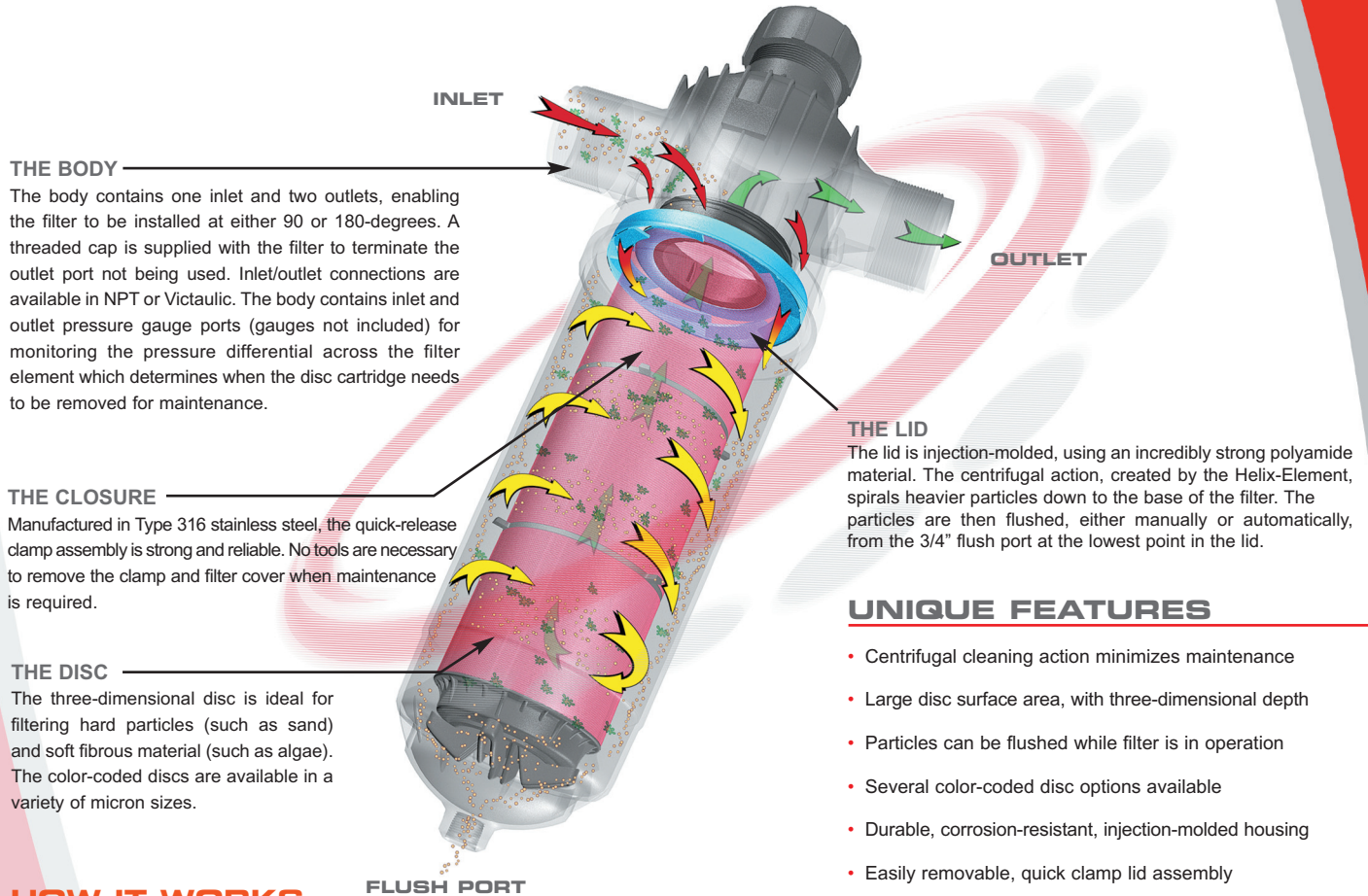




MTD SERIES

Miller Leaman's Helix Disc filter models are available in three different sizes: 2", 2" Super and 3" model. The filters can be installed in any orientation; however, it is preferable to install them in the inverted position (3/4" flush port at bottom). This helps the filtration system work at it's optimum. As water enters the filter housing, a high velocity centrifugal action occurs, spiraling heavier particles (sand, sediment etc.) away from the disc cartridge, down to the base of the filter. These accumulated particles are then flushed from the filter via the 3/4" flush port connection at the base of the filter (valve not included).



THE BODY
The body contains one inlet and two outlets, enabling the filter to be installed at either 90 or 180-degrees. A threaded cap is supplied with the filter to terminate the outlet port not being used. Inlet/outlet connections are available in NPT or Victaulic. The body contains inlet and outlet pressure gauge ports (gauges not included) for monitoring the pressure differential across the filter element which determines when the disc cartridge needs to be removed for maintenance.

THE CLOSURE
Manufactured in Type 316 stainless steel, the quick-release clamp assembly is strong and reliable. No tools are necessary to remove the clamp and filter cover when maintenance is required.

THE DISC
The three-dimensional disc is ideal for filtering hard particles (such as sand) and soft fibrous material (such as algae). The color-coded discs are available in a variety of micron sizes.

THE LID
The lid is injection-molded, using an incredibly strong polyamide material. The centrifugal action, created by the Helix-Element, spirals heavier particles down to the base of the filter. The particles are then flushed, either manually or automatically, from the 3/4" flush port at the lowest point in the lid.

UNIQUE FEATURES

- Centrifugal cleaning action minimizes maintenance
- Large disc surface area, with three-dimensional depth
- Particles can be flushed while filter is in operation
- Several color-coded disc options available
- Durable, corrosion-resistant, injection-molded housing
- Easily removable, quick clamp lid assembly
- Pressure gauge ports molded into housing

HOW IT WORKS

1. Dirty water enters the filter housing through the inlet connection.
2. As dirty water passes through the Helix-Element, the water starts to spin at high velocity. This centrifugal action spins the particles away from the disc media, minimizing manual cleaning frequency.
3. As particles are spun down to the base of the filter, they are flushed via the 3/4" female threaded flush port connection.
4. The dirty water passes from the outside to the inside of the discs. The grooves, molded into the surface of the three-dimensional discs, trap the remaining contaminants in the water.
5. After passing through the discs, the filtered water flows upward and exits the filter through one of the outlets. The outlet not being used is terminated with a threaded cap.





MTD SERIES

TECHNICAL DATA

Flow Rates for a Single Filter Housing

- 2"/100 GPM Max.*
- 2" Super/100 GPM Max.*
- 3"/200 GPM Max.*

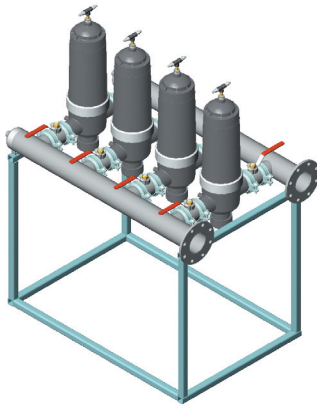
Multiple pods are manifolded for higher flow rates
 * Maximum flow rates should be derated for high solids loading, particularly for finer disc media.

Pressure Rating

All units rated to 125 PSI

Temperature Rating

All units rated to 140° F



Please contact your dealer about modular capabilities.

Inlet/Outlet Configurations

2" and 3" models available with NPT and/or Victaulic inlet/outlet connections
 In-line and 90-degree configurations standard
 (Filter is supplied with a cap for outlet port not being used)

Construction Materials

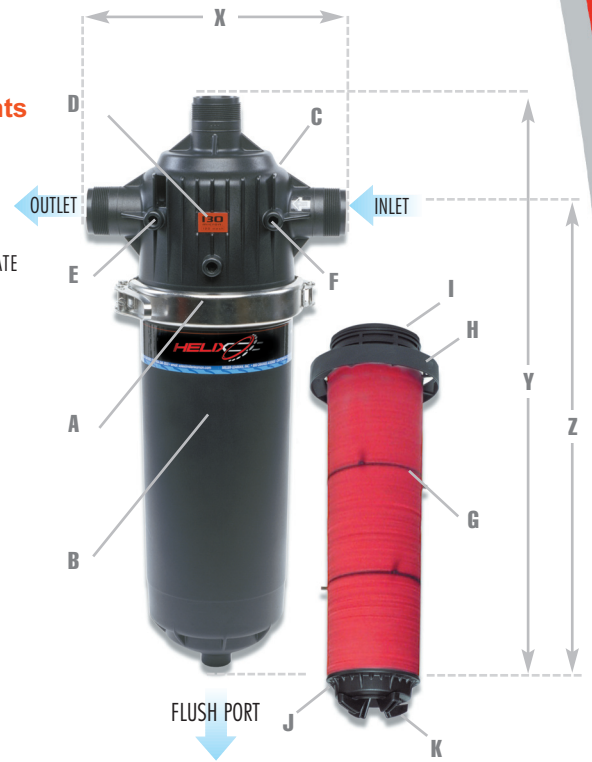
- Housing: Polyamide
- Discs: Polypropylene
- Gaskets: EPDM
- Filter Pod Clamp: Stainless Steel (Type 316)

Micron Options Available

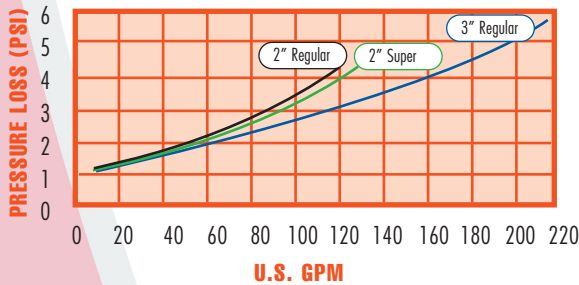
- 200 Micron (80 Mesh)
- 100 Micron (150 Mesh)
- 130 Micron (120 Mesh)

Filter Components

- A. BAND-CLAMP ASSEMBLY
- B. REMOVABLE FILTER LID
- C. FILTER BODY
- D. MICRON/MESH DATA PLATE
- E. OUTLET GAUGE PORT (GAUGE NOT INCLUDED)
- F. INLET GAUGE PORT (GAUGE NOT INCLUDED)
- G. FILTER DISC CARTRIDGE
- H. HELIX-ELEMENT
- I. O-RING SEAL
- J. CARTRIDGE COVER PLATE
- K. THREADED WING BOLT
- X. SEE TABLE BELOW
- Y. SEE TABLE BELOW
- Z. SEE TABLE BELOW



PRESSURE LOSS THROUGH SINGLE FILTER HOUSING



MODEL NUMBER	MODEL TYPE	INLET/OUTLET SIZE & TYPE	FILTER SURFACE AREA (SQ. IN.)	FLUSH PORT CONNECTION SIZE	MAXIMUM FLOW (GPM)	MAXIMUM PRESSURE RATING (PSI)	X	Y (SEE DIAGRAM ABOVE)	Z
MTD -2NA*	Regular	2"/NPT	186	3/4"	100	125 PSI	12 1/8"	24 1/8"	18"
MTD -2SA*	Super	2"/NPT	263	3/4"	100	125 PSI	12 1/8"	28 3/4"	22 15/16"
MTD -3NA*	Regular	3"/NPT	263	3/4"	200	125 PSI	13 1/4"	30"	22 15/16"
MTD -2NW*	Regular	2" /Victaulic	186	3/4"	100	125 PSI	12 1/8"	24 1/8"	18"
MTD -2SW*	Super	2" /Victaulic	263	3/4"	100	125 PSI	12 1/8"	28 3/4"	22 15/16"
MTD -3NW*	Regular	3" /Victaulic	263	3/4"	200	125 PSI	13 1/4"	30"	22 15/16"

* 100, 130, & 200 micron options available. Please specify disc size when ordering. Example: MTD-2SA - 130 = 2" NPT Super with 130 - micron discs.

** Disc cartridges for 2" regular models (MTD-2NA and MTD-2NW) and 2" super models (MTD-2SA and MTD-2SW) vary in size. The cartridge for the 2" regular models is 15.5" in height; The cartridge for the 2" super models is 20.5" in height. This means that the 2" super models have approximately 40% more surface area for filtration (186 sq. inches vs. 263 sq. inches).