



WALRUS

MULTISTAGE CENTRIFUGAL PUMP

Immersible Pumps

TPHK 2/4/8/12T 60Hz



Walrus America Inc

ISO 9001 Certified



Applications

The WALRUS TPHK Series is vertical multistage centrifugal pump, designed for industrial use, specially for machine tools. It is suitable to carry fluids such as water, coolant, light oil and other clean, non aggressive matters for:

- Industrial circulation system
- Washing/cleaning system
- Filtration system

Pumps

Submersible vertical multistage centrifugal pump, self-priming, one straight shaft between motor and pump, impellers mounted on extended motor shaft. Main working parts made by stainless steel.

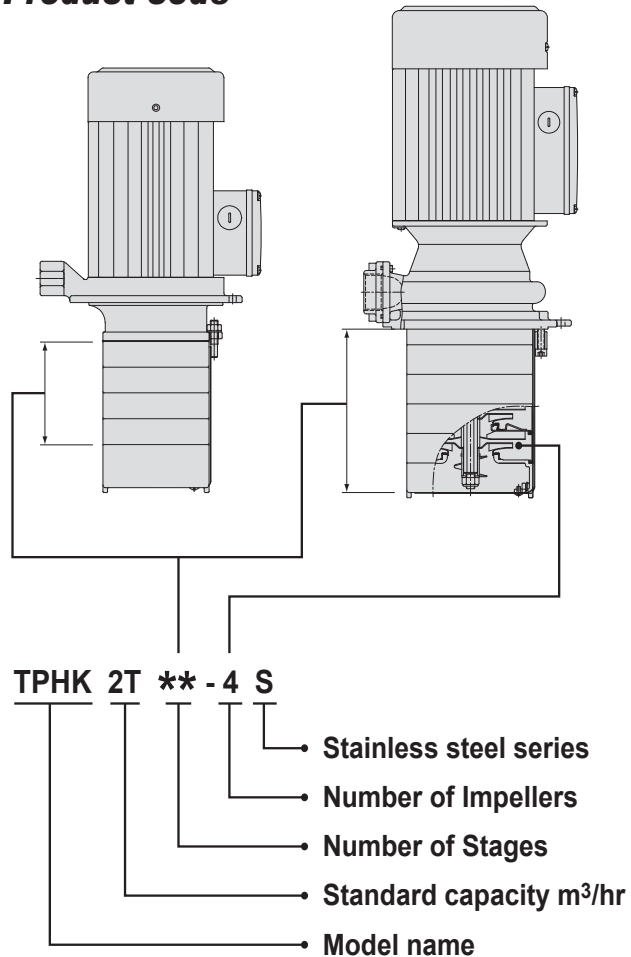
Motors

Nominal speed :3500 rpm at 60Hz
 Standard voltage : 3 phase : 230 / 460V
 Protection class: IP54
 Insulation class: F.

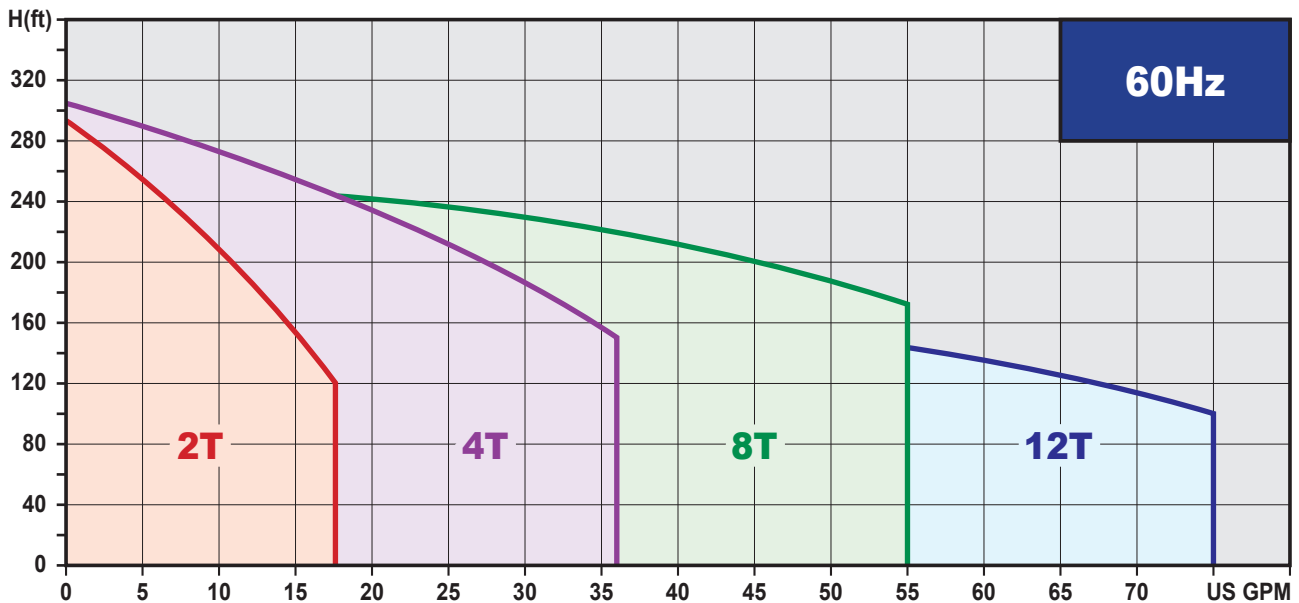
Operating Limits

Ambient temperature :Max. 104°F (40°C)
 Liquid temperature range :32°F (0°C) to 194°F (90°C)
 Flow: 10 GPM to 75 GPM
 Head: 20ft to 280ft
 Operating pressure :Max. 142 psi
 Submerged depth :Min. 2.6"

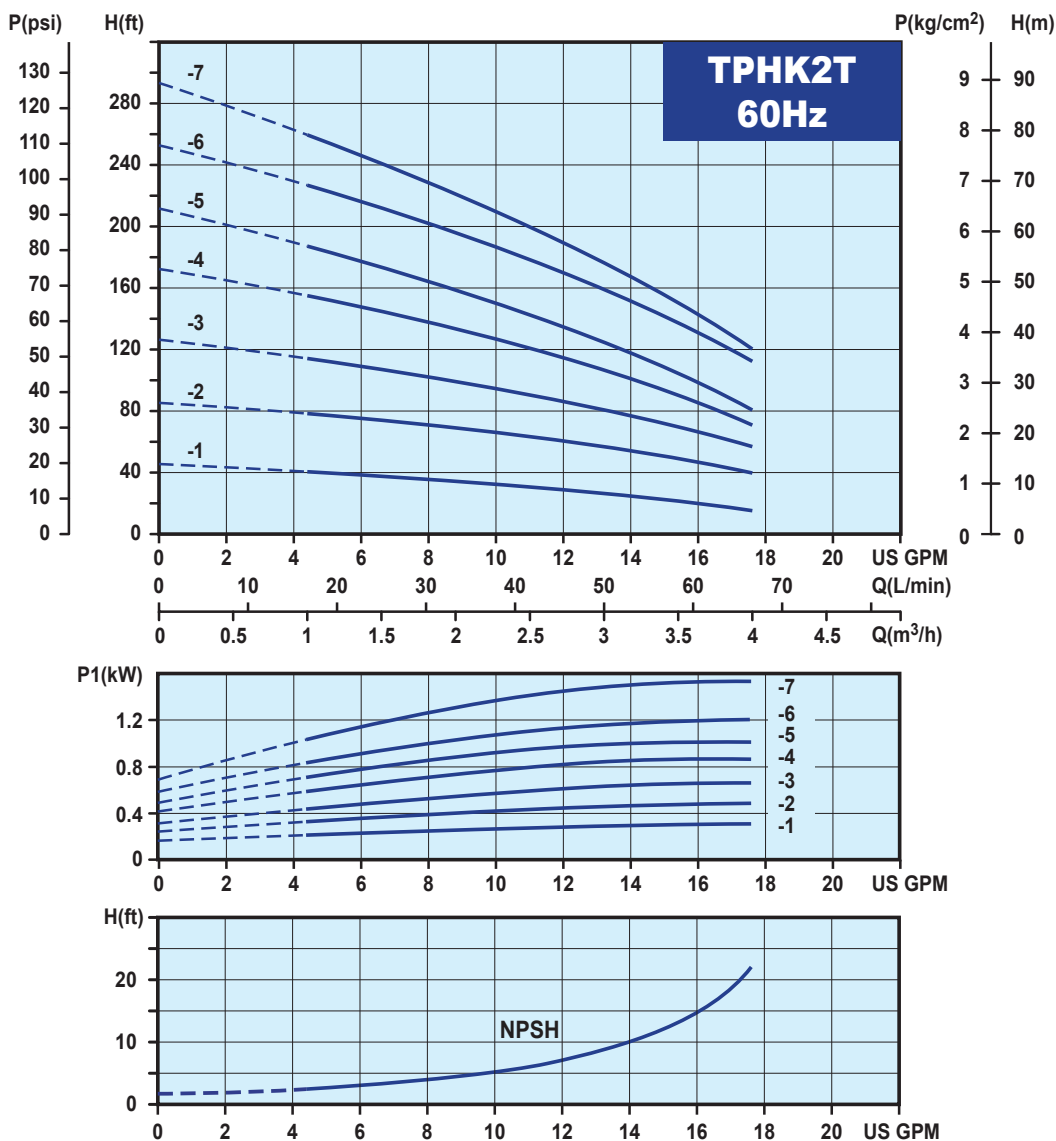
Product code



Performance curves



Performance curves

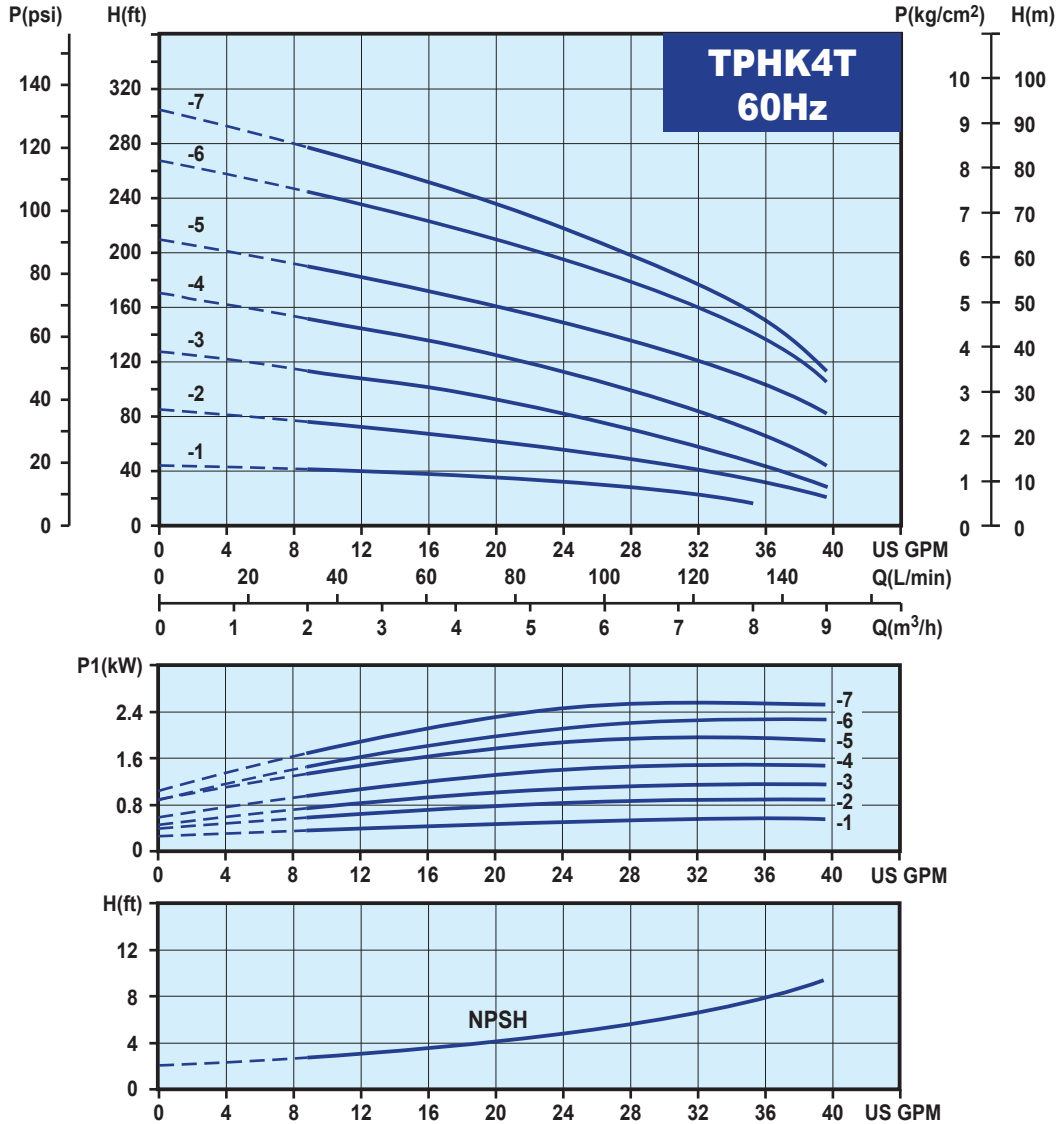


Electrical data, 3Ø 60Hz , 3500rpm

Model	Power (HP)	S.F.	Volts (V)	Ampere (A)
TPHK 2T ** -1	½	1.9	230 / 460	3.1 / 1.6
TPHK 2T ** -2	½	1.9	230 / 460	3.1 / 1.6
TPHK 2T ** -3	½	1.9	230 / 460	3.1 / 1.6
TPHK 2T ** -4	½	1.9	230 / 460	3.1 / 1.6
TPHK 2T ** -5	¾	1.9	230 / 460	4.2 / 2.1
TPHK 2T ** -6	¾	1.9	230 / 460	4.2 / 2.1
TPHK 2T ** -7	1	1.9	230 / 460	5.2 / 2.6

** = Number of Stages, maximum 11 stages.

Performance curves

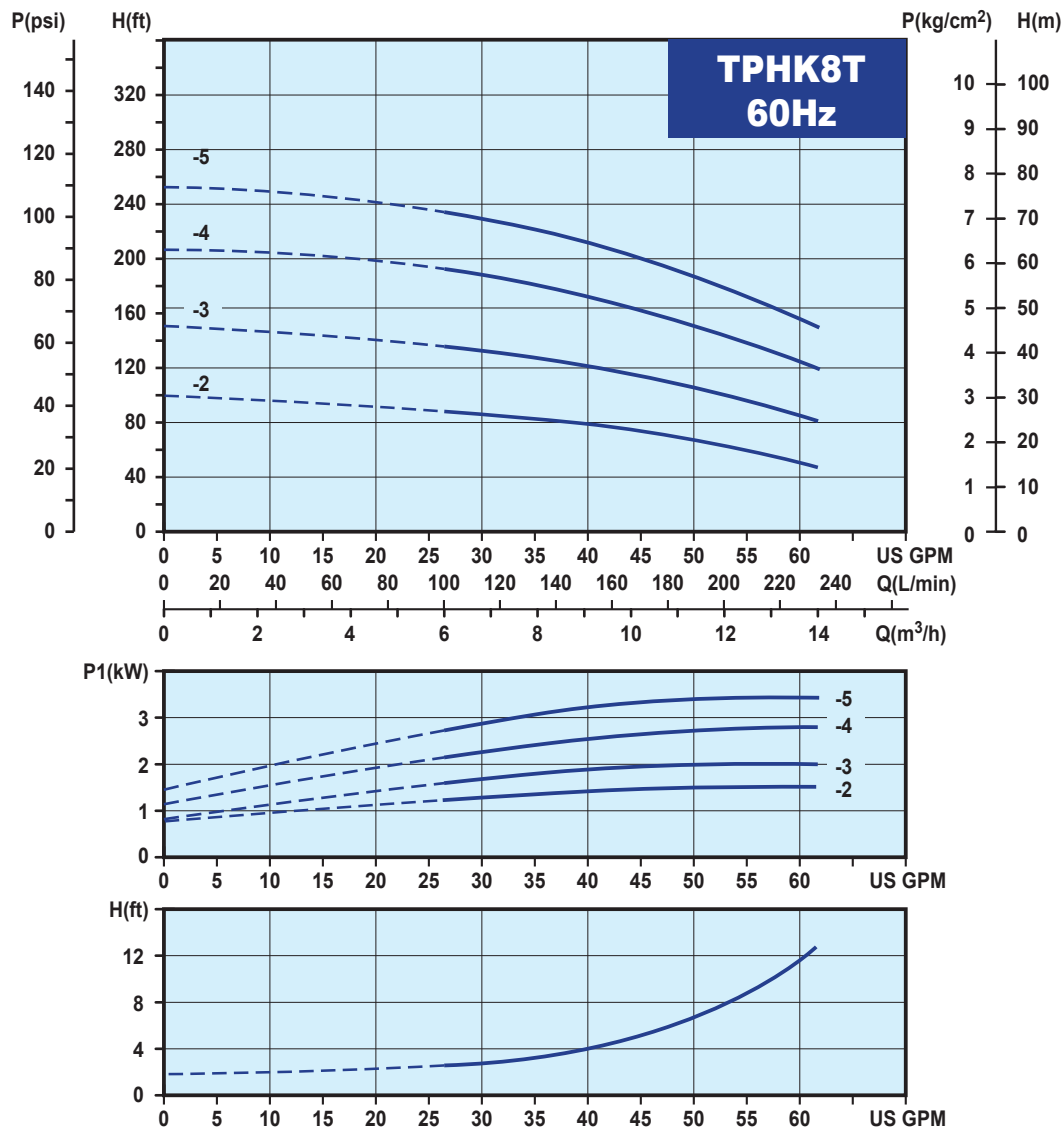


Electrical data, 3Ø 60Hz , 3500rpm

Model	Power (HP)	S.F.	Volts (V)	Ampere (A)
TPHK 4T ** -1	½	1.9	230 / 460	3.1 / 1.6
TPHK 4T ** -2	½	1.9	230 / 460	3.1 / 1.6
TPHK 4T ** -3	¾	1.9	230 / 460	4.2 / 2.1
TPHK 4T ** -4	1	1.9	230 / 460	5.2 / 2.6
TPHK 4T ** -5	1½	1.5	230 / 460	7.4 / 3.7
TPHK 4T ** -6	2	1.9	230 / 460	11.6 / 5.8
TPHK 4T ** -7	2	1.9	230 / 460	11.6 / 5.8

** = Number of Stages, maximum 8 stages.

Performance curves

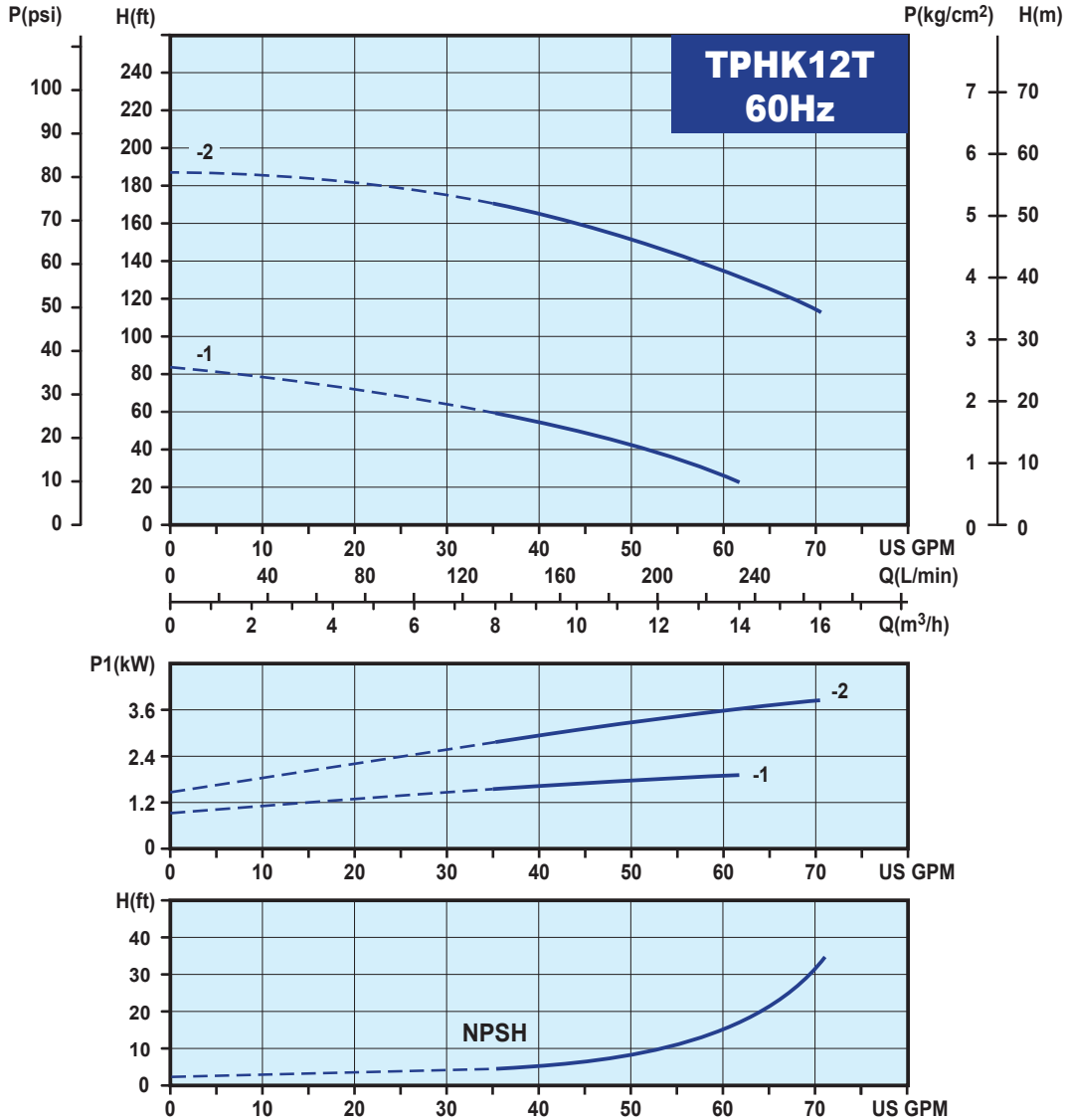


Electrical data, 3Ø 60Hz , 3500rpm

Model	Power (HP)	S.F.	Volts (V)	Ampere (A)
TPHK 8T ** -2	1½	1.6	230 / 460	7.4 / 3.7
TPHK 8T ** -3	1½	1.6	230 / 460	7.4 / 3.7
TPHK 8T ** -4	3	1.5	230 / 460	12.6 / 6.3
TPHK 8T ** -5	3	1.5	230 / 460	12.6 / 6.3

** = Number of Stages, maximum 9 stages.

Performance curves

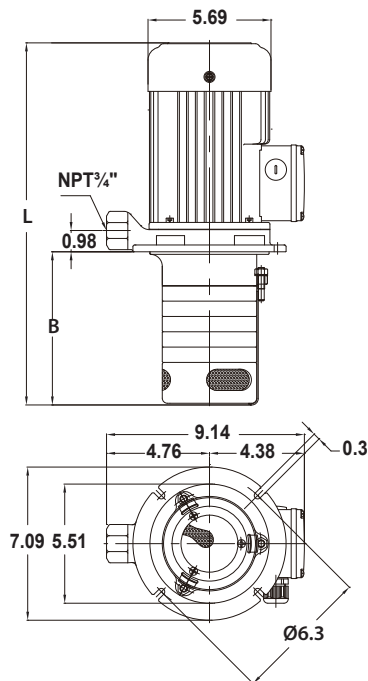


Electrical data, 3Ø 60Hz , 3500rpm

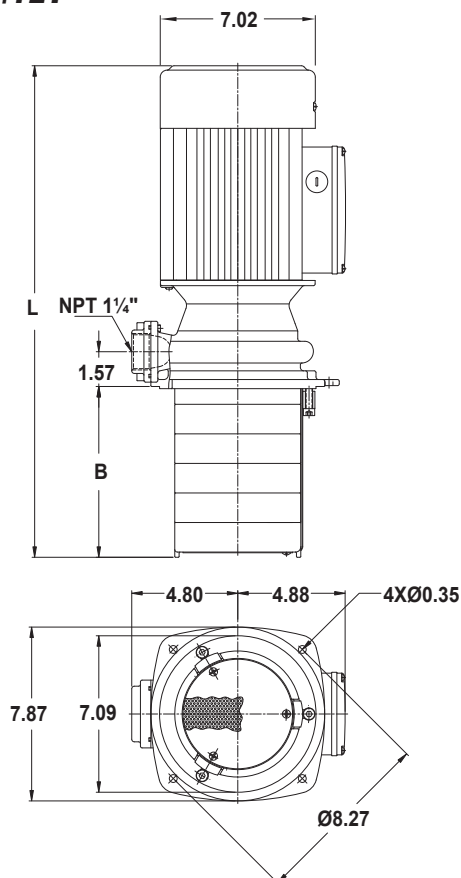
Model	Power (HP)	S.F.	Volts (V)	Ampere (A)
TPHK 12T **-1	1½	1.6	230 / 460	7.4 / 3.7
TPHK 12T **-2	3	1.5	230 / 460	12.6 / 6.3

**= Number of Stages, maximum 9 stages.

TPHK 2T14T



TPHK 8T12T

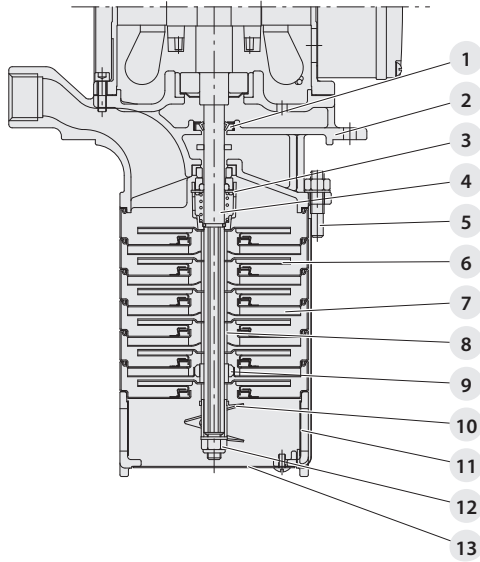


Dimensions and Weights

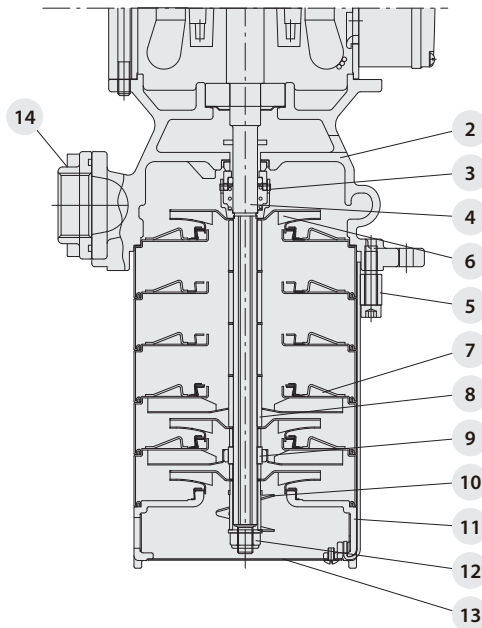
Model	B (in.)	L (in.)	N.W.(lbs)
TPHK 2T 3 -1	5.87	113.786	24.0
TPHK 2T 8 -1	9.25	117.330	26.2
TPHK 2T 3 -2	5.87	113.786	24.5
TPHK 2T 5 -2	7.09	155.203	25.4
TPHK 2T 9 -2	9.98	168.031	27.1
TPHK 2T 3 -3	5.87	113.786	24.7
TPHK 2T 4 -3	6.32	114.487	25.1
TPHK 2T 5 -3	7.09	155.203	25.6
TPHK 2T 6 -3	7.89	155.919	26.0
TPHK 2T 8 -3	9.25	117.330	26.9
TPHK 2T11-3	11.38	119.463	27.8
TPHK 2T 4 -4	6.32	114.487	25.4
TPHK 2T 6 -4	7.89	155.919	26.2
TPHK 2T 5 -5	7.09	166.775	28.0
TPHK 2T 6 -5	7.89	117.466	29.3
TPHK 2T 6 -6	7.89	117.510	29.8
TPHK 2T 8 -6	9.25	119.219	30.6
TPHK 2T 9 -6	9.98	119.920	31.1
TPHK 2T10-6	10.63	210.63	31.3
TPHK 2T11-6	11.38	21.34	31.7
TPHK 2T 7 -7	8.58	118.510	28.7
TPHK 4T 2 -1	5.87	113.786	23.8
TPHK 4T 3 -1	6.73	114.892	24.3
TPHK 4T 2 -2	5.87	113.786	24.3
TPHK 4T 3 -2	6.73	114.892	24.7
TPHK 4T 4 -2	7.89	115.919	25.1
TPHK 4T 6 -2	9.98	118.031	25.6
TPHK 4T 3 -3	6.73	116.420	25.8
TPHK 4T 4 -3	7.89	117.466	26.2
TPHK 4T 5 -3	8.80	118.552	26.7
TPHK 4T 6 -3	9.98	119.619	27.1
TPHK 4T 8 -3	12.09	211.731	28.0
TPHK 4T 4 -4	7.89	117.466	29.3
TPHK 4T 5 -4	8.80	118.552	29.8
TPHK 4T 6 -4	9.98	119.619	30.2
TPHK 4T 5 -5	8.80	118.552	30.6
TPHK 4T 8 -5	12.09	211.731	32.0
TPHK 4T 6 -6	9.98	211.103	31.1
TPHK 4T 8 -6	12.09	223.231	32.2
TPHK 4T 7 -7	10.98	222.115	32.2
TPHK 4T 8 -7	12.09	223.231	32.6
TPHK 8T 6 -2	7.83	222.386	52.9
TPHK 8T 9 -2	11.75	226.288	55.8
TPHK 8T 3 -3	3.72	118.285	50.7
TPHK 8T 6 -3	7.83	222.386	53.6
TPHK 8T 9 -3	11.75	226.288	56.4
TPHK 8T 4 -4	5.08	119.619	59.5
TPHK 8T 6 -4	7.83	222.386	61.7
TPHK 8T 5 -5	6.48	210.033	61.7
TPHK12T 6 -1	7.83	222.386	59.5
TPHK12T 6 -2	7.83	222.386	63.9
TPHK12T 9 -2	11.75	226.288	67.2

Sectional drawing

TPHK 2T/4T



TPHK 8T/12T



Materials

NO.	Part name	Material	
		Standard	S series
1	Oil Seal	NBR	
2	Pump Casing	FCD 45	SUS 304
3	Mechanical Seal	HSSV (SiC / SiC / Viton)	
4	Shaft	SUS 304	
5	Strap	SUS 304	
6	Impeller	SUS 304	
7	Intermediate chamber	SUS 304	
8	Sleeve	SUS 304	
9	Bearing	2T / 4T : SiC 8T/12T : Tungsten carbide	
10	Priming screw	SUS 304	
11	Suction interconnector	SUS 304	
12	Lock Nut	SUS 316	
13	Filter	SUS 304	
14	Flange	SUS 304	



Walrus America Inc

20220 Hempstead Road, Suite #30, Houston, TX 77065

Phone: 281-955-8035 Fax: 281-955-8037

Web: www.walrusamerica.com