



**MULTISTAGE CENTRIFUGAL PUMP**

## **Immersible Pumps**

---

**TPCK 2T / 4T 60Hz**



**Walrus America Inc**

**ISO 9001 Certified**





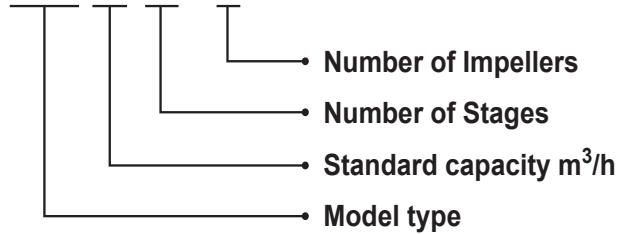
## Applications

The WALRUS TPCK Series are vertical multistage centrifugal pumps, designed for industrial use, specially for machine tools, to carry non-aggressive liquids such as water, coolant, light oil, etc.

- Industrial circulation system
- Washing/cleaning system
- Filtration system

## Product code

TPCK 2T \*\* - 13



## Pumps

Immersible vertical multistage centrifugal pump, self-priming, coupling connection between pump and motor, stainless steel construction design ensures corrosion-free operation.

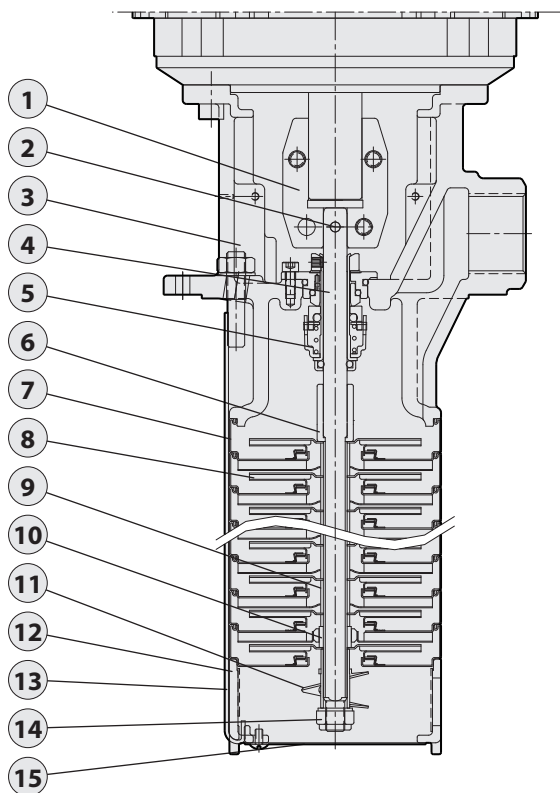
## Motors

Nominal speed :3450 rpm at 60Hz  
 Standard voltage : 3 phase : 230 / 460V  
 Protection class: IP54  
 Insulation class: F.

## Operating Limits

Ambient temperature :Max. 104°F (40°C)  
 Liquid temperature range :32°F (0°C) to 194°F (90°C)  
 Flow: 4 GPM to 48 GMP  
 Head: 40ft to 850ft  
 Operating pressure :Max. 427 psi  
 Submerged depth :Min. 2.6"

## Sectional drawing



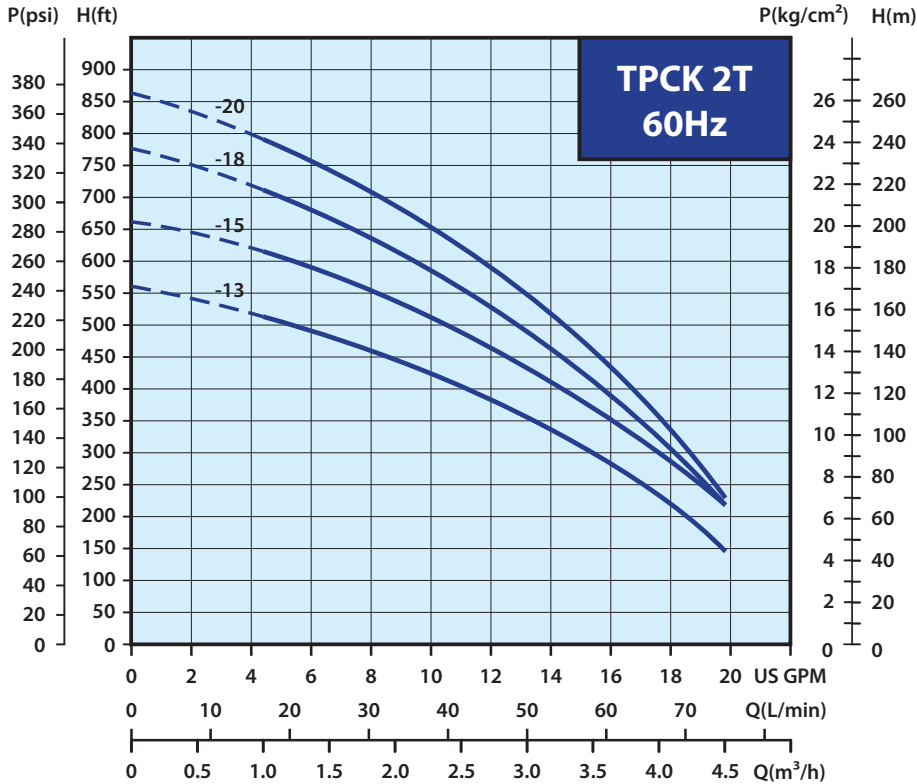
## Materials

| No. | Part name                  | Material                |
|-----|----------------------------|-------------------------|
| 1   | Coupling                   | SUS 304                 |
| 2   | Spring Pin                 | SUS 304                 |
| 3   | Pump Casing                | Cast iron FCD 45        |
| 4   | Shaft                      | SUS 304                 |
| 5   | Mechanical Seal            | Tungsten Carbide + HNBR |
| 6   | Sleeve                     | SUS 304                 |
| 7   | Intermediate Chamber       | SUS 304                 |
| 8   | Impeller                   | SUS 304                 |
| 9   | Sleeve (impeller)          | SUS 304                 |
| 10  | Bearing                    | Tungsten Carbide        |
| 11  | Priming Screw              | SUS 304                 |
| 12  | Suction Intercon-nectector | SUS 304                 |
| 13  | Strap                      | SUS 304                 |
| 14  | Lock Nut                   | SUS 316                 |
| 15  | Filter                     | SUS 304                 |

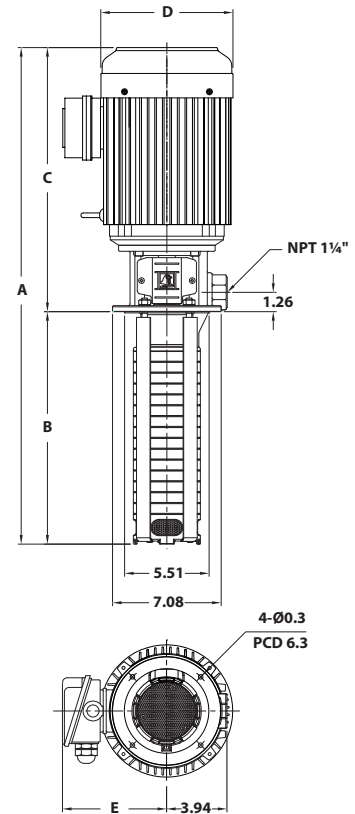




## Performance curves



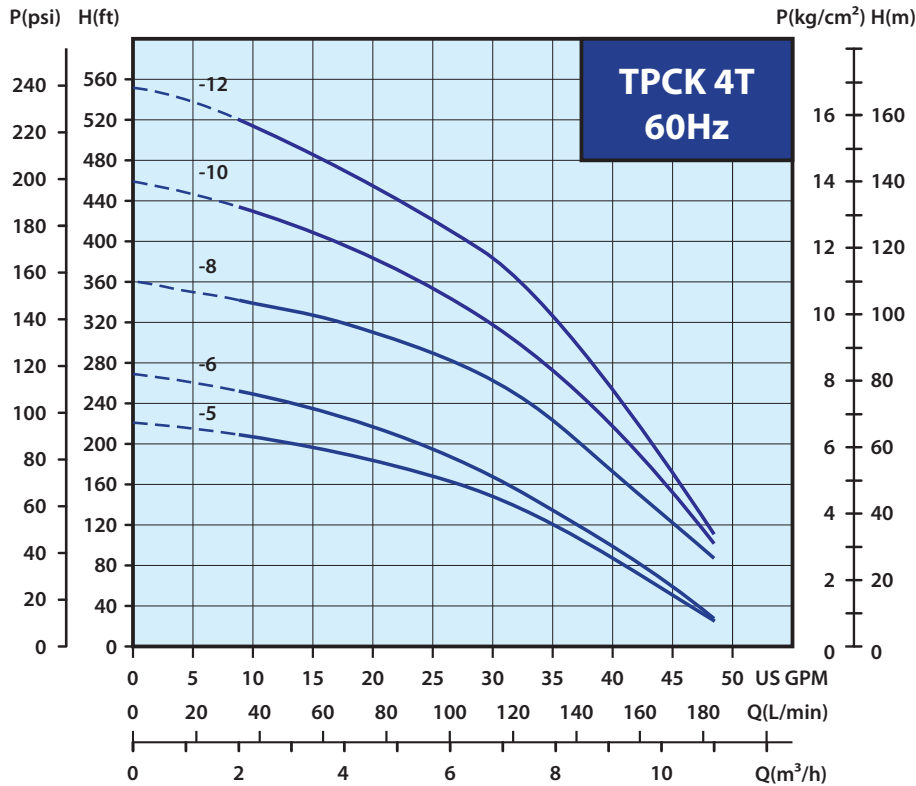
## Dimensions (in.)



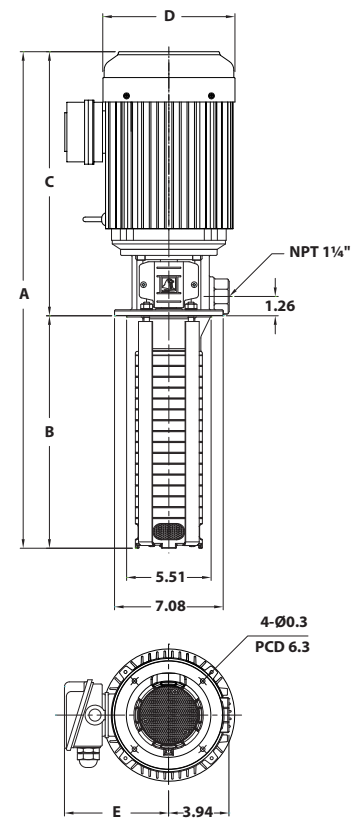
## Electrical data, 60Hz , 3450rpm

| Model        | PH (Ø) | Power (kW) | Volts (V) | Ampere (A) | Dimensions (in.) |       |       |      |      | N.W. (lb) |
|--------------|--------|------------|-----------|------------|------------------|-------|-------|------|------|-----------|
|              |        |            |           |            | A                | B     | C     | D    | E    |           |
| TPCK2T 13-13 | 3      | 3.0        | 230 / 460 | 9.9 / 4.9  | 31.18            | 13.74 | 17.44 | 8.62 | 6.81 | 95.4      |
| TPCK2T 15-15 | 3      | 3.0        | 230 / 460 | 9.9 / 4.9  | 32.60            | 15.16 | 17.44 | 8.62 | 6.81 | 95.8      |
| TPCK2T 18-18 | 3      | 4.0        | 230 / 460 | 14.3 / 7.1 | 34.72            | 17.28 | 17.44 | 8.62 | 6.81 | 97.4      |
| TPCK2T 20-20 | 3      | 4.0        | 230 / 460 | 14.3 / 7.1 | 36.14            | 18.70 | 17.44 | 8.62 | 6.81 | 100.2     |
| TPCK2T 22-20 | 3      | 4.0        | 230 / 460 | 14.3 / 7.1 | 37.56            | 20.12 | 17.44 | 8.62 | 6.81 | 104.2     |
| TPCK2T 26-20 | 3      | 4.0        | 230 / 460 | 14.3 / 7.1 | 40.39            | 22.95 | 17.44 | 8.62 | 6.81 | 105.3     |

## Performance curves



## Dimensions (in.)



## Electrical data, 60Hz , 3450rpm

| Model        | PH<br>(Ø) | Power<br>(kW) | Volts<br>(V) | Ampere<br>(A) | Dimensions (in.) |       |       |      |      | N.W.<br>(lb) |
|--------------|-----------|---------------|--------------|---------------|------------------|-------|-------|------|------|--------------|
|              |           |               |              |               | A                | B     | C     | D    | E    |              |
| TPCK4T 5 - 5 | 3         | 2.2           | 230 / 460    | 7.7 / 3.8     | 24.61            | 9.84  | 14.76 | 6.89 | 5.59 | 60.4         |
| TPCK4T 6 - 6 | 3         | 2.2           | 230 / 460    | 7.7 / 3.8     | 25.67            | 10.91 | 14.76 | 6.89 | 5.59 | 61.0         |
| TPCK4T 8 - 8 | 3         | 3.0           | 230 / 460    | 9.9 / 4.9     | 30.47            | 13.03 | 17.44 | 8.62 | 6.81 | 91.9         |
| TPCK4T 10-10 | 3         | 4.0           | 230 / 460    | 14.3 / 7.1    | 32.60            | 15.16 | 17.44 | 8.62 | 6.81 | 94.9         |
| TPCK4T 12-12 | 3         | 4.0           | 230 / 460    | 14.3 / 7.1    | 34.72            | 17.28 | 17.44 | 8.62 | 6.81 | 97.4         |
| TPCK4T 14-12 | 3         | 4.0           | 230 / 460    | 14.3 / 7.1    | 36.85            | 19.41 | 17.44 | 8.62 | 6.81 | 95.8         |
| TPCK4T 16-12 | 3         | 4.0           | 230 / 460    | 14.3 / 7.1    | 38.98            | 21.54 | 17.44 | 8.62 | 6.81 | 97.1         |
| TPCK4T 17-12 | 3         | 4.0           | 230 / 460    | 14.3 / 7.1    | 40.04            | 22.60 | 17.44 | 8.62 | 6.81 | 99.1         |
| TPCK4T 19-12 | 3         | 4.0           | 230 / 460    | 14.3 / 7.1    | 42.17            | 24.72 | 17.44 | 8.62 | 6.81 | 98.7         |
| TPCK4T 22-12 | 3         | 4.0           | 230 / 460    | 14.3 / 7.1    | 45.35            | 27.91 | 17.44 | 8.62 | 6.81 | 100.7        |



## Walrus America Inc

20220 Hempstead Road, Suite #30, Houston, TX 77065

Phone: 281-955-8035 Fax: 281-955-8037

Web: [www.walrusamerica.com](http://www.walrusamerica.com)