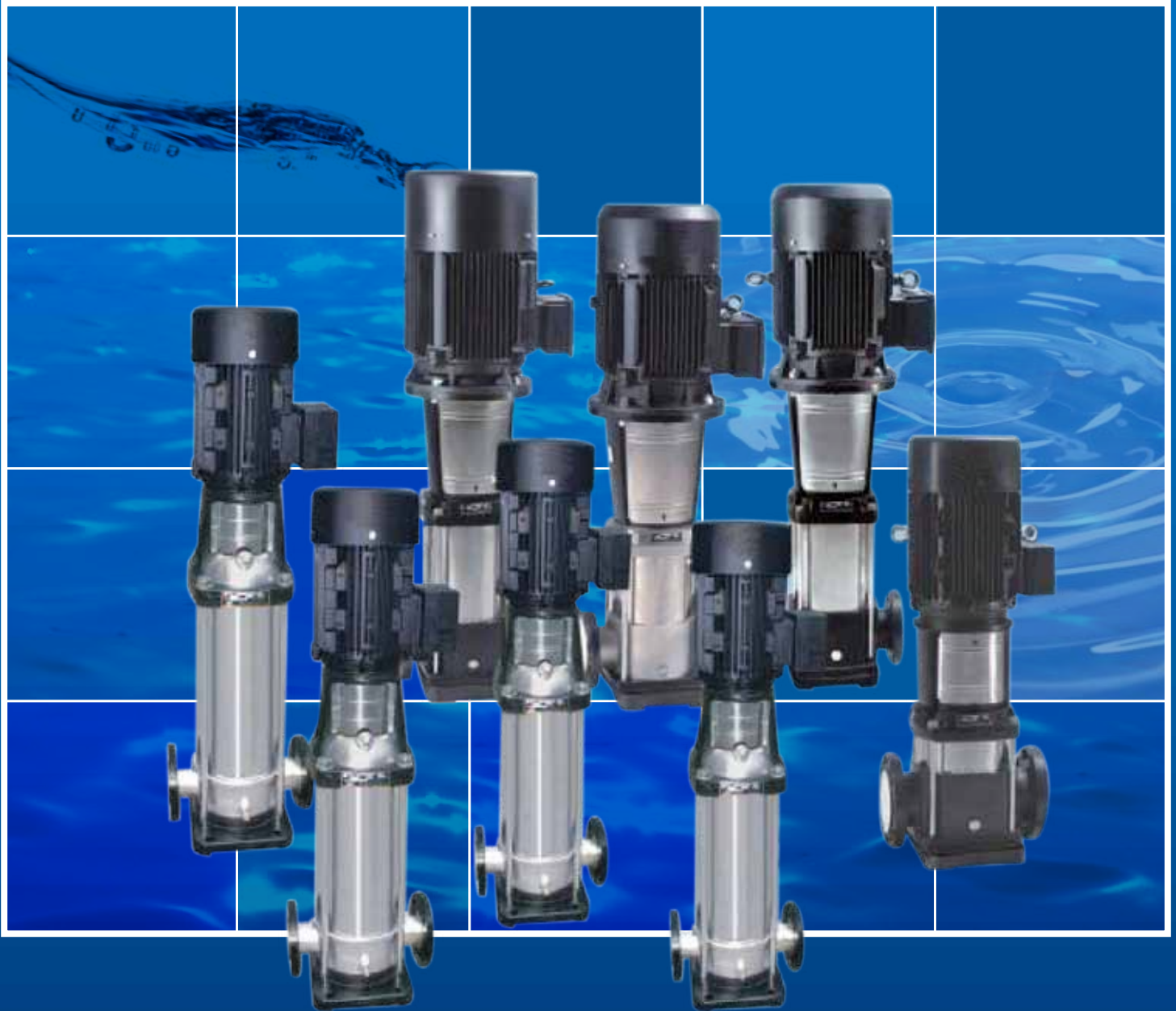


# SLR Series

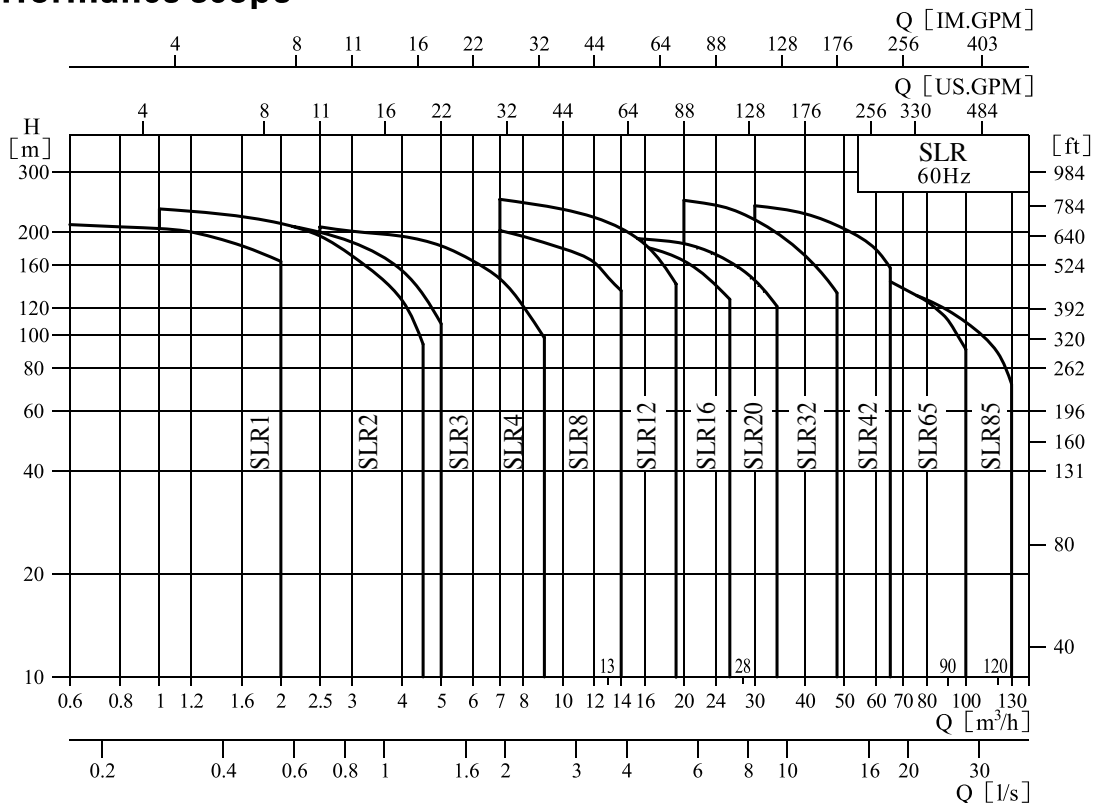
## Light Vertical Multistage Centrifugal Pump



## Contents

<b>General Data</b>	
Performance scope	3
Product range	3
Pump	4
Max. inlet pressure	5
Max. working pressure	6
ANSI Counter Flange Dimension	6
Curve illustration	7
Performance curve	7
Min. inlet pressure NPSH	8
Operation in parallel	8
Material	9 - 11
<b>Technical Data</b>	
SLR 1	12
SLR 2	14
SLR 3	16
SLR 4	18
SLR 8	20
SLR 12	22
SLR 15	24
SLR 20	26
SLR 32	28
SLR 42	30
SLR 65	32
SLR 85	34

● Performance scope



● Product range

Description	SLR1	SLR2	SLR3	SLR4	SLR8	SLR12	SLR16	SLR20	SLR32	SLR42	SLR65	SLR85
Rated flow [m³/h]	1	2	3	4	8	12	16	20	32	42	65	85
Rated flow [l/s]	0.28	0.56	0.83	1.1	2.2	3.3	4.4	5.6	8.9	11.7	18	24
Flow range [m³/h]	0.6-2	1-4.5	1.5-5	2.5-9	7-14	7-19	10-26	12-34	20-48	30-65	40-100	60-130
Flow range [l/s]	0.17-0.56	0.28-1.25	0.42-1.4	0.7-2.5	1.9-3.9	1.9-5.3	2.8-7.2	3.3-9.4	5.5-13.3	8.3-18	11.1-27.7	16.7-36.1
Max.pressure [bar]	22	23.5	23	21	20	25	20	20	25	26	18	15
Motor power [kW]	0.37-3	0.55-4	0.37-4	0.75-5.5	0.75-11	1.1-15	2.2-18.5	2.2-18.5	3-30	5.5-45	7.5-45	11-45
Temperature range [°C]	-15~+120											
Max. efficiency [%]	44	46	54	59	64	63	66	69	76	78	80	81
Type												
SLR	●	●	●	●	●	●	●	●	●	●	●	●
SLR-S/N	●	●	●	●	●	●	●	●	●	●	●	●
SLR Pipe connection												
ANSI Flange	1¼"	1¼"	1¼"	1¼"	2"	2"	2"	2"	2½"	3"	4"	4"
Oval Flange	G1	G1	G1	G1¼	G1½							
SLR-S/N Pipe connection												
ANSI Flange	1¼"	1¼"	1¼"	1¼"	2"	2"	2"	2"	2½"	3"	4"	4"
Cutting ferrule joint	●	●	●	●	●	●	●	●				
Pipe thread	●	●	●	●	●	●	●	●				

## ● Pump

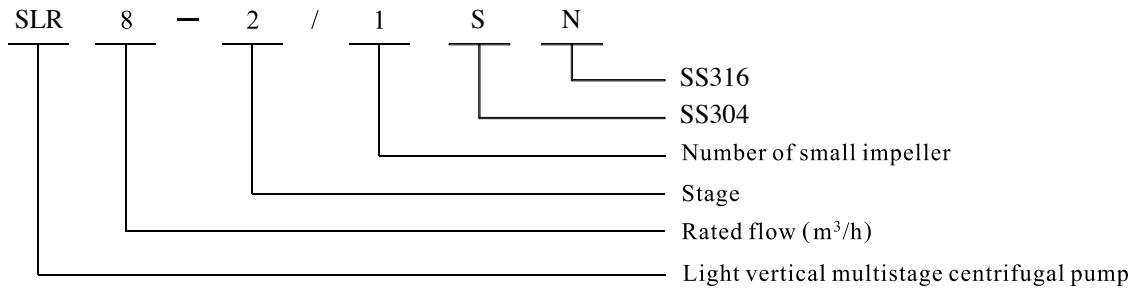
SLR (SLR-S/N) is a kind of vertical non-self priming multistage centrifugal pump, which is driven by a standard electric motor. The motor output shaft directly connects with the pump shaft through a coupling. The pressure-resistant cylinder and flow passage components are fixed between pump head and inlet & outlet section with tie-bar bolts. The inlet and outlet are located at the pump bottom at the same plane. This kind of pump can be equipped with an intelligent protector to effectively prevent it from dry-running, out-of-phase and overload.

## ● Motor

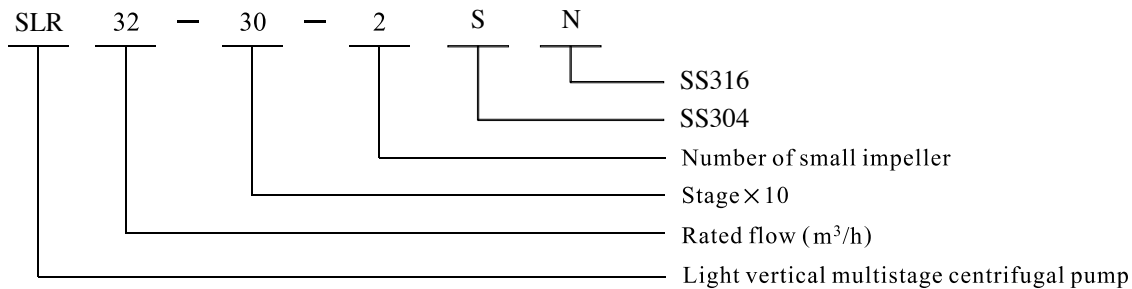
- Full-enclosed air-blast two-pole standard motor
- Protection class: IP55
- Insulation class: F
- Standard voltage: 60Hz: 3 × 200-230 / 346-400V  
3 × 200-255 / 380-440V  
3 × 200-277 / 380-480V

## ● Definition of Model

SLR 1,2,3,4,8,12,16 and 20



SLR 32,42,65 and 85



## ● Application

SLR (SLR-S/N) is a kind of multifunctional product. It can be used to convey various medium from tap water to industrial liquid at different temperature and with different flow rate and pressure. SLR type is applicable to conveying non-corrosive liquid, while SLR-S/N is suitable for slightly corrosive liquid.

- Water supply: Water filter and transport in Waterworks, boosting of main pipeline, boosting in high-rise buildings.
- Industrial boosting: Process flow water system, cleaning system, high-pressure washing system, fire fighting system.
- Industrial liquid conveying: Cooling and air-conditioning system, boiler water supply and condensing system, machine-associated purpose, acids and alkali.
- Water treatment: Ultrafiltration system, reverse osmosis system, distillation system, separator, swimming pool.
- Irrigation: Farmland irrigation, spray irrigation, dripping irrigation.

## ● Operation conditions

- Thin, clean, non-flammable and non-explosive liquid containing no solid granules and fibers.
- Liquid temperature:  
Normal temperature type: -15°C ~ +70°C,  
Hot water type: +70°C ~ +120°C
- Ambient temperature: up to +40°C
- Altitude: up to 1000m



## ● Max inlet pressure

The maximum inlet pressure is shown in the table below. But the actual inlet pressure plus the valve close pressure of the pump shall be lower than the max. allowable working pressure.

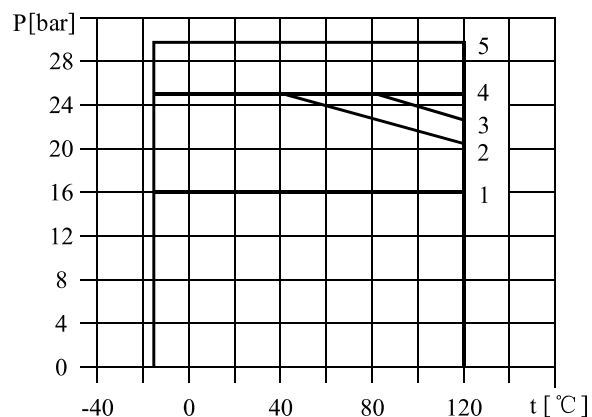
Model	Max inlet pressure
<b>SLR1</b>	
1-2~1-6	6[bar]
1-7~1-25	10[bar]
<b>SLR2</b>	
2-2	6[bar]
2-3~2-7	10[bar]
2-9~2-18	15[bar]
<b>SLR3</b>	
3-2~3-5	6[bar]
3-6~3-19	10[bar]
3-20~3-25	15[bar]
<b>SLR4</b>	
4-2	6[bar]
4-3~4-8	10[bar]
4-10~4-16	15[bar]
<b>SLR8</b>	
8-2/1~8-5	6[bar]
8-6~8-14	10[bar]
<b>SLR12</b>	
12-2/1~12-4	6[bar]
12-5~12-14	10[bar]
<b>SLR16</b>	
16-2/1~16-2	6[bar]
16-3~16-10	10[bar]
<b>SLR20</b>	
20-1~20-2	6[bar]
20-3~20-10	10[bar]

Model	Max inlet pressure
<b>SLR32</b>	
32-10-1~32-30-2	4[bar]
32-30~32-70	10[bar]
32-80-2~32-100-2	15[bar]
<b>SLR42</b>	
42-10-1~42-20-2	4[bar]
42-20~42-40-2	10[bar]
42-40~42-70	15[bar]
<b>SLR65</b>	
65-10-1~65-20-2	4[bar]
65-20~65-30-2	10[bar]
65-30~65-50-2	15[bar]
<b>SLR85</b>	
85-10-1~85-10	4[bar]
85-20-2~85-20	10[bar]
85-30-2~85-40-2	15[bar]

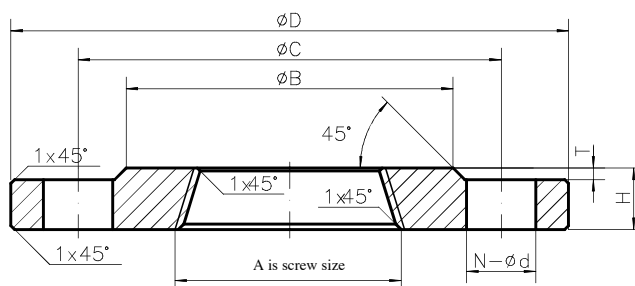
## ● Max working pressure

Model	Curve number
<b>SLR1</b>	
1-2~1-17	1
1-19~1-25	2
<b>SLR2</b>	
2-2~2-11	1
2-13~2-18	2
<b>SLR3</b>	
3-2~3-15	1
3-17~3-25	2
<b>SLR4</b>	
4-2~4-10	1
4-12~4-16	2
<b>SLR8</b>	
8-2/1~8-8	1
8-10~8-14	3
<b>SLR12</b>	
12-2/1~12-7	1
12-8~12-14	3
<b>SLR16</b>	
16-2~16-6	1
16-7~16-10	3
<b>SLR20</b>	
20-1~20-4	1
20-5~20-10	3
<b>SLR32</b>	
32-10-1~32-50-2	1
32-50~32-90-2	4
32-90~32-100-2	5
<b>SLR42</b>	
42-10-1~42-30	1
42-40-2~42-60	4
42-70-2~42-70	5
<b>SLR65</b>	
65-10-1~65-30	1
65-40-2~65-50-2	4
<b>SLR85</b>	
85-10-1~85-30	1
85-40-2	4

The following figure shows the limitation of pressure and temperature, which shall be kept within the region as shown in the figure.

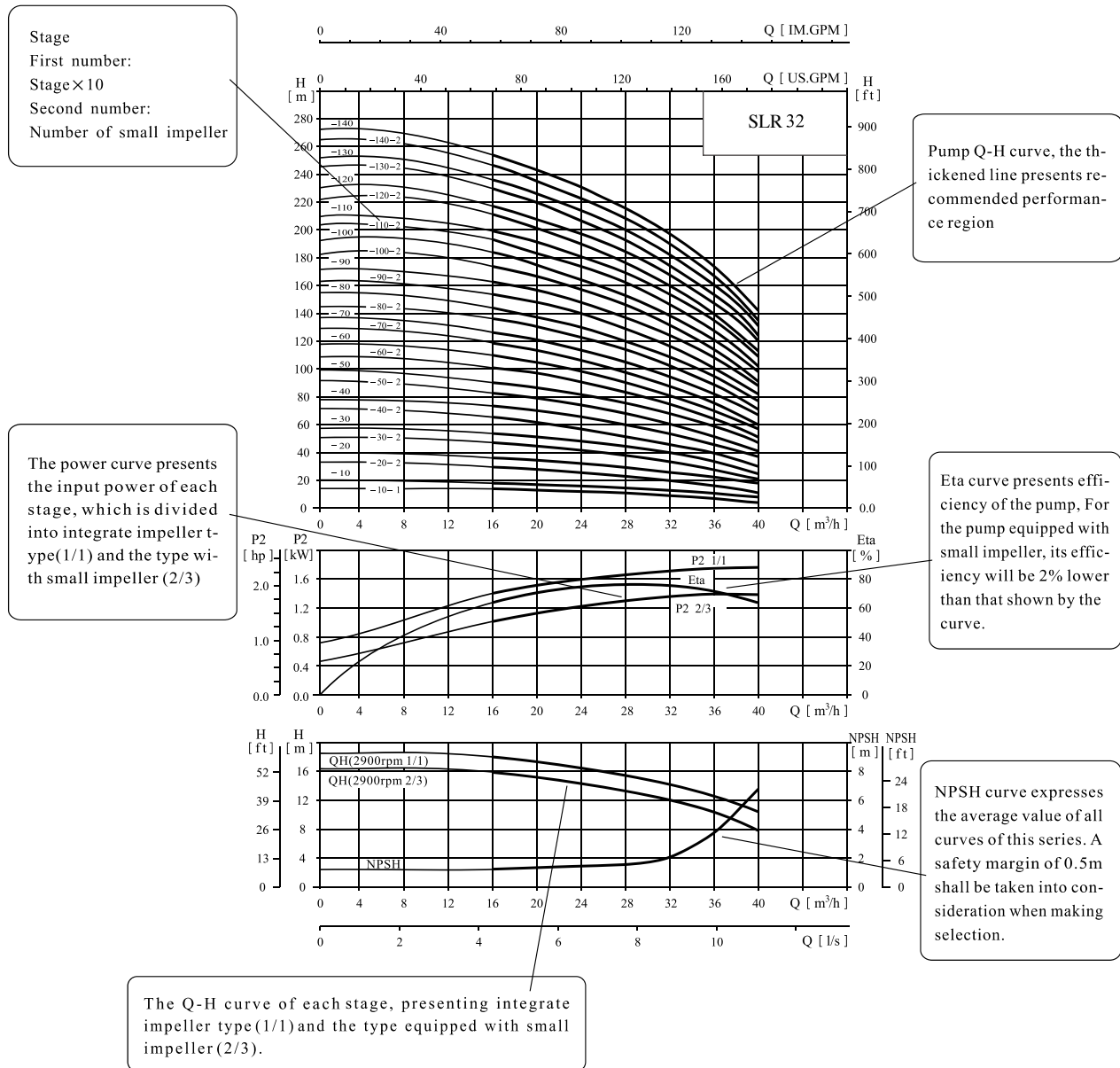


## ● ANSI Counter Flange Dimension



Size	A	ØB	ØC	ØD	N-Ød	T	H
DN 32	NPT 1¼	63.5	98.4	135	4-18	2	17.5
DN 50	NPT 2	92.1	127	165	8-18	2	20.7
DN 65	NPT 2½	104.8	149.2	190	8-22	2	23.9
DN 80	NPT 3	127	168.3	210	8-22	2	27
DN100	NPT 4	157.2	200	255	8-22	2	30.2
DN125	NPT 5	185.7	235	380	8-22	2	33.4
DN150	NPT 6	215.9	269.9	320	12-22	2	35

## ● Curve illustration



## ● Performance curve

Following conditions are suitable for the performance curves shown below:

- 1、 All curves are based on the measured values of 50Hz: constant motor speed 2900r/min, 60Hz: constant motor speed 3500 r/min;
- 2、 Curve tolerance in conformity with ISO9906 Annex A.

3、 Measurement is done with 20°C air-free water, kinematic viscosity of 1mm<sup>2</sup>/sec.

4、 The operation of pump shall refer to the performance region indicated by the thickened curve to prevent overheating due to too small flow rate or overload of motor due to too large flow rate.

## ● Minimum inlet pressure NPSH

In case that the pressure in pump is lower than the steam pressure used to convey liquid, the cavitations will occur. To avoid cavitations, a minimum pressure at the inlet side of the pump shall be guaranteed. The maximum suction stroke can be calculated with following formula:

$$H = P_b \times 10.2 - NPSH - H_f - H_v - H_s$$

$P_b$  = atmosphere pressure [bar]

(can be set as 1bar)

In a closed system,  $P_b$  means system pressure [bar]

NPSH = Net positive suction head [m]

(It can be read out from the point of possible max.

flow rate shown on NPSH curve)

$H_f$  = Pipeline loss at the inlet [m]

$H_v$  = Steam pressure [m]

$H_s$  = Safety margin = Minimum 0.5m delivery head

If the calculated result  $H$  is positive, the pump may run under the max. Suction stroke  $H$ .

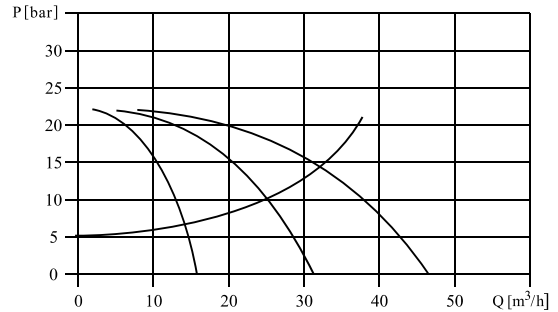
In case the calculated result  $H$  is negative, a delivery head of min. Inlet pressure is necessary.

## ● Operation in parallel

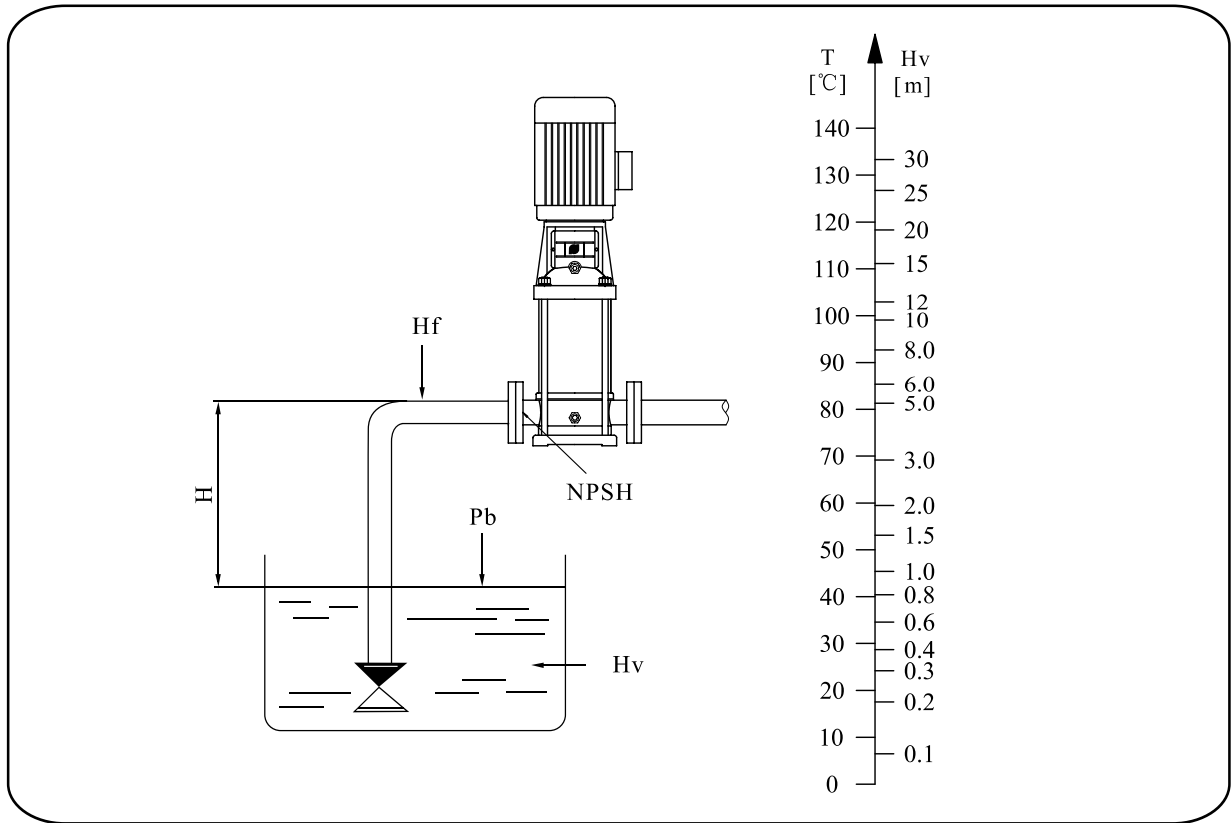
Connecting several pumps in parallel running will benefit much more than running a single large pump.

- Applicable to different working states necessary in a variable flow system.

- Increasing the possibility of water supply when the pump is in failure. Because in case of pump failure, only part of the system flow is effected.

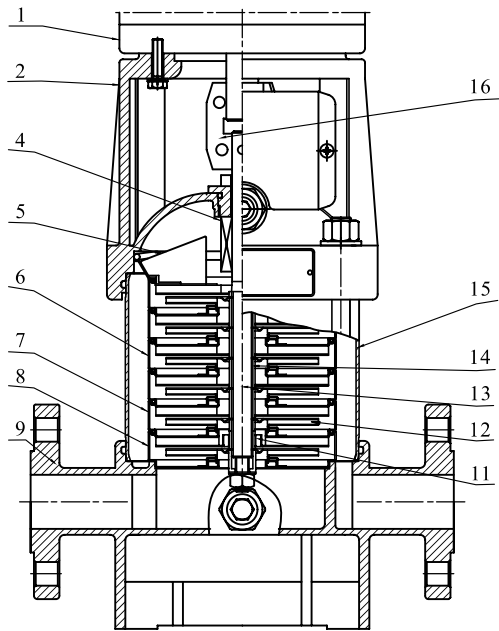


Two pumps or more can be connected in parallel running if necessary.

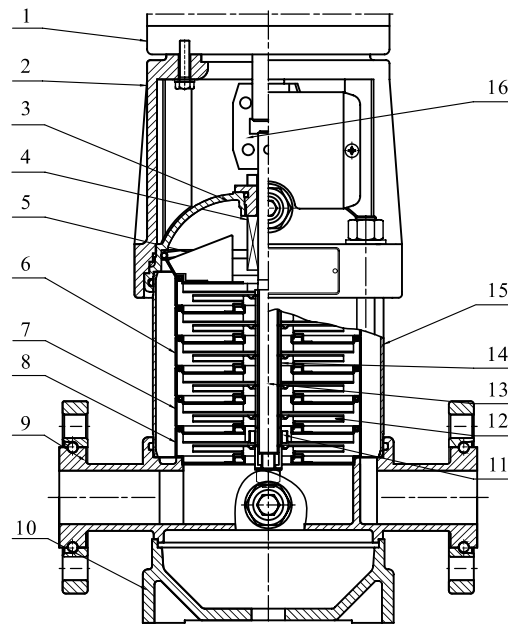


Check and ensure that the pump is not at cavitations state.

● Section drawing SLR1,2,3,4



SLR



SLR-S

● Material SLR 1,2,3,4

NO.	Name	Material	AISI/ASTM
1	Motor		
2	Pump head	Cast iron	ASTM25B
4	Mechanical seal		
5	Top diffuser	Stainless steel	AISI304
6	Diffuser	Stainless steel	AISI304
7	Support diffuser	Stainless steel	AISI304
8	Inducer	Stainless steel	AISI304
11	Bearing	Tungsten carbide	
12	Impeller	Stainless steel	AISI304
13	Shaft	Stainless steel	AISI304 AISI316

NO.	Name	Material	AISI/ASTM
14	Impeller sleeve	Stainless steel	AISI304
15	Cylinder	Stainless steel	AISI304
16	Coupling	Carbon steel	

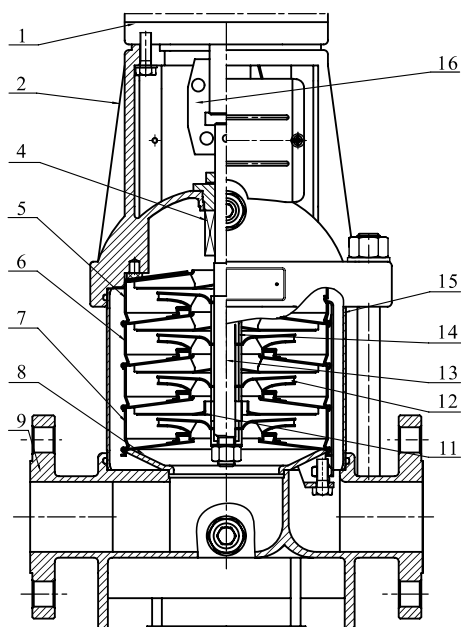
SLR-S

3	Seal base	Stainless steel	AISI304
9	Inlet and outlet chamber	Stainless steel	AISI304
10	Base plate	Cast iron	ASTM25B

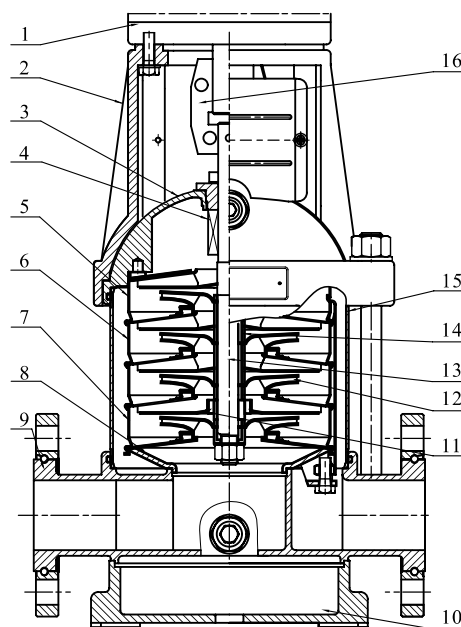
SLR

9	Inlet and outlet chamber	Cast iron	ASTM25B
---	--------------------------	-----------	---------

● Section drawing SLR 8,12,16,20



SLR



SLR-S

● Material SLR 8,12,16,20

NO.	Name	Material	AISI/ASTM
1	Motor		
2	Pump head	Cast iron	ASTM25B
4	Mechanical seal		
5	Top diffuser	Stainless steel	AISI304
6	Diffuser	Stainless steel	AISI304
7	Support diffuser	Stainless steel	AISI304
8	Inducer	Stainless steel	AISI304
11	Bearing	Tungsten carbide	
12	Impeller	Stainless steel	AISI304
13	Shaft	Stainless steel	AISI304 AISI316

NO.	Name	Material	AISI/ASTM
14	Impeller sleeve	Stainless steel	AISI304
15	Cylinder	Stainless steel	AISI304
16	Coupling	Carbon steel	

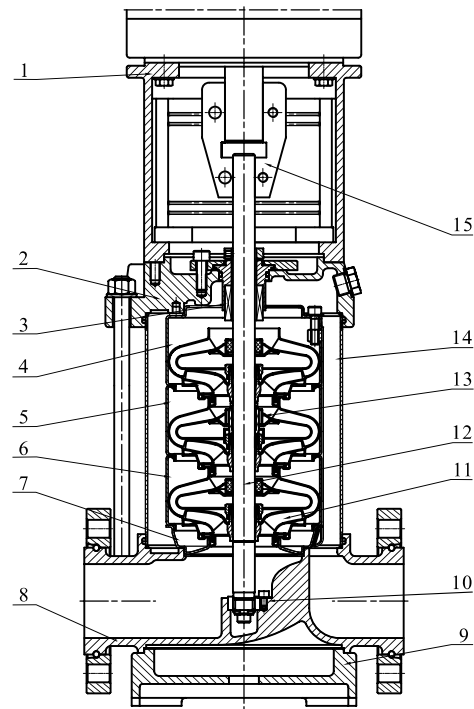
SLR-S

3	Seal base	Stainless steel	AISI304
9	Inlet and outlet chamber	Stainless steel	AISI304
10	Base plate	Cast iron	ASTM25B

SLR

9	Inlet and outlet chamber	Cast iron	ASTM25B
---	--------------------------	-----------	---------

● Section drawing SLR 32,42,65,85



● Material SLR 32,42,65,85

NO.	Name	Material	AISI/ASTM
1	Bracket	Cast iron	ASTM25B
3	Mechanical seal		
4	Top diffuser	Stainless steel	AISI304
5	Support diffuser	Stainless steel	AISI304
6	Diffuser	Stainless steel	AISI304
7	Inducer	Stainless steel	AISI304
9	Base plate	Cast iron	ASTM25B
10	Bottom bearing	Tungsten carbide	
11	Impeller	Stainless steel	AISI304

NO.	Name	Material	AISI/ASTM
12	Shaft	Stainless steel	AISI316 AISI304
13	Intermediate bearing	Tungsten carbide	
14	Cylinder	Stainless steel	AISI304
15	Coupling	Carbon steel	
	Rubber parts	NBR	

SLR

2	Pump head	Cast iron	ASTM25B
8	Inlet and outlet chamber	Cast iron	ASTM25B

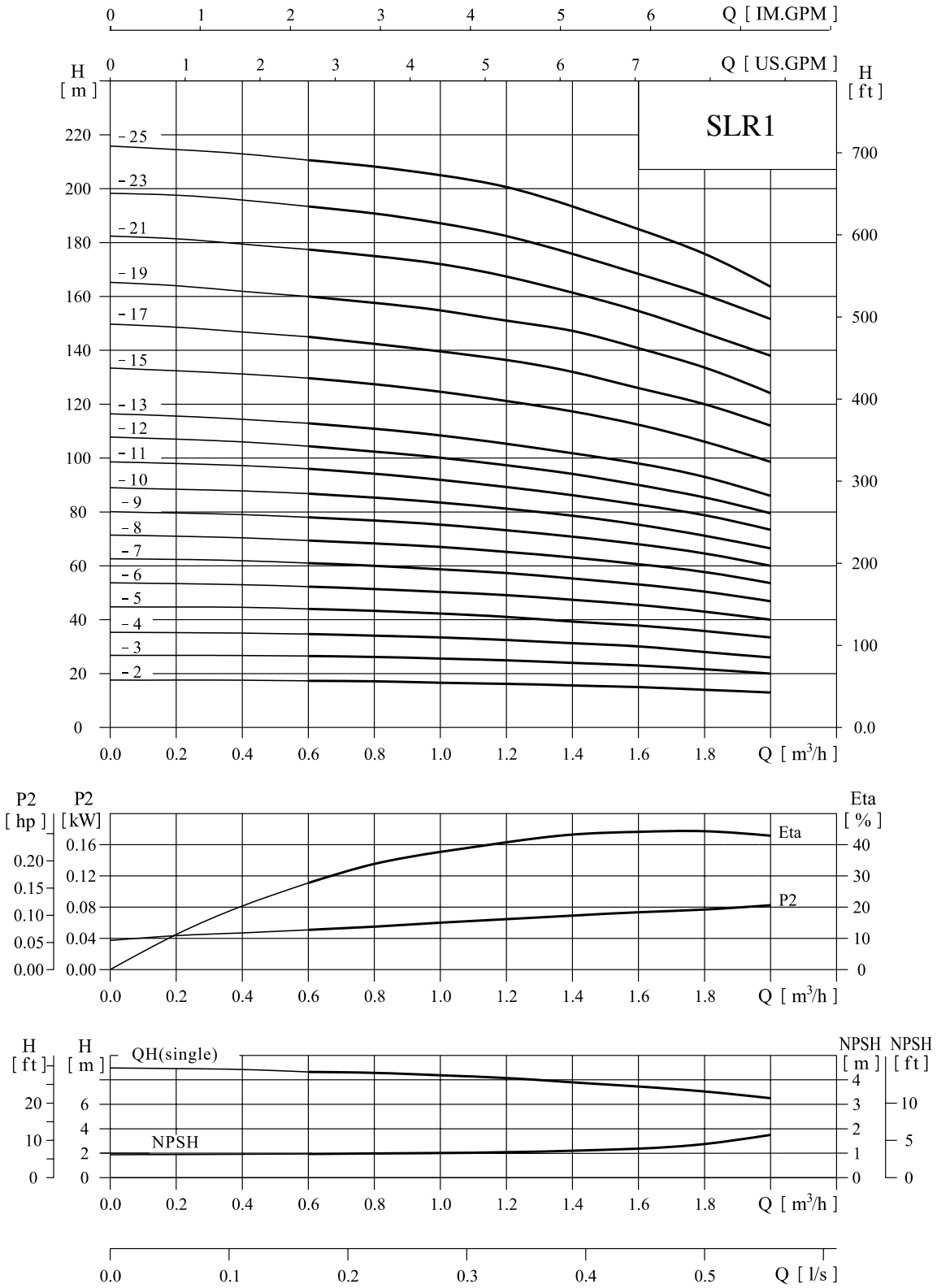
SLR-S

2	Pump head	Stainless steel	AISI304
8	Inlet and outlet chamber	Stainless steel	AISI304



● Performance curve

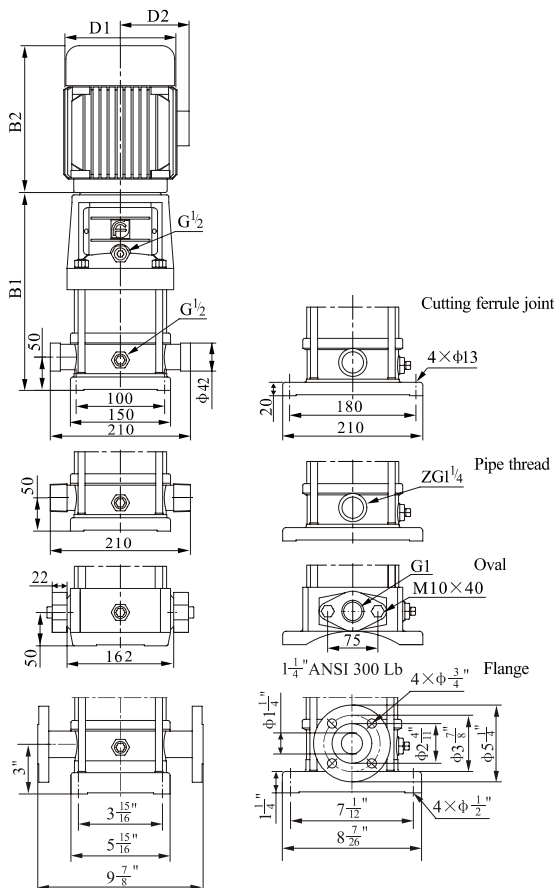
ISO9906 Annex A 3500rpm



## ● Performance table

Model	Driving motor		Q (m <sup>3</sup> /h)	0.6	0.8	1	1.2	1.4	1.6	1.8	2
	(kW)	(hp)									
SLR1-2	0.37	0.5	H (m)	17.5	17	16.5	16	15.5	15	14	13
SLR1-3	0.37	0.5		26.5	26	25	24	23	22	21	20
SLR1-4	0.37	0.5		35	34	33	32	31	30	28	26
SLR1-5	0.55	0.75		43	42	41	40	39	38	35	33
SLR1-6	0.55	0.75		52	51	50	48	47	45	43	39
SLR1-7	0.75	1		60	59	58	56	55	52	50	46
SLR1-8	0.75	1		68	67	65	64	62	59	57	53
SLR1-9	0.75	1		76	75	74	73	71	66	64	60
SLR1-10	1.1	1.5		85	84	83	81	78	74	72	67
SLR1-11	1.1	1.5		95	93	90	87	85	81	78	73
SLR1-12	1.1	1.5		103	102	98	96	92	88	86	79
SLR1-13	1.1	1.5		112	110	107	105	100	95	93	86
SLR1-15	1.5	2		127	125	123	121	117	112	107	99
SLR1-17	1.5	2		144	141	139	137	132	124	120	112
SLR1-19	2.2	3		160	157	155	153	147	141	134	124
SLR1-21	2.2	3		177	174	172	168	162	153	147	138
SLR1-23	2.2	3		193	190	188	184	174	167	161	152
SLR1-25	3	4		210	207	205	202	192	184	176	164

## ● Installation sketch



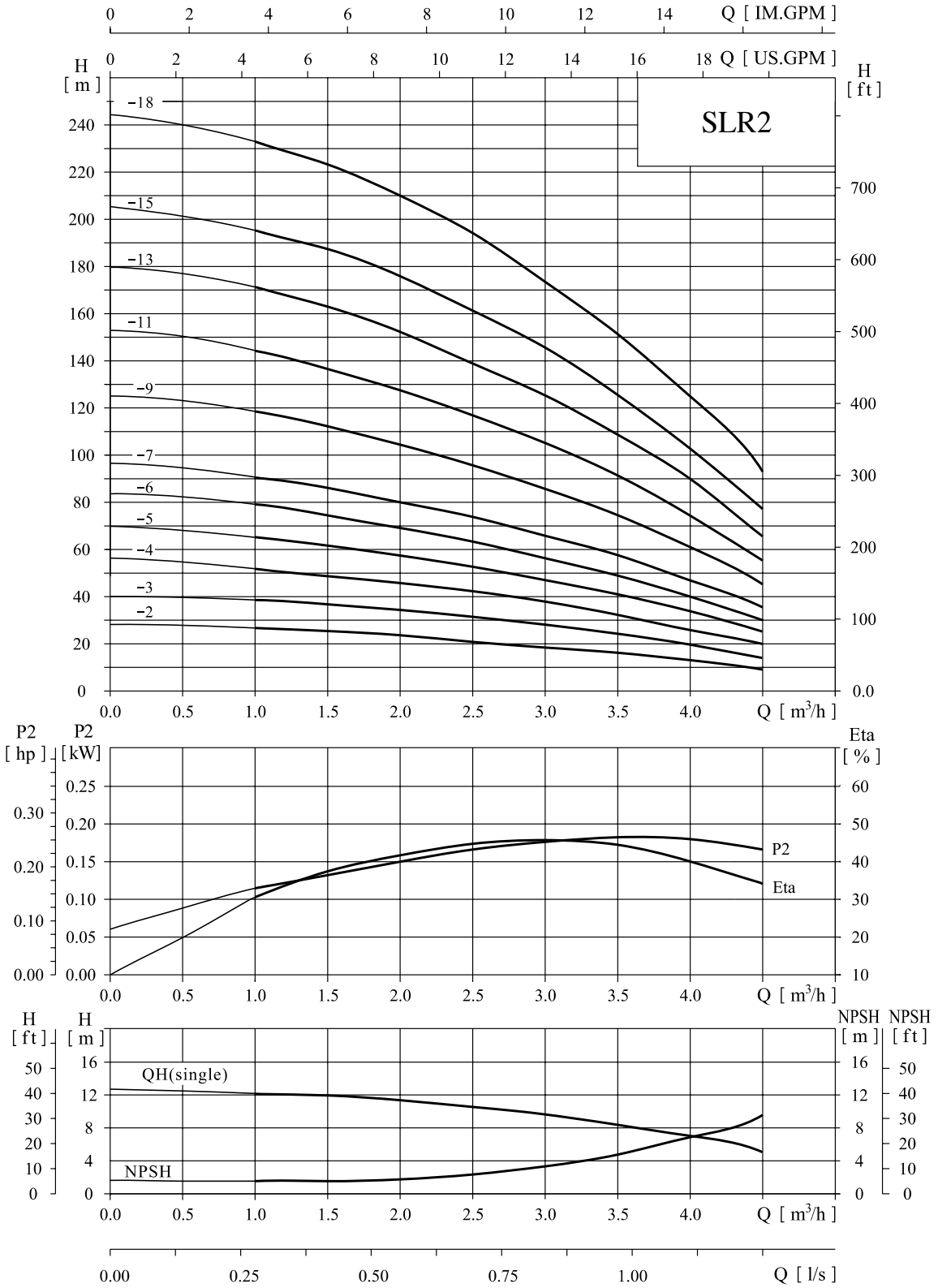
## ● Size and weight

Model	Size (mm)					Weight (kg)
	B1	B2	B1+B2	D1	D2	
SLR1-2	258	255	483	148	117	20
SLR1-3	276	255	501	148	117	20
SLR1-4	294	255	519	148	117	21
SLR1-5	312	255	537	148	117	22
SLR1-6	330	255	555	148	117	23
SLR1-7	358	245	603	170	142	26
SLR1-8	376	245	621	170	142	27
SLR1-9	394	245	639	170	142	28
SLR1-10	412	245	657	170	142	29
SLR1-11	430	245	675	170	142	29
SLR1-12	448	245	693	170	142	30
SLR1-13	466	245	711	170	142	31
SLR1-15	512	290	802	190	155	37
SLR1-17	548	290	838	190	155	38
SLR1-19	584	290	874	190	155	41
SLR1-21	620	290	910	190	155	42
SLR1-23	656	290	946	190	155	43
SLR1-25	702	345	1047	197	165	51

SLR1-19 ~ 1-25 sub-connection of pipeline has no oval flange connection. The overall dimensions of the single-phase motor and explosion-proof motor are a little different. Pls contact us for details.

● Performance curve

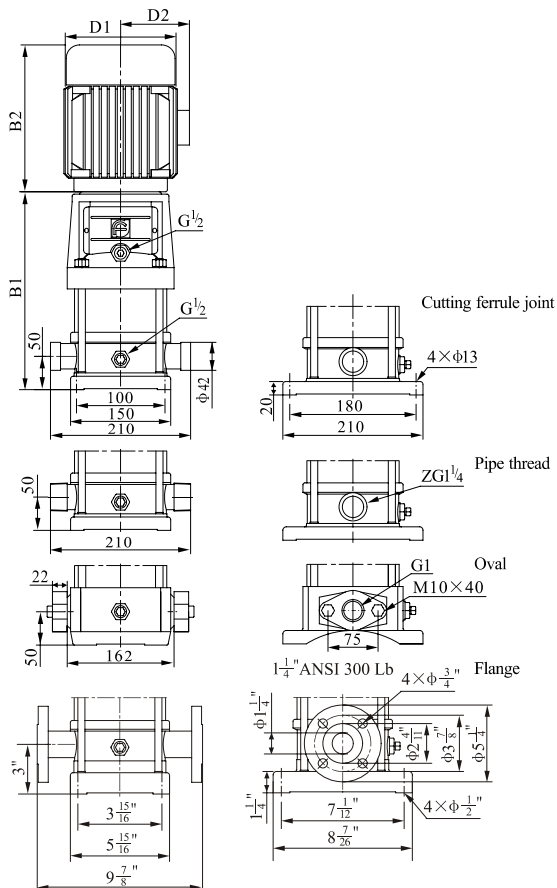
ISO9906 Annex A 3500rpm



## ● Performance table

Model	Driving motor		Q (m <sup>3</sup> /h)	1	1.5	2	2.5	3	3.5	4	4.5
	(kW)	(hp)									
SLR2-2	0.55	0.75	H (m)	26	24	22	21	18	16	12	9
SLR2-3	0.75	1		39	36	33	31	27	24	19	15
SLR2-4	1.1	1.5		52	48	45	42	36	32	26	20
SLR2-5	1.1	1.5		65	60	57	52	46	41	32	25
SLR2-6	1.1	1.5		78	74	69	63	56	49	40	30
SLR2-7	1.5	2		91	86	81	74	66	57	47	35
SLR2-9	2.2	3		117	111	104	95	86	75	61	45
SLR2-11	2.2	3		143	136	128	116	104	90	75	56
SLR2-13	3	4		171	163	152	139	126	108	90	66
SLR2-15	3	4		195	186	176	160	142	125	103	77
SLR2-18	4	5.5		234	228	212	195	171	151	126	94

## ● Installation sketch



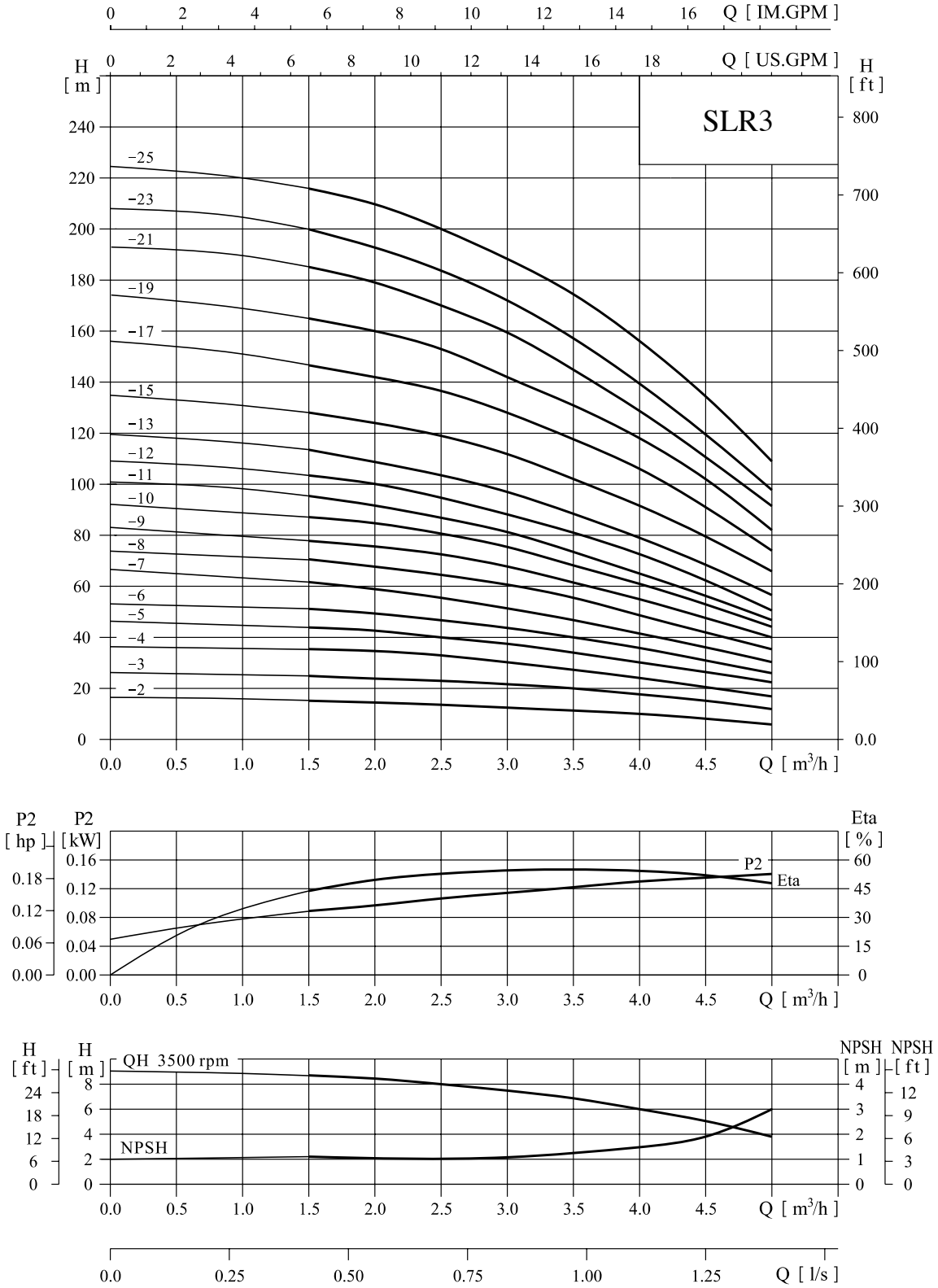
## ● Size and weight

Model	Size (mm)					Weight (kg)
	B1	B2	B1+B2	D1	D2	
SLR2-2	258	225	483	148	117	21
SLR2-3	286	245	531	170	142	24
SLR2-4	304	245	549	170	142	25
SLR2-5	322	245	567	170	142	26
SLR2-6	340	245	585	170	142	26
SLR2-7	368	290	658	190	155	32
SLR2-9	404	290	694	190	155	36
SLR2-11	440	290	730	190	155	37
SLR2-13	486	345	831	197	165	44
SLR2-15	522	345	867	197	165	45
SLR2-18	576	355	931	230	188	54

SLR2-13 ~ 2-18 sub-connection of pipeline has no oval flange connection. The overall dimensions of the single-phase motor and explosion-proof motor are a little different. Pls contact us for details.

● Performance curve

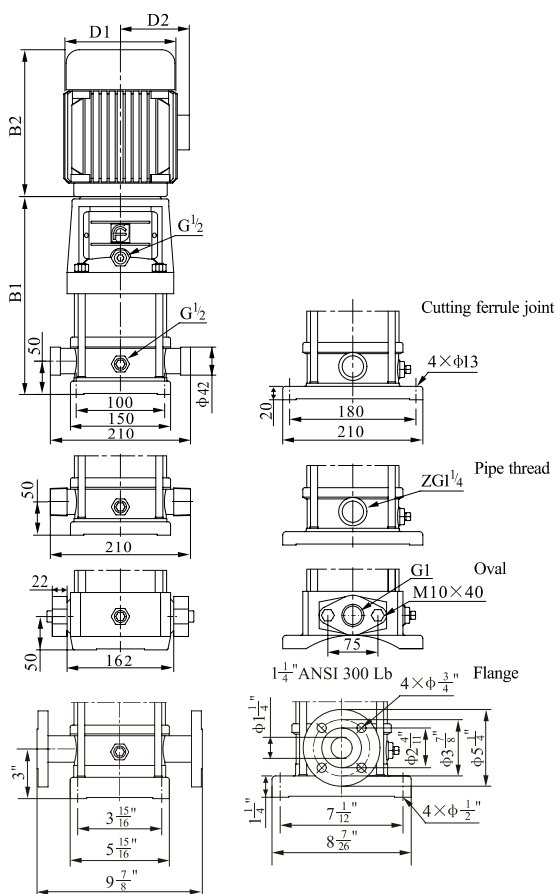
ISO9906 Annex A 3500rpm



## ● Performance table

Model	Driving motor		Q (m <sup>3</sup> /h)	1.5	2	2.5	3	3.5	4	4.5	5
	(kW)	(hp)									
SLR3-2	0.37	0.5	H (m)	17.5	16	15	14	13	11	9	8
SLR3-3	0.55	0.75		26.5	25	24	23	20	18	15	12
SLR3-4	0.55	0.75		35	34	32	30	27	25	20	17
SLR3-5	0.75	1		44	42	40	38	33	31	26	23
SLR3-6	1.1	1.5		51	50	48	45	40	37	32	27
SLR3-7	1.1	1.5		61	59	56	52	46	43	38	31
SLR3-8	1.1	1.5		70	67	64	61	53	49	44	35
SLR3-9	1.5	2		78	77	72	68	60	56	50	40
SLR3-10	1.5	2		87	84	81	76	68	63	55	44
SLR3-11	1.5	2		96	92	87	82	74	69	59	48
SLR3-12	2.2	3		104	100	96	90	79	73	63	52
SLR3-13	2.2	3		112	109	104	98	86	80	69	57
SLR3-15	2.2	3		129	126	120	112	99	93	81	65
SLR3-17	2.2	3		147	143	137	128	114	106	91	74
SLR3-19	3	4		165	160	153	142	126	118	102	82
SLR3-21	3	4	183	178	170	160	141	129	112	91	
SLR3-23	3	4	200	194	185	174	154	142	122	98	
SLR3-25	4	5.5	217	211	202	187	167	154	134	108	

## ● Installation sketch



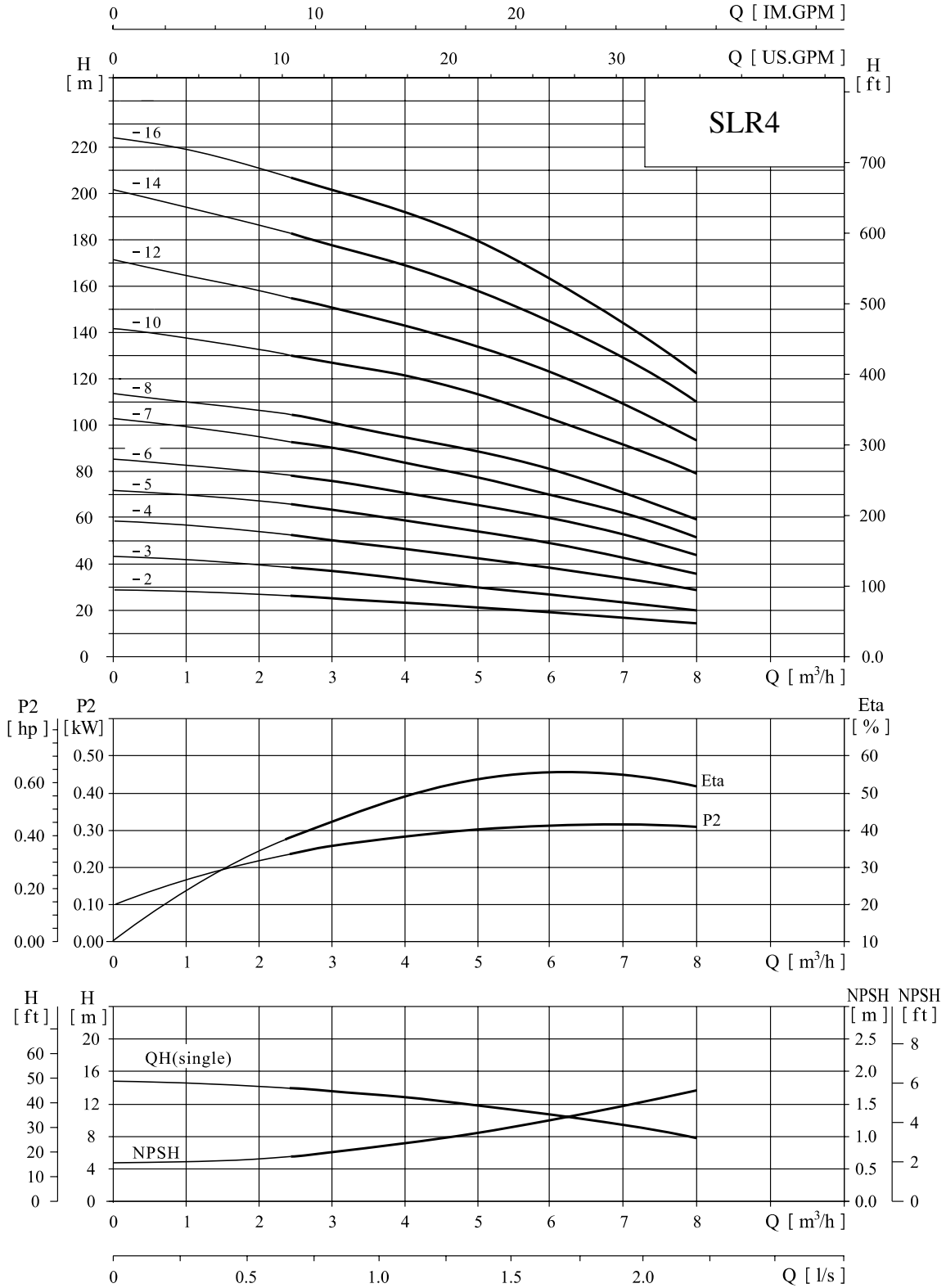
## ● Size and weight

Model	Size (mm)					Weight (kg)
	B1	B2	B1+B2	D1	D2	
SLR3-2	258	225	483	148	117	20
SLR3-3	276	225	501	148	117	21
SLR3-4	294	225	519	148	117	22
SLR3-5	322	245	567	170	142	25
SLR3-6	340	245	585	170	142	26
SLR3-7	358	245	603	170	142	27
SLR3-8	376	245	621	170	142	27
SLR3-9	404	290	694	190	155	33
SLR3-10	422	290	712	190	155	34
SLR3-11	440	290	730	190	155	34
SLR3-12	458	290	748	190	155	37
SLR3-13	476	290	766	190	155	38
SLR3-15	512	290	802	190	155	39
SLR3-17	548	290	838	190	155	40
SLR3-19	594	345	939	197	165	48
SLR3-21	630	345	975	197	165	49
SLR3-23	666	345	1011	197	165	50
SLR3-25	702	355	1057	230	188	58

SLR3-17 ~ 3-25 sub-connection of pipeline has no oval flange connection. The overall dimensions of the single-phase motor and explosion-proof motor are a little different. Pls contact us for details.

● Performance curve

ISO9906 Annex A 3500rpm

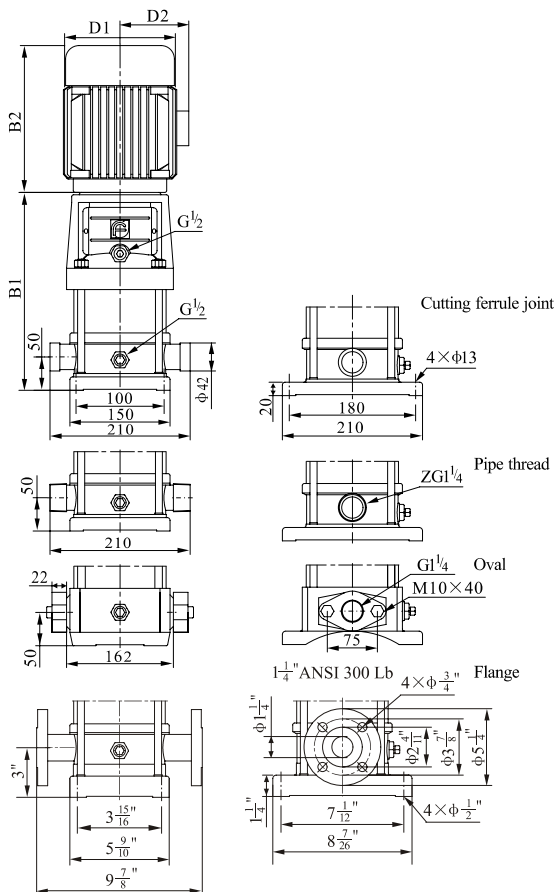




## ● Performance table

Model	Driving motor		Q (m <sup>3</sup> /h)	2.5	3	4	5	6	7	8
	(kW)	(hp)								
SLR4-2	0.75	1	H (m)	26	25	23	21	19	16	14
SLR4-3	1.1	1.5		39	38	36	32	28	24	21
SLR4-4	1.5	2		52	50	48	44	38	35	31
SLR4-5	2.2	3		65	62	60	55	49	44	39
SLR4-6	2.2	3		78	75	72	67	59	54	47
SLR4-7	3	4		92	88	84	78	69	62	55
SLR4-8	3	4		104	100	95	90	79	72	63
SLR4-10	4	5.5		130	125	120	113	102	90	80
SLR4-12	4	5.5		156	150	145	136	122	109	96
SLR4-14	5.5	7.5		182	176	170	159	145	129	112
SLR4-16	5.5	7.5		207	201	196	183	165	146	128

## ● Installation sketch



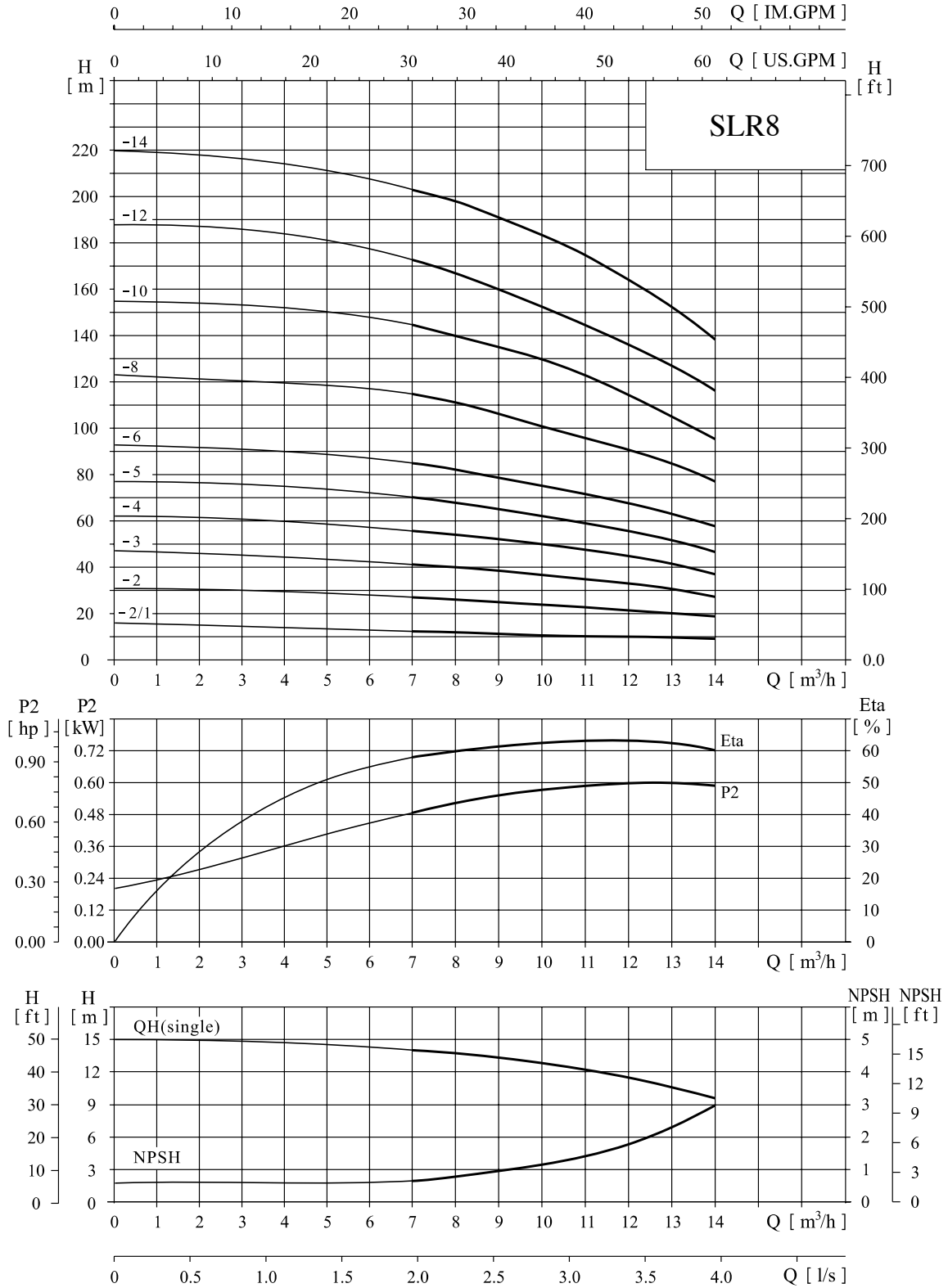
## ● Size and weight

Model	Size (mm)					Weight (kg)
	B1	B2	B1+B2	D1	D2	
SLR4-2	286	245	531	170	142	24
SLR4-3	313	245	558	170	142	25
SLR4-4	350	290	640	190	155	31
SLR4-5	376	290	667	190	155	34
SLR4-6	404	290	694	190	155	35
SLR4-7	441	345	786	197	165	42
SLR4-8	468	345	813	197	165	42
SLR4-10	522	355	877	230	188	51
SLR4-12	576	355	931	230	188	52
SLR4-14	650	390	1040	260	208	64
SLR4-16	704	390	1049	260	208	66

SLR4-12 ~ 4-16 sub-connection of pipeline has no oval flange connection. The overall dimensions of the single-phase motor and explosion-proof motor are a little different. Pls contact us for details.

● Performance curve

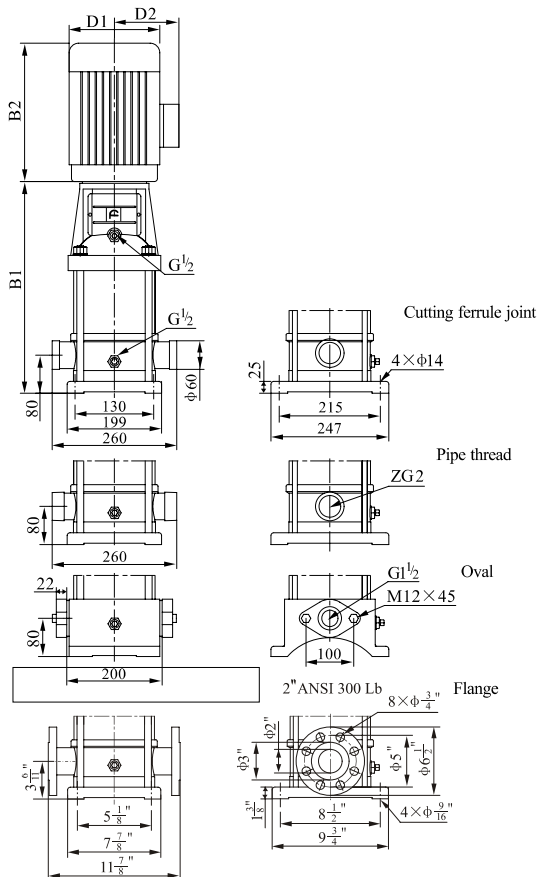
ISO9906 Annex A 3500rpm



## ● Performance table

Model	Driving motor		Q (m <sup>3</sup> /h)	7	8	9	10	11	12	13	14
	(kW)	(hp)									
SLR8-2/1	0.75	1	H (m)	13	12	11.5	11	10.5	10	9.5	9
SLR8-2	1.5	2		27	26	25	24	23	22	20	18
SLR8-3	2.2	3		41	40	38	37	35	33	30	28
SLR8-4	3	4		55	54	52	50	47	45	41	38
SLR8-5	3	4		70	68	65	63	59	56	52	47
SLR8-6	4	5.5		85	82	78	76	72	68	62	57
SLR8-8	5.5	7.5		115	110	105	101	97	91	84	75
SLR8-10	7.5	10		145	140	132	126	122	115	105	95
SLR8-12	7.5	10		173	167	160	152	147	132	125	115
SLR8-14	11	15		202	195	188	179	174	163	147	135

## ● Installation sketch



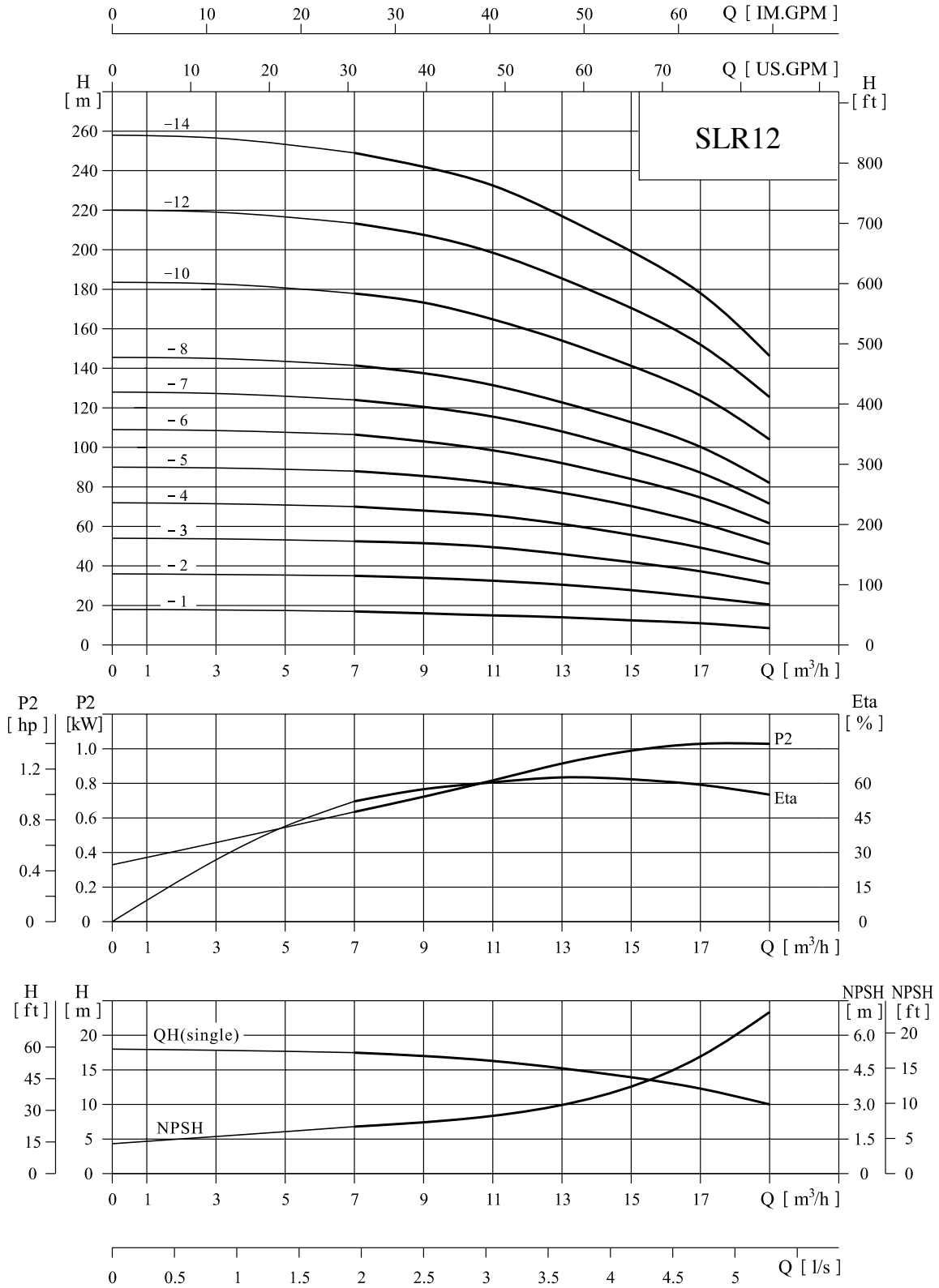
## ● Size and weight

Model	Size (mm)					Weight (kg)
	B1	B2	B1+B2	D1	D2	
SLR8-2/1	357	245	602	170	142	32
SLR8-2	367	290	657	190	155	38
SLR8-3	397	290	687	190	155	41
SLR8-4	437	345	782	197	165	49
SLR8-5	467	345	812	197	165	50
SLR8-6	497	355	852	230	188	58
SLR8-8	577	390	967	260	208	71
SLR8-10	637	390	1027	260	208	80
SLR8-12	697	390	1087	260	208	82
SLR8-14	845	500	1345	330	255	153

SLR8-10 ~ 8-14 sub-connection of pipeline has no oval flange connection. The overall dimensions of the single-phase motor and explosion-proof motor are a little different. Pls contact us for details.

● Performance curve

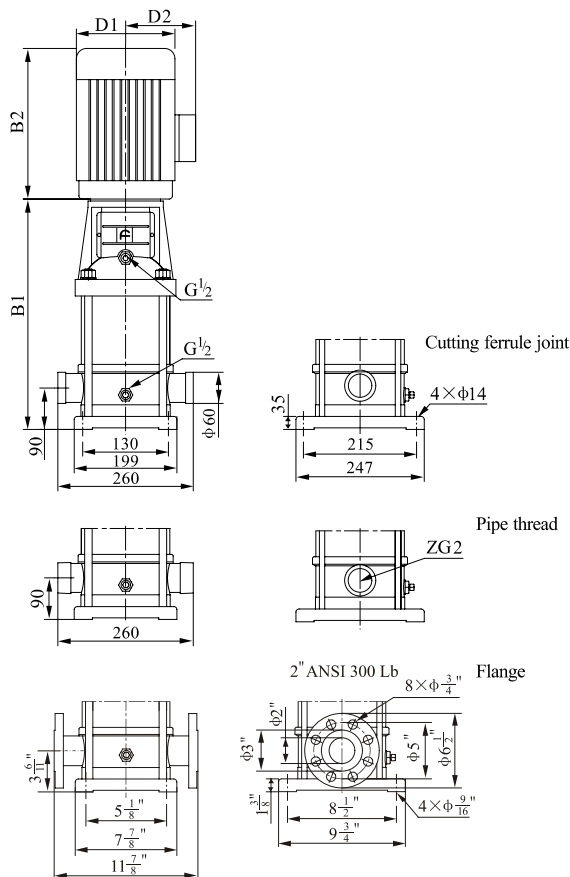
ISO9906 Annex A 3500rpm



## ● Performance table

Model	Driving motor		Q (m <sup>3</sup> /h)	7	9	11	12	13	15	17	19
	(kW)	(hp)									
SLR12-1	1.1	1.5	H (m)	17	16	15	14.5	14	12.5	11	8.5
SLR12-2	2.2	3		35	34	32.5	32	30.5	27	24.5	20.5
SLR12-3	4	5.5		52.5	51.5	50	48	46	41.5	37.5	31
SLR12-4	5.5	7.5		70	68	65.5	64	61.5	55	49.5	41
SLR12-5	5.5	7.5		88	86	82	80	77	70	62	51
SLR12-6	7.5	10		107	103	99	96	92	84	75	61
SLR12-7	7.5	10		124	121	116	112	107	97	88	71
SLR12-8	11	15		141	137	132	128	122	111	101	82
SLR12-10	11	15		178	173	166	161	153	140	128	104
SLR12-12	15	20		213	208	199	193	185	169	154	125
SLR12-14	15	20		249	242	233	225	216	198	180	145

## ● Installation sketch



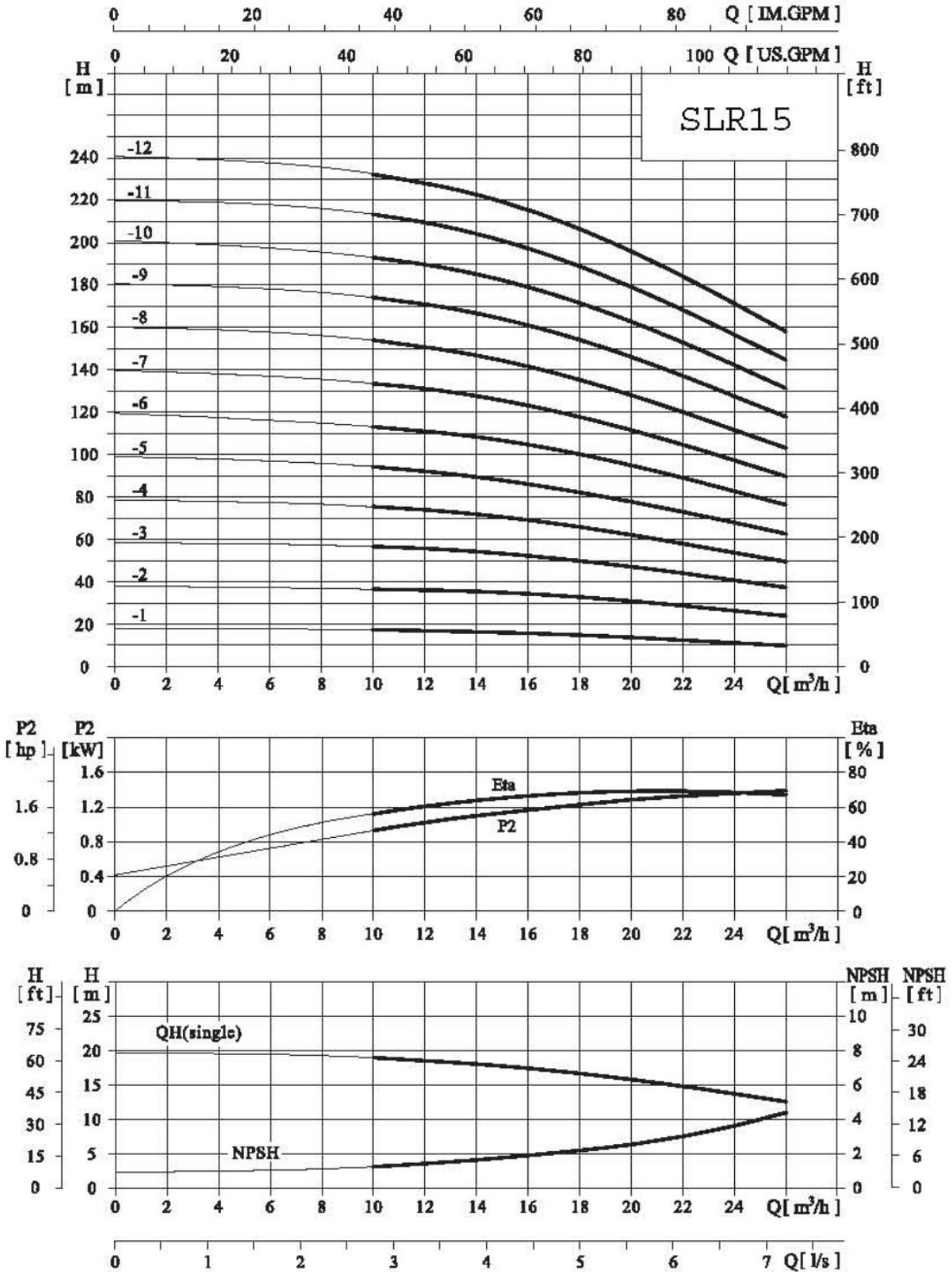
## ● Size and weight

Model	Size (mm)					Weight (kg)
	B1	B2	B1+B2	D1	D2	
SLR12-1	357	245	602	170	142	32
SLR12-2	367	290	657	190	155	41
SLR12-3	407	355	762	230	188	56
SLR12-4	457	390	847	260	208	69
SLR12-5	487	390	877	260	208	71
SLR12-6	517	390	907	260	208	77
SLR12-7	547	390	937	260	208	78
SLR12-8	665	500	1165	330	255	147
SLR12-10	725	500	1225	330	255	151
SLR12-12	785	500	1285	330	255	164
SLR12-14	845	500	1345	330	255	167

The overall dimensions of the single-phase motor and explosion-proof motor are a little different. Pls contact us for details.

● Performance curve

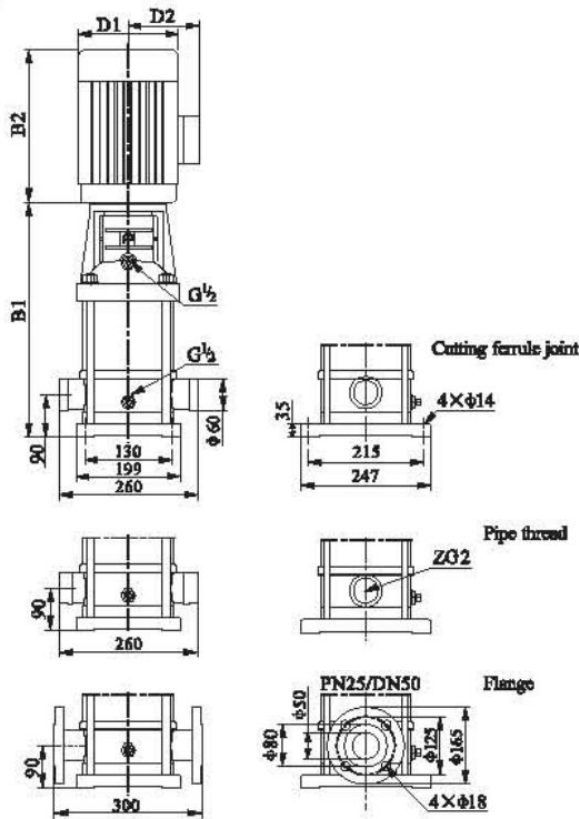
ISO9906 Annex A 3500rpm



● Performance table

Model	Driving motor		Q (m <sup>3</sup> /h)	10	12	14	15	16	18	20	22	24	26
	(kW)	(hp)											
15-1	1.5	2	H (m)	17.5	17	16.5	16	15.5	15	14	12.5	11	9.5
15-2	3	4		36.5	36	35.5	35	34.5	33	31	29	27	24
15-3	4	5.5		56	55	54	53	52	50	47	44	41	37
15-4	5.5	7.5		75	74	72	71	69	66	62	58	54	49
15-5	7.5	10		94	92	90	88	87	83	79	74	68	62
15-6	11	15		113	111	108	107	105	101	95	89	83	76
15-7	11	15		134	131	128	126	124	118	112	105	98	90
15-8	11	15		154	151	147	144	142	136	129	121	112	103
15-9	15	20		174	171	167	164	161	155	147	138	128	118
15-10	15	20		193	190	186	182	180	172	163	154	143	131
15-12	18.5	25		232	228	223	219	216	207	197	185	172	158

● Installation sketch



● Size and weight

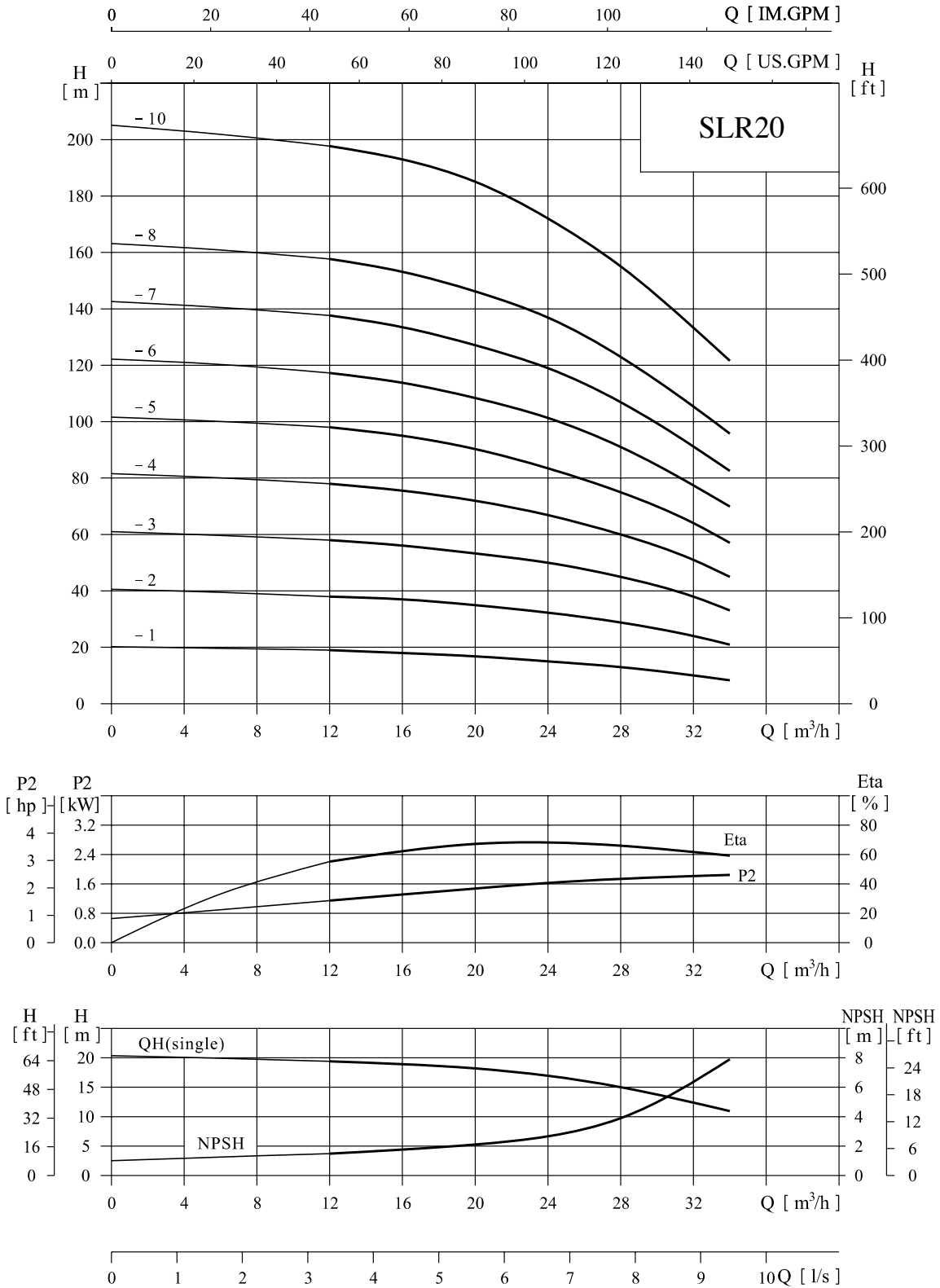
Model	Size (mm)					Weight (kg)
	B1	B2	B1+B2	D1	D2	
15-1	397	290	687	190	155	39
15-2	407	345	752	197	165	49
15-3	452	355	807	230	188	58
15-4	517	390	907	260	208	71
15-5	562	390	952	260	255	81
15-6	695	500	1195	330	255	150
15-7	740	500	1240	330	255	152
15-8	785	500	1285	330	255	153
15-9	830	500	1330	330	255	165
15-10	875	500	1375	330	255	167
15-12	965	550	1515	330	255	191

The overall dimension of the single-phase motor and explosion-proof motor are a little different. Pls contact us for details.



● Performance curve

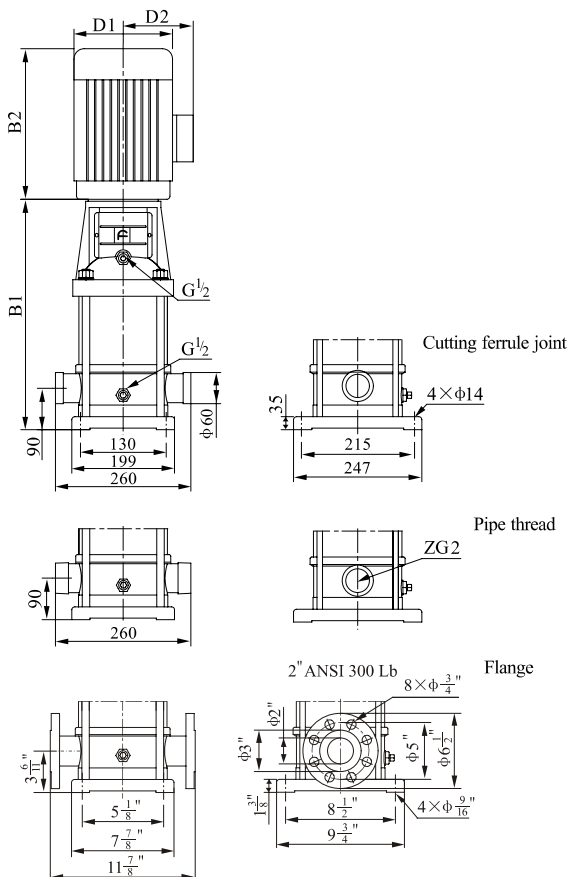
ISO9906 Annex A 3500rpm



## ● Performance table

Model	Driving motor		Q (m <sup>3</sup> /h)	12	16	20	24	28	32	34
	(kW)	(hp)								
SLR20-1	2.2	3	H (m)	19	18	17	15	13	10	8.5
SLR20-2	4.0	5.5		38	37	35	32	29	24	21
SLR20-3	5.5	7.5		58	56	53	50	45	38	33
SLR20-4	7.5	10		78	75	72	67	60	51	45
SLR20-5	11	15		98	94	90	85	75	64	57
SLR20-6	11	15		118	113	108	102	91	77	70
SLR20-7	15	20		138	133	127	119	107	91	83
SLR20-8	15	20		158	153	146	137	123	105	96
SLR20-10	18.5	25		198	193	185	172	155	133	122

## ● Installation sketch



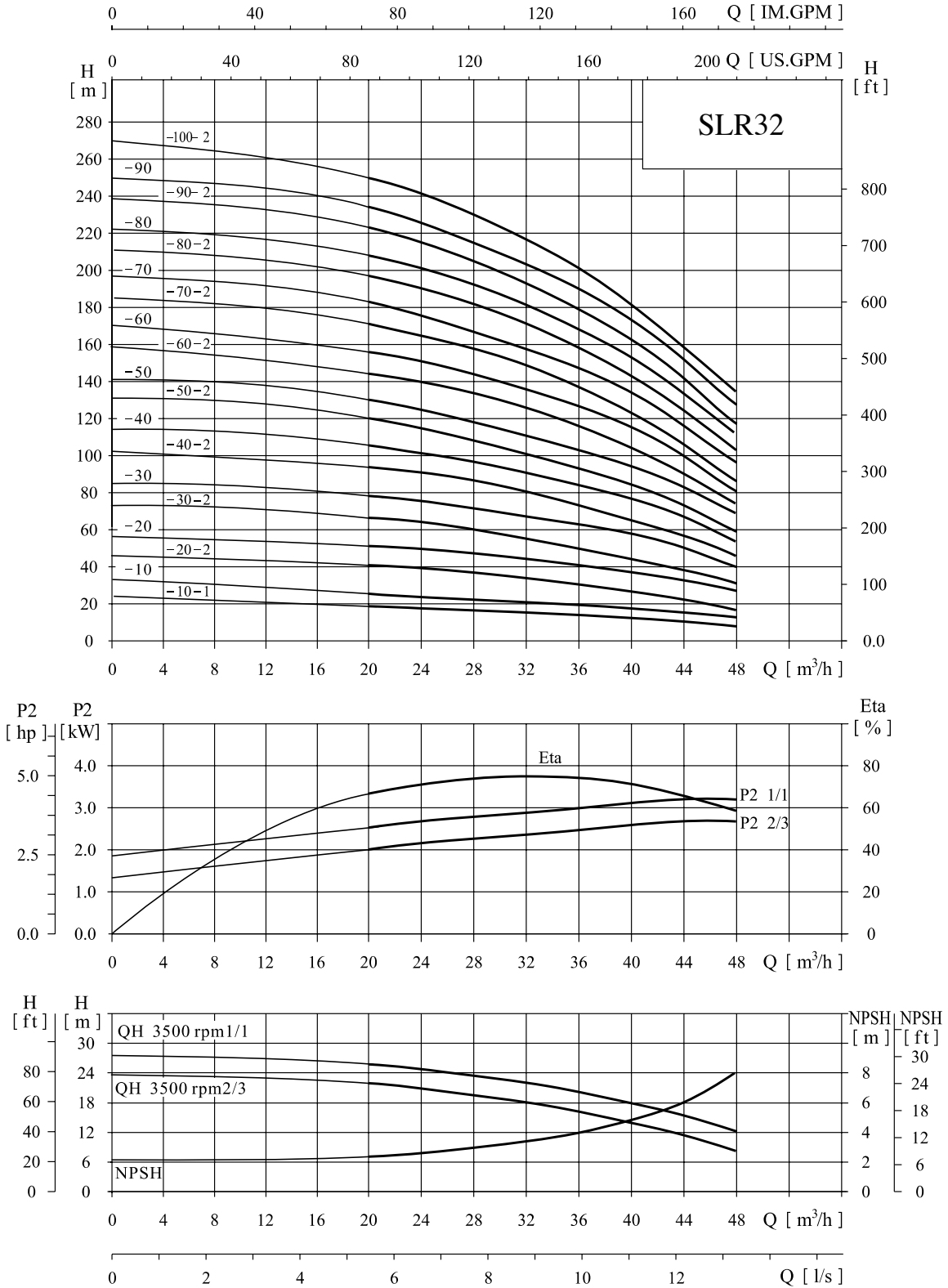
## ● Size and weight

Model	Size (mm)					Weight (kg)
	B1	B2	B1+B2	D1	D2	
SLR20-1	397	290	687	190	155	41
SLR20-2	407	355	762	230	188	56
SLR20-3	472	390	862	260	208	69
SLR20-4	517	390	907	260	208	79
SLR20-5	650	500	1150	330	255	148
SLR20-6	695	500	1195	330	255	150
SLR20-7	740	500	1240	330	255	162
SLR20-8	785	500	1285	330	255	163
SLR20-10	875	550	1425	330	255	187

The overall dimensions of the single-phase motor and explosion-proof motor are a little different. Pls contact us for details.

● Performance curve

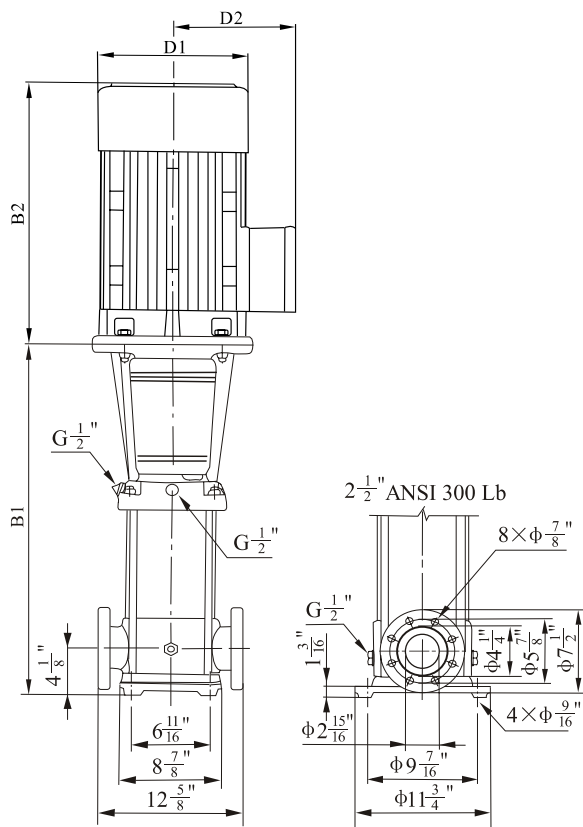
ISO9906 Annex A 3500rpm



## ● Performance table

Model	Driving motor		Q (m <sup>3</sup> /h)	20	24	28	32	36	40	44	48
	(kW)	(hp)									
SLR32-10-1	3.0	4	H (m)	20	19	18	17	15	13	10	7
SLR32-10	4.0	5.5		26	25	24	23	21	19	17	14
SLR32-20-2	5.5	7.5		41	40	38	35	31	27	22	17
SLR32-20	7.5	10		52	50	48	45	41	37	33	27
SLR32-30-2	7.5	10		67	64	61	57	52	46	39	31
SLR32-30	11	15		78	75	71	67	62	56	50	40
SLR32-40-2	11	15		94	91	87	81	73	65	56	45
SLR32-40	15	20		104	101	96	91	83	75	66	55
SLR32-50-2	15	20		119	115	109	102	94	84	73	59
SLR32-50	18.5	25		130	125	119	112	104	94	83	69
SLR32-60-2	18.5	25		145	140	134	126	116	104	90	74
SLR32-60	18.5	25		155	150	144	136	126	114	100	81
SLR32-70-2	22	30		172	166	158	149	137	123	106	86
SLR32-70	22	30		182	176	168	159	148	133	118	97
SLR32-80-2	22	30		196	190	182	172	159	143	124	102
SLR32-80	30	40		208	201	192	181	167	152	132	111
SLR32-90-2	30	40		223	216	206	194	179	162	142	117
SLR32-90	30	40		234	226	216	204	189	172	152	127
SLR32-100-2	30	40		248	241	231	217	201	181	159	133

## ● Installation sketch



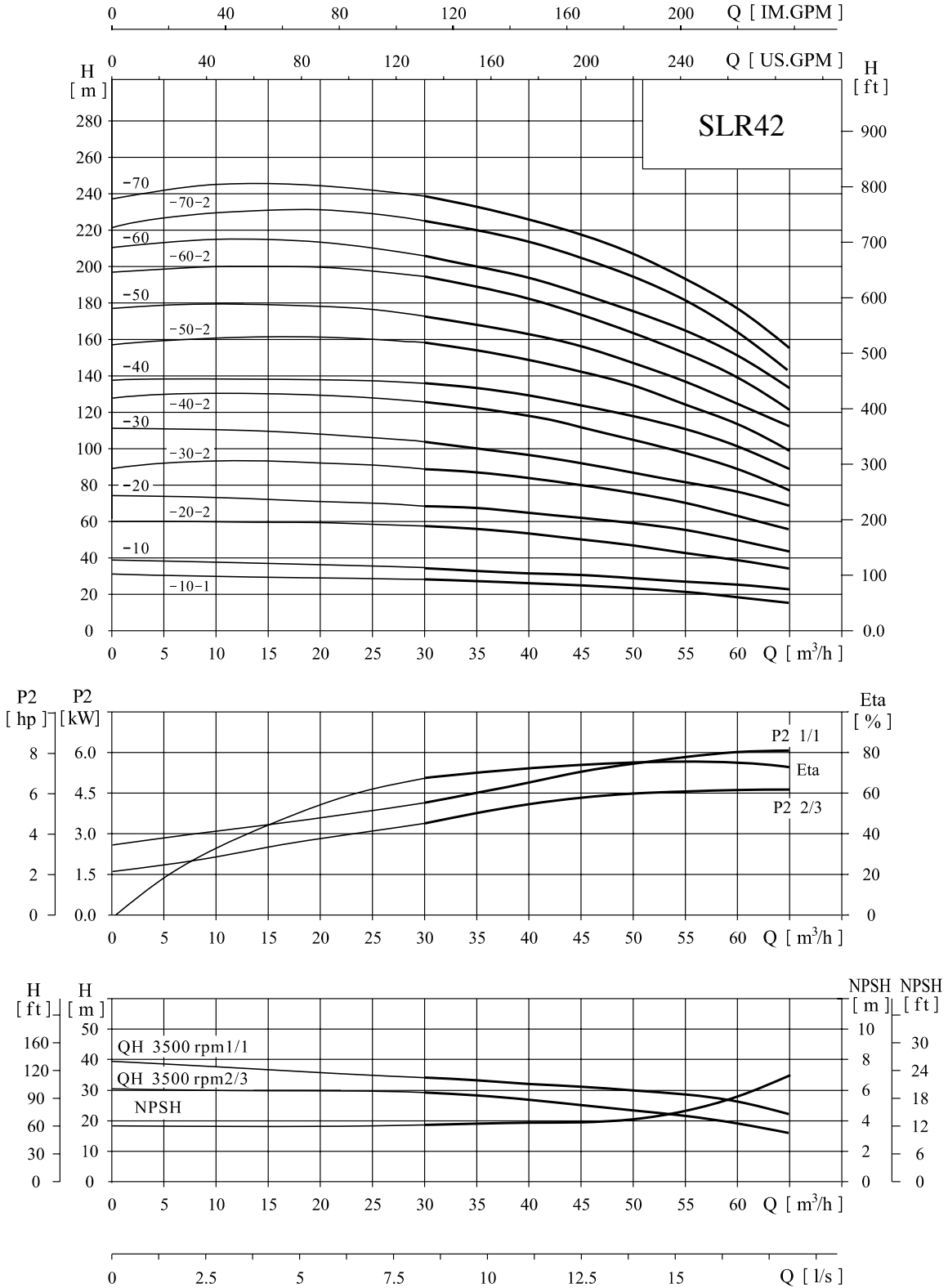
## ● Size and weight

Model	Size (mm)					Weight (kg)
	B1	B2	B1+B2	D1	D2	
SLR32-10-1	505	345	850	197	165	73
SLR32-10	505	355	860	230	188	81
SLR32-20-2	575	390	965	260	208	95
SLR32-20	575	390	965	260	208	101
SLR32-30-2	645	500	1145	330	255	104
SLR32-30	750	500	1250	330	255	172
SLR32-40-2	820	500	1320	330	255	176
SLR32-40	820	500	1320	330	255	186
SLR32-50-2	890	500	1390	330	255	191
SLR32-50	890	550	1440	330	255	211
SLR32-60-2	960	550	1510	330	255	216
SLR32-60	960	550	1510	330	255	216
SLR32-70-2	1030	575	1605	360	285	255
SLR32-70	1030	575	1605	360	285	255
SLR32-80-2	1100	575	1675	400	310	259
SLR32-80	1100	650	1750	400	310	315
SLR32-90-2	1170	650	1820	400	310	319
SLR32-90	1170	650	1820	400	310	319
SLR32-100-2	1240	650	1890	400	310	324

The overall dimensions of explosion-proof motor is a little different. Pls contact us for details.

● Performance curve

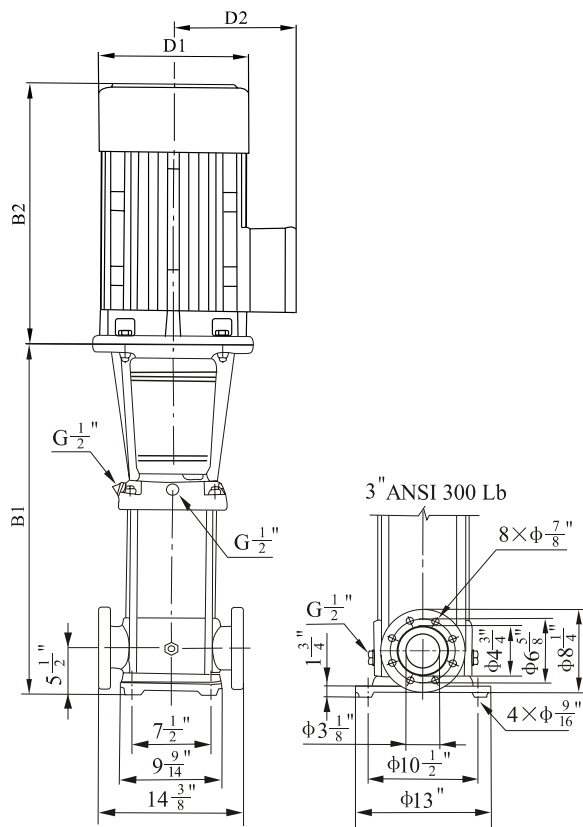
ISO9906 Annex A 3500rpm



## ● Performance table

Model	Driving motor		Q (m <sup>3</sup> /h)	30	35	40	42	45	50	55	60	65
	(kW)	(hp)										
SLR42-10-1	5.5	7.5	H (m)	29	28	27	26	25	23	21	19	16
SLR42-10	7.5	10		34	33	32	31.5	30	29	27	25	22
SLR42-20-2	11	15		57	55	53	52	49	46	43	38	33
SLR42-20	15	20		69	67	65	63	61	59	55	50	44
SLR42-30-2	18.5	25		90	88	85	83	80	75	72	63	55
SLR42-30	18.5	25		102	100	97	95	92	88	82	76	68
SLR42-40-2	22	30		125	121	118	115	112	105	98	89	78
SLR42-40	30	40		136	133	129	126	123	117	112	102	89
SLR42-50-2	30	40		159	154	149	146	142	134	121	115	99
SLR42-50	30	40		171	166	161	158	154	145	138	126	112
SLR42-60-2	37	50		194	188	182	178	173	163	155	139	122
SLR42-60	37	50		205	200	193	190	186	176	166	152	134
SLR42-70-2	45	60		227	220	213	210	205	193	182	165	144
SLR42-70	45	60		239	232	226	221	216	204	194	178	157

## ● Installation sketch



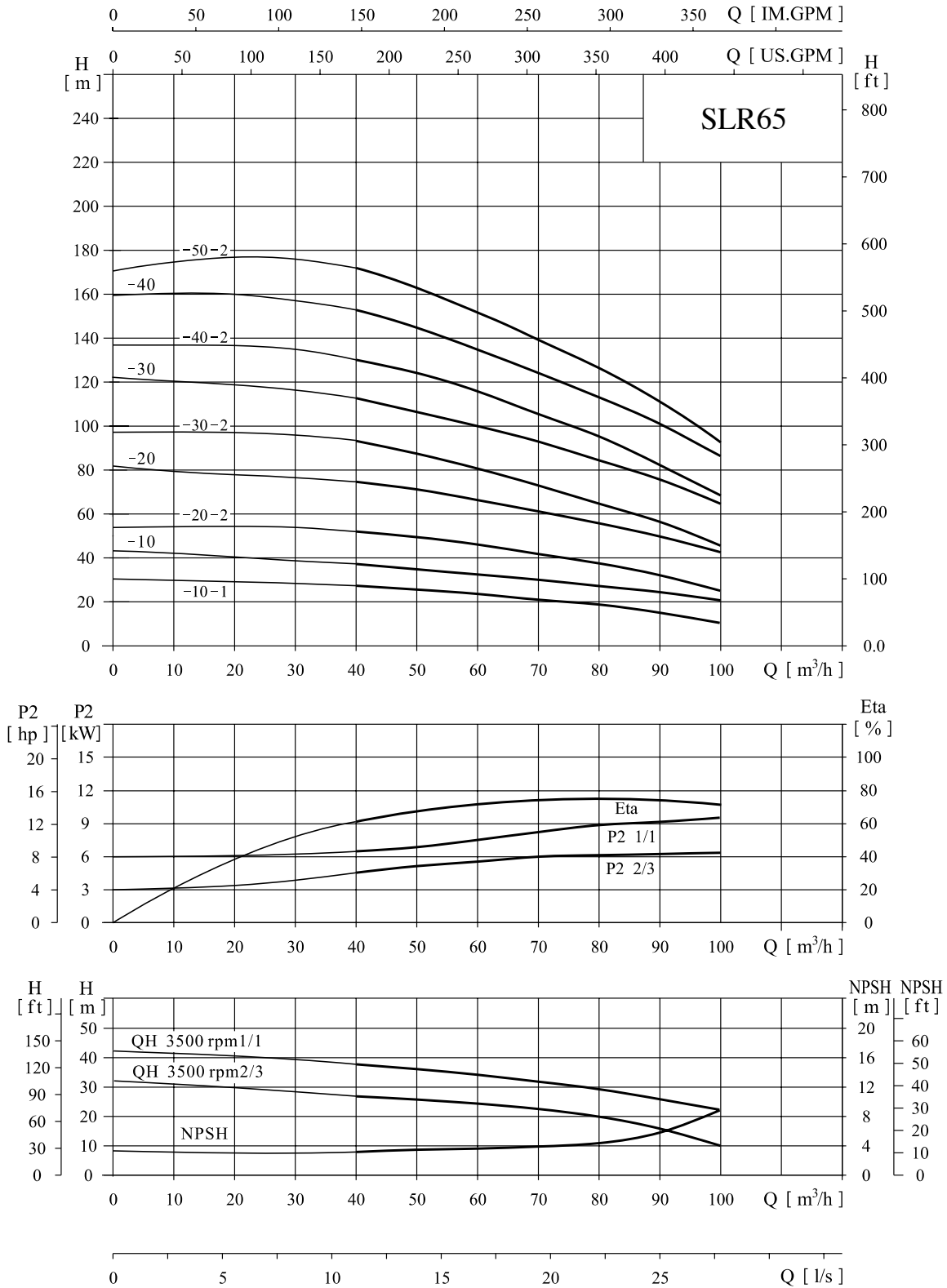
## ● Size and weight

Model	Size (mm)					Weight (kg)
	B1	B2	B1+B2	D1	D2	
SLR42-10-1	561	390	952	260	208	101
SLR42-10	561	390	952	260	208	106
SLR42-20-2	748	500	1248	330	255	178
SLR42-20	748	500	1248	330	255	188
SLR42-30-2	828	550	1378	330	255	213
SLR42-30	828	550	1378	330	255	213
SLR42-40-2	908	575	1483	360	285	253
SLR42-40	908	650	1558	400	310	309
SLR42-50-2	988	650	1638	400	310	313
SLR42-50	988	650	1638	400	310	313
SLR42-60-2	1068	650	1718	400	310	340
SLR42-60	1068	650	1718	400	310	340
SLR42-70-2	1148	685	1833	460	340	404
SLR42-70	1148	685	1833	460	340	404

The overall dimensions of explosion-proof motor is a little different. Pls contact us for details.

● Performance curve

ISO9906 Annex A 3500rpm

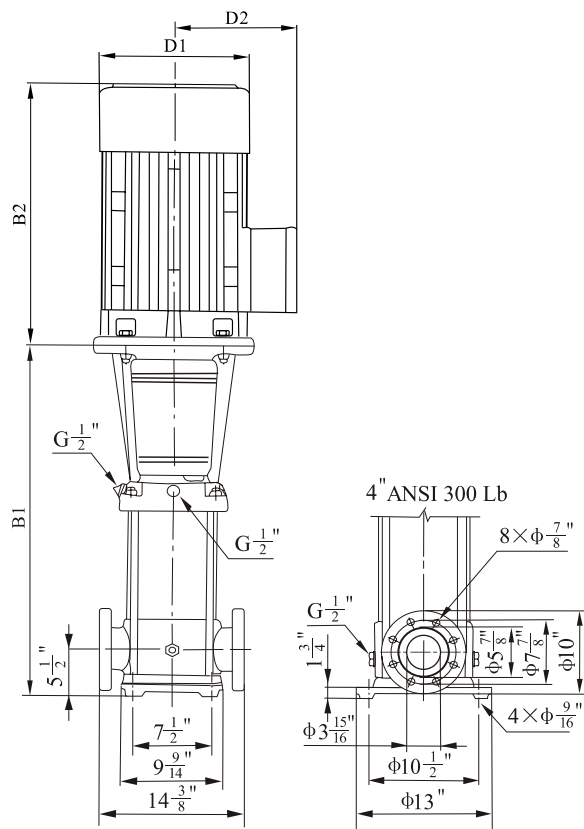




## ● Performance table

Model	Driving motor		Q (m <sup>3</sup> /h)	40	50	60	65	70	80	90	100
	(kW)	(hp)									
SLR65-10-1	7.5	10	H (m)	26	25	23	22	21	18	14	10
SLR65-10	11	15		37	35	33	32	31	28	24	21
SLR65-20-2	15	20		53	50	47	44	42	37	31	23
SLR65-20	22	30		74	72	67	64	62	57	51	42
SLR65-30-2	22	30		93	88	80	76	72	65	56	45
SLR65-30	30	40		112	108	100	96	93	86	77	65
SLR65-40-2	37	50		130	124	115	110	103	94	83	66
SLR65-40	45	60		152	144	135	130	123	114	102	86
SLR65-50-2	45	60		172	162	151	144	137	126	112	91

## ● Installation sketch



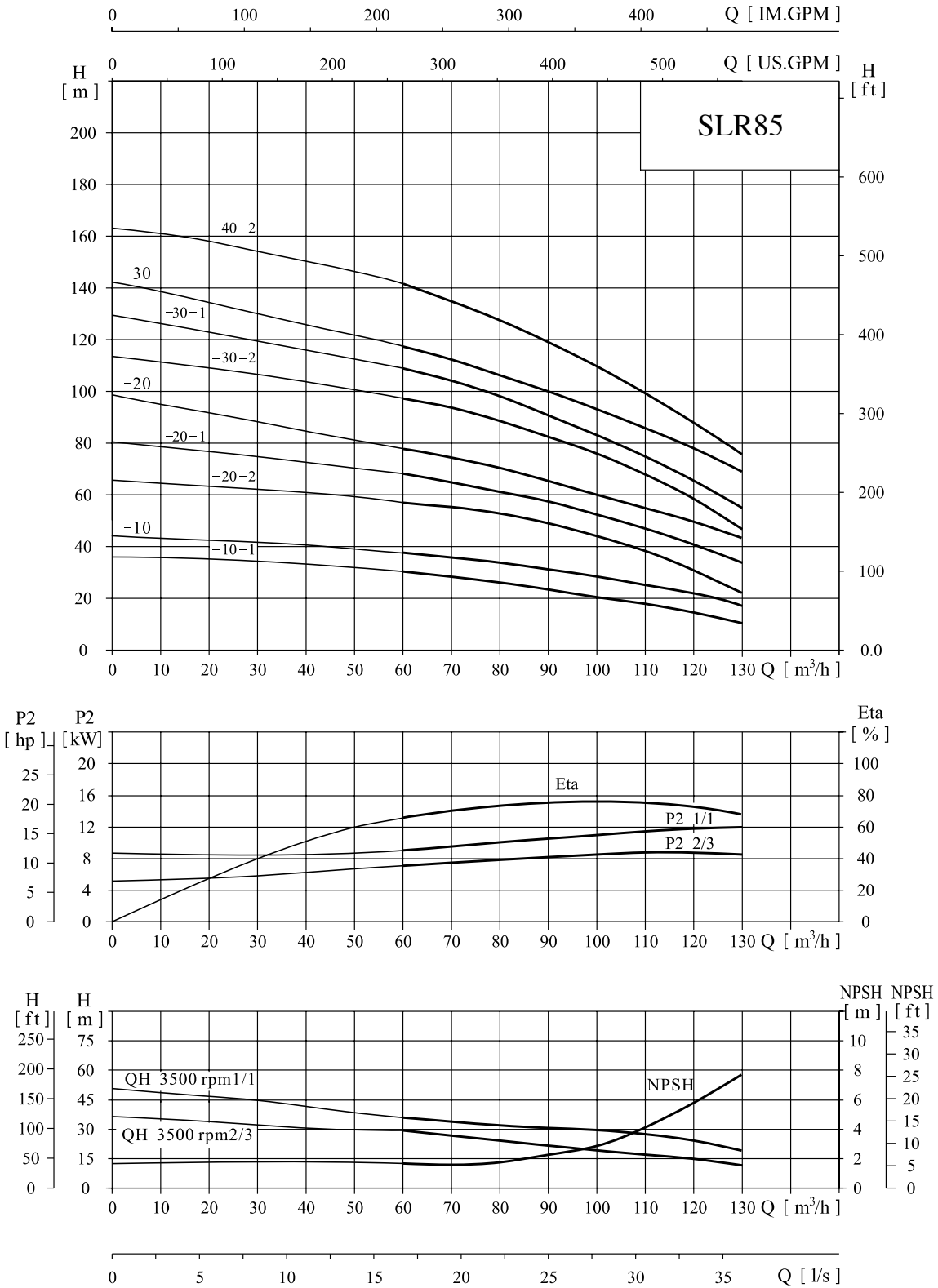
## ● Size and weight

Model	Size (mm)					Weight (kg)
	B1	B2	B1+B2	D1	D2	
SLR65-10-1	561	390	951	260	208	109
SLR65-10	671	500	1171	330	255	177
SLR65-20-2	754	500	1254	330	255	187
SLR65-20	754	575	1329	360	285	248
SLR65-30-2	836	575	1411	360	285	252
SLR65-30	836	650	1486	400	310	313
SLR65-40-2	919	650	1569	400	310	336
SLR65-40	919	685	1604	460	340	398
SLR65-50-2	1001	685	1686	460	340	402

The overall dimensions of explosion-proof motor is a little different. Pls contact us for details.

● Performance curve

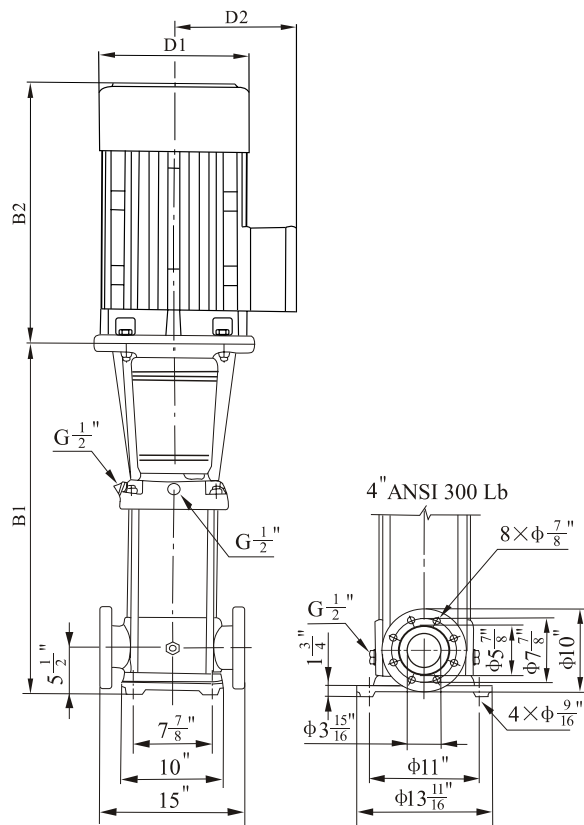
ISO9906 Annex A 3500rpm



## ● Performance table

Model	Driving motor		Q (m <sup>3</sup> /h)	60	70	80	85	90	100	110	120	130
	(kW)	(hp)										
SLR85-10-1	11	15	H (m)	31	27	25	24	23	21	18	14	9
SLR85-10	15	20		36	35	33	31	30	29	26	23	18
SLR85-20-2	18.5	25		59	57	54	51	48	44	39	32	22
SLR85-20-1	22	30		67	65	62	59	57	51	47	41	33
SLR85-20	30	40		76	73	69	66	64	60	56	52	44
SLR85-30-2	37	50		98	94	88	85	82	75	69	59	46
SLR85-30-1	37	50		108	104	98	94	90	83	78	69	56
SLR85-30	45	60		116	111	105	102	97	93	88	79	69
SLR85-40-2	45	60		141	135	128	124	118	109	102	89	72

## ● Installation sketch



## ● Size and weight

Model	Size (mm)					Weight (kg)
	B1	B2	B1+B2	D1	D2	
SLR85-10-1	571	500	1071	330	255	177
SLR85-10	571	500	1071	330	255	188
SLR85-20-2	773	550	1323	330	255	211
SLR85-20-1	773	575	1348	360	285	248
SLR85-20	773	650	1423	400	310	304
SLR85-30-2	865	650	1515	400	310	330
SLR85-30-1	865	650	1515	400	310	330
SLR85-30	865	685	1550	460	340	392
SLR85-40-2	957	685	1642	460	340	396

The overall dimensions of explosion-proof motor is a little different. Pls contact us for details.



## **Walrus America Inc**

20220 Hempstead Road, Suite #30, Houston, TX 77065

Phone: 281-955-8035 Fax: 281-955-8037

Web: [www.walrusamerica.com](http://www.walrusamerica.com)