

CDLK 50Hz/60Hz

Immersion Type Multi-stage Centrifugal Pump

CDLKF 2007



WALRUS AMERICA INC

20220 Hempstead Road, Suite #30, Houston, TX 77065

Phone: 281-955-8035 Fax: 281-955-8037

Web: www.walrusamerica.com

Content

General Data

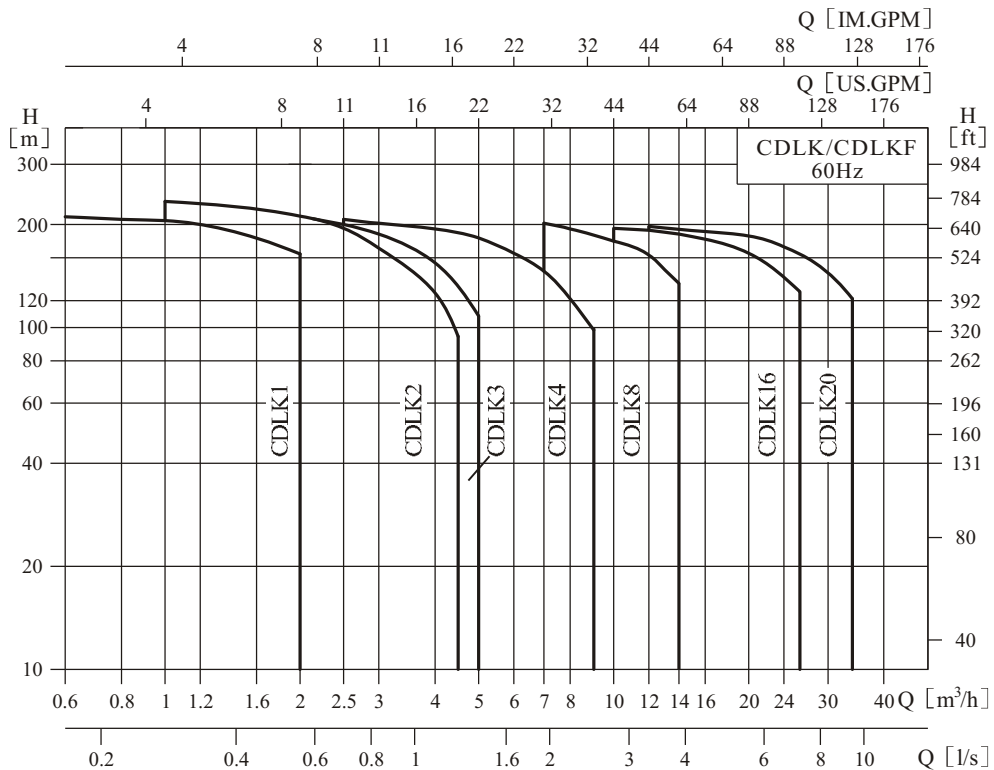
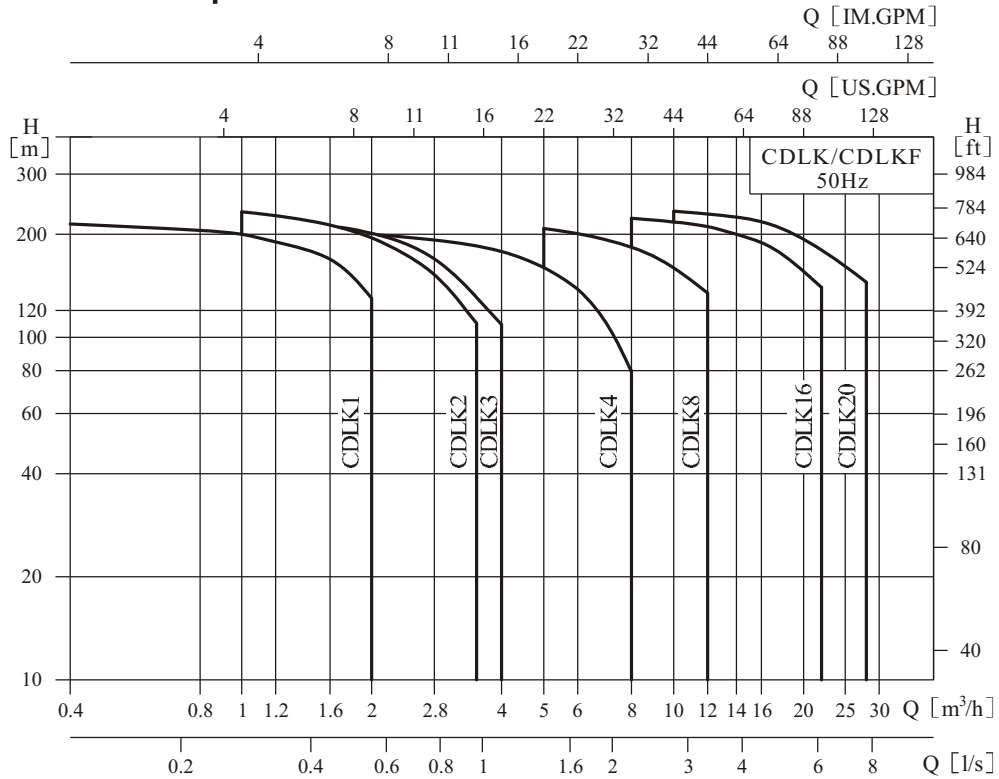
Performance scope	3
Product range	4
Application	4
Performance curve	4
Motor	5
Pump	5
Definition of Model	5
Operation conditions	5
Max. Ambient temperature	5
Installation of pump	6
Scope of available products	6
Material	10

Technical Data

CDLK/CDLKF1,50Hz	11
CDLK/CDLKF2,50Hz	13
CDLK/CDLKF3,50Hz	15
CDLK/CDLKF4,50Hz	17
CDLK/CDLKF8,50Hz	19
CDLK/CDLKF16,50Hz	21
CDLK/CDLKF20,50Hz	23
CDLK/CDLKF1,60Hz	25
CDLK/CDLKF2,60Hz	27
CDLK/CDLKF3,60Hz	29
CDLK/CDLKF4,60Hz	31
CDLK/CDLKF8,60Hz	33
CDLK/CDLKF16,60Hz	35
CDLK/CDLKF20,60Hz	37

General Data

● Performance scope



● Product range

Description	CDLK1	CDLK2	CDLK3	CDLK4	CDLK8	CDLK16	CDLK20
50Hz							
Rated flow [m ³ /h]	1	2	3	4	8	16	20
Rated flow [l/s]	0.28	0.56	0.83	1.1	2.2	4.4	5.6
Flow range [m ³ /h]	0.4~2	1~3.5	1.2~4	1.5~8	5~12	8~22	10~28
Flow range [l/s]	0.11~0.56	0.28~0.97	0.33~1.1	0.42~2.2	1.4~3.3	2.2~6.1	2.8~7.8
Max. Pressure [bar]	21	23	22	21	21	22	23
Motor Power [kW]	0.37~2.2	0.37~3	0.37~3	0.37~4	0.75~7.5	2.2~15	1.1~18.5
Temperature range[°C]	-15 ~ +120						
Max. Efficiency[%]	44	46	54	59	64	66	69
60Hz							
Rated flow [m ³ /h]	1	2	3	4	8	16	20
Rated flow [l/s]	0.28	0.56	0.83	1.1	2.2	4.4	5.6
Flow range [m ³ /h]	0.6~2	1~4.5	1.5~5	2.5~9	7~14	10~26	12~34
Flow range [l/s]	0.17~0.56	0.28~1.25	0.42~1.4	0.7~2.5	1.9~3.9	2.8~7.2	3.3~9.4
Max. Pressure [bar]	22	23.5	23	21	20	20	20
Motor power [kW]	0.37~3	0.55~4	0.37~4	0.75~5.5	0.75~11	2.2~18.5	2.2~18.5
Temperature range[°C]	-15 ~ +120						
Max. Efficiency [%]	44	46	54	59	64	66	69
Material type							
ASTM 25B Pump head Cast iron	●	●	●	●	●	●	●
AISI 304 Pump head Stainless steel	●	●	●	●	●	●	●
Pipe connection	G1 ¹ / ₄ "	G1 ¹ / ₄ "	G1 ¹ / ₄ "	G1 ¹ / ₄ "	G2"	G2"	G2"

● Application

CDLK/CDLK F is used for conveying cooling liquid, lubricating liquid and condensation water of machine tools, industrial cleaning equipment or other cases that application of immersed pump is suitable, and is applicable to various temperature, flow and pressure ranges. CDLK F is applicable to low-corrosive liquid.

● Concretely, it is applicable to electric spark, lathe, grinding machine, processing center, cooling devices, industrial cleaning equipment, filtering system etc.

● Performance curve

- 1、 All curves are based on the measured values of 50Hz: constant motor speed 2900r/min, 60 Hz: constant motor speed 3500 r/min;
- 2、 The allowable tolerance of the curve complies with ISO9906 Annex A.
- 3、 For measurement, air-free water with temperature 20°C and kinematical viscosity 1 mm²/s.
- 4、 The pump application is in reference to performance scope of Heavy line to prevent overheating due to too low flow and motor overload due to too high flow-rate Etc.

General Data

● Motor

- The motor is fully-sealed, air-cooling standard motor 2 poles
- Protection class: IP55
- Insulation class: F
- Standard voltage, 50Hz: 1 × 220 - 230/240V
3 × 200/346V
3 × 220 - 240/380 - 415V
3 × 220 - 255/380 - 440V
- Standard voltage, 60 Hz: 3 × 220 - 230/346 - 440V
3 × 220 - 255/380 - 440V
3 × 220 - 277/380 - 480V

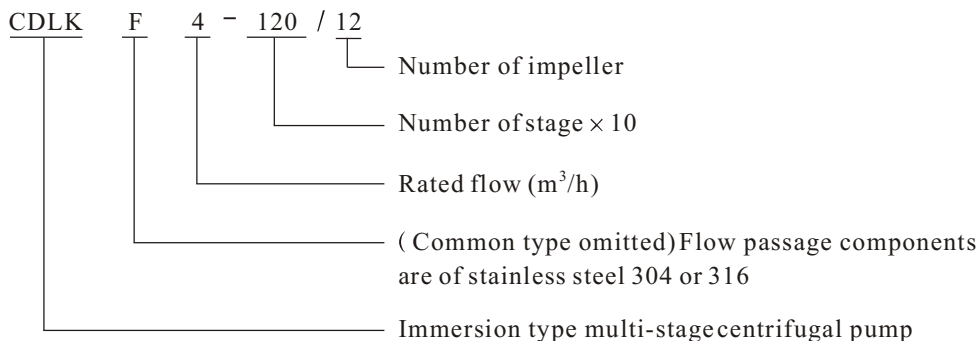
Motors for other voltages can be supplied according to the requirement.

Single phase motors with 0.37 ~ 2.2kW are available.

● Pump

CDLK/CDLKF is non-self priming multi-stage centrifugal pump installed with standard motor. The motor shaft is directly connected with the pump shaft through coupling. According to the requirement, the pump can be equipped with intelligent protector, which effectively protects pump from dry rotation, phase lack, overload etc. In order to meet the requirement of installation depth of the water tank or vessel, it is possible to install cavity body for changing length of the pump. Length for different number of stages is shown in the dimensions & weight table and the table of products supplying scope.

● Definition of Model



● Operation conditions

● Thin, clean non-explosive liquid without solid grains and fibres; can be used for conveying of water, cooling water solution and cutting lubricating liquid.

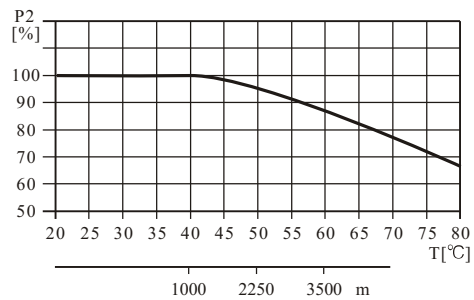
● Liquid temperature:

Normal temperature type: -15°C ~ +70°C

Warm water type: +70°C ~ 120°C

● Max. Ambient temperature

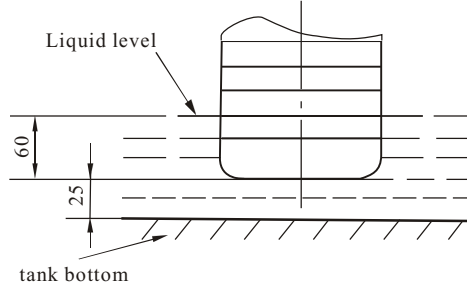
When the pump operates under ambient temperature higher than 40°C or under altitude higher than 1000m, because of low air density and poor cooling effects, the motor output power P₂ will be decreased to certain extent. If the pump is operated under the above-said conditions, it should be equipped with motor of higher power.



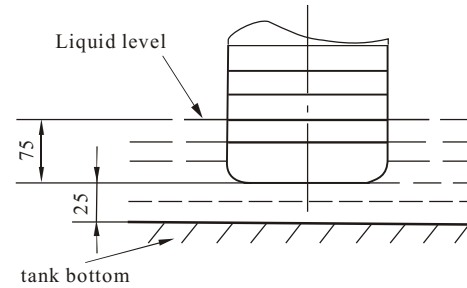
Installation of pump

The dimensions shown in the below drawing are the minimum installation ones:

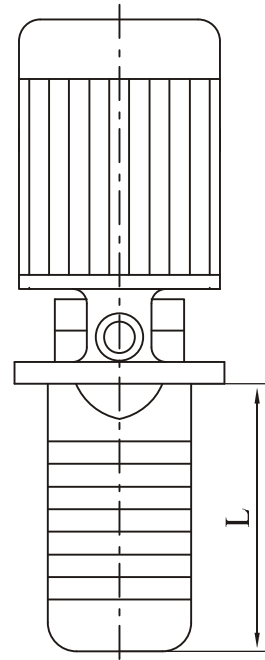
CDLK/CDLKF1, 2, 3, 4



CDLK/CDLKF8, 16, 20



Installation sketch



Scope of available products

Diagram	Stages	Number of impellers																L (mm)						
		2	3	4	5	6	7	8	9	10	11	12	13	15	17	19	21		23	25	27	30	33	36
CDLK1 50Hz	20	●																						123
	30	○	●																					141
	40	○	○	●																				159
	50	○	○	○	●																			177
	60	○	○	○	○	●																		195
	70	○	○	○	○	○	●																	213
	80	○	○	○	○	○	○	●																231
	90	○	○	○	○	○	○	○	●															249
	100	○	○	○	○	○	○	○	○	●														267
	110	○	○	○	○	○	○	○	○	○	●													285
	120	○	○	○	○	○	○	○	○	○	○	●												303
	130	○	○	○	○	○	○	○	○	○	○	○	●											321
	150	○	○	○	○	○	○	○	○	○	○	○	○	●										357
	170	○	○	○	○	○	○	○	○	○	○	○	○	○	●									393
	190	○	○	○	○	○	○	○	○	○	○	○	○	○	○	●								429
	210	○	○	○	○	○	○	○	○	○	○	○	○	○	○	○	●							465
	230	○	○	○	○	○	○	○	○	○	○	○	○	○	○	○	○	●						501
	250	○	○	○	○	○	○	○	○	○	○	○	○	○	○	○	○	○	●					537
270	○	○	○	○	○	○	○	○	○	○	○	○	○	○	○	○	○	○	●				573	
300	○	○	○	○	○	○	○	○	○	○	○	○	○	○	○	○	○	○	○	●			627	
330	○	○	○	○	○	○	○	○	○	○	○	○	○	○	○	○	○	○	○	○	●		681	
360	○	○	○	○	○	○	○	○	○	○	○	○	○	○	○	○	○	○	○	○	○	●	735	
Motor (kW)		0.37	0.55	0.75	1.1	1.5	2.2																	

● Basic Type ○ Available on request

Diagram	Stages	Number of impellers												L (mm)									
		2	3	4	5	6	7	9	11	13	15	18	22		26								
CDLK2 50Hz	20	●																					123
	30	○	●																				141
	40	○	○	●																			159
	50	○	○	○	●																		177
	60	○	○	○	○	●																	195
	70	○	○	○	○	○	●																213
	90	○	○	○	○	○	○	●															249
	110	○	○	○	○	○	○	○	●														285
	130	○	○	○	○	○	○	○	○	●													321
	150	○	○	○	○	○	○	○	○	○	●												357
	180	○	○	○	○	○	○	○	○	○	○	●											411
	220	○	○	○	○	○	○	○	○	○	○	○	○	●									483
260	○	○	○	○	○	○	○	○	○	○	○	○	○	○	○	○	○	○	○	○	○	○	555
Motor (kW)		0.37	0.55	0.75	1.1	1.5	2.2	3.0															

E.g.: pump model:CDLK2-260/5

General Data

● Scope of available products

Diagram	Stages	Number of impellers										L (mm)			
		2	3	4	5	6	7	8	10	12	14		16		
CDLK4 60Hz	Number of cavities × 10	20	●												148
		30	○	●											175
		40	○	○	●										202
		50	○	○	○	●									229
		60	○	○	○	○	●								256
		70	○	○	○	○	○	●							283
		80	○	○	○	○	○	○	●						310
		100	○	○	○	○	○	○	○	●					364
		120	○	○	○	○	○	○	○	○	●				418
		140	○	○	○	○	○	○	○	○	○	●			472
		160	○	○	○	○	○	○	○	○	○	○	●		526
		190	○	○	○	○	○	○	○	○	○	○	○	●	607
220	○	○	○	○	○	○	○	○	○	○	○	○	●	688	
Motor (kW)		0.75	1.1	1.5	2.2	3.0	4.0	5.5							

Diagram	Stages	Number of impellers								L (mm)				
		2	3	4	5	6	8	10	12		14			
CDLK8 60Hz	Number of cavities × 10	20	●											150
		30	○	●										180
		40	○	○	●									210
		50	○	○	○	●								240
		60	○	○	○	○	●							270
		80	○	○	○	○	○	●						330
		100	○	○	○	○	○	○	●					390
		120	○	○	○	○	○	○	○	●				450
		140	○	○	○	○	○	○	○	○	●			510
		160	○	○	○	○	○	○	○	○	○	●		570
		180	○	○	○	○	○	○	○	○	○	○	●	630
		200	○	○	○	○	○	○	○	○	○	○	○	●
Motor (kW)		1.5	2.2	3.0	4.0	5.5	7.5	11						

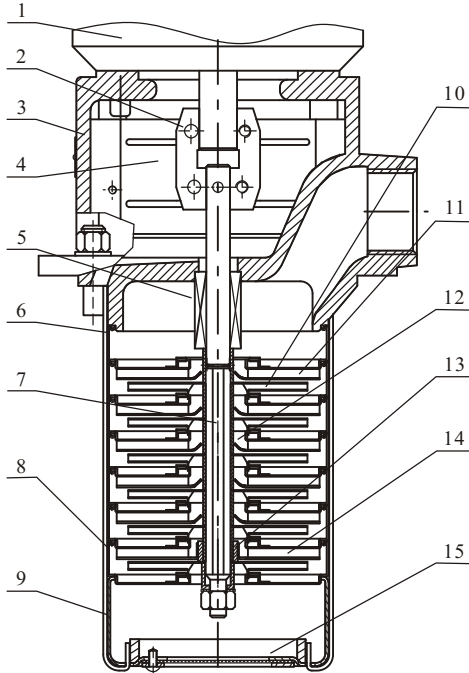
Diagram	Stages	Number of impellers							L (mm)			
		2	3	4	5	6	7	8		10		
CDLK16 60Hz	Number of cavities × 10	20	●							180		
		30	○	●						225		
		40	○	○	●					270		
		50	○	○	○	●				315		
		60	○	○	○	○	●			360		
		70	○	○	○	○	○	●		405		
		80	○	○	○	○	○	○	●	450		
		100	○	○	○	○	○	○	○	●	540	
		120	○	○	○	○	○	○	○	○	●	630
		140	○	○	○	○	○	○	○	○	○	●
160	○	○	○	○	○	○	○	○	○	○	●	810
Motor (kW)		4	5.5	7.5	11	15	18.5					

Diagram	Stages	Number of impellers								L (mm)		
		2	3	4	5	6	7	8	10			
CDLK20 60Hz	Number of cavities × 10	20	●							180		
		30	○	●						225		
		40	○	○	●					270		
		50	○	○	○	●				315		
		60	○	○	○	○	●			360		
		70	○	○	○	○	○	●		405		
		80	○	○	○	○	○	○	●	450		
		100	○	○	○	○	○	○	○	●	540	
		120	○	○	○	○	○	○	○	○	●	630
		140	○	○	○	○	○	○	○	○	○	●
170	○	○	○	○	○	○	○	○	○	○	●	855
Motor (kW)		4.0	5.5	7.5	11	15	18.5					

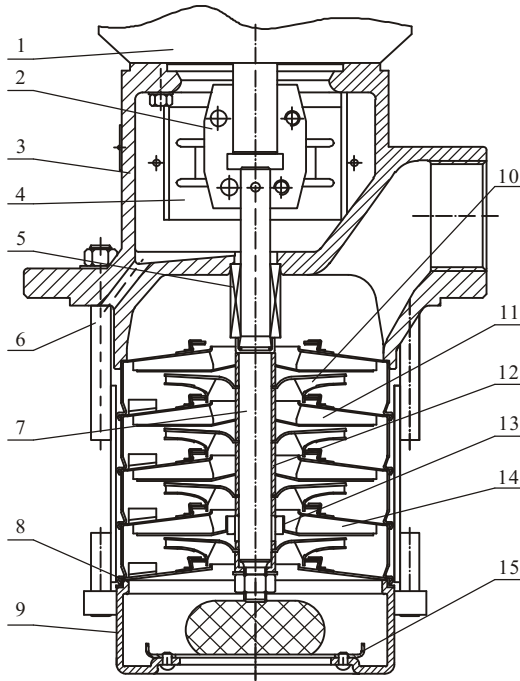
● Basic Type ○ Available on request

E.g.: pump model:CDLK20-170/4

Section drawing CDLK/CDLKF1,2,3,4



Section drawing CDLK/CDLKF8,16,20



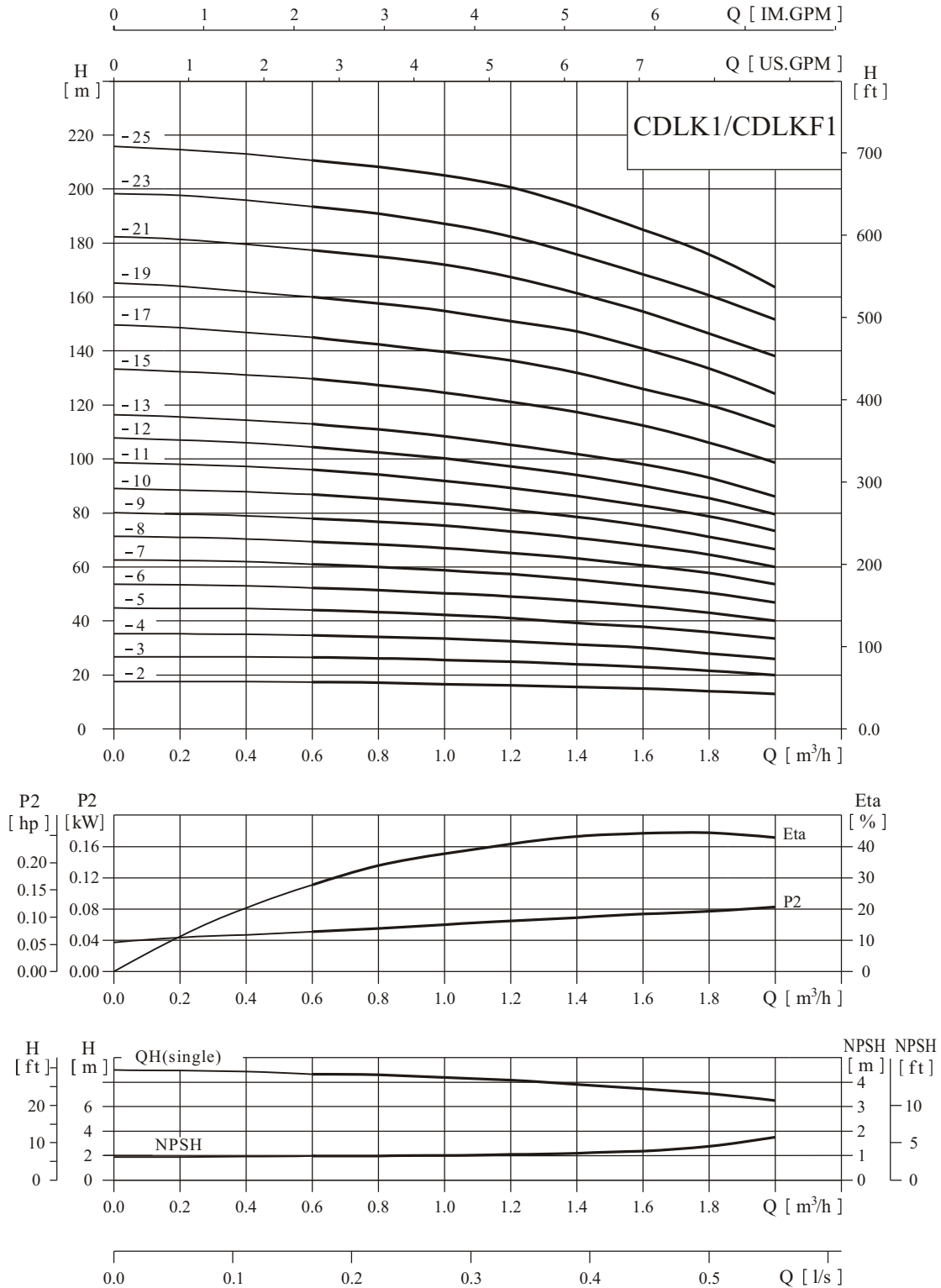
Material

NO.	Name	Material	AISI/ASTM
1	Motor		
2	Coupling	Carbon steel	
4	Coupling guard	Stainless steel	AISI304
5	Mechanical seal		
6	Straps	Stainless steel	AISI304
7	Shaft	Stainless steel	AISI316
8	Inducer	Stainless steel	AISI304
9	Suction head	Stainless steel	AISI304
10	Impeller	Stainless steel	AISI304
11	Diffuser	Stainless steel	AISI304
12	Impeller sleeve	Stainless steel	AISI304
13	Bearing	Tungsten carbide	
14	Support diffuser	Stainless steel	AISI304
15	Strainer	Stainless steel	AISI304
	Rubber parts	FPM	
CDLK			
3	Pump head	Cast iron	ASTM25B
CDLKF			
3	Pump head	Stainless steel	AISI304

CDLK/CDLKF1,60Hz

● Performance curve

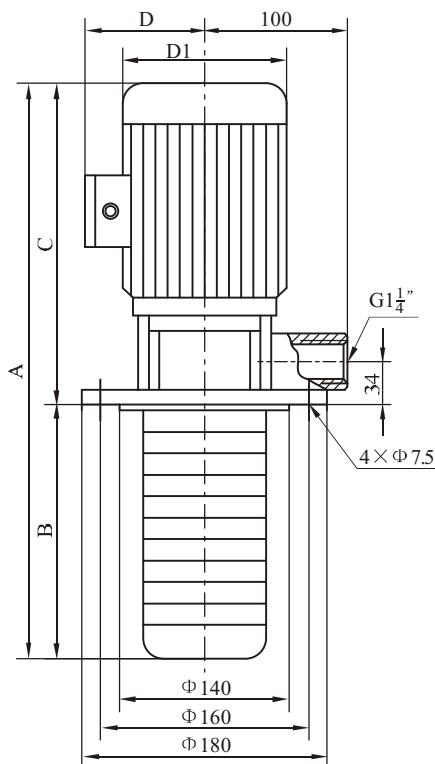
ISO9906 Annex A



● Performance table

Model	Power (kW)	Q (m ³ /h)	0.6	0.8	1	1.2	1.4	1.6	1.8	2
CDLK1-20/2	0.37	H (m)	17.5	17	16.5	16	15.5	15	14	13
CDLK1-30/3	0.37		26.5	26	25	24	23	22	21	20
CDLK1-40/4	0.37		35	34	33	32	31	30	28	26
CDLK1-50/5	0.55		43	42	41	40	39	38	35	33
CDLK1-60/6	0.55		52	51	50	48	47	45	43	39
CDLK1-70/7	0.75		60	59	58	56	55	52	50	46
CDLK1-80/8	0.75		68	67	65	64	62	59	57	53
CDLK1-90/9	0.75		76	75	74	73	71	66	64	60
CDLK1-100/10	1.1		85	84	83	81	78	74	72	67
CDLK1-110/11	1.1		95	93	90	87	85	81	78	73
CDLK1-120/12	1.1		103	102	98	96	92	88	86	79
CDLK1-130/13	1.1		112	110	107	105	100	95	93	86
CDLK1-150/15	1.5		127	125	123	121	117	112	107	99
CDLK1-170/17	1.5		144	141	139	137	132	124	120	112
CDLK1-190/19	2.2		160	157	155	153	147	141	134	124
CDLK1-210/21	2.2		177	174	172	168	162	153	147	138
CDLK1-230/23	2.2		193	190	188	184	174	167	161	152
CDLK1-250/25	3		210	207	205	202	192	184	176	164

● Installation sketch



● Size and weight

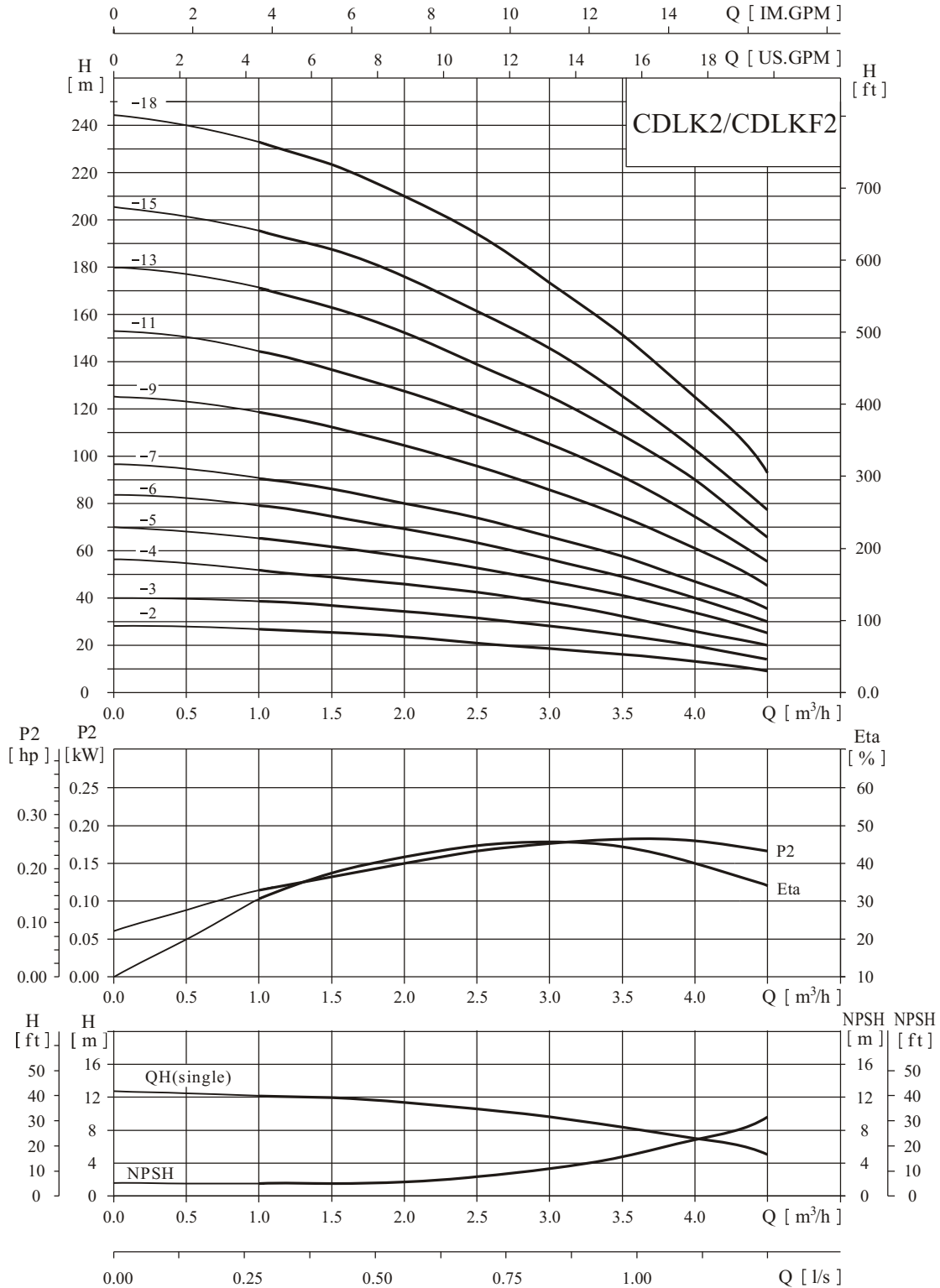
Model	Size (mm)					Weight (kg)
	A	B	C	D	D1	
CDLK1-20/2	438	123	315	117	148	15
CDLK1-30/3	456	141	315	117	148	15
CDLK1-40/4	474	159	315	117	148	15
CDLK1-50/5	492	177	315	117	148	16
CDLK1-60/6	510	195	315	117	148	16
CDLK1-70/7	571	213	358	142	170	19
CDLK1-80/8	589	231	358	142	170	19
CDLK1-90/9	607	249	358	142	170	20
CDLK1-100/10	625	267	358	142	170	22
CDLK1-110/11	643	285	358	142	170	22
CDLK1-120/12	661	303	358	142	170	24
CDLK1-130/13	679	321	358	142	170	24
CDLK1-150/15	770	357	413	155	190	29
CDLK1-170/17	806	393	413	155	190	29
CDLK1-190/19	842	429	413	155	190	33
CDLK1-210/21	878	465	413	155	190	33
CDLK1-230/23	914	501	413	155	190	33
CDLK1-250/25	985	537	448	165	197	40

The overall dimensions of the single-phase motor and explosion-proof motor are a little changed. Pls contact us for details.

CDLK/CDLK2,60Hz

● Performance curve

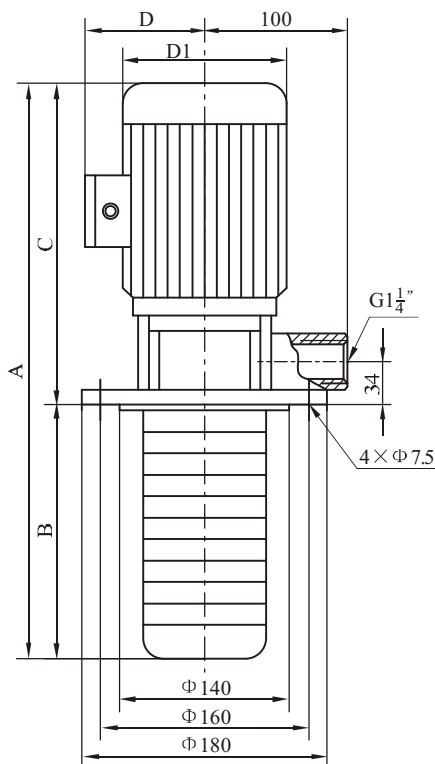
ISO9906 Annex A



● Performance table

Model	Power (kW)	Q (m ³ /h)	1	1.5	2	2.5	3	3.5	4	4.5
CDLK2-20/2	0.55	H (m)	26	24	22	21	18	16	12	9
CDLK2-30/3	0.75		39	36	33	31	27	24	19	15
CDLK2-40/4	1.1		52	48	45	42	36	32	26	20
CDLK2-50/5	1.1		65	60	57	52	46	41	32	25
CDLK2-60/6	1.1		78	74	69	63	56	49	40	30
CDLK2-70/7	1.5		91	86	81	74	66	57	47	35
CDLK2-90/9	2.2		117	111	104	95	86	75	61	45
CDLK2-110/11	2.2		143	136	128	116	104	90	75	56
CDLK2-130/13	3		171	163	152	139	126	108	90	66
CDLK2-150/15	3		195	186	176	160	142	125	103	77
CDLK2-180/18	4		234	228	212	195	171	151	126	94

● Installation sketch



● Size and weight

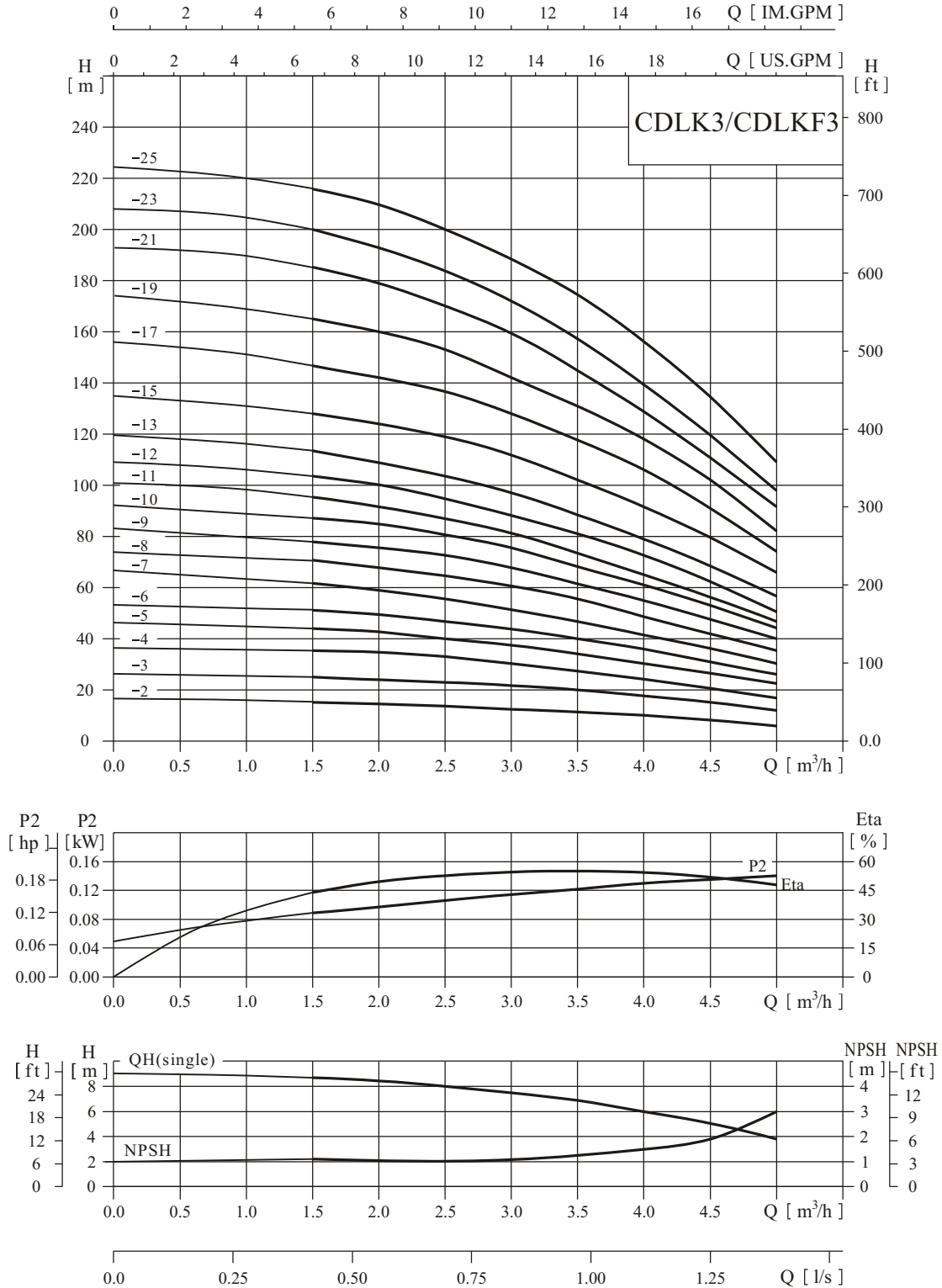
Model	Size (mm)					Weight (kg)
	A	B	C	D	D1	
CDLK2-20/2	438	123	315	117	148	15
CDLK2-30/3	499	141	358	142	170	18
CDLK2-40/4	517	159	358	142	170	20
CDLK2-50/5	535	177	358	142	170	20
CDLK2-60/6	553	195	358	142	170	22
CDLK2-70/7	626	213	413	155	190	27
CDLK2-90/9	662	249	413	155	190	31
CDLK2-110/11	698	285	413	155	190	31
CDLK2-130/13	769	321	448	165	197	37
CDLK2-150/15	805	357	448	165	197	37
CDLK2-180/18	879	411	468	185	230	42

The overall dimensions of the single-phase motor and explosion-proof motor are a little changed. Pls contact us for details.

CDLK/CDLKF3,60Hz

● Performance curve

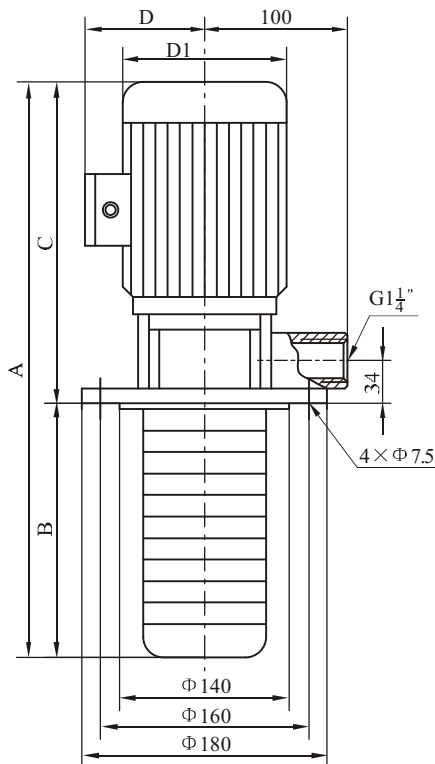
ISO9906 Annex A



● Performance table

Model	Power (kW)	Q (m ³ /h)	1.5	2	2.5	3	3.5	4	4.5	5
CDLK3-20/2	0.37	H (m)	17.5	16	15	14	13	11	9	8
CDLK3-30/3	0.55		26.5	25	24	23	20	18	15	12
CDLK3-40/4	0.55		35	34	32	30	27	25	20	17
CDLK3-50/5	0.75		44	42	40	38	33	31	26	23
CDLK3-60/6	1.1		51	50	48	45	40	37	32	27
CDLK3-70/7	1.1		61	59	56	52	46	43	38	31
CDLK3-80/8	1.1		70	67	64	61	53	49	44	35
CDLK3-90/9	1.5		78	77	72	68	60	56	50	40
CDLK3-100/10	1.5		87	84	81	76	68	63	55	44
CDLK3-110/11	1.5		96	92	87	82	74	69	59	48
CDLK3-120/12	2.2		104	100	96	90	79	73	63	52
CDLK3-130/13	2.2		112	109	104	98	86	80	69	57
CDLK3-150/15	2.2		129	126	120	112	99	93	81	65
CDLK3-170/17	2.2		147	143	137	128	114	106	91	74
CDLK3-190/19	3		165	160	153	142	126	118	102	82
CDLK3-210/21	3		183	178	170	160	141	129	112	91
CDLK3-230/23	3		200	194	185	174	154	142	122	98
CDLK3-250/25	4		217	211	202	187	167	154	134	108

● Installation sketch



● Size and weight

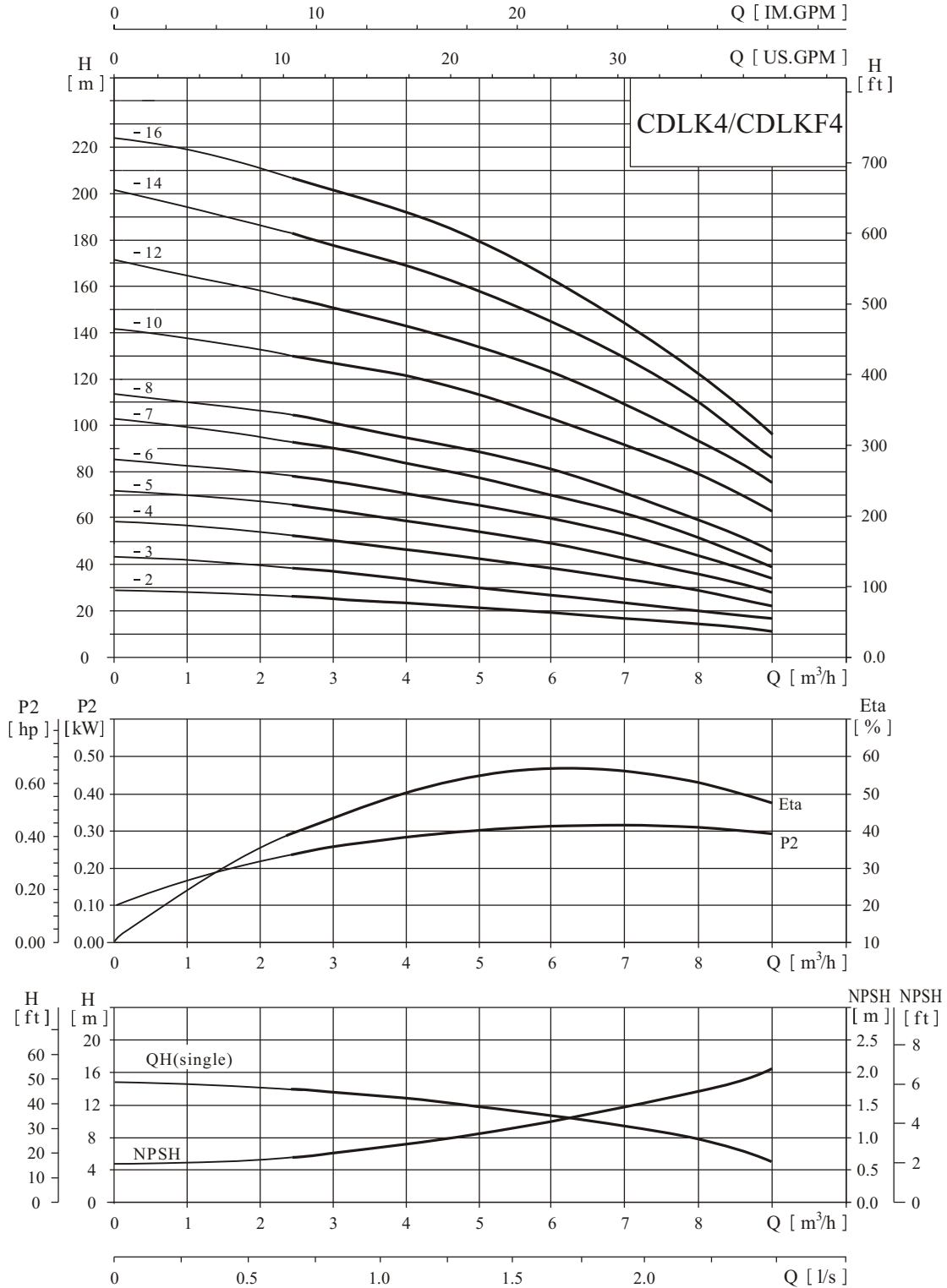
Model	Size (mm)					Weight (kg)
	A	B	C	D	D1	
CDLK3-20/2	438	123	315	117	148	15
CDLK3-30/3	456	141	315	117	148	15
CDLK3-40/4	474	159	315	117	148	15
CDLK3-50/5	535	177	358	142	170	19
CDLK3-60/6	553	195	358	142	170	21
CDLK3-70/7	571	213	358	142	170	22
CDLK3-80/8	589	231	358	142	170	22
CDLK3-90/9	662	249	413	155	190	27
CDLK3-100/10	680	267	413	155	190	28
CDLK3-110/11	698	285	413	155	190	28
CDLK3-120/12	716	303	413	155	190	31
CDLK3-130/13	734	321	413	155	190	31
CDLK3-150/15	770	357	413	155	190	32
CDLK3-170/17	806	393	413	155	190	32
CDLK3-190/19	877	429	448	165	197	37
CDLK3-210/21	913	465	448	165	197	38
CDLK3-230/23	949	501	448	165	197	38
CDLK3-250/25	1005	537	468	185	230	44

The overall dimensions of the single-phase motor and explosion-proof motor are a little changed. Pls contact us for details.

CDLK/CDLKF4,60Hz

● Performance curve

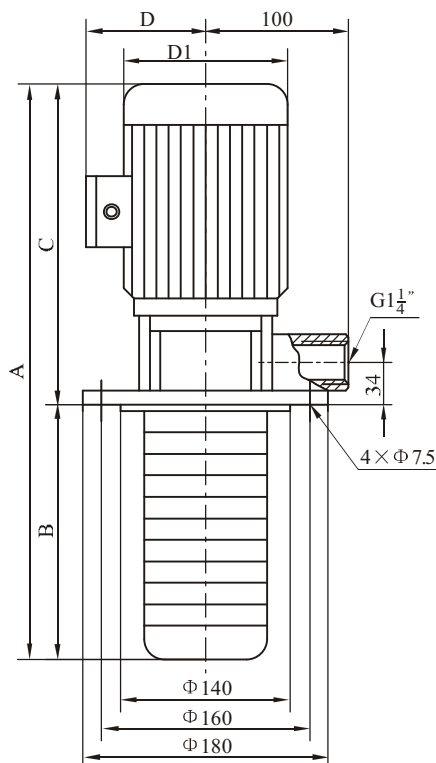
ISO9906 Annex A



● Performance table

Model	Power (kW)	Q (m ³ /h)	2.5	3	4	5	6	7	8	9
CDLK4-20/2	0.75	H (m)	26	25	23	21	19	16	14	11
CDLK4-30/3	1.1		39	38	36	32	28	24	21	18
CDLK4-40/4	1.5		52	50	48	44	38	35	31	22
CDLK4-50/5	2.2		65	62	60	55	49	44	39	27
CDLK4-60/6	2.2		78	75	72	67	59	54	47	33
CDLK4-70/7	3		92	88	84	78	69	62	55	38
CDLK4-80/8	3		104	100	95	90	79	72	63	44
CDLK4-100/10	4		130	125	120	113	102	90	80	61
CDLK4-120/12	4		156	150	145	136	122	109	96	74
CDLK4-140/14	5.5		182	176	170	159	145	129	112	86
CDLK4-160/16	5.5		207	201	196	183	165	146	128	98

● Installation sketch



● Size and weight

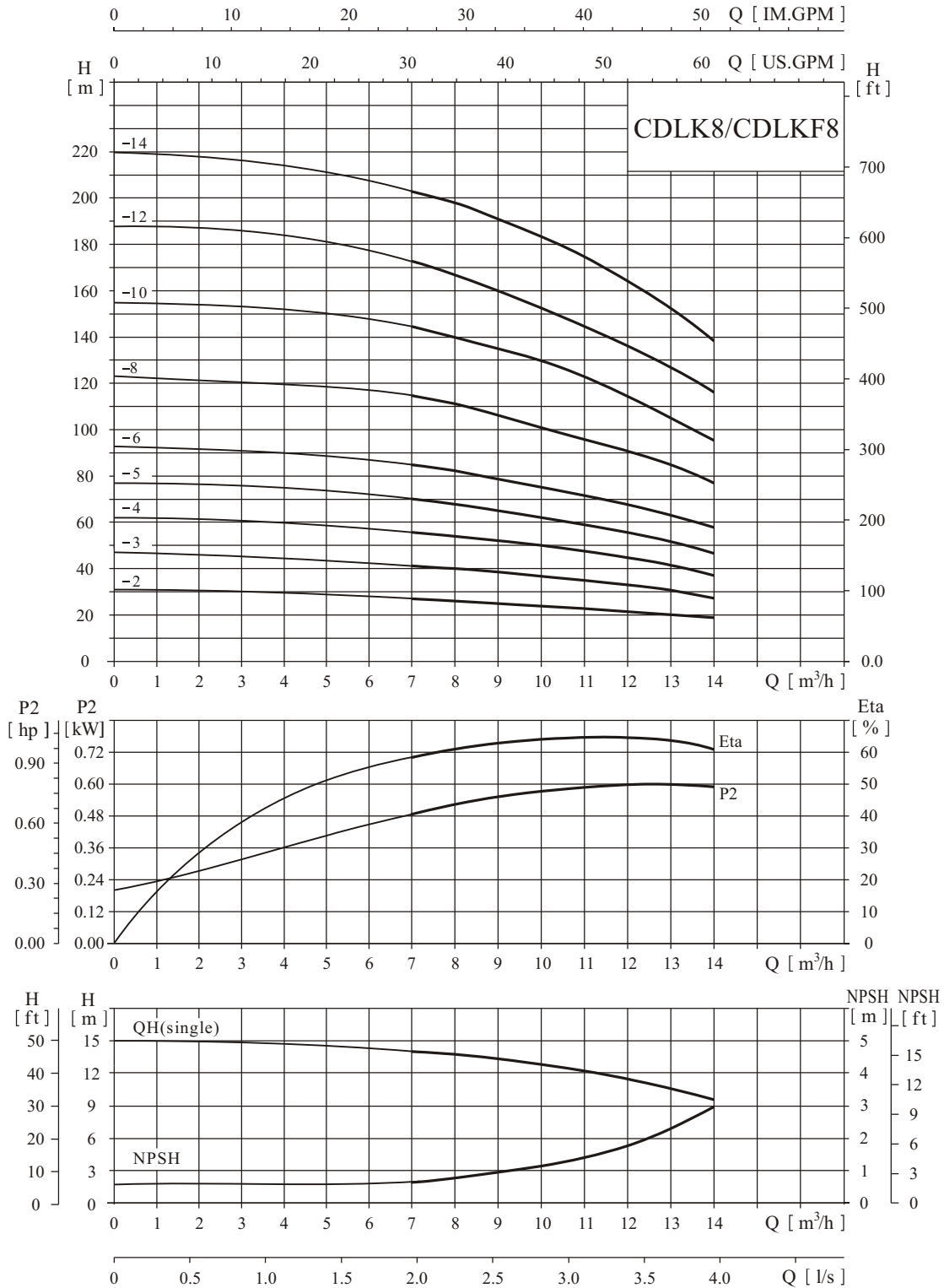
Model	Size (mm)					Weight (kg)
	A	B	C	D	D1	
CDLK4-20/2	506	148	358	142	170	15
CDLK4-30/3	533	175	358	142	170	18
CDLK4-40/4	615	202	413	155	190	23
CDLK4-50/5	642	229	413	155	190	27
CDLK4-60/6	669	256	413	155	190	27
CDLK4-70/7	731	283	448	165	197	33
CDLK4-80/8	758	310	448	165	197	33
CDLK4-100/10	832	364	468	185	230	38
CDLK4-120/12	886	418	468	185	230	38
CDLK4-140/14	1055	472	583	210	260	63
CDLK4-160/16	1109	526	583	210	260	65

The overall dimensions of the single-phase motor and explosion-proof motor are a little changed. Pls contact us for details.

CDLK/CDLKF8,60Hz

● Performance curve

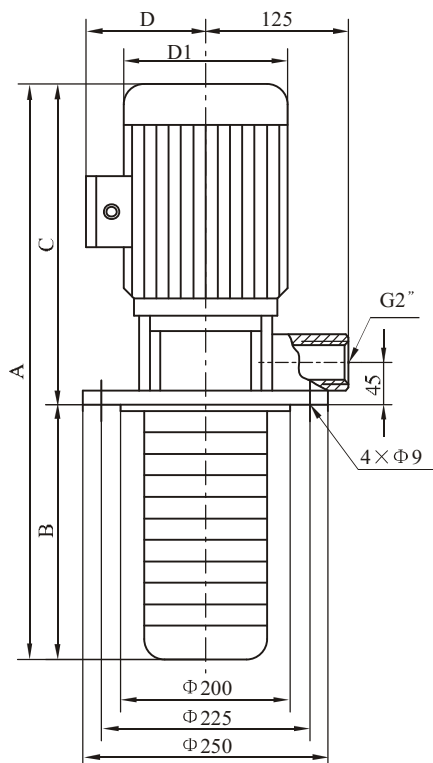
ISO9906 Annex A



● Performance table

Model	Power (kW)	Q (m ³ /h)	7	8	9	10	11	12	13	14
CDLK8-20/2	1.5	H (m)	27	26	25	24	23	22	20	18
CDLK8-30/3	2.2		41	40	38	37	35	33	30	28
CDLK8-40/4	3		55	54	52	50	47	45	41	38
CDLK8-50/5	3		70	68	65	63	59	56	52	47
CDLK8-60/6	4		85	82	78	76	72	68	62	57
CDLK8-80/8	5.5		115	110	105	101	97	91	84	75
CDLK8-100/10	7.5		145	140	132	126	122	115	105	95
CDLK8-120/12	7.5		173	167	160	152	147	132	125	115
CDLK8-140/14	11		202	195	188	179	174	163	147	135

● Installation sketch



● Size and weight

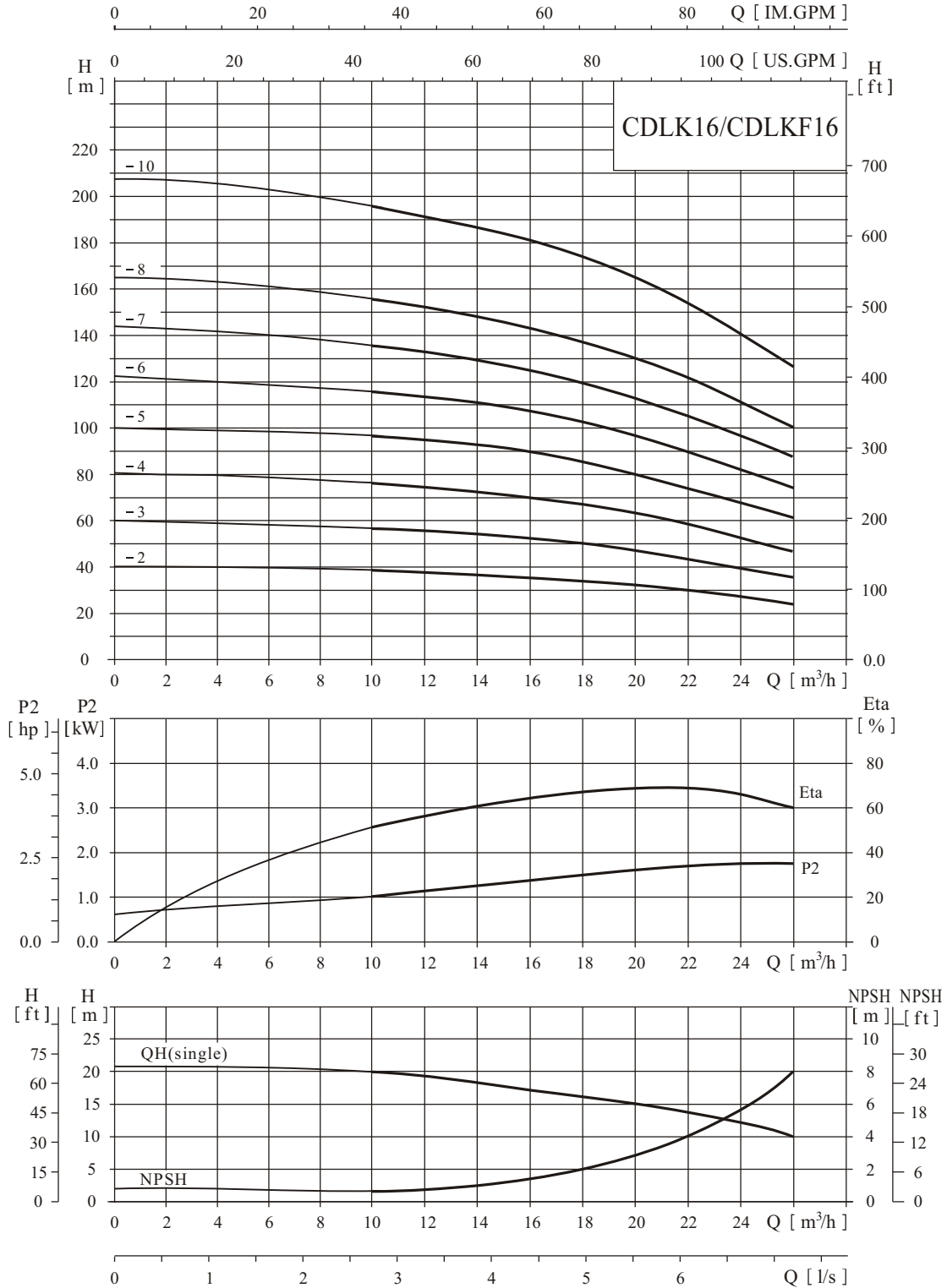
Model	Size (mm)					Weight (kg)
	A	B	C	D	D1	
CDLK8-20/2	569	150	419	155	190	32
CDLK8-30/3	599	180	419	155	190	37
CDLK8-40/4	664	210	454	165	197	45
CDLK8-50/5	694	240	454	165	197	47
CDLK8-60/6	744	270	474	185	230	52
CDLK8-80/8	919	330	589	210	260	72
CDLK8-100/10	979	390	589	210	260	78
CDLK8-120/12	1039	450	589	210	260	80
CDLK8-140/14	1200	510	690	255	330	135

The overall dimensions of the single-phase motor and explosion-proof motor are a little changed. Pls contact us for details.

CDLK/CDLKF16,60Hz

● Performance curve

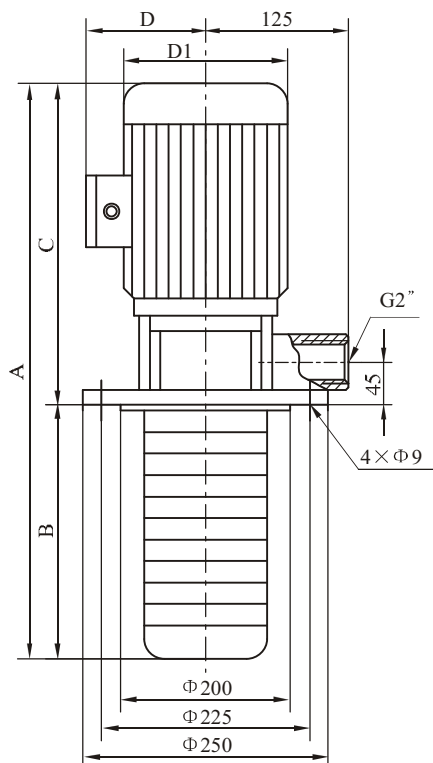
ISO9906 Annex A



● Performance table

Model	Power (kW)	Q (m ³ /h)	10	12	14	16	18	20	22	24	26
CDLK16-20/2	4	H (m)	38	37	36	35	34	32	30	27	24
CDLK16-30/3	5.5		57	56	55	54	51	48	45	40	36
CDLK16-40/4	7.5		76	75	73	72	68	64	60	54	49
CDLK16-50/5	11		96	94	92	90	85	80	75	68	62
CDLK16-60/6	11		115	113	111	108	102	96	91	82	75
CDLK16-70/7	15		135	132	129	126	119	113	106	96	88
CDLK16-80/8	15		155	152	148	144	137	130	122	111	101
CDLK16-100/10	18.5		195	192	187	181	174	165	153	139	127

● Installation sketch



● Size and weight

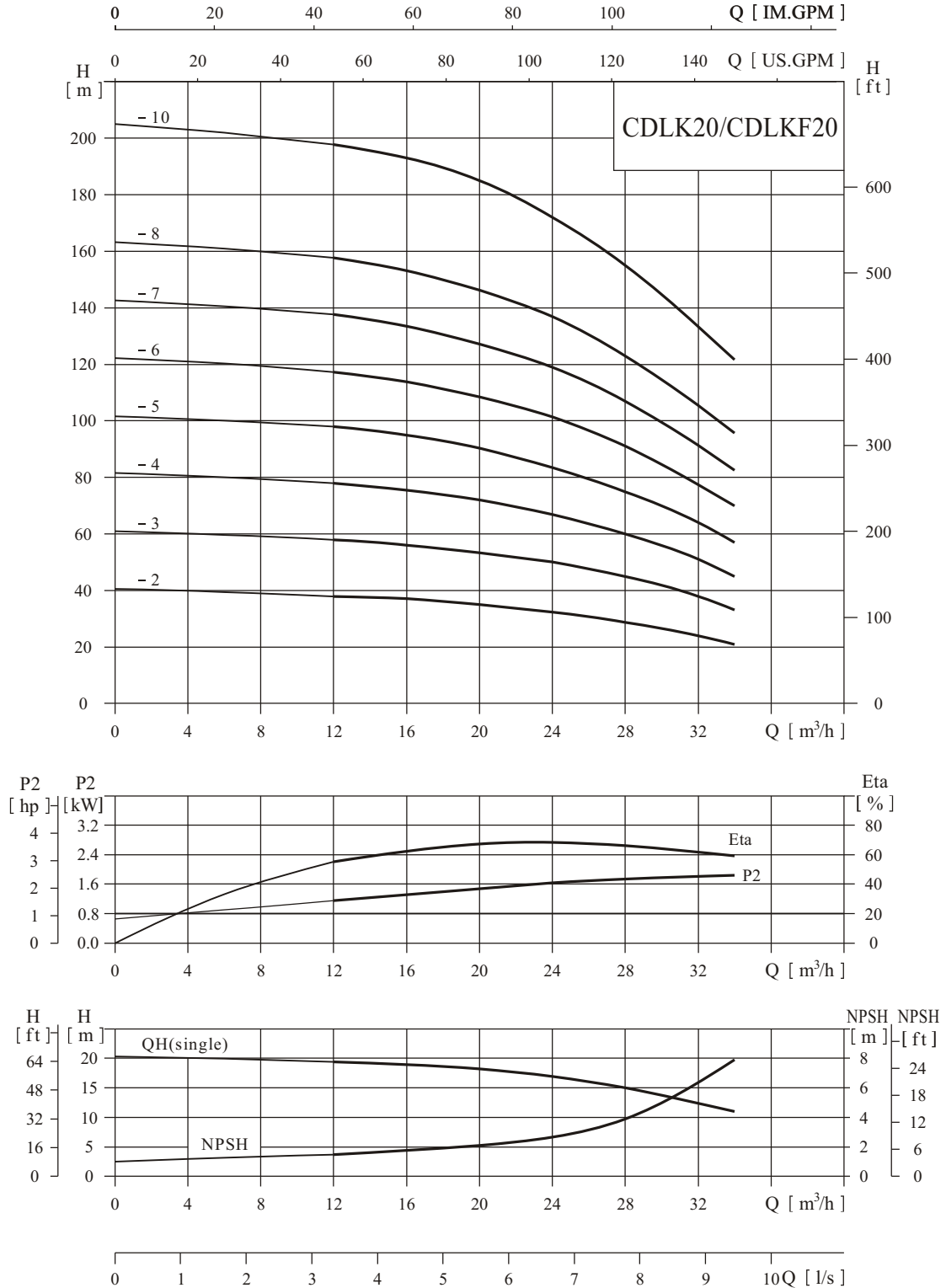
Model	Size (mm)					Weight (kg)
	A	B	C	D	D1	
CDLK16-20/2	654	180	474	185	230	50
CDLK16-30/3	814	225	589	210	260	65
CDLK16-40/4	859	270	589	210	260	75
CDLK16-50/5	1005	315	690	255	330	130
CDLK16-60/6	1050	360	690	255	330	132
CDLK16-70/7	1095	405	690	255	330	140
CDLK16-80/8	1140	450	690	255	330	140
CDLK16-100/10	1290	540	750	255	330	150

The overall dimensions of the single-phase motor and explosion-proof motor are a little changed. Pls contact us for details.

CDLK/CDLK20,60Hz

● Performance curve

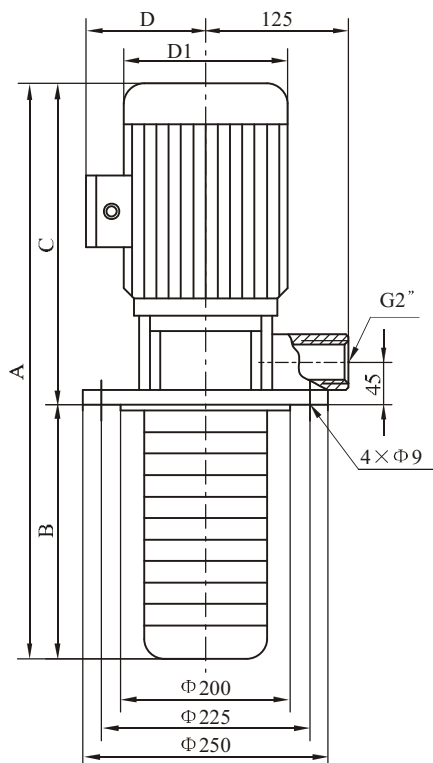
ISO9906 Annex A



● Performance table

Model	Power (kW)	Q (m ³ /h)	12	16	20	24	28	32	34
CDLK20-20/2	4	H (m)	38	37	35	32	29	24	21
CDLK20-30/3	5.5		58	56	53	50	45	38	33
CDLK20-40/4	7.5		78	75	72	67	60	51	45
CDLK20-50/5	11		98	94	90	85	75	64	57
CDLK20-60/6	11		118	113	108	102	91	77	70
CDLK20-70/7	15		138	133	127	119	107	91	83
CDLK20-80/8	15		158	153	146	137	123	105	96
CDLK20-100/10	18.5		198	193	185	172	155	133	122

● Installation sketch



● Size and weight

Model	Size (mm)					Weight (kg)
	A	B	C	D	D1	
CDLK20-20/2	654	180	474	185	230	50
CDLK20-30/3	814	225	589	210	260	65
CDLK20-40/4	859	270	589	210	260	75
CDLK20-50/5	1005	315	690	255	330	130
CDLK20-60/6	1050	360	690	255	330	132
CDLK20-70/7	1095	405	690	255	330	140
CDLK20-80/8	1140	450	690	255	330	140
CDLK20-100/10	1290	540	750	255	330	150

The overall dimensions of the single-phase motor and explosion-proof motor are a little changed. Pls contact us for details.