

Features

- ① The pump is immersed in the liquids when in use
- ② Long and short-leg types available to suit various tank depths
- ③ EU RoHS Directive (Restriction of Use of Six Hazardous Substances) compliant
- ④ Meets the EU Directive for CE marking
- ⑤ China energy label regulation (GB18613-2012) efficiency-compliant unit (grade GB3) available
- ⑥ Enhanced protection against mist and other environmental elements



Structure

Non-seal (mechanical seal-less) structure. Cast iron is used in the pump's main unit.

How to read the model type

VKP 07 5

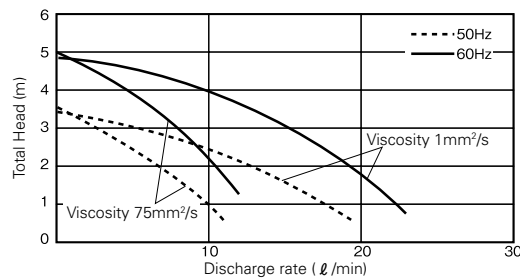
① ② ③ ④ ⑤ ⑥

- ① Model
- ② Output code (ex. 06: 100W)
- ③ Series
- ④ Number of phases and characteristics
- ⑤ Leg length* (F: 180mm; H: 250mm; K: 350mm)
- ⑥ Compliance with voltage/energy efficiency regulation (no description: standard; 4Z: different voltage)
 - G: China energy label regulation (GB18613-2012) efficiency-compliant unit (grade GB3) (200V, 50Hz)
 - GS: China energy label regulation (GB18613-2012) efficiency-compliant unit (grade GB3) (220/380V, 50Hz)

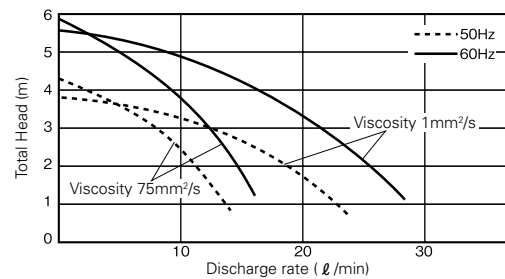
*Note: For VKP07~09 types only

Selection chart (performance drawings)

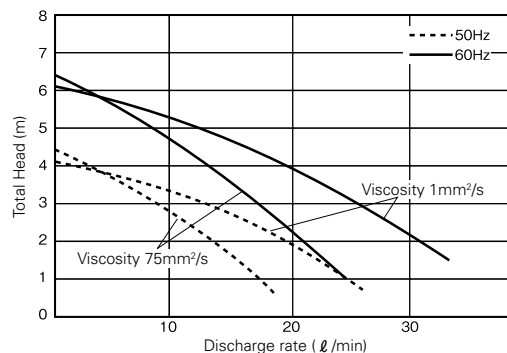
VKP035L



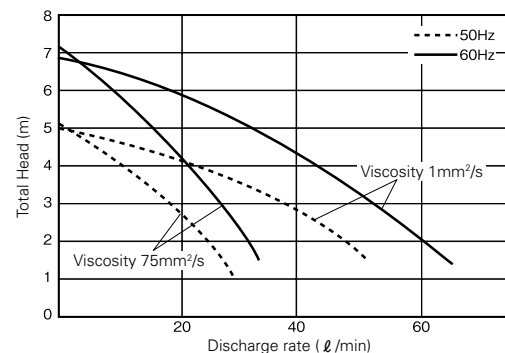
VKP045A (L)



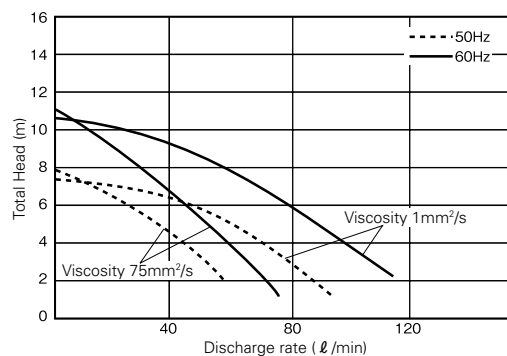
VKP055A/055A-4Z



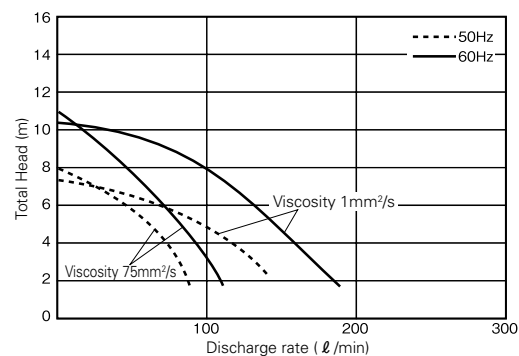
VKP065A/065A-4Z



VKP075A/075A-4Z/075J/075AH/075AK



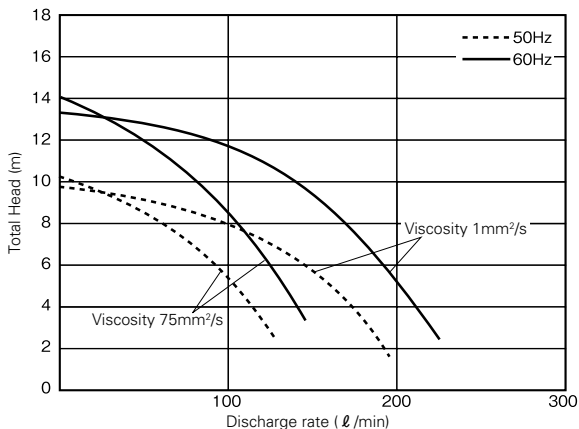
VKP085A/085A-4Z/085J/085AF/085AK



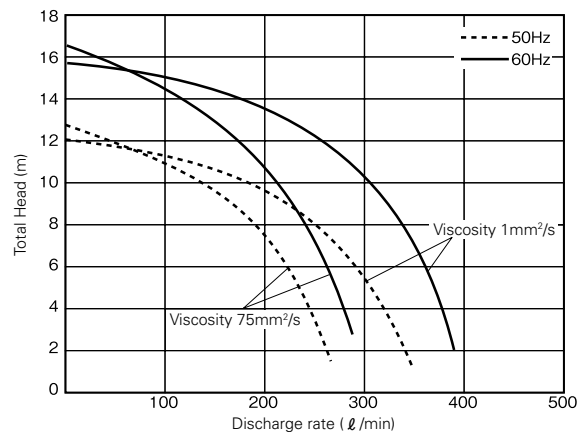
Notes 1. The discharge rate will vary significantly depending on the type of liquid circulated and the liquid's viscosity.
 2. There is virtually no change in characteristics according to leg length (LH130 to 350mm).

Selection chart (performance drawings)

VKP095A/095A-4Z/095J/095AF/095AK



VKP115A/115A-4Z/115A-G/115A-GS



Notes 1. The discharge rate will vary significantly depending on the type of liquid circulated and the liquid's viscosity.
2. There is virtually no change in characteristics according to leg length (LH130 to 350mm).

Specifications

Standard voltage

Specifications	Type	VKP035L*	VKP045A(L)*	VKP055A	VKP065A	VKP075A(AH)(AK)	VKP075J	VKP085A(AK)	VKP085J	VKP095A(AK)	VKP095J	VKP115A
Nominal output	(W)	20	40	60	100	180	180	250	250	400	400	750
Rated voltage	(V)	200 200 220	200 200 220	200 200 220	200 200 220	200 200 220	200 200 220	200 200 220	200 200 220	200 200 220	200 200 220	200 200 220
Frequency	(Hz)	50 60	50 60	50 60	50 60	50 60	50 60	50 60	50 60	50 60	50 60	50 60
Rated current	(A)	0.18 0.2 0.2	0.32 0.31 0.31	0.4 0.35 0.35	0.55 0.5 0.5	0.85 1.0 1.0	0.85 1.0 1.0	1.2 1.5 1.5	1.2 1.5 1.5	2.4 2.5 2.4	2.4 2.5 2.4	3.3 3.7 3.6
Discharge rate	(l/min)	13 19	19 25	20 30	45 60	75 100	75 95	110 160	110 145	140 200	155 200	165 285
Total head	(m)	2	1.5	2	2	3	3	4	4	5	5	7
Max. viscosity allowed	(mm²/s)	300 150	300 150	300 150	300 150	300 150	300 150	300 150	300 150	300 150	300 150	300 150
Outlet	(Rp)	1/4	1/4	3/8	3/8	1/2	1/2	3/4	3/4	1	1	2
Paint color		Munsell N1										
Standard		IEC60034-1 CE approved										
Degree of protection		IP23		IP54								

Different voltage

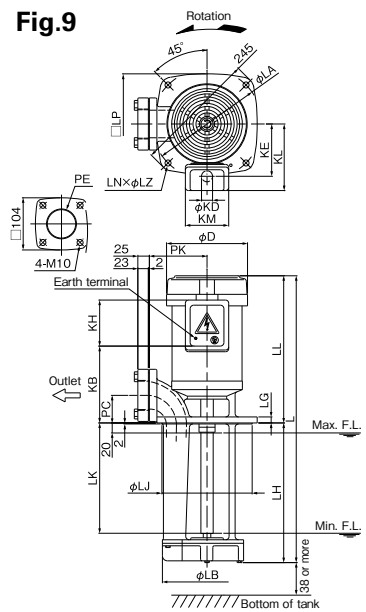
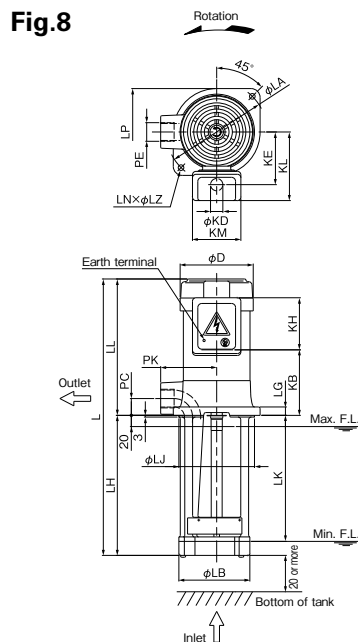
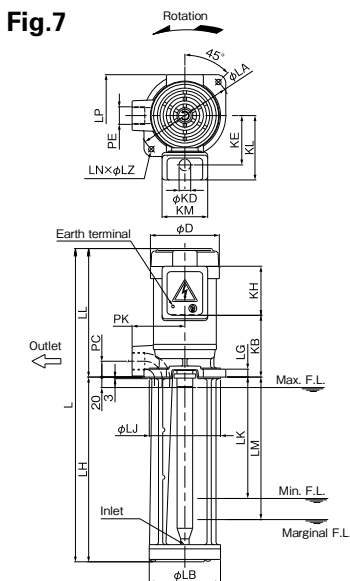
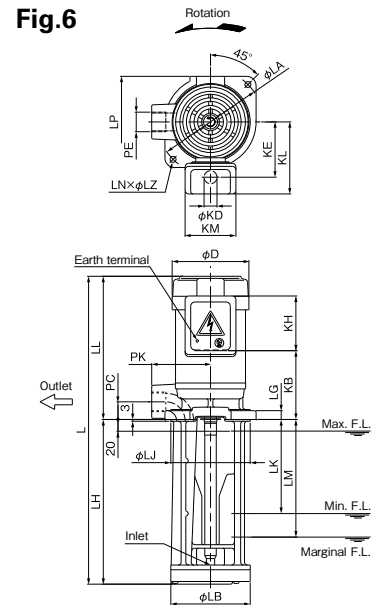
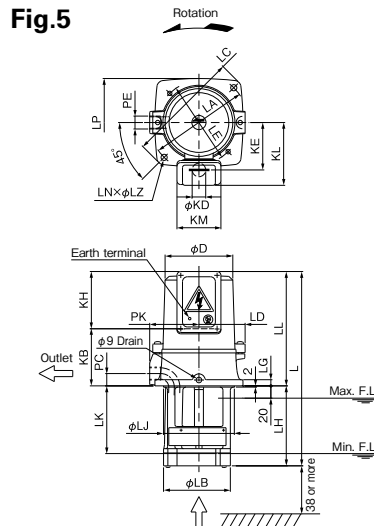
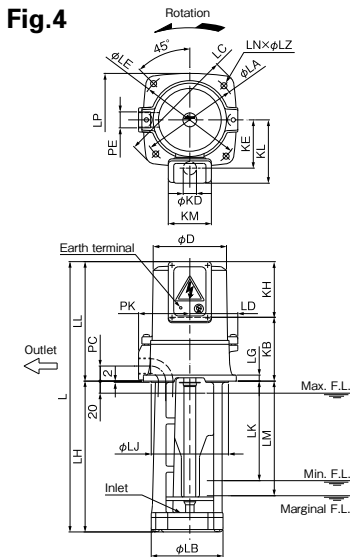
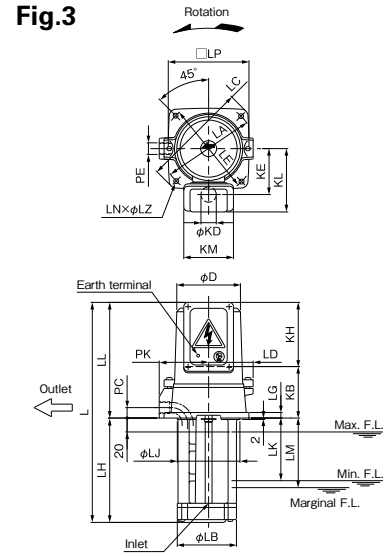
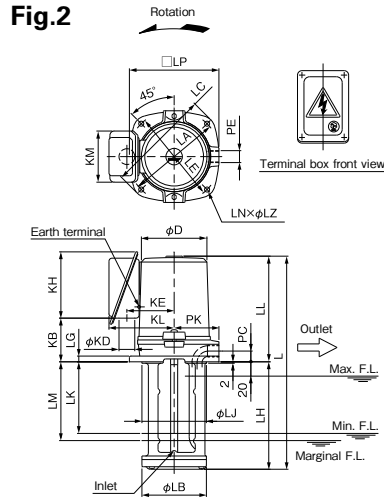
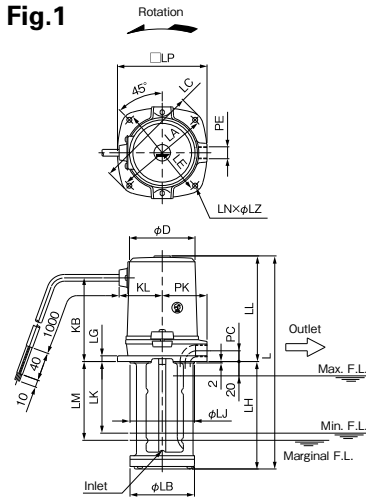
Specifications	Type	VKP045A-4Z	VKP055A-4Z	VKP065A-4Z	VKP075A-4Z	VKP085A-4Z	VKP095A-4Z	VKP115A-4Z							
Nominal output	(W)	40	60	100	180	250	400	750							
Rated voltage	(V)	380 400 415	400 400 440	380 400 415	400 400 440	380 400 415	400 400 440	380 400 415	400 400 440						
Frequency	(Hz)	50 60	50 60	50 60	50 60	50 60	50 60	50 60							
Rated current	(A)	0.16 0.16 0.17	0.16 0.16	0.19 0.20 0.22	0.18 0.18	0.28 0.28 0.29	0.25 0.25	0.44 0.43 0.42	0.5 0.5	0.65 0.6 0.6	0.75 0.75	1.2 1.2	1.3 1.2	1.7 1.7 1.7	1.9 1.8
Discharge rate	(l/min)	19 25	20 30	45 60	75 100	110 160	140 200	165 285							
Total head	(m)	1.5	2	2	3	4	5	7							
Max. viscosity allowed	(mm²/s)	300 150	300 150	300 150	300 150	300 150	300 150	300 150							
Outlet	(Rp)	1/4	3/8	3/8	1/2	3/4	1	2							
Paint color		Munsell N1													
Standard		IEC60034-1 CE approved													
Degree of protection		IP54													

China energy label regulation (GB18613-2012) efficiency-compliant unit (grade GB3)

Specifications	Type	VKP115A-G	VKP115A-GS
Nominal output	(W)	750	750
Rated voltage	(V)	200	220 380
Frequency	(Hz)	50	
Rated current	(A)	3.3	3.1 1.8
Discharge rate	(l/min)	165	
Total head	(m)	7	
Max. viscosity allowed	(mm²/s)	300	
Outlet	(Rp)	2	
Paint color		Munsell N1	
Standard		IEC60034-1 CE approved	
Degree of protection		IP44	

Notes 1. As the pump whose model number has a suffix L (with marked ★) has cabytre leads, it does not conform to CE marking and its degree of protection is IP23.
2. The discharge rate and total head values were obtained in tests with a liquid viscosity of 1mm²/s (same as tap water at normal temperature). Note that the pumps cannot be used with water.
3. VKP□□J and VKP115A are bottom suction types.

Assembly Drawing

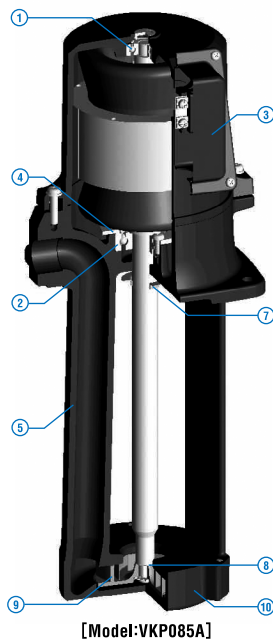


Dimensions

(Unit : mm)

Type	Fig.	D	KB	KD	KE	KH	KL	KM	L	LA	LB	LC	LD	LE	LG	LH	LJ	LK	LL	LM	LN	LP	LZ	PC	PE	PK	Approx. mass (kg)
VKP035L	1	92	115.5	—	—	—	61	—	296	130	90 ⁰ _{-0.5}	143	—	130	8	148	90 ⁰ _{-0.5}	105	148	115	4	125	7	15	Rp¼	62.5	5.5
VKP045L	1	92	115.5	—	—	—	61	—	298	130	90 ⁰ _{-0.5}	143	—	130	8	150	90 ⁰ _{-0.5}	100	148	110	4	125	7	15	Rp¼	62.5	5.5
VKP045A(-4Z)	2	92	60.5	22	67	93	93	73	298	130	90 ⁰ _{-0.5}	145	—	130	8	150	90 ⁰ _{-0.5}	100	148	110	4	125	7	15	Rp¼	62.5	5.5
VKP055A(-4Z)	3	92	74	22	67	93	93	73	317	132	90 ⁰ _{-0.5}	152	64	130	8	150	90 ⁰ _{-0.5}	100	167	110	4	116	7	15	Rp¾	71	6.0
VKP065A(-4Z)	3	92	74	22	67	93	93	73	317	132	90 ⁰ _{-0.5}	152	64	134	8	150	90 ⁰ _{-0.5}	90	167	100	4	116	7	15	Rp¾	71	6.5
VKP075A(-4Z)	3	111	94	22	78	93	104	73	367	160	115 ⁰ _{-0.5}	184	75	134	10	180	115 ⁰ _{-0.5}	105	187	130	2 ⁰ _{-0.2}	143	10 ⁰ _{-0.1}	20	Rp½	80	10.0
VKP075J	5	111	94	22	78	93	104	73	317	160	115 ⁰ _{-0.5}	184	75	134	10	130	115 ⁰ _{-0.5}	110	187	110	2 ⁰ _{-0.2}	143	10 ⁰ _{-0.1}	20	Rp½	80	11.0
VKP075AH	3	111	94	22	78	93	104	73	437	160	115 ⁰ _{-0.5}	184	75	134	10	250	115 ⁰ _{-0.5}	175	187	200	2 ⁰ _{-0.2}	143	10 ⁰ _{-0.1}	20	Rp½	80	10.0
VKP075AK	3	111	107	22	78	93	104	73	550	160	115 ⁰ _{-0.5}	184	75	134	10	350	115 ⁰ _{-0.5}	275	200	300	2 ⁰ _{-0.2}	143	10 ⁰ _{-0.1}	20	Rp½	80	11.0
VKP085A(-4Z)	4	122	106	22	81	93	107	73	449	160	128 ⁰ _{-0.5}	194	80	170	10	250	128 ⁰ _{-0.5}	165	199	190	4	154	10	25	Rp¾	85	15.0
VKP085J	5	122	106	22	81	93	107	73	329	160	128 ⁰ _{-0.5}	194	80	170	10	130	128 ⁰ _{-0.5}	105	199	—	4	154	10	25	Rp¾	85	16.0
VKP085AF	3	122	106	22	81	93	107	73	379	160	128 ⁰ _{-0.5}	194	80	170	10	180	128 ⁰ _{-0.5}	95	199	120	4	154	10	25	Rp¾	85	15.0
VKP085AK	3	122	116	22	81	93	107	73	559	160	128 ⁰ _{-0.5}	194	80	170	10	350	128 ⁰ _{-0.5}	265	209	290	4	154	10	25	Rp¾	85	16.0
VKP095A(-4Z)	6	131	117	22	94	93	122	87	524	180	135 ⁰ _{-0.7}	—	—	—	15	280	135 ⁰ _{-0.7}	160	244	200	2	155	10	30	Rp1	100	16.5
VKP095J	8	131	117	22	94	93	122	87	494	180	135 ⁰ _{-0.7}	—	—	—	15	250	135 ⁰ _{-0.7}	225	244	—	2	155	10	30	Rp1	100	17.0
VKP095AF	7	131	117	22	94	93	122	87	424	180	135 ⁰ _{-0.7}	—	—	—	15	180	135 ⁰ _{-0.7}	60	244	100	2	155	10	30	Rp1	100	17.0
VKP095AK	7	131	117	22	94	93	122	87	594	180	135 ⁰ _{-0.7}	—	—	—	15	350	135 ⁰ _{-0.7}	230	244	270	2	155	10	30	Rp1	100	18.0
VKP115A(-4Z)	9	162	152	22	105	93	133	87	565	220	180 ⁰ _{-0.7}	—	—	—	12	280	180 ⁰ _{-0.7}	220	285	—	4	200	12	55	Rp2	115	29.0
VKP115A-G	9	162	152	22	105	93	133	87	565	220	180	—	—	—	12	280	180 ⁰ _{-0.7}	220	285	—	4	200	12	55	Rp2	115	29.0
VKP115A-GS	9	162	152	27	108	93	146	94	565	220	180	—	—	—	12	280	180 ⁰ _{-0.7}	220	285	—	4	200	12	55	Rp2	115	29.0

Sectional drawing



No.	Parts Name	Materials
1	Deep groove ball bearing	
2	Deep groove ball bearing	
3	Terminal box	SPCC
4	End cover	SPHC
5	Pump leg	FC150
7	Oil thrower	SPCC
8	Adjusting washer	BsP3-1 / 2H
9	Impeller	Special resins or CAC407
10	Eddy box	FC150

Note: Structure and other details are subject to change without notice.