

# COUPLINGS & HOSE ACCESSORIES

[TEXCELINDUSTRIAL.COM](http://TEXCELINDUSTRIAL.COM)





Ahead Of The Curve.

Founded in 1981, Texcel offers a full line of industrial hose, fluid sealing products and hydraulic solutions.

Backed by "The Texcel Guarantee," Texcel has become known for delivering exceptional customer support and providing in-depth inventory of leading edge products to respond to customer demand—whether a quick solution to fill a product gap or as a full line supplier. Texcel's commitment to making a difference for customers is evident in every aspect of the business—particularly in building partnerships of trust to support customers' success.

Texcel's customers have access to a full line of high-quality products and the same error-free service and personalized support they have come to expect from Texcel for more than 35 years.



### **100% SAME-DAY SHIPPING\***

By ordering from Texcel, there are no delays in shipping your stock and priority orders, meaning your shipment arrives faster for orders received by 5 p.m. CST.



### **24-HOUR RESPONSE TEAM**

Whether you have an emergency or simply need dependable products quickly, our team is available around the clock to make sure you receive the products and services you need.



### **LARGE INVENTORY**

We keep deep product inventories, which are strategically located at our regional warehouses, so you will always have the product you need, when you need it most.

\*Subject to carrier availability



## TABLE OF CONTENTS



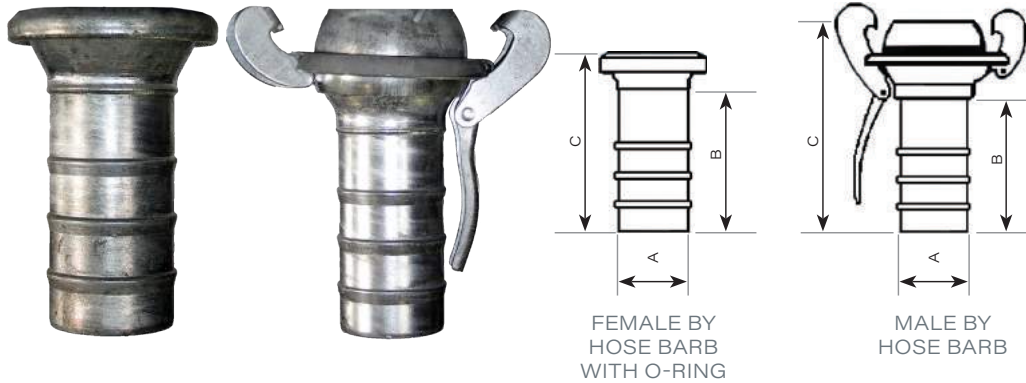
### COUPLINGS

<b>TEX-QD</b> , Quick Disconnect Fittings . . . . .	04
<b>TEX-QD-HD</b> , Quick Disconnect Fittings . . . . .	05
<b>TEX-RHS</b> , Round Hole Strainers . . . . .	06
<b>SIGMA-CLAMP™</b> , Double Bolt Spiral Clamp . . . . .	07
<b>SIGMA-COIL™</b> , Banding Coil . . . . .	08
<b>CAM &amp; GROOVE COUPLING LINE</b> , Type A Adapter . . . . .	09
<b>CAM &amp; GROOVE COUPLING LINE</b> , Type B Coupler . . . . .	10
<b>CAM &amp; GROOVE COUPLING LINE</b> , Type C Coupler . . . . .	11
<b>CAM &amp; GROOVE COUPLING LINE</b> , Type D Coupler . . . . .	12
<b>CAM &amp; GROOVE COUPLING LINE</b> , Type E Coupler . . . . .	13
<b>CAM &amp; GROOVE COUPLING LINE</b> , Type F Adapter . . . . .	14
<b>CAM &amp; GROOVE COUPLING LINE</b> , Type Dust Cap . . . . .	15
<b>CAM &amp; GROOVE COUPLING LINE</b> , Type Dust Plug . . . . .	16
<b>FERRULE</b> , . . . . .	17
<b>KC-NIP</b> , KC NIPPLE . . . . .	18
<b>SLEEVE</b> , . . . . .	19
<b>FLANGES</b> , . . . . .	20
<b>MALE ADAPTERS</b> , Spool Adapter (Male X Male) . . . . .	21
<b>FEMALE ADAPTERS</b> , Double Female Adapter (Female X Female) . . . . .	22
<b>REDUCING ADAPTERS</b> , Coupler X Adapter - Reducing (Female X Male) . . . . .	23
<b>BLAST FITTING</b> , Sandblast Coupling . . . . .	24
<b>UNIVERSAL</b> , Universal Crowfoot . . . . .	25



# TEX-QD

## Quick Disconnect Fittings



FEMALE BY HOSE BARB WITH O-RING

MALE BY HOSE BARB

### FEMALE BY HOSE BARB WITH O-RING:

I.D.	Part Number	A Dim.	B Dim.	C Dim.	Lbs./Each
2"	2.0-QDF	2.0"	3.75"	5.25"	0.75
3"	3.0-QDF	3.0"	5.25"	7.0"	1.75
4"	4.0-QDF	4.0"	8.0"	10.5"	3.30
6"	6.0-QDF	6.0"	8.5"	10.5"	6.40
8"	8.0-QDF	7-58/64"	9.25"	13"	12.70
<b>With Locking Lever Welded On</b>					
10"	10.0-QDF	9-56/64"	11.5"	15.75"	28.00
12"	12.0-QDF	11-56/64"	11.5"	16.5"	39.00

### MALE BY HOSE BARB:

I.D.	Part Number	A Dim.	B Dim.	C Dim.	Lbs./Each
<b>With Locking Lever Welded On</b>					
2"	2.0-QDM	2.0"	3.75"	6.25"	1.65
3"	3.0-QDM	3.0"	5.25"	8.25"	3.35
4"	4.0-QDM	4.0"	8.0"	12.5"	7.10
6"	6.0-QDM	6.0"	8.5"	12.5"	14.15
8"	8.0-QDM	7-58/64"	9.25"	15.0"	21.15
<b>Lever Welded on Female End</b>					
10"	10.0-QDM	9-56/64"	11.5"	15.75"	25.0
12"	12.0-QDM	11-56/64"	11.5"	6.5"	35.0





# TEX-QD-HD

Quick Disconnect Fittings



## FEMALE BY HOSE BARB WITH O-RING:

I.D.	Part Number	A Dim.	B Dim.	C Dim.	Lbs./Each
4"	4.0-QDF-HD-SP	4.0"	8.0"	10.5"	4
6"	6.0-QDF-HD-SP	6.0"	8.5"	10.5"	98
8"	8.0-QDF-HD-SP	7-5/8"	9.25"	13"	26

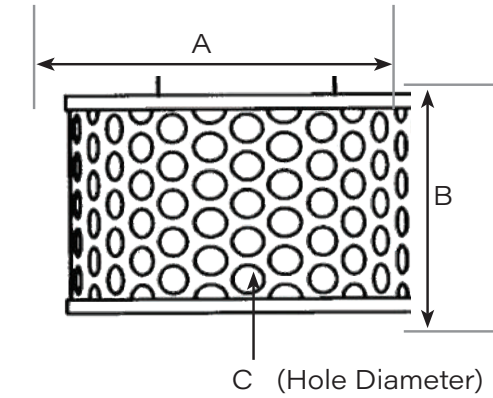
## MALE BY HOSE BARB:

I.D.	Part Number	A Dim.	B Dim.	C Dim.	Lbs./Each
With Locking Lever Welded On					
4"	4.0-QDM-HD-SP	4.0"	8.0"	12.5"	8
6"	6.0-QDM-HD-SP	6.0"	8.5"	12.5"	17
8"	8.0-QDM-HD-SP	7-5/8"	9.25"	15.0"	26

# TEX-RHS

Round Hole Strainers

14 gauge zinc-plated strainer by female thread.



Female Thread Diameter	Part Number	A Dim.	B Dim.	C Dim.	Lbs./Each
1-1/2"	1.5-ROUND-STRAINER-SP	5.0"	4.25"	0.375"	1.20
2"	2.0-ROUND-STRAINER-SP	6.0"	4.5"	0.375"	1.65
2-1/2"	2.5-ROUND-STRAINER-SP	6.0"	4.5"	0.375"	1.85
3"	3.0-ROUND-STRAINER-SP	7.0"	5.625"	0.375"	2.35
4"	4.0-ROUND-STRAINER-SP	7.0"	5.75"	0.375"	2.45
6"	6.0-ROUND-STRAINER-SP	9.125"	9.25"	1.0"	5.70
8"	8.0-ROUND-STRAINER-SP	11.375"	11.25"	1.0"	9.95





# SIGMA-CLAMP™

## Double Bolt Spiral Clamp

Double bolt spiral clamps are recommended for use with Texcel's Sigma-Series PVC hoses with convoluted cover.

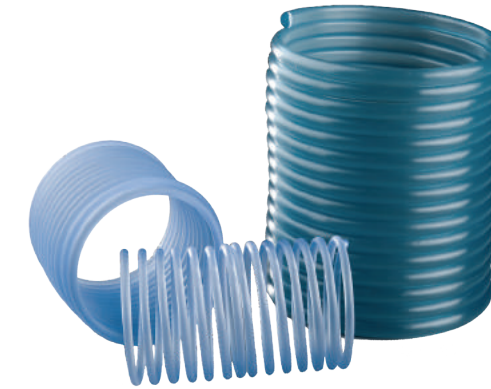


	Hose Diameter	Part Number	Lbs./Each
Right Hand	1-½"	1.5-SP-CLAMP	0.29
	2"	2.0-SP-CLAMP	0.34
	2-½"	2.5-SP-CLAMP	0.63
	3"	3.0-SP-CLAMP	0.72
	4"	4.0-SP-CLAMP	1.21
	5"	5.0-SP-CLAMP	1.41
	6"	6.0-SP-CLAMP	2.29
Left Hand	8"	8.0-SP-CLAMP	2.97
	1-½"	1.5-SP-CLAMP-LH	0.29
	2"	2.0-SP-CLAMP-LH	0.34
	3"	3.0-SP-CLAMP-LH	0.72
	4"	4.0-SP-CLAMP-LH	1.21
	5"	5.0-SP-CLAMP	1.41
	6"	6.0-SP-CLAMP-LH	2.29
8"	8.0-SP-CLAMP-LH	2.97	

# SIGMA-COIL™

## Banding Coil

Use banding coils to level external corrugations, or when using sleeves or bands for increased surface area and improved compression and fitting retention. Each piece makes two hose ends (one hose assembly). Operator must cut into two pieces.



Hose Diameter	Part Number	In./Each	Lbs./Each
1-½"	1.5-SLINKY	2.75"	0.07
2"	2.0-SLINKY	3.0"	0.12
2-½"	2.5-SLINKY	3.25"	0.16
3"	3.0-SLINKY	3.5"	0.23
4"	4.0-SLINKY	3.75"	0.45
5"	5.0-SLINKY	6.0"	1.27
6"	6.0-SLINKY	8.0"	1.93
8"	8.0-SLINKY	8.5"	3.71







# CAM & GROOVE COUPLING LINE

## Type A Adapter

Aluminum Constructed Cam and Groove type A male adapter by female NPT. Also available in stainless steel and brass.

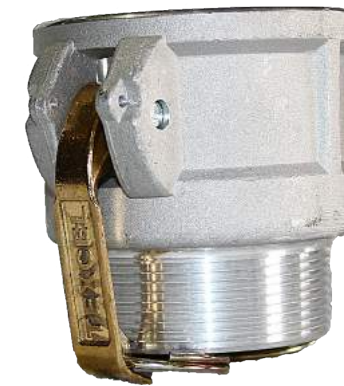


Hose Diameter	Part Number	Lbs./Each
3/4"	.75-A-ALUM	0.1
1"	1.0-A-ALUM	0.14
1-1/4"	1.25-A-ALUM	0.22
1-1/2"	1.5-A-ALUM	0.27
2"	2.0-A-ALUM	0.31
2-1/2"	2.5-A-ALUM	0.41
3"	3.0-A-ALUM	0.59
4"	4.0-A-ALUM	1.22
5"	5.0-A-ALUM	2.09
6"	6.0-A-ALUM	2.62
8"	8.0-A-ALUM	8.5
3/4"	.75-A-BRASS-SP	0.29
1"	1.0-A-BRASS-SP	0.38
1-1/4"	1.25-A-BRASS-SP	0.59
1-1/2"	1.5-A-BRASS-SP	0.75
2"	2.0-A-BRASS-SP	1.1
2-1/2"	2.5-A-BRASS-SP	2.48
3"	3.0-A-BRASS-SP	2.09
4"	4.0-A-BRASS-SP	3.45

# CAM & GROOVE COUPLING LINE

## Type B Coupler

Aluminum Constructed Cam and Groove type B female coupler by male NPT. Also available in stainless steel and brass.



Hose Diameter	Part Number	Lbs./Each
3/4"	.75-B-ALUM	0.26
1"	1.0-B-ALUM	0.44
1-1/4"	1.25-B-ALUM	0.66
1-1/2"	1.5-B-ALUM	0.69
2"	2.0-B-ALUM	0.85
2-1/2"	2.5-B-ALUM	1.0
3"	3.0-B-ALUM	1.65
4"	4.0-B-ALUM	2.26
5"	5.0-B-ALUM	2.64
6"	6.0-B-ALUM	4.37
8"	8.0-B-ALUM	15.66
3/4"	.75-B-BRASS-SP	0.41
1"	1.0-B-BRASS-SP	0.64
1-1/4"	1.25-B-BRASS-SP	1.1
1-1/2"	1.5-B-BRASS-SP	1.23
2"	2.0-B-BRASS-SP	1.43
2-1/2"	2.5-B-BRASS-SP	1.98
3"	3.0-B-BRASS-SP	2.88
4"	4.0-B-BRASS-SP	4.08







# CAM & GROOVE COUPLING LINE

## Type C Coupler

Aluminum Constructed Cam and Groove type C female coupler by hose shank. Also available in stainless steel and brass.



Hose Diameter	Part Number	Lbs./Each
3/4"	.75-C-ALUM	0.26
1"	1.0-C-ALUM	0.45
1-1/4"	1.25-C-ALUM	0.70
1-1/2"	1.5-C-ALUM	0.75
2"	2.0-C-ALUM	1.04
2-1/2"	2.5-C-ALUM	1.47
3"	3.0-C-ALUM	2.04
4"	4.0-C-ALUM	2.94
5"	5.0-C-ALUM	3.37
6"	6.0-C-ALUM	6.39
8"	8.0-C-ALUM	13.00
3/4"	.75-C-BRASS-SP	0.46
1"	1.0-C-BRASS-SP	0.73
1-1/4"	1.25-C-BRASS-SP	1.15
1-1/2"	1.5-C-BRASS-SP	1.43
2"	2.0-C-BRASS-SP	1.91
2-1/2"	2.5-C-BRASS-SP	2.94
3"	3.0-C-BRASS-SP	3.58
4"	4.0-C-BRASS-SP	5.07
3/4"	.75-C-SS-SP	0.39
1	1.0-C-SS-SP	0.65
1-1/4"	1.25-C-SS-SP	1.02
1-1/2"	1.5-C-SS-SP	1.23
2	2.0-C-SS-SP	1.78
2-1/2"	2.5-C-SS-SP	2.77
3	3.0-C-SS-SP	3.4
4	4.0-C-SS-SP	5.89
5	5.0-C-SS-SP	7.25
6	6.0-C-SS-SP	11
2"	2.0-C-CS-SP	1.78
3"	3.0-C-CS-SP	3.88
4"	4.0-C-CS-SP	5.89

# CAM & GROOVE COUPLING LINE

## Type D Coupler

Aluminum Constructed Cam and Groove type D female coupler by male NPT. Also available in stainless steel and brass.



Hose Diameter	Part Number	Lbs./Each
3/4"	.75-D-ALUM	0.26
1"	1.0-D-ALUM	0.37
1-1/4"	1.25-D-ALUM	0.77
1-1/2"	1.5-D-ALUM	0.80
2"	2.0-D-ALUM	0.88
2-1/2"	2.5-D-ALUM	1.0
3"	3.0-D-ALUM	1.75
4"	4.0-D-ALUM	2.51
5"	5.0-D-ALUM	3.51
6"	6.0-D-ALUM	5.31
8"	8.0-D-ALUM	11
3/4"	.75-D-BRASS-SP	0.44
1"	1.0-D-BRASS-SP	0.68
1-1/4"	1.25-D-BRASS-SP	1.14
1-1/2"	1.5-D-BRASS-SP	1.32
2"	2.0-D-BRASS-SP	1.54
2-1/2"	2.5-D-BRASS-SP	1.98
3"	3.0-D-BRASS-SP	3.06
4"	4.0-D-BRASS-SP	4.96







# CAM & GROOVE COUPLING LINE

## Type E Coupler

Aluminum Constructed Cam and Groove type E male coupler by hose shank. Also available in stainless steel and brass.



Hose Diameter	Part Number	Lbs./Each
¾"	.75-E-ALUM	0.13
1"	1.0-E-ALUM	0.22
1-¼"	1.25-E-ALUM	0.30
1-½"	1.5-E-ALUM	0.39
2"	2.0-E-ALUM	0.63
2-½"	2.5-E-ALUM	0.89
3"	3.0-E-ALUM	1.10
4"	4.0-E-ALUM	2.11
5"	5.0-E-ALUM	2.95
6"	6.0-E-ALUM	6.25
8"	8.0-E-ALUM	8.75
¾"	.75-E-BRASS-SP	0.36
1"	1.0-E-BRASS-SP	0.59
1-¼"	1.25-E-BRASS-SP	0.99
1-½"	1.5-E-BRASS-SP	1.24
2"	2.0-E-BRASS-SP	1.87
2-½"	2.5-E-BRASS-SP	2.69
3"	3.0-E-BRASS-SP	4
4"	4.0-E-BRASS-SP	6.34
¾"	.75-E-SS-SP	0.31
1"	1.0-E-SS-SP	0.51
1-¼"	1.25-E-SS-SP	0.9
1-½"	1.5-E-SS-SP	1.12
2"	2.0-E-SS-SP	1.65
2-½"	2.5-E-SS-SP	2.58
3"	3.0-E-SS-SP	3.55
4"	4.0-E-SS-SP	4.89
5"	5.0-E-SS-SP	6.11
6"	6.0-E-SS-SP	8.25
2"	2.0-E-CS-SP	1.67
3"	3.0-E-CS-SP	3.44
4"	4.0-E-CS-SP	4.89

# CAM & GROOVE COUPLING LINE

## Type F Adapter

Aluminum Constructed Cam and Groove type F male adapter by male NPT. Also available in stainless steel and brass.



Hose Diameter	Part Number	Lbs./Each
¾"	.75-F-ALUM	0.17
1"	1.0-F-ALUM	0.22
1-¼"	1.25-F-ALUM	0.26
1-½"	1.5-F-ALUM	0.40
2"	2.0-F-ALUM	0.55
2-½"	2.5-F-ALUM	0.97
3"	3.0-F-ALUM	1.18
4"	4.0-F-ALUM	2.02
5"	5.0-F-ALUM	2.94
6"	6.0-F-ALUM	3.98
8"	8.0-F-ALUM	11.30
¾"	.75-F-BRASS-SP	0.41
1"	1.0-F-BRASS-SP	0.81
1-¼"	1.25-F-BRASS-SP	1.05
1-½"	1.5-F-BRASS-SP	1.27
2"	2.0-F-BRASS-SP	1.8
2-½"	2.5-F-BRASS-SP	2.2
3"	3.0-F-BRASS-SP	3.62
4"	4.0-F-BRASS-SP	6.39
¾"	.75-F-SS-SP	0.39
1"	1.0-F-SS-SP	0.78
1-¼"	1.25-F-SS-SP	0.98
1-½"	1.5-F-SS-SP	1.7
2"	2.0-F-SS-SP	1.75
2-½"	2.5-F-SS-SP	1.7
3"	3.0-F-SS-SP	3.55
4"	4.0-F-SS-SP	6.18
5"	5.0-F-SS-SP	8.22
6"	6.0-F-SS-SP	10.55







# CAM & GROOVE COUPLING LINE

## Type Dust Cap

Dust caps are the solution to seal a hose assembly when it is not under pressure during transfer or storage. The aluminum constructed dust cap is compatible with type A & E. Also available in stainless steel and brass.



Hose Diameter	Part Number	Lbs./Each
3/4"	.75-DC-ALUM	0.21
1"	1.0-DC-ALUM	0.44
1-1/4"	1.25-DC-ALUM	0.62
1-1/2"	1.5-DC-ALUM	0.69
2"	2.0-DC-ALUM	0.79
2-1/2"	2.5-DC-ALUM	1.19
3"	3.0-DC-ALUM	1.57
4"	4.0-DC-ALUM	2.2
5"	5.0-DC-ALUM	3.02
6"	6.0-DC-ALUM	3.95
8"	8.0-DC-ALUM	8.82
3/4"	.75-DC-BRASS-SP	0.38
1"	1.0-DC-BRASS-SP	0.55
1-1/4"	1.25-DC-BRASS-SP	1.05
1-1/2"	1.5-DC-BRASS-SP	1.07
2"	2.0-DC-BRASS-SP	1.43
2-1/2"	2.5-DC-BRASS-SP	2.04
3"	3.0-DC-BRASS-SP	2.76
4"	4.0-DC-BRASS-SP	3.86
3/4"	.75-DC-SS-SP	0.35
1"	1.0-DC-SS-SP	0.51
1-1/4"	1.25-DC-SS-SP	0.98
1-1/2"	1.5-DC-SS-SP	1.01
2"	2.0-DC-SS-SP	1.33
2-1/2"	2.5-DC-SS-SP	1.95
3"	3.0-DC-SS-SP	2.55
4"	4.0-DC-SS-SP	3.56
5"	5.0-DC-SS-SP	4.12
6"	6.0-DC-SS-SP	6.33

# CAM & GROOVE COUPLING LINE

## Type Dust Plug

Dust plugs are the solution to seal a hose assembly when it is not under pressure during transfer or non-use. The aluminum constructed dust plug is compatible with type C & D. Also available in stainless steel and brass.



Hose Diameter	Part Number	Lbs./Each
3/4"	.75-DP-ALUM	0.07
1"	1.0-DP-ALUM	0.11
1-1/4"	1.25-DP-ALUM	0.22
1-1/2"	1.5-DP-ALUM	0.25
2"	2.0-DP-ALUM	0.35
2-1/2"	2.5-DP-ALUM	0.41
3"	3.0-DP-ALUM	0.69
4"	4.0-DP-ALUM	1.29
5"	5.0-DP-ALUM	1.63
6"	6.0-DP-ALUM	2.36
8"	8.0-DP-ALUM	6.14
3/4"	.75-DP-BRASS-SP	0.17
1"	1.0-DP-BRASS-SP	0.3
1-1/4"	1.25-DP-BRASS-SP	0.61
1-1/2"	1.5-DP-BRASS-SP	0.75
2"	2.0-DP-BRASS-SP	1.19
2-1/2"	2.5-DP-BRASS-SP	1.71
3"	3.0-DP-BRASS-SP	2.2
4"	4.0-DP-BRASS-SP	3.67
3/4"	.75-DP-SS-SP	0.16
1"	1.0-DP-SS-SP	0.25
1-1/4"	1.25-DP-SS-SP	0.55
1-1/2"	1.5-DP-SS-SP	0.66
2"	2.0-DP-SS-SP	1.05
2-1/2"	2.5-DP-SS-SP	1.66
3"	3.0-DP-SS-SP	2.02
4"	4.0-DP-SS-SP	3.55
5"	5.0-DP-SS-SP	4.25
6"	6.0-DP-SS-SP	5.55







# FERRULE



Hose Diameter	Sleeve ID	Part Number
1"	1- <sup>32</sup> / <sub>64</sub>	1.0-CS-FERR-132 ferrule
1"	1- <sup>36</sup> / <sub>64</sub>	1.0-CS-FERR-136 ferrule
1"	1- <sup>40</sup> / <sub>64</sub>	1.0-CS-FERR-140 ferrule
1- <sup>1</sup> / <sub>4</sub> "	1- <sup>48</sup> / <sub>64</sub>	1.25-CS-FERR-148 ferrule
1- <sup>1</sup> / <sub>2</sub> "	2	1.5-CS-FERR-200 ferrule
1- <sup>1</sup> / <sub>2</sub> "	2- <sup>04</sup> / <sub>64</sub>	1.5-CS-FERR-204 ferrule
1- <sup>1</sup> / <sub>2</sub> "	2- <sup>08</sup> / <sub>64</sub>	1.5-CS-FERR-208 ferrule
2"	2- <sup>32</sup> / <sub>64</sub>	2.0-CS-FERR-232 ferrule
2"	2- <sup>36</sup> / <sub>64</sub>	2.0-CS-FERR-236 ferrule
2"	2- <sup>40</sup> / <sub>64</sub>	2.0-CS-FERR-240 ferrule
2"	2- <sup>44</sup> / <sub>64</sub>	2.0-CS-FERR-244 ferrule
2"	2- <sup>48</sup> / <sub>64</sub>	2.0-CS-FERR-248 ferrule
2"	2- <sup>52</sup> / <sub>64</sub>	2.0-CS-FERR-252 ferrule
2"	2- <sup>56</sup> / <sub>64</sub>	2.0-CS-FERR-256 ferrule
2- <sup>1</sup> / <sub>2</sub> "	3- <sup>08</sup> / <sub>64</sub>	2.5-CS-FERR-308 ferrule
2- <sup>1</sup> / <sub>2</sub> "	3- <sup>12</sup> / <sub>64</sub>	2.5-CS-FERR-312 ferrule
2- <sup>1</sup> / <sub>2</sub> "	3- <sup>16</sup> / <sub>64</sub>	2.5-CS-FERR-316 ferrule
2- <sup>1</sup> / <sub>2</sub> "	3- <sup>32</sup> / <sub>64</sub>	2.5-CS-FERR-332 ferrule
3"	3- <sup>36</sup> / <sub>64</sub>	3.0-CS-FERR-336 ferrule
3"	3- <sup>40</sup> / <sub>64</sub>	3.0-CS-FERR-340 ferrule
3"	3- <sup>44</sup> / <sub>64</sub>	3.0-CS-FERR-344 ferrule
3"	3- <sup>48</sup> / <sub>64</sub>	3.0-CS-FERR-348 ferrule
3"	3- <sup>52</sup> / <sub>64</sub>	3.0-CS-FERR-352 ferrule
3"	3- <sup>56</sup> / <sub>64</sub>	3.0-CS-FERR-356 ferrule
3"	3- <sup>60</sup> / <sub>64</sub>	3.0-CS-FERR-360 ferrule
3"	4	3.0-CS-FERR-400 ferrule
4"	4- <sup>36</sup> / <sub>64</sub>	4.0-CS-FERR-436 ferrule
4"	4- <sup>40</sup> / <sub>64</sub>	4.0-CS-FERR-440 ferrule
4"	4- <sup>44</sup> / <sub>64</sub>	4.0-CS-FERR-444 ferrule
4"	4- <sup>48</sup> / <sub>64</sub>	4.0-CS-FERR-448 ferrule
4"	4- <sup>52</sup> / <sub>64</sub>	4.0-CS-FERR-452 ferrule
4"	4- <sup>56</sup> / <sub>64</sub>	4.0-CS-FERR-456 ferrule
4"	4- <sup>60</sup> / <sub>64</sub>	4.0-CS-FERR-460 ferrule
4"	5	4.0-CS-FERR-500 ferrule
4"	5- <sup>04</sup> / <sub>64</sub>	4.0-CS-FERR-504 ferrule
6"	6- <sup>40</sup> / <sub>64</sub>	6.0-CS-FERR-640 ferrule
6"	6- <sup>48</sup> / <sub>64</sub>	6.0-CS-FERR-648 ferrule
6"	6- <sup>56</sup> / <sub>64</sub>	6.0-CS-FERR-656 ferrule
6"	7	6.0-CS-FERR-700 ferrule
6"	7- <sup>08</sup> / <sub>64</sub>	6.0-CS-FERR-708 ferrule
6"	7- <sup>24</sup> / <sub>64</sub>	6.0-CS-FERR-724 ferrule
8"	8- <sup>48</sup> / <sub>64</sub>	8.0-CS-FERR-848 ferrule
8"	9	8.0-CS-FERR-900 ferrule
8"	9- <sup>16</sup> / <sub>64</sub>	8.0-CS-FERR-916 ferrule
8"	9- <sup>32</sup> / <sub>64</sub>	8.0-CS-FERR-932 ferrule

# KC-NIP

KC NIPPLE



Hose Diameter	Part Number	Lbs./Each
<sup>3</sup> / <sub>4</sub> "	.75-KC-NIP-SP	0.18
1"	1.0-KC-NIP-SP	0.22
1- <sup>1</sup> / <sub>2</sub> "	1.5-KC-NIP-SP	0.25
2"	2.0-KC-NIP-SP	1.04
2- <sup>1</sup> / <sub>2</sub> "	2.5-KC-NIP-SP	1
3"	3.0-KC-NIP-SP	2.2
4"	4.0-KC-NIP-SP	3.97
5"	5.0-KC-NIP-SP	5.25
6"	6.0-KC-NIP-SP	8.82
8"	8.0-KC-NIP-SP	15
10"	10.0-KC-NIP-SP	18
12"	12.0-KC-NIP-SP	22







# SLEEVE



Hose Diameter	Sleeve ID	Part Number
2"	2-36/64	2.0-CS-SLEEVE-236-SP
2"	2-40/64	2.0-CS-SLEEVE-240-SP
2"	2-48/64	2.0-CS-SLEEVE-248-SP
3"	3-36/64	3.0-CS-SLEEVE-336-SP
3"	3-40/64	3.0-CS-SLEEVE-340-SP
3"	3-44/64	3.0-CS-SLEEVE-344-SP
3"	3-48/64	3.0-CS-SLEEVE-348-SP
3"	3-52/64	3.0-CS-SLEEVE-352-SP
3"	3-56/64	3.0-CS-SLEEVE-356-SP
4"	4-40/64	4.0-CS-SLEEVE-440-SP
4"	4-44/64	4.0-CS-SLEEVE-444-SP
4"	4-48/64	4.0-CS-SLEEVE-448-SP
4"	4-52/64	4.0-CS-SLEEVE-452-SP
4"	4-56/64	4.0-CS-SLEEVE-456-SP
4"	4-60/64	4.0-CS-SLEEVE-460-SP
5"	5-48/64	5.0-CS-SLEEVE-548-SP
5"	5-60/64	5.0-CS-SLEEVE-560-SP
6"	6-40/64	6.0-CS-SLEEVE-640-SP
6"	6-48/64	6.0-CS-SLEEVE-648-SP
6"	6-56/64	6.0-CS-SLEEVE-656-SP
6"	7	6.0-CS-SLEEVE-700-SP
6"	7-08/64	6.0-CS-SLEEVE-708-SP
6"	7-16/64	6.0-CS-SLEEVE-716-SP
6"	7-24/64	6.0-CS-SLEEVE-724-SP
8"	8-32/64	8.0-CS-SLEEVE-832-SP
8"	8-48/64	8.0-CS-SLEEVE-848-SP
8"	9	8.0-CS-SLEEVE-900-SP
8"	9-08/64	8.0-CS-SLEEVE-908-SP
8"	9-32/64	8.0-CS-SLEEVE-932-SP

# FLANGES



## FLOATING FLANGES

Hose Diameter	Part Number
2"	2.0-CS-FLANGE-SP
3"	3.0-CS-FLANGE-SP
4"	4.0-CS-FLANGE-SP
6"	6.0-CS-FLANGE-SP

## FIXED FLANGES

Hose Diameter	Part Number
2"	2.0-CS-FX-CRIMP-SP
3"	3.0-CS-FX-CRIMP-SP
4"	4.0-CS-FX-CRIMP-SP
6"	6.0-CS-FX-CRIMP-SP

## TURNBACKS

Hose Diameter	Part Number
2"	2.0-CS-TURNBACK-SP
3"	3.0-CS-TURNBACK-SP
4"	4.0-CS-TURNBACK-SP
6"	6.0-CS-TURNBACK-SP







## MALE ADAPTERS

SPOOL ADAPTER (MALE X MALE)



Hose Diameter	Part Number
2"	2.0-AA-ALUM-SP
2"	2.0-AA-SS-SP
3"	3.0-AA-ALUM-SP
4"	4.0-AA-ALUM-SP



## FEMALE ADAPTERS

DOUBLE FEMALE ADAPTER (FEMALE X FEMALE)



Hose Diameter	Part Number
2"	2.0-DD-ALUM-SP
2"	2.0-DD-SS-SP
3"	3.0-DD-ALUM-SP
4"	4.0-DD-ALUM-SP



# REDUCING ADAPTERS

COUPLER X ADAPTER - REDUCING (FEMALE X MALE)



Hose Diameter	Part Number
3" X 2"	3020-DA-AL-SP
3" X 2"	3020-DA-SS-SP
4" X 3"	4030-DA-AL-SP
6" X 4"	6040-DA-AL-SP



# BLAST FITTING

SANDBLAST COUPLING



Hose Diameter	Part Number
3/4"	.75-Q1-ALUM
1"	1.0-Q2-ALUM
1-1/4"	1.25-Q3-ALUM
1-1/2"	1.50-Q4-ALUM





# UNIVERSAL

## UNIVERSAL CROWFOOT



Hose Diameter	Part Number
3/4"	.75-CROW
1"	1.0-CROW





## LOCATIONS

---

### Contact Information

Toll Free: 800.231.7116

Fax: 800.759.4673

Sales and Customer Service: [sales@texcelrubber.com](mailto:sales@texcelrubber.com)  
[texcelrubber.com](http://texcelrubber.com)

### Corporate Headquarters

4444 Homestead Road

Houston, Texas 77028

Phone: 713.675.8590

## ADDITIONAL WAREHOUSE LOCATIONS

---

### Chicago

2725 Davey Road, Suite 400  
Woodridge, Illinois 60517

### Sacramento

8760 Younger Creek Drive  
Sacramento, California 95828

### Denver

2460 Airport Blvd., Suite 300  
Aurora, Colorado 80011

### Newark

211 Executive Drive, Suite 9  
Newark, Delaware 19702

### Birmingham

236 Distribution Drive  
Homewood, Alabama 35209

## OTHER TEXCEL PRODUCTS

---

Looking for other quality products from Texcel? Request a catalog by calling 800.231.7116 or visiting [texcelrubber.com](http://texcelrubber.com).







Ahead Of The Curve.

# Ask Us About Our Other Great Products



HYDRAULIC HOSE

FITTINGS

CRIMPERS



INDUSTRIAL HOSE

COUPLINGS

ASSEMBLIES



COMPRESSED SHEET

SHEET RUBBER

SKIRTBOARD

Distributed by:

