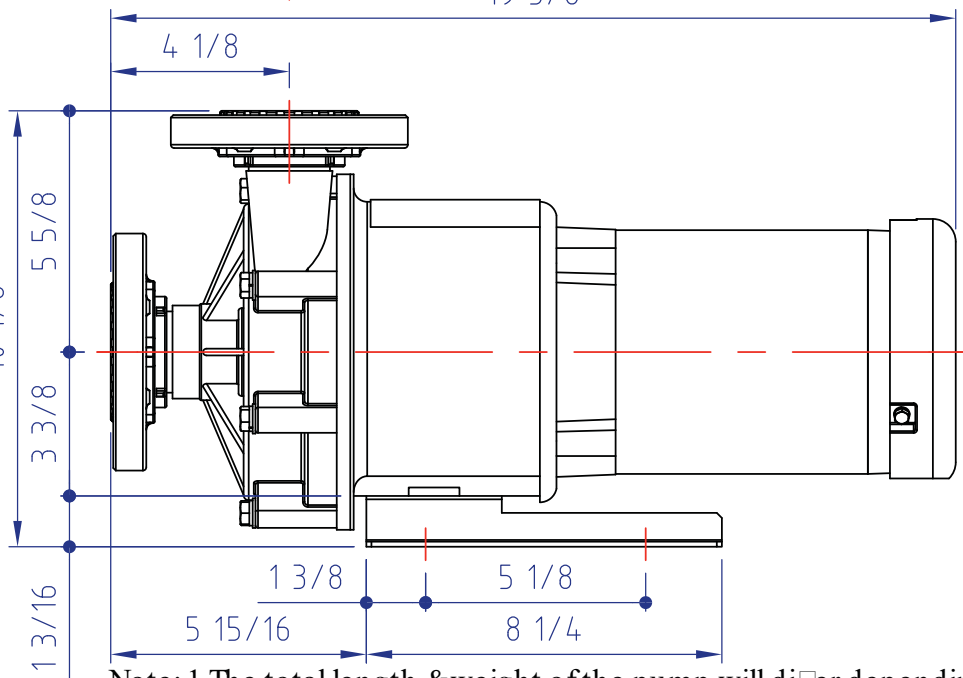
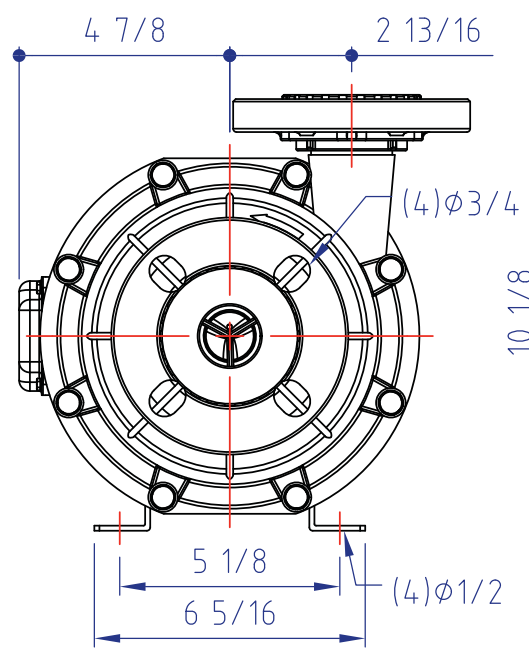


| MOTOR | |
|---------------|-------------|
| Standard Code | NEMA C FACE |
| Frame: | 56C Pole: 2 |
| Output: | 1 Hp |
| Frequency: | 60 Hz |

| FLANGE RATING | |
|----------------|--|
| Inlet & Outlet | ANSI 150lb x 1.5" x RF (bore size 1.5") |
| | DIN NP10 x 40mm x RF (bore size 40mm) |
| | JIS 10K x 40mm x RF (bore size 40mm) |



Note: 1. The total length & weight of the pump will differ depending on the brand of the motor.
 2. All dimension in inch.



| | |
|-------|-----------------|
| MODEL | TM4K |
| TITLE | OUTLINE DRAWING |