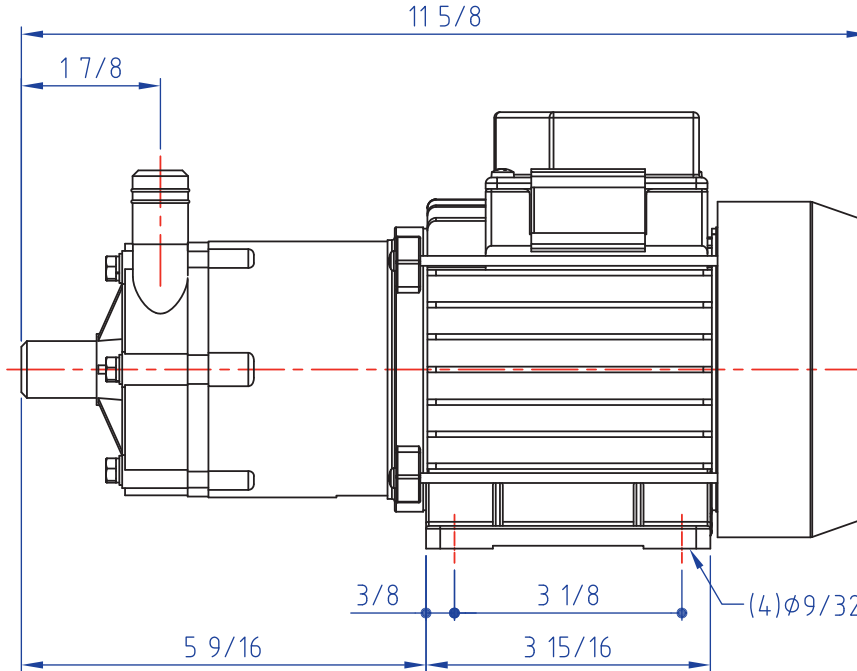
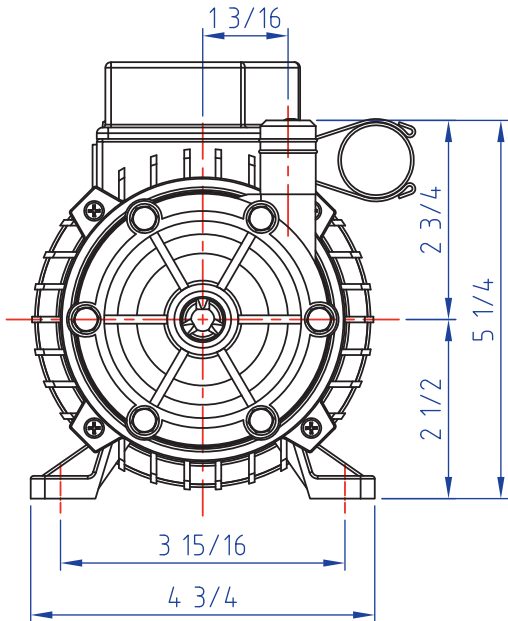


MOTOR		
Standard Code:	IEC	
Frame:	Pole: 2	
Output:	1/12	HP
Phase:	1	
Frequency:	60	Hz

CONNECTION	
Inlet & Outlet	Outside diameter 13/16" ( bore size 9/16" )



Model	Item	Pump (kg)	Motor (kg)	Net Wt. (kg)
AM-10		0.8	3.2	4.0
AM-F10		1.0	3.2	4.2

Note: 1.The total length & weight of the pump will differ depending on the brand of the motor.  
2.All dimension in inch.



MODEL	TM1C
TITLE	OUTLINE DRAWING