



AM Series Specification

Whether you are feeding chemicals from a tank or recirculating salt water at an aquarium, the AM series pumps will provide you with the ideal pump for many applications. The AM series pumps are low flow magnetic drive pumps designed for constant flow applications. They consist of a one piece open impeller and inner magnet combination. The AM series comes with tangential ported casings, consisting of standard PVC Socket Weld Unions or 150# ANSI/DIN combination flanges. The robust, close coupled and seal less design of the AM series pumps will provide the operator with confidence during their low flow applications.

Sizes

- The AM series are designed in 3 different close coupled sizes, consisting of 1/12, 1/4 and 1/3 HP. The Inlet/Outlet options consist of ½" x ½" or 1" x 1".
- The AMX series can products flows up to 26 GPM or TDH of 32 Feet.

Materials of Construction

- The casing, flanges (Unions Standard), inner magnet, rear casing and impeller consist of Glass-Filled Polypropylene or Conductive Carbon Reinforced Ethylene Tetrafluoroethylene (ETFE).
- Bearings, Thrust rings and wear rings consist of Carbon, Rulon (Filled PTFE), 995 Ceramic or Sintered Silicone-Carbide.
- The Casing O-ring and the two flange O-rings consist of either Viton (FKM) or EPDM, with other O-ring options available depending on chemical compatibility.
- The motor brackets are ductile iron and coated with epoxy paint, while using a Stainless Steel baseplate and Stainless Steel hardware.

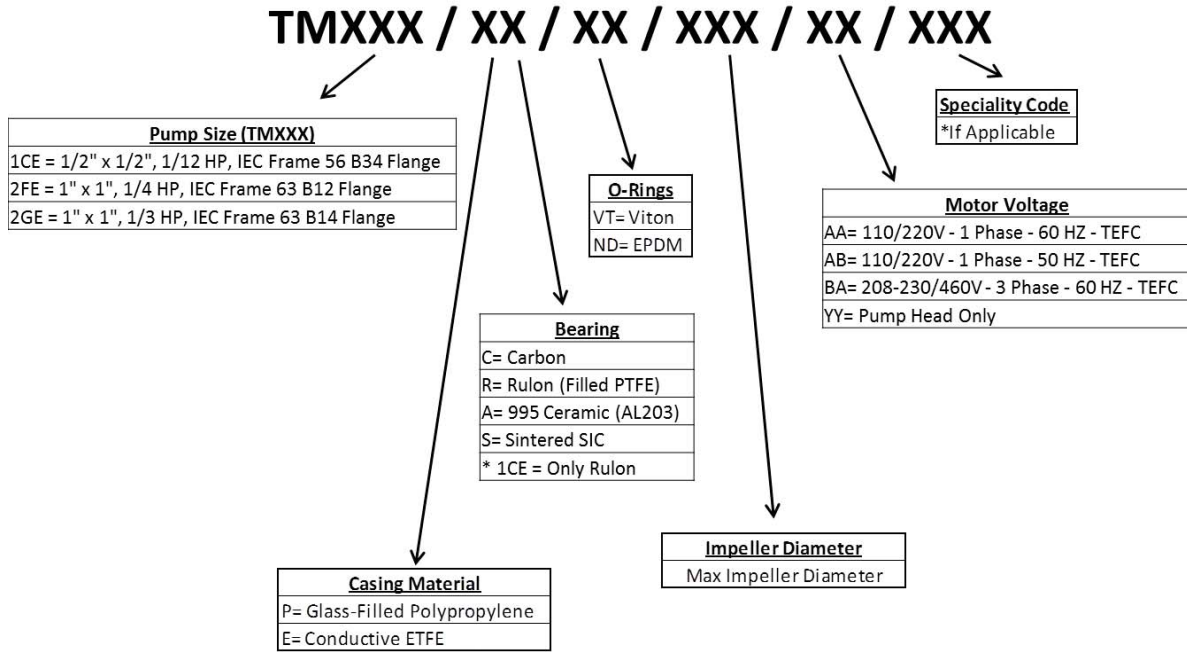
Motor

- AM series pumps are powered using dual rated IEC framed motors.
- Motors can be provided in TEFC, 50 or 60 Hertz, Single or Three Phase, and in standard voltages.

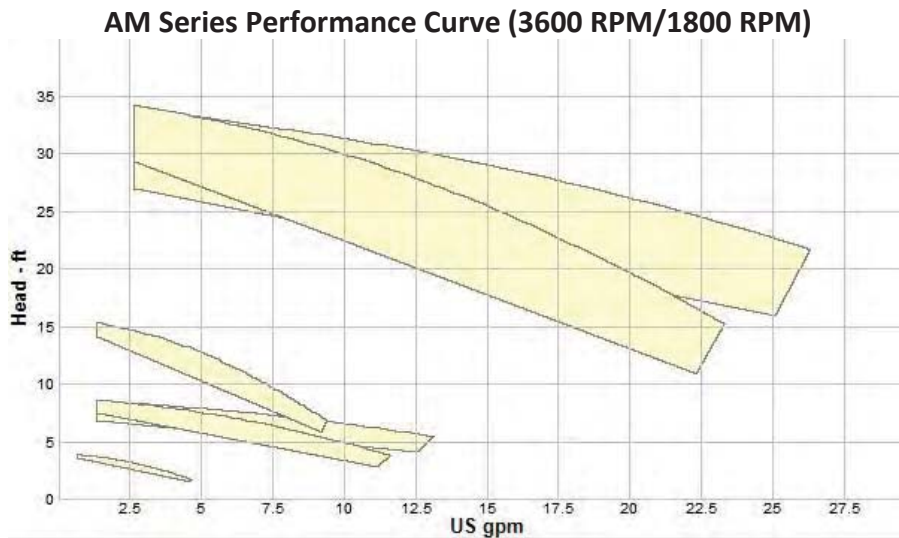
AM Series Specification

Standard Sizes and Material of Construction

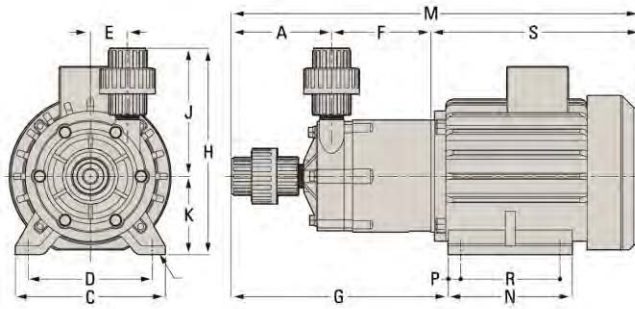
Example- **TM2GE/ES/VT/076/AA**
2GE= 1" x 1", 1/3 HP, IEC Frame 63 B14 Flange, **E**=ETFE, **S**=SIC, **VT**=Viton
AA= 110/220V - 1 Phase- 60HZ - TEFC motor



Bearing/Bushings Detail					
	Bearing	Shaft	Wear Ring	Front Thrust Ring	Rear Thrust Ring
C= Carbon	Carbon	Ceramic	Carbon	Ceramic	Ceramic
R= Rulon	Rulon	Ceramic	Rulon	Ceramic	Ceramic
A= 995 Al Ceramic	Ceramic	Ceramic	Rulon	Ceramic	Ceramic
S= Sintered SIC	SIC	SIC	SIC	SIC	SIC



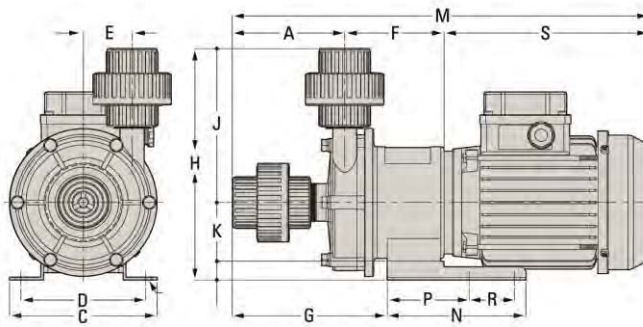
1/12HP (0.065 kW)-[TM1C]



DIMENSIONS

ITEM	STANDARD (inch)	METRIC (mm)
A	3.2	81
B	N/A	N/A
C	4.8	121
D	3.9	100
E	1.2	30
F	3.1	80
G	6.9	175
H	6.5	166
J	4.1	103
K	2.5	63
L	N/A	N/A
M	12.9	329
N	3.9	100
P	0.4	10
R	3.1	80
S	6.6	168
In	1/2	13
Out	1/2	13

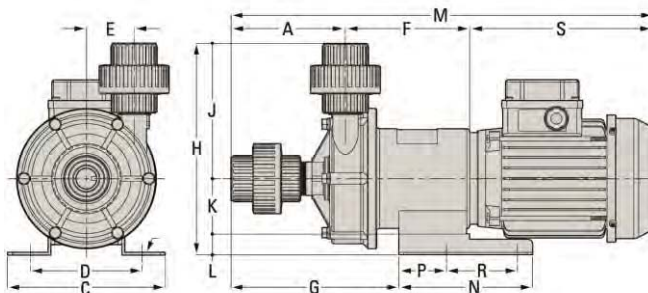
1/4HP (0.18 kW)-[TM2F]



DIMENSIONS

ITEM	STANDARD (inch)	METRIC (mm)
A	3.9	99
B	N/A	N/A
C	5.1	130
D	4.3	110
E	1.7	43
F	3.5	88
G	5.4	137
H	7.9	203
J	5.3	135
K	2.0	52
L	N/A	N/A
M	14.4	367
N	4.8	122
P	2.8	72
R	1.6	40
S	7.1	181
In	1	25
Out	1	25

1/3HP (0.25 kW)-[TM2G]



DIMENSIONS

ITEM	STANDARD (inch)	METRIC (mm)
A	4.4	113
B	N/A	N/A
C	6.1	156
D	4.3	110
E	1.9	47
F	4.8	123
G	6.5	166
H	8.2	208
J	5.2	133
K	2.2	55
L	0.8	21.0
M	16.3	416
N	5.2	132
P	1.9	47
R	2.8	70
S	7.1	181
In	1	25
Out	1	25