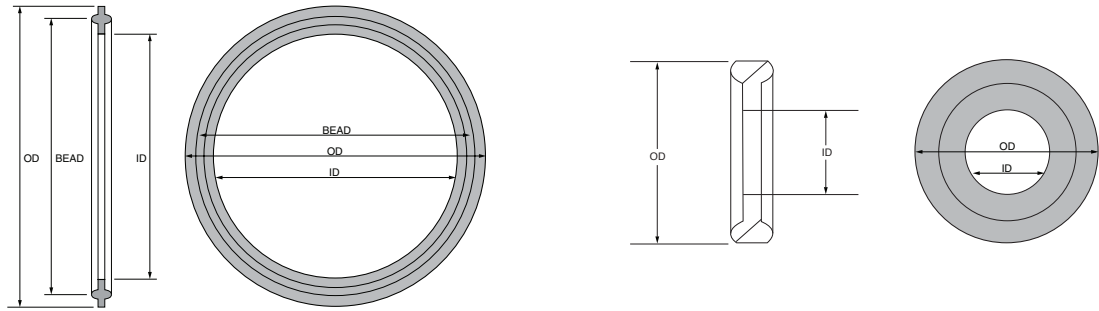


Rubber Fab

a Garlock Hygienic Technologies company

Dimensional Chart

For sanitary Tri-Clamp® gaskets.



ID		OD		Bead			DIN 32676	ISO1127	BPE	SCH 5
inch	mm	inch	mm	inch	mm					
0.17	4.2	0.87	22	*	*		DN06		1/4"	
0.24	6.2	0.87	22	*	*		DN08			
0.32	8.2	0.87	22	*	*		DN10B		3/8"	
0.40	10.2	0.87	22	*	*		DN12		1/2"	
0.48	12.2	0.87	22	*	*		DN14			
0.56	14.2	0.87	22	*	*		DN16			
0.64	16.2	0.87	22	*	*		DN18		3/4"	
* Mini gaskets do not have a ferrule bead. Above sizes utilize clamp size: 13MHHM-304-050/075										
0.40	10.2	1.34	34	1.08	27.5		DN10			
0.41	10.5	1.34	34	1.08	27.5			DN08		
0.56	14.2	1.34	34	1.08	27.5			DN10		
0.64	16.2	1.34	34	1.08	27.5		DN15			
0.72	18.2	1.34	34	1.08	27.5			DN15		
0.80	20.2	1.34	34	1.08	27.5		DN20			
0.90	22.9	1.34	34	1.08	27.5				1" NEW	
Above sizes utilize clamp size: 13MHHM-304-34mm										
0.90	22.9	1.49	37.7	1.25	31.75				1" MAXI	
Above size utilizes clamp size: 13MHHM-304-100/150										
.40	10.2	2.00	50.5	1.71	43.5		DN10C			
.56	14.2	2.00	50.5	1.71	43.5			DN10B		
.64	16.2	2.00	50.5	1.71	43.5		DN15B			
.79	20.2	2.00	50.5	1.71	43.5		DN20B			
0.72	18.4	2.00	50.5	1.71	43.5			DN15B		
0.90	22.9	2.00	50.5	1.71	43.5				1"	
0.94	23.9	2.00	50.5	1.71	43.5			DN20		
1.03	26.2	2.00	50.5	1.71	43.5		DN25			
1.18	29.9	2.00	50.5	1.71	43.5			DN25		
1.20	30.5	2.00	50.5	1.71	43.5					1"
1.27	32.2	2.00	50.5	1.71	43.5		DN32			
1.39	35.3	2.00	50.5	1.71	43.5				1.5"	
1.50	38.2	2.00	50.5	1.71	43.5		DN40			
1.52	38.6	2.00	50.5	1.71	43.5			DN32		
Above sizes utilize clamp size: 13MHHM-304-100/150										

26 Brookfield Drive • Sparta, New Jersey 07871

973.579.2959 • 866-442-2959 Toll Free • 973.579.7275 Fax • www.rubberfab.com

Rubber Fab

a Garlock Hygienic Technologies company

ID		OD		Bead		DIN 32676	ISO1127	BPE	SCH 5
inch	mm	inch	mm	inch	mm				
1.52	38.6	2.52	64	2.22	56.5		DN32B		
1.75	44.5	2.52	64	2.22	56.5		DN40		
1.78	45.3	2.52	64	2.22	56.5				1.5"
1.88	47.8	2.52	64	2.22	56.5			2"	
1.98	50.2	2.52	64	2.22	56.5	DN50			
Above sizes utilize clamp size: 13MHHM-304-200									
2.22	56.5	3.05	77.5	2.78	70.5		DN50		
2.26	57.4	3.05	77.5	2.78	70.5				2"
2.39	60.5	3.05	77.5	2.78	70.5			2.5"	
Above sizes utilize clamp size: 13MHHM-304-250									
2.60	66.2	3.58	91	3.29	83.5	DN65			
2.72	69	3.58	91	3.29	83.5				2.5"
2.85	72.3	3.58	91	3.29	83.5		DN65		
2.88	73.1	3.58	91	3.29	83.5			3"	
Above sizes utilizes clamp size: 13MHHM-304-300									
3.20	81.2	4.17	106	3.82	97	DN80			
3.35	85.1	4.17	106	3.82	97		DN80		3"
Above sizes utilize clamp size: 13MHHM-V-304-300									
3.85	97.7	4.67	119	4.33	110			4"	
3.94	100.2	4.67	119	4.33	110	DN100			
Above sizes utilize clamp size: 13MHHM-304-400									
4.35	110.5	5.12	130	4.80	122	DN115	DN100		4"
Above size utilizes clamp size: 13MHHM-V-304-400									
4.86	123.5	5.68	144.2	5.29	134.3			5"	
Above sizes utilize clamp size: 13MHHM-304-500									
4.94	125.4	6.10	155	5.75	146	DN125			
5.30	134.7	6.10	155	5.75	146		DN125		
5.35	135.9	6.10	155	5.75	146				5"
Above sizes utilize clamp size: 13MHHM-V-304-500									
5.80	147.2	6.57	167	6.16	156.5			6"	
Above size utilizes clamp size: 13MHHM-304-600									
5.92	150.4	7.20	183	6.85	174	DN150			
6.43	163.3	7.20	183	6.85	174		DN150		6"
Above sizes utilize clamp size: 13MHHM-V-304-600									
7.80	198	8.56	217.4	8.15	207			8"	
Above sizes utilize clamp size: 13MHHM-304-800									
7.88	200.2	9.19	233.5	8.86	225	DN200			
8.43	214.2	9.19	233.5	8.86	225		DN200		8"
Above sizes utilize clamp size: 13MHHM-V-304-800									
9.74	247.4	10.55	268	10.12	257	DN250		10"	
Above size utilizes clamp size: 13MHHM-304-1000									
11.74	298.2	12.56	319	12.17	309	DN300		12"	
Above size utilizes clamp size: 13MHHM-304-1200									

26 Brookfield Drive • Sparta, New Jersey 07871

973.579.2959 • 866-442-2959 Toll Free • 973.579.7275 Fax • www.rubberfab.com