

# Specifications

|   |                          |
|---|--------------------------|
| <b>Port Sizes</b>                               | 1/4", 3/8"               |
| <b>Thread Styles</b>                            | NPT, BSPT, BSPP          |
| <b>Flow Capacity</b>                            | 20 SCFM @ 100 PSI        |
| <b>Filter Capacity</b>                          | 1.0 micron & larger      |
| <b>Differential Pressure</b>                    | < 5.0 PSID at rated flow |
| <b>Max. Temp./Pressure (Aluminum Bowl)</b>      | 175 °F/200 PSIG          |
| <b>Max. Temp./Pressure (Polycarbonate Bowl)</b> | 125 °F/150 PSIG          |
| <b>Approx. Weight (lb.)</b>                     | 2.0                      |
| <b>ISO Class</b>                                | 2 Particulate            |

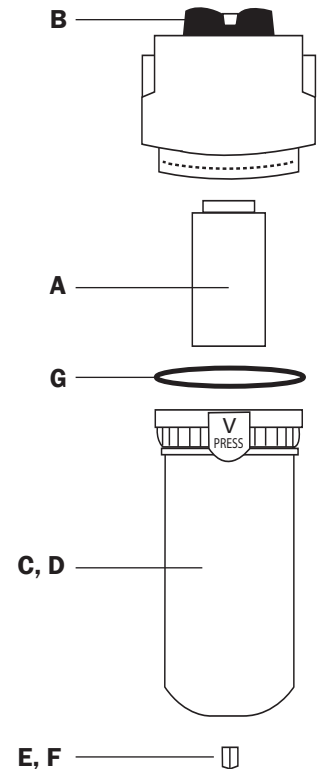
For higher pressure applications, consult factory. Units equipped with differential pressure indicator have max. temperature and pressure of 125 °F and 150 PSIG, regardless of bowl material.



**Water**  
**Dirt**  
**Oil**  
**Oil Vapor**  
**Odor**

# Replacement Parts & Accessories

| Description  | Part Number |
|--|-------------|
| <b>A</b> Replacement Element                                       | 3P-020      |
| <b>B</b> Differential Pressure Indicator                           | N32-W1-DPi  |
| <b>B</b> Blanking Cap (Cover for Indicator)                        | N32-95-020  |
| <b>C</b> Bowl Assembly: Metal Bowl, Manual Petcock Drain, & O-ring | N32-95-178  |
| <b>C</b> Bowl Assembly: Metal Bowl, Auto Float Drain, & O-ring     | N32-95-950  |
| <b>D</b> Bowl Assembly: Poly Bowl, Manual Petcock Drain, & O-ring* | N32-15-159  |
| <b>D</b> Bowl Assembly: Poly Bowl, Auto Float Drain, & O-ring*     | N32-15-160  |
| <b>E</b> Manual Brass Petcock Drain                                | N32-95-182  |
| <b>F</b> Automatic Plastic Float Drain                             | N32-95-973  |
| <b>G</b> Bowl O-ring   | N32-95-009  |



# Order Guide

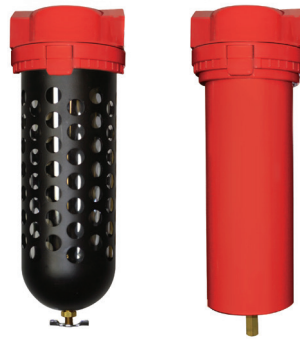
|                     | Port Size | Model Number |              | Dimensions (in.) |       |       |
|---------------------|-----------|--------------|--------------|------------------|-------|-------|
|                     |           | Metal Bowl   | Poly Bowl    | Height**         | Width | Depth |
| <b>Manual Drain</b> | 1/4"      | 3P-020-M02-P | 3P-020-P02-P | 6.8              | 3.0   | 2.7   |
|                     | 3/8"      | 3P-020-M03-P | 3P-020-P03-P | 6.8              | 3.0   | 2.7   |
| <b>Auto Drain</b>   | 1/4"      | 3P-020-M02-F | 3P-020-P02-F | 6.8              | 3.0   | 2.7   |
|                     | 3/8"      | 3P-020-M03-F | 3P-020-P03-F | 6.8              | 3.0   | 2.7   |

\*Poly bowls come with metal bowl guard  
\*\*To add an indicator, add "i" to end of model number (Indicator adds about 1" to height)

# Specifications

|   |                          |
|---|--------------------------|
| <b>Port Sizes</b>                               | 1/4", 3/8", 1/2"         |
| <b>Thread Styles</b>                            | NPT, BSPT, BSPP          |
| <b>Flow Capacity</b>                            | 35/60 SCFM @ 100 PSI     |
| <b>Filter Capacity</b>                          | 1.0 micron & larger      |
| <b>Differential Pressure</b>                    | < 5.0 PSID at rated flow |
| <b>Max. Temp./Pressure (Aluminum Bowl)</b>      | 175 °F/200 PSIG          |
| <b>Max. Temp./Pressure (Polycarbonate Bowl)</b> | 125 °F/150 PSIG          |
| <b>Approx. Weight (lb.)</b>                     | 3.5                      |
| <b>ISO Class</b>                                | 2 Particulate            |

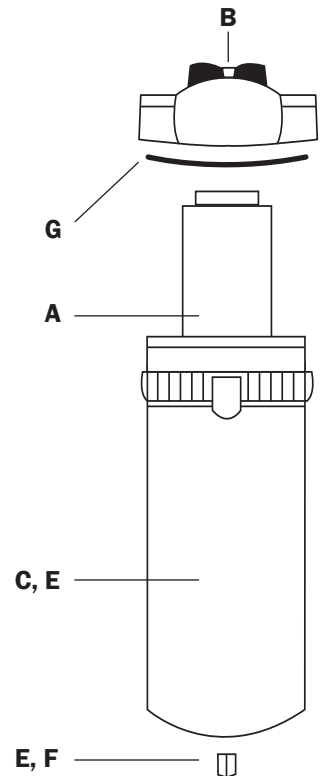
For higher pressure applications, consult factory. Units equipped with differential pressure indicator have max temperature and pressure of 125 °F and 150 PSIG, regardless of bowl material.



**Water**  
**Dirt**  
**Oil**  
**Oil Vapor**  
**Odor**

# Replacement Parts & Accessories

| Description  | Part Number   |
|--|---------------|
| <b>A</b> Replacement Element                                       | 3P-035/3P-060 |
| <b>B</b> Differential Pressure Indicator                           | N32-W1-DPi    |
| <b>B</b> Blanking Cap (Cover for Indicator)                        | N32-95-020    |
| <b>C</b> Bowl Assembly: Metal Bowl, Manual Petcock Drain, & O-ring | N34-95-205    |
| <b>C</b> Bowl Assembly: Metal Bowl, Auto Float Drain, & O-ring     | N34-95-201    |
| <b>D</b> Bowl Assembly: Poly Bowl, Manual Petcock Drain, & O-ring* | N32-15-163    |
| <b>D</b> Bowl Assembly: Poly Bowl, Auto Float Drain, & O-ring*     | N32-15-164    |
| <b>E</b> Manual Petcock Drain (Metal Bowl)                         | PC-02         |
| <b>E</b> Manual Petcock Drain (Poly Bowl)                          | N32-95-182    |
| <b>F</b> Automatic Plastic Float Drain (Metal Bowl)                | N32-95-979    |
| <b>F</b> Automatic Brass Float Drain (Poly Bowl)                   | N32-95-978    |
| <b>G</b> Bowl O-ring   | N32-95-257    |



# Order Guide

|                     | Port Size | Model Number |              |              |              |
|---------------------|-----------|--------------|--------------|--------------|--------------|
|                     |           | Metal Bowl   |              | Poly Bowl    |              |
|                     |           | Low Flow     | Med Flow     | Low Flow     | Med Flow     |
| <b>Manual Drain</b> | 1/4"      | 3P-035-M02-P | 3P-060-M02-P | 3P-035-P02-P | 3P-060-P02-P |
|                     | 3/8"      | 3P-035-M03-P | 3P-060-M03-P | 3P-035-P03-P | 3P-060-P03-P |
|                     | 1/2"      | 3P-035-M04-P | 3P-060-M04-P | 3P-035-P04-P | 3P-060-P04-P |

| Dimensions (in.) |      |       |       |
|------------------|------|-------|-------|
| Height**         |      | Width | Depth |
| Metal            | Poly |       |       |
| 10.0             | 10.0 | 3.9   | 3.9   |
| 10.0             | 10.0 | 3.9   | 3.9   |
| 10.0             | 10.0 | 3.9   | 3.9   |

|                        |      |              |              |              |              |      |      |     |     |
|------------------------|------|--------------|--------------|--------------|--------------|------|------|-----|-----|
| <b>Automatic Drain</b> | 1/4" | 3P-035-M02-F | 3P-060-M02-F | 3P-035-P02-F | 3P-060-P02-F | 10.0 | 10.5 | 3.9 | 3.9 |
|                        | 3/8" | 3P-035-M03-F | 3P-060-M03-F | 3P-035-P03-F | 3P-060-P03-F | 10.0 | 10.5 | 3.9 | 3.9 |
|                        | 1/2" | 3P-035-M04-F | 3P-060-M04-F | 3P-035-P04-F | 3P-060-P04-F | 10.0 | 10.5 | 3.9 | 3.9 |

\*Poly bowls come with metal bowl guard

\*\*To add an indicator, add "i" to end of model number (Indicator adds about 1" to height)

# Specifications

|   |                          |
|---|--------------------------|
| <b>Port Sizes</b>                               | 1/2", 3/4", 1"           |
| <b>Thread Styles</b>                            | NPT, BSPT, BSPP          |
| <b>Flow Capacity</b>                            | 90/150 SCFM @ 100 PSI    |
| <b>Filter Capacity</b>                          | 1.0 micron & larger      |
| <b>Differential Pressure</b>                    | < 5.0 PSID at rated flow |
| <b>Max. Temp./Pressure (Aluminum Bowl)</b>      | 175 °F/200 PSIG          |
| <b>Max. Temp./Pressure (Polycarbonate Bowl)</b> | 125 °F/150 PSIG          |
| <b>Approx. Weight (lb.)</b>                     | 6.0                      |
| <b>ISO Class</b>                                | 2 Particulate            |

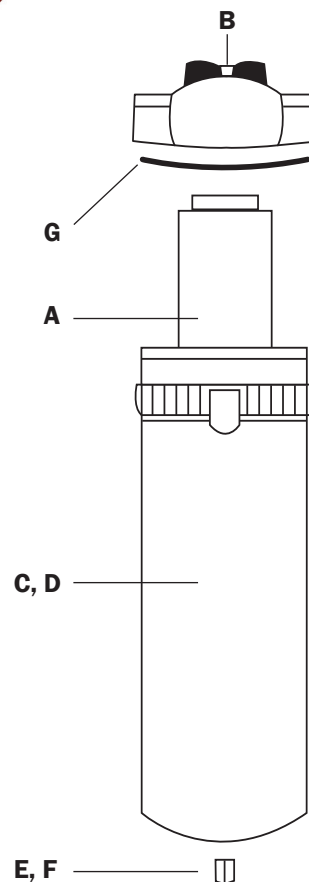
For higher pressure applications, consult factory. Units equipped with differential pressure indicator have max. temperature and pressure of 125 °F and 150 PSIG, regardless of bowl material.



**Water**  
**Dirt**  
**Oil**  
**Oil Vapor**  
**Odor**

# Replacement Parts & Accessories

| Description  | Part Number   |
|--|---------------|
| <b>A</b> Replacement Element                                       | 3P-090/3P-150 |
| <b>B</b> Differential Pressure Indicator                           | N32-W1-DPI    |
| <b>B</b> Blanking Cap (Cover for Indicator)                        | N32-95-020    |
| <b>C</b> Bowl Assembly: Metal Bowl, Manual Petcock Drain, & O-ring | N34-15-180    |
| <b>C</b> Bowl Assembly: Metal Bowl, Auto Float Drain, & O-ring     | N34-15-178    |
| <b>D</b> Bowl Assembly: Poly Bowl, Manual Petcock Drain, & O-ring* | N32-15-167    |
| <b>D</b> Bowl Assembly: Poly Bowl, Auto Float Drain, & O-ring*     | N32-15-166    |
| <b>E</b> Manual Petcock Drain (Metal Bowl)                         | PC-03         |
| <b>E</b> Manual Petcock Drain (Poly Bowl)                          | N32-95-182    |
| <b>F</b> Automatic Plastic Float Drain (Metal Bowl)                | N32-95-979    |
| <b>F</b> Automatic Brass Float Drain (Poly Bowl)                   | N32-95-978    |
| <b>G</b> Bowl O-ring   | N32-95-256    |



# Order Guide

|                        | Port Size | Model Number |              |              |              |
|------------------------|-----------|--------------|--------------|--------------|--------------|
|                        |           | Metal Bowl   |              | Poly Bowl    |              |
|                        |           | Low Flow     | Med Flow     | Low Flow     | Med Flow     |
| <b>Manual Drain</b>    | 1/2"      | 3P-090-M04-P | 3P-150-M04-P | 3P-090-P04-P | 3P-150-P04-P |
|                        | 3/4"      | 3P-090-M06-P | 3P-150-M06-P | 3P-090-P06-P | 3P-150-P06-P |
|                        | 1"        | 3P-090-M08-P | 3P-150-M08-P | 3P-090-P08-P | 3P-150-P08-P |
| <b>Automatic Drain</b> | 1/2"      | 3P-090-M04-F | 3P-150-M04-F | 3P-090-P04-F | 3P-150-P04-F |
|                        | 3/4"      | 3P-090-M06-F | 3P-150-M06-F | 3P-090-P06-F | 3P-150-P06-F |
|                        | 1"        | 3P-090-M08-F | 3P-150-M08-F | 3P-090-P08-F | 3P-150-P08-F |

| Dimensions (in.) |      |       |       |
|------------------|------|-------|-------|
| Height**         |      | Width | Depth |
| Metal            | Poly |       |       |
| 17.0             | 14.0 | 4.6   | 4.8   |
| 17.0             | 14.0 | 4.6   | 4.8   |
| 17.0             | 14.0 | 4.6   | 4.8   |
| 17.0             | 14.5 | 4.6   | 4.8   |
| 17.0             | 14.5 | 4.6   | 4.8   |
| 17.0             | 14.5 | 4.6   | 4.8   |

\*Poly bowls come with metal bowl guard

\*\*To add an indicator, add "I" to end of model number (Indicator adds about 1" to height)

Literature Sheet: i003, i007, i020, i021, i038, i070

