

Specifications

Port Sizes	1/4", 3/8"
Thread Styles	NPT, BSPT, BSPP
Flow Capacity	20 SCFM @ 100 PSI
Filter Capacity	0.01 micron & larger
Differential Pressure	< 5.0 PSID at rated flow
Max. Temp./Pressure (Aluminum Bowl)	175 °F/200 PSIG
Max. Temp./Pressure (Polycarbonate Bowl)	125 °F/150 PSIG
Approx. Weight (lb.)	4.0
ISO Class	1 Particulate/Oil

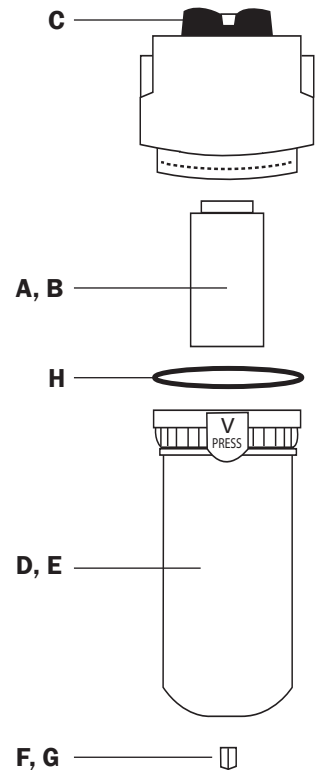
For higher pressure applications, consult factory. Units equipped with differential pressure indicator have max. temperature and pressure of 125 °F and 150 PSIG, regardless of bowl material.



Water
Dirt
Oil
Oil Vapor
Odor

Replacement Parts & Accessories

Description	Part Number
A Replacement Element, 1st Stage	3P-020
B Replacement Element, 2nd Stage	3C-020
C Differential Pressure Indicator	N32-W1-DPi
C Blanking Cap (Cover for Indicator)	N32-95-020
D Bowl Assembly: Metal Bowl, Manual Petcock Drain, & O-ring	N32-95-178
D Bowl Assembly: Metal Bowl, Auto Float Drain, & O-ring	N32-95-950
E Bowl Assembly: Poly Bowl, Manual Petcock Drain, & O-ring*	N32-15-159
E Bowl Assembly: Poly Bowl, Auto Float Drain, & O-ring*	N32-15-160
F Manual Petcock Drain	N32-95-182
G Automatic Plastic Float Drain (Metal Bowl)	N32-95-973
H Bowl O-ring	N32-95-009



Order Guide

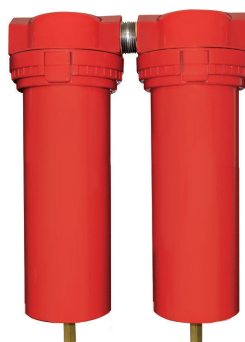
	Port Size	Model Number		Dimensions (in.)		
		Metal Bowl	Poly Bowl	Height**	Width	Depth
Manual Drain	1/4"	3P-020-M02-DCP	3P-020-P02-DCP	6.8	6.5	2.7
	3/8"	3P-020-M03-DCP	3P-020-P03-DCP	6.8	6.5	2.7
Auto Drain	1/4"	3P-020-M02-DC	3P-020-P02-DC	6.8	6.5	2.7
	3/8"	3P-020-M03-DC	3P-020-P03-DC	6.8	6.5	2.7

*Poly bowls come with metal bowl guard
**To add an indicator, add "I" to end of model number (Indicator adds about 1" to height)

Specifications

Port Sizes	1/4", 3/8", 1/2"
Thread Styles	NPT, BSPT, BSPP
Flow Capacity	60 SCFM @ 100 PSI
Filter Capacity	0.01 micron & larger
Differential Pressure	< 5.0 PSID at rated flow
Max. Temp./Pressure (Aluminum Bowl)	175 °F/200 PSIG
Max. Temp./Pressure (Polycarbonate Bowl)	125 °F/150 PSIG
Approx. Weight (lb.)	7.0
ISO Class	1 Particulate/Oil

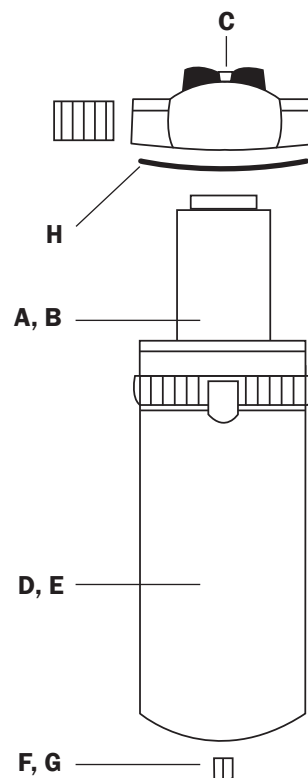
For higher pressure applications, consult factory. Units equipped with differential pressure indicator have max. temperature and pressure of 125 °F and 150 PSIG, regardless of bowl material.



Water
Dirt
Oil
Oil Vapor
Odor

Replacement Parts & Accessories

Description	Part Number
A Replacement Element, 1st Stage	3P-060
B Replacement Element, 2nd Stage	3C-060
C Differential Pressure Indicator	N32-W1-DPi
C Blanking Cap (Cover for Indicator)	N32-95-020
D Bowl Assembly: Metal Bowl, Manual Petcock Drain, & O-ring	N34-95-205
D Bowl Assembly: Metal Bowl, Auto Float Drain, & O-ring	N34-95-201
E Bowl Assembly: Poly Bowl, Manual Petcock Drain, & O-ring*	N32-15-163
E Bowl Assembly: Poly Bowl, Auto Float Drain, & O-ring*	N32-15-164
F Manual Petcock Drain (Metal Bowl)	PC-02
F Manual Petcock Drain (Poly Bowl)	N32-95-182
G Automatic Plastic Float Drain (Metal Bowl)	N32-95-979
G Automatic Brass Float Drain (Poly Bowl)	N32-95-978
H Bowl O-ring	N32-95-257



Order Guide

	Port Size	Model Number	
		Metal Bowl	Poly Bowl
Manual Drain	1/4"	3P-060-M02-DCP	3P-060-P02-DCP
	3/8"	3P-060-M03-DCP	3P-060-P03-DCP
	1/2"	3P-060-M04-DCP	3P-060-P04-DCP
Automatic Drain	1/4"	3P-060-M02-DC	3P-060-P02-DC
	3/8"	3P-060-M03-DC	3P-060-P03-DC
	1/2"	3P-060-M04-DC	3P-060-P04-DC

Dimensions (in.)			
Height**		Width	Depth
Metal	Poly		
10.0	10.0	8.0	3.9
10.0	10.0	8.0	3.9
10.0	10.0	8.0	3.9
10.0	10.5	8.0	3.9
10.0	10.5	8.0	3.9
10.0	10.5	8.0	3.9

*Poly bowls come with metal bowl guard

**To add an indicator, add "i" to end of model number (Indicator adds about 1" to height)

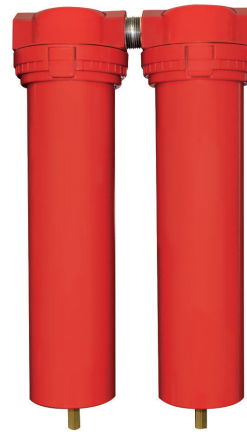
Literature Sheet: i003, i006, i011, i015, i078



Specifications

Port Sizes	1/2", 3/4", 1"
Thread Styles	NPT, BSPT, BSPP
Flow Capacity	90/150 SCFM @ 100 PSI
Filter Capacity	0.01 micron & larger
Differential Pressure	< 5.0 PSID at rated flow
Max. Temp./Pressure (Aluminum Bowl)	175 °F/200 PSIG
Max. Temp./Pressure (Polycarbonate Bowl)	125 °F/150 PSIG
Approx. Weight (lb.)	12.0
ISO Class	1 Particulate/Oil

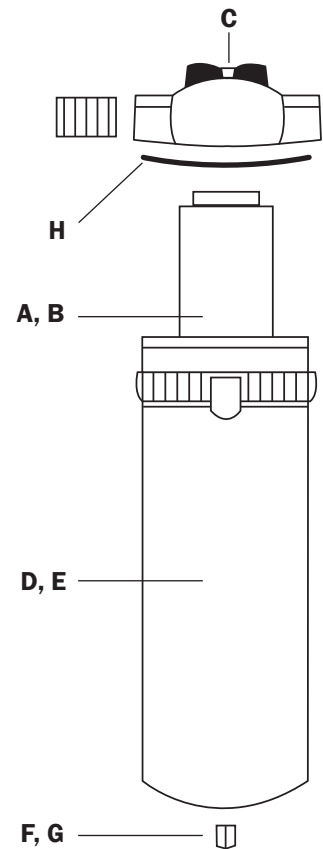
For higher pressure applications, consult factory. Units equipped with differential pressure indicator have max. temperature and pressure of 125 °F and 150 PSIG, regardless of bowl material.



Water
Dirt
Oil
Oil Vapor
Odor

Replacement Parts & Accessories

Description	Part Number
A Replacement Element, 1st Stage	3P-090/3P-150
B Replacement Element, 2nd Stage	3C-090/3C-150
C Differential Pressure Indicator	N32-W1-DPI
C Blanking Cap (Cover for Indicator)	N32-95-020
D Bowl Assembly: Metal Bowl, Manual Petcock Drain, & O-ring	N34-15-180
D Bowl Assembly: Metal Bowl, Auto Float Drain, & O-ring	N34-15-178
E Bowl Assembly: Poly Bowl, Manual Petcock Drain, & O-ring*	N32-15-167
E Bowl Assembly: Poly Bowl, Auto Float Drain, & O-ring*	N32-15-166
F Manual Petcock Drain (Metal Bowl)	PC-03
F Manual Petcock Drain (Poly Bowl)	N32-95-182
G Automatic Plastic Float Drain (Metal Bowl)	N32-95-979
G Automatic Brass Float Drain (Poly Bowl)	N32-95-978
H Bowl O-ring	N32-95-256



Order Guide

	Port Size	Model Number			
		Metal Bowl		Poly Bowl	
		Low Flow	Med Flow	Low Flow	Med Flow
Manual Drain	1/2"	3P-090-M04-DCP	3P-150-M04-DCP	3P-090-P04-DCP	3P-150-P04-DCP
	3/4"	3P-090-M06-DCP	3P-150-M06-DCP	3P-090-P06-DCP	3P-150-P06-DCP
	1"	3P-090-M08-DCP	3P-150-M08-DCP	3P-090-P08-DCP	3P-150-P08-DCP
Auto Drain	1/2"	3P-090-M04-DC	3P-150-M04-DC	3P-090-P04-DC	3P-150-P04-DC
	3/4"	3P-090-M06-DC	3P-150-M06-DC	3P-090-P06-DC	3P-150-P06-DC
	1"	3P-090-M08-DC	3P-150-M08-DC	3P-090-P08-DC	3P-150-P08-DC

Dimensions (in.)			
Height**		Width	Depth
Metal	Poly		
17.0	14.0	9.6	4.8
17.0	14.0	9.6	4.8
17.0	14.0	9.6	4.8
17.0	14.5	9.6	4.8
17.0	14.5	9.6	4.8
17.0	14.5	9.6	4.8

*Poly bowls come with metal bowl guard

**To add an indicator, add "i" to end of model number (Indicator adds about 1" to height)