

# Specifications

<b>Port Sizes</b>	1/4"
<b>Thread Styles</b>	NPT, BSPT, BSPP
<b>Flow Capacity</b>	20 SCFM @ 100 PSI
<b>Filter Capacity</b>	0.01 micron & larger
<b>Differential Pressure</b>	< 1.5 PSID at rated flow
<b>Max. Temp./Pressure (Aluminum Bowl)</b>	175 °F/200 PSIG
<b>Max. Temp./Pressure (Polycarbonate Bowl)</b>	125 °F/150 PSIG
<b>Approx. Weight (lb.)</b>	2.0
<b>ISO Class</b>	1 Particulate/Oil

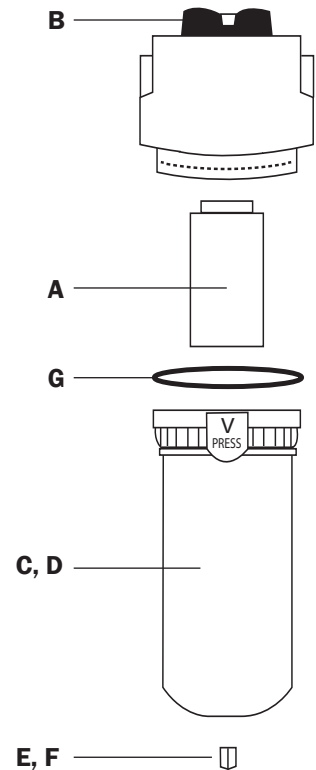
For higher pressure applications, consult factory. Units equipped with differential pressure indicator have max. temperature and pressure of 125 °F and 150 PSIG, regardless of bowl material.



Water  
Dirt  
Oil  
Oil Vapor  
Odor

# Replacement Parts & Accessories

Description	Part Number
<b>A</b> Replacement Element	3C-020
<b>B</b> Differential Pressure Indicator	N32-W1-DPi
<b>B</b> Blanking Cap (Cover for Indicator)	N32-95-020
<b>C</b> Bowl Assembly: Metal Bowl, Manual Petcock Drain, & O-ring	N32-95-178
<b>C</b> Bowl Assembly: Metal Bowl, Auto Float Drain, & O-ring	N32-95-950
<b>D</b> Bowl Assembly: Poly Bowl, Manual Petcock Drain, & O-ring*	N32-15-159
<b>D</b> Bowl Assembly: Poly Bowl, Auto Float Drain, & O-ring*	N32-15-160
<b>E</b> Manual Petcock Drain	N32-95-182
<b>F</b> Automatic Plastic Float Drain	N32-95-973
<b>G</b> Bowl O-ring	N32-95-009



# Order Guide

	Port Size	Model Number		Dimensions (in.)		
		Metal Bowl	Poly Bowl	Height**	Width	Depth
<b>Manual Drain</b>	1/4"	3C-020-M02-P	3C-020-P02-P	6.8	3.0	2.7
<b>Auto Drain</b>	1/4"	3C-020-M02-F	3C-020-P02-F	6.8	3.0	2.7

\*Poly bowls come with metal bowl guard

\*\*To add an indicator, add "i" to end of model number (Indicator adds about 1" to height)

# Specifications

<b>Port Sizes</b>	1/4", 3/8", 1/2"
<b>Thread Styles</b>	NPT, BSPT, BSPP
<b>Flow Capacity</b>	60 SCFM @ 100 PSI
<b>Filter Capacity</b>	0.01 micron & larger
<b>Differential Pressure</b>	< 1.5 PSID at rated flow
<b>Max. Temp./Pressure (Aluminum Bowl)</b>	175 °F/200 PSIG
<b>Max. Temp./Pressure (Polycarbonate Bowl)</b>	125 °F/150 PSIG
<b>Approx. Weight (lb.)</b>	3.5
<b>ISO Class</b>	1 Particulate/Oil

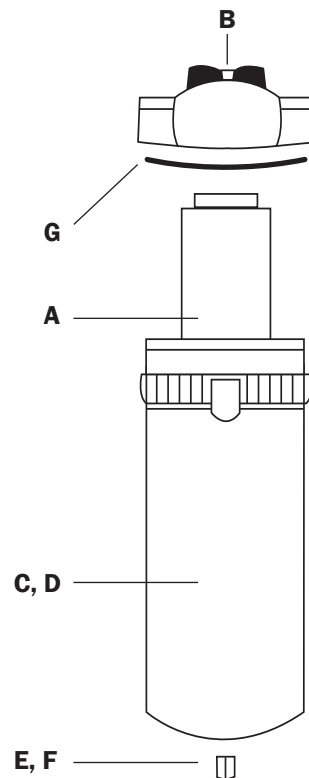
For higher pressure applications, consult factory. Units equipped with differential pressure indicator have max. temperature and pressure of 125 °F and 150 PSIG, regardless of bowl material.



Water  
Dirt  
Oil  
Oil Vapor  
Odor

# Replacement Parts & Accessories

Description	Part Number
<b>A</b> Replacement Element	3C-060
<b>B</b> Differential Pressure Indicator	N32-W1-DPi
<b>B</b> Blanking Cap (Cover for Indicator)	N32-95-020
<b>C</b> Bowl Assembly: Metal Bowl, Manual Petcock Drain, & O-ring	N34-95-205
<b>C</b> Bowl Assembly: Metal Bowl, Auto Float Drain, & O-ring	N34-95-201
<b>D</b> Bowl Assembly: Poly Bowl, Manual Petcock Drain, & O-ring*	N32-15-163
<b>D</b> Bowl Assembly: Poly Bowl, Auto Float Drain, & O-ring*	N32-15-164
<b>E</b> Manual Petcock Drain (Metal Bowl)	PC-02
<b>E</b> Manual Petcock Drain (Poly Bowl)	N32-95-182
<b>F</b> Automatic Plastic Float Drain (Metal Bowl)	N32-95-979
<b>F</b> Automatic Brass Float Drain (Poly Bowl)	N32-95-978
<b>G</b> Bowl O-ring	N32-95-257



# Order Guide

	Port Size	Model Number		Dimensions (in.)			
		Metal Bowl	Poly Bowl	Height**		Width	Depth
				Metal	Poly		
Manual Drain	1/4"	3C-060-M02-P	3C-060-P02-P	10.0	10.0	3.9	3.9
	3/8"	3C-060-M03-P	3C-060-P03-P	10.0	10.0	3.9	3.9
	1/2"	3C-060-M04-P	3C-060-P04-P	10.0	10.0	3.9	3.9
Auto Drain	1/4"	3C-060-M02-F	3C-060-P02-F	10.0	10.5	3.9	3.9
	3/8"	3C-060-M03-F	3C-060-P03-F	10.0	10.5	3.9	3.9
	1/2"	3C-060-M04-F	3C-060-P04-F	10.0	10.5	3.9	3.9

\*Poly bowls come with metal bowl guard

\*\*To add an indicator, add "i" to end of model number (Indicator adds about 1" to height)

# Specifications

<b>Port Sizes</b>	1/2", 3/4", 1"
<b>Thread Styles</b>	NPT, BSPT, BSPP
<b>Flow Capacity</b>	90/150/250 SCFM @ 100 PSI
<b>Filter Capacity</b>	0.01 micron & larger
<b>Differential Pressure</b>	< 1.5 PSID at rated flow
<b>Max. Temp./Pressure (Aluminum Bowl)</b>	175 °F/200 PSIG
<b>Max. Temp./Pressure (Polycarbonate Bowl)</b>	125 °F/150 PSIG
<b>Approx. Weight (lb.)</b>	6.0
<b>ISO Class</b>	1 Particulate/Oil

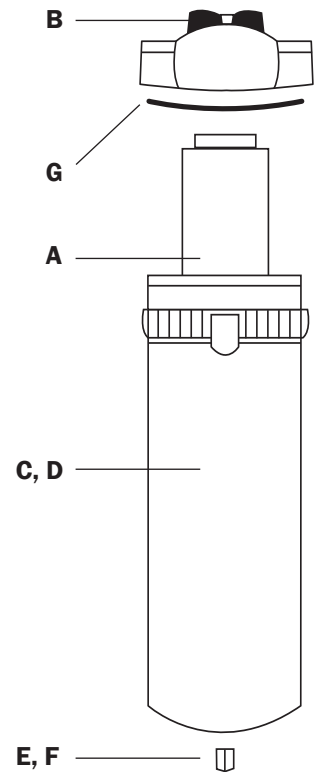
For higher pressure applications, consult factory. Units equipped with differential pressure indicator have max. temperature and pressure of 125 °F and 150 PSIG, regardless of bowl material.



Water  
Dirt  
Oil  
Oil Vapor  
Odor

# Replacement Parts & Accessories

Description	Part Number
<b>A</b> Replacement Element	3C-090/3C-150/3C-250
<b>B</b> Differential Pressure Indicator	N32-W1-DPi
<b>B</b> Blanking Cap (Cover for Indicator)	N32-95-020
<b>C</b> Bowl Assembly: Metal Bowl, Manual Petcock Drain, & O-ring	N34-15-180
<b>C</b> Bowl Assembly: Metal Bowl, Auto Float Drain, & O-ring	N34-15-178
<b>D</b> Bowl Assembly: Poly Bowl, Manual Petcock Drain, & O-ring*	N32-15-167
<b>D</b> Bowl Assembly: Poly Bowl, Auto Float Drain, & O-ring*	N32-15-166
<b>E</b> Manual Petcock Drain (Metal Bowl)	PC-03
<b>E</b> Manual Petcock Drain (Poly Bowl)	N32-95-182
<b>F</b> Automatic Plastic Float Drain (Metal Bowl)	N32-95-979
<b>F</b> Automatic Brass Float Drain (Poly Bowl)	N32-95-978
<b>G</b> Bowl O-ring	N32-95-256



# Order Guide

	Port Size	Model Number					Dimensions (in.)	
		Metal Bowl			Poly Bowl		Height**	
		Low Flow	Med Flow	High Flow	Low Flow	Med Flow	Metal	Poly
Manual Drain	1/2"	3C-090-M04-P	3C-150-M04-P	3C-250-M04-P	3C-090-P04-P	3C-150-P04-P	17.0	14.0
	3/4"	3C-090-M06-P	3C-150-M06-P	3C-250-M06-P	3C-090-P06-P	3C-150-P06-P	Width	Depth
	1"	3C-090-M08-P	3C-150-M08-P	3C-250-M08-P	3C-090-P08-P	3C-150-P08-P	4.6	4.8
Auto Drain	1/2"	3C-090-M04-F	3C-150-M04-F	3C-250-M04-F	3C-090-P04-F	3C-150-P04-F	Height**	
	3/4"	3C-090-M06-F	3C-150-M06-F	3C-250-M06-F	3C-090-P06-F	3C-150-P06-F	Metal	Poly
	1"	3C-090-M08-F	3C-150-M08-F	3C-250-M08-F	3C-090-P08-F	3C-150-P08-F	17.0	14.5

\*Poly bowls come with metal bowl guard  
 \*\*To add an indicator, add "i" to end of model number (Indicator adds about 1" to height)

# Specifications

<b>Port Sizes</b>	1¼", 1½", 2"
<b>Thread Styles</b>	NPT, BSPT, BSPP
<b>Flow Capacity</b>	300/400/700 SCFM @ 100 PSI
<b>Filter Capacity</b>	0.01 micron & larger
<b>Differential Pressure</b>	< 1.5 PSID at rated flow
<b>Max. Temp./Pressure (Aluminum Bowl)</b>	175 ° F/200 PSIG
<b>Approx. Weight (lb.)</b>	30.0
<b>ISO Class</b>	1 Particulate/Oil

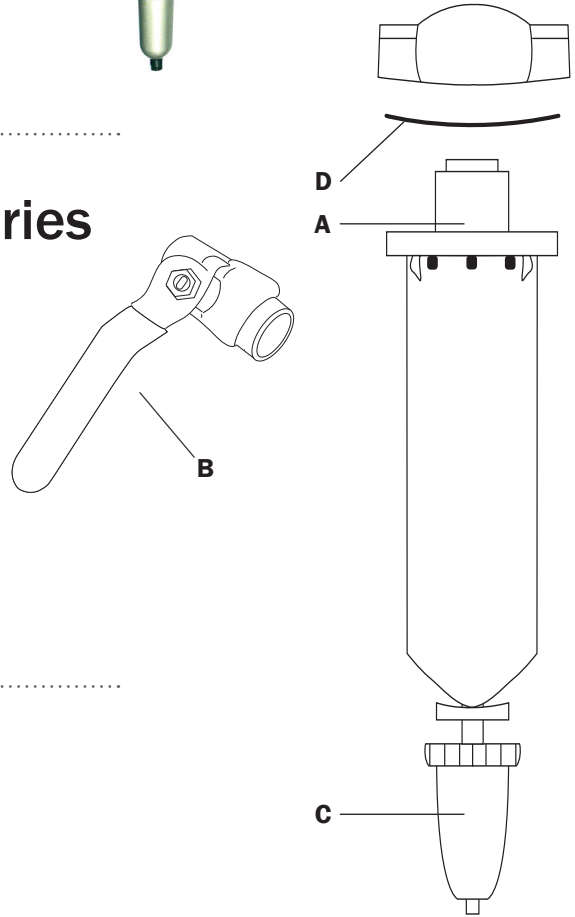
Water  
Dirt  
Oil  
Oil Vapor  
Odor



For higher pressure applications, consult factory. Units equipped with differential pressure indicator have max. temperature and pressure of 125 ° F and 150 PSIG, regardless of bowl material.

# Replacement Parts & Accessories

Description	Part Number
<b>A</b> Replacement Element	3C-300/3C-400/3C-700
<b>B</b> Manual Drain, Ball Valve	BV-051
<b>C</b> External Automatic Float Drain	N32-95-XD8
<b>D</b> Bowl O-ring	N32-F35-OR



# Order Guide

	Port Size	Model Number		
		Low Flow	Med Flow	High Flow
Manual Drain	1¼"	3C-300-M10-P	3C-400-M10-P	3C-700-M10-P
	1½"	3C-300-M12-P	3C-400-M12-P	3C-700-M12-P
	2"	3C-300-M16-P	3C-400-M16-P	3C-700-M16-P
External Automatic Drain	1¼"	3C-300-M10-F	3C-400-M10-F	3C-700-M10-F
	1½"	3C-300-M12-F	3C-400-M12-F	3C-700-M12-F
	2"	3C-300-M16-F	3C-400-M16-F	3C-700-M16-F

Dimensions (in.)		
Height*	Width	Depth
28.0	7.8	7.8
28.0	7.8	7.8
28.0	7.8	7.8
32.0	7.8	7.8
32.0	7.8	7.8
32.0	7.8	7.8

\*To add an indicator, add "i" to end of model number (Indicator adds about 1" to height)



# Specifications

<b>Port Sizes</b>	3"
<b>Connection</b>	NPT, BSPT, BSPP
<b>Flow Capacity</b>	1200 SCFM @ 100 PSI
<b>Filter Capacity</b>	0.01 micron & larger
<b>Differential Pressure</b>	< 1.5 PSID at rated flow
<b>Max. Temp./Pressure (Manual Drain)</b>	175 °F/200 PSIG
<b>Max. Temp./Pressure (Auto Float Drain)</b>	125 °F/150 PSIG
<b>Approx. Weight (lb.)</b>	38.0
<b>ISO Class</b>	1 Particulate/Oil

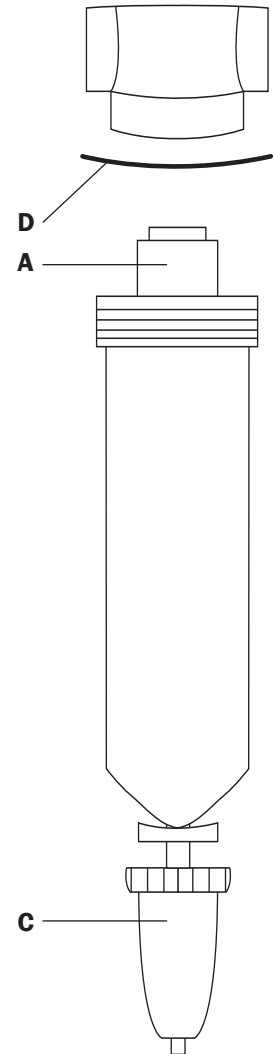
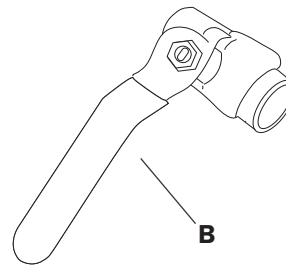
For higher pressure units, consult factory.



Water  
Dirt  
Oil  
Oil Vapor  
Odor

# Replacement Parts & Accessories

Description	Part Number
<b>A</b> Replacement Element	3C-1200
<b>B</b> Manual Brass Petcock Drain, Ball Valve	BV-051
<b>C</b> External Automatic Float Drain	N32-95-XD8
<b>D</b> Bowl O-ring	PHC-032



# Order Guide

	Port Size	Model Number	Dimensions (in.)		
			Height	Width	Depth
Manual Drain	3"	3C-1200-M24-P	40.0	8.0	7.3
External Auto Drain	3"	3C-1200-M24-F	44.0	8.0	7.3

# Specifications

<b>Port Sizes</b>	3", 4", 6" RFSO
<b>Connection</b>	Raised face 150# Flange
<b>Flow Capacity</b>	1900/3000 SCFM @ 100 PSI
<b>Filter Capacity</b>	0.01 micron & larger
<b>Differential Pressure</b>	< 1.5 PSID at rated flow
<b>Max. Temp./Pressure</b> (Epoxy Coated Carbon Steel)	150 °F/200 PSIG
<b>Approx. Weight (lb.)</b>	280.0/290.0/420.0
<b>ISO Class</b>	1 Particulate/Oil

For higher pressure applications, consult factory. Units equipped with external auto drain have max. temperature and pressure of 150 °F and 150 PSIG.

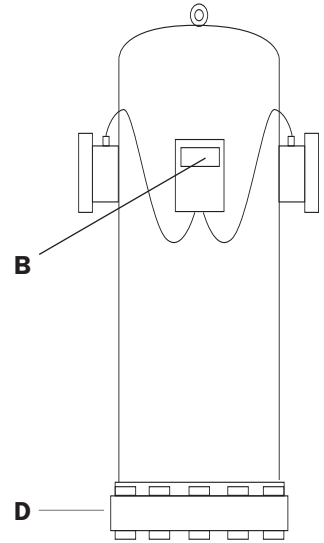


*Water*  
**Dirt**  
**Oil**  
*Oil Vapor*  
*Odor*

# Replacement Parts & Accessories

Description	Part Number
<b>A</b> Replacement Element	3C-1900/3C-3000
<b>B</b> Differential Pressure Indicator	N32-P2-DPi
<b>C</b> Manual Brass Petcock Drain, Ball Valve	BV-051
<b>D</b> External Automatic Float Drain	N32-95-XD8

Note:  
All 3C-1900 units require a minimum of 25" clearance between bottom of housing and floor for installation.  
All 3C-3000 units require a minimum of 36" clearance between bottom of housing and floor for installation.



# Order Guide

	Port Size	Model Number	Dimensions (in.)		
			Height	Width	Depth
<b>Manual Drain</b>	3"	3C-1900-MFD-P	50.2	20.0	16.0
	4"	3C-1900-MFE-P	50.2	20.0	16.0
	6"	3C-3000-MFF-P	50.2	23.4	19.0

<b>External Automatic Drain</b>	3"	3C-1900-MFD-X	50.2	20.0	16.0
	4"	3C-1900-MFE-X	50.2	20.0	16.0
	6"	3C-3000-MFF-X	50.2	23.4	19.0

Indicator included as standard with these metal bowl units.

