

New Product Announcement | REELSAFE™ Series RS7000

Heavy Duty Spring Retractable REELSAFE™ Hose Reels

The new REELSAFE™ Series RS7000 is an expansion of the rugged design that set the industry standard. With safety at the forefront, REELSAFE™ pays out like a traditional reel, though is specifically engineered to retract the hose at an average walking speed. The centrifugal clutch, integral to the reel base, greatly **decelerates the hose retraction speed by up to 83%** vs. a Series 7000 reel.

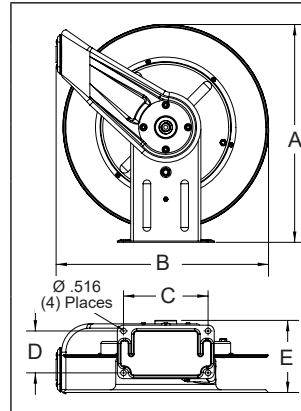
- Retracts at 2 miles per hour – designed to match the average human walking speed of 2 to 3 miles per hour
- Integral clutch creates a consistent retraction speed regardless of fluid or environmental temperatures
- Safely protects personnel and equipment
- Requires no field adjustment
- Thru-shaft fluid path eliminates hose interference during reel rotation and increases swivel life
- 7 position hose guide arm for multiple mounting configurations
- Reel dimensions and mounting pattern identical to the Series 7000



NEW!
Controlled
Return Hose Reel



	Dimensions			
	1		2	
	in	mm	in	mm
A	20 ¹ / ₄	514	20 ¹ / ₄	514
B	19 ³ / ₄	502	19 ³ / ₄	502
C	7 ¹³ / ₁₆	198	7 ¹³ / ₁₆	198
D	3 ⁷ / ₈	98	3 ⁷ / ₈	98
E	7	178	7 ³ / ₈	187



Hose Reels

Model with hose	Shipping Weight		Hose I.D.		Hose O.D.		Hose Length		Max Pressure		NPT(M) Hose Outlet	NPT(F) Reel Inlet	Model without hose or bumper	Shipping Weight		Max Pressure		Size Index #
	lbs	kg	in	mm	in	mm	ft	m	psi	bar	in	in		lbs	kg	psi	bar	
Low Pressure Air / Water Hose Reels Maximum temperature 150 °F (65 °C)																		
RS7650 OLP	46	21	3/8	10	.600	15	50	15	300	21	1/4	1/2	RS7600 OLP	43	20	500	35	1
RS7670 OLP	50	23	3/8	10	.600	15	70	22	300	21	1/4	1/2	RS7607 OLP	43	20	500	35	1
RS7850 OLP	50	23	1/2	13	.750	19	50	15	300	21	3/8	1/2	RS7800 OLP	44	20	500	35	1
RS7925 OLP	50	23	3/4	19	1.075	27	25	8	250	17	3/4	3/4	RS7900 OLP	47	21	500	35	1
Medium Pressure Oil Hose Reels Maximum temperature 210 °F (99 °C)																		
RS7650 OMP	58	26	3/8	10	.690	18	50	15	2600	179	3/8	1/2	RS7600 OMP	46	21	3000	207	1
RS7850 OMP	60	27	1/2	13	.820	21	50	15	3000	207	1/2	1/2	RS7800 OMP	46	21	3000	207	1
High Pressure Grease Hose Reels Maximum temperature 210 °F (99 °C)																		
RS7450 OHP	58	26	1/4	6	.580	15	50	15	5000	345	1/4	1/2	RS7400 OHP	46	21	5000	345	1
RS7650 OHP	63	29	3/8	10	.730	19	50	15	4800	331	1/4	1/2	RS7600 OHP	49	27	5000	345	1

Low pressure reels furnished standard with PVC hose. Medium pressure reels furnished standard with S.A.E. 100R1-AT (3/8") or S.A.E. 100R17 (1/2") one wire braid hose. High pressure reels furnished standard with S.A.E. 100 R2T two wire braid hose. Consult Reelcraft for hydraulic or other applications.

Welding Reels

Model with hose	Shipping Weight		Hose I.D.		Hose O.D.		Hose Length		Max Pressure		Hose Outlet	NPT(F) Reel Inlet	Model without hose or bumper	Shipping Weight		Size Index #
	lbs	kg	in	mm	in	mm	ft	m	psi	bar	in	in		lbs	kg	
Oxygen / Acetylene (only) Hose Reels Maximum temperature 150 °F (65 °C)																
RSTW7450 OLP	53	24	1/4	6	.530	13	50	15	200	14	9/16 - 18(F)	1/4	RSTW7400 OLP	45	20	2
Welding Gas - Oxygen / Acetylene, Mapp, Propane, Natural, and Fuel Gas (T-Grade) Hose Reels Maximum temperature 210 °F (99 °C)																
RSTW7450 OLPT	53	24	1/4	6	.530	13	50	15	200	14	9/16 - 18(F)	1/4	RSTW7400 OLPT	45	20	2

Acetylene and fuel gas (red) inlet 1/4" FPT / oxygen (green) inlet 1/4" FPT. 9/16-18 models above are B size. Acetylene/fuel gas side has a LH thread and the oxygen side has a RH thread.

Customer Service: 1.855.634.9109
All Other Calls: 1.800.444.3134

www.reelcraft.com
reelcraft@reelcraft.com

