

# Back Pressure and Relief Valves



Where Innovation Flows

# Back Pressure Valves

Back Pressure Valves maintain a set pressure at the pump outlet port (discharge) to assure accurate metering and are also used to prevent siphoning. A major benefit is assuring proper metering check valve performance when the system pressure is lower than the injecting fluid pressure.

The Back Pressure Valve is a required accessory when pumping to a lowpressure injection point below the tank level or when pumping from a bulk tank with a high head pressure.

Relief Valves protect the piping and system from overpressure. Discharge is piped to an external tank.

## FEATURES AND BENEFITS

### BACK PRESSURE VALVES

- Assures accurate metering to prevent siphoning
- Broad range of valve body materials
- Long-life PTFE diaphragm
- Field adjustable to a maximum pressure of 50 psi (3.4 bar)
- Low maintenance

### RELIEF VALVES

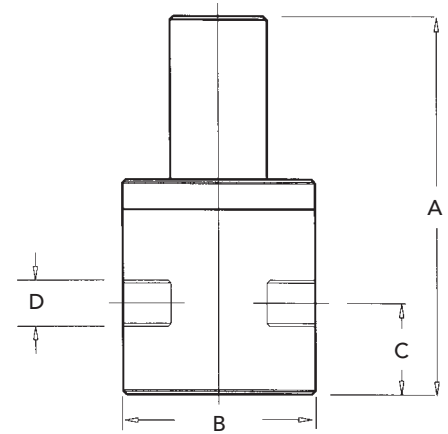
- Field adjustable to a maximum pressure of 150 psi (10.3 bar)
- Multiple port designs depending on size
  - Two-port design on 1/2" models
  - Three-port (right angle) on 3/4" and 1" models eliminates the need for a separate "T" fitting in piping



## Specifications

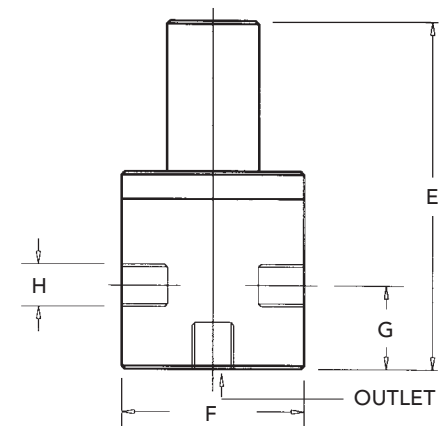
### BACK PRESSURE VALVES

MODEL	SIZE IN. (MM)	SET PRESS PSI (BAR)	MAX. FLOW AT 50 PSI		MATERIALS OF CON-STRUC.	DIA-PHRAGM	DIMENSIONS IN. (MM)			
			GPH	L/H			A	B	C	D FNPT
BP-SS-050	1/2 (12.7)	50 (3.4)	100	378.5	316SS	TFE	4 (101.6)	2 (50.8)	1 (25.4)	1/2
BP-SS-75	3/4 (19.1)		150	567.8			5 (127)	3 (76.2)	1 (25.4)	3/4
BP-SS-100	1 (25.4)		250	946.4			5 (127)	3 (76.2)	1 (25.4)	1
BP-SS-150	1-1/2 (38.1)		800	3,028.3			9 (228.6)	4 (101.6)	2 (50.8)	1-1/2
BP-KY	1-1/2 (38.1)	50 (3.4)	100	378.5	PVDF	TFE	4 (101.6)	2 (50.8)	1 (25.4)	1/2
BP-KY-75	3/4 (19.1)		150	567.8			5 (127)	3 (76.2)	1 (25.4)	3/4
BP-KY-100	1 (25.4)		250	946.4			5 (127)	3 (76.2)	1 (25.4)	1
BP-KY-150	1-1/2 (38.1)		800	3,028.3			9 (228.6)	4 (101.6)	2 (50.8)	1-1/2
BP-C20	1/2 (12.7)	50 (3.4)	100	378.5	C-20	TFE	4 (101.6)	2 (50.8)	1 (25.4)	1/2
BP-C20-75	3/4 (19.1)		150	567.8			5 (127)	3 (76.2)	1 (25.4)	3/4
BP-C20-100	1 (25.4)		250	946.4			5 (127)	3 (76.2)	1 (25.4)	1
BP-PVC	1/2 (12.7)	50 (3.4)	100	378.5	PVC	TFE	4 (101.6)	2 (50.8)	1 (25.4)	1/2
BP-PVC-75	3/4 (19.1)		150	567.8			5 (127)	3 (76.2)	1 (25.4)	3/4
BP-PVC-100	1 (25.4)		250	946.4			5 (127)	3 (76.2)	1 (25.4)	1
BP-PVC-150	1-1/2 (38.1)		800	3,028.3			9 (228.6)	4 (101.6)	2 (50.8)	1-1/2



### RELIEF VALVES

MODEL	SIZE IN. (MM)	SET PRESS PSI (BAR)	MAX. FLOW AT 50 PSI		MATERIALS OF CON-STRUC.	DIA-PHRAGM	DIMENSIONS IN. (MM)			
			GPH	L/H			E	F	G	H FNPT
RV-316SS	1/2 (12.7)	150 (10.3)	N/A		316SS	TFE	-- See RV on next page --			
RV-316SS-75	3/4 (19.1)		150	567.8			5 (127)	3 (76.2)	1 (25.4)	3/4
RV-316SS-100	1 (25.4)		250	946.4			5 (127)	3 (76.2)	1 (25.4)	1
RV-316SS-150	1-1/2 (38.1)		800	3,028.3			9 (228.6)	4 (101.6)	2 (50.8)	1-1/2
RV-KY	1-1/2 (38.1)	150 (10.3)	N/A		PVDF	TFE	4 (101.6)	2 (50.8)	1 (25.4)	1/2
RV-KY-75	3/4 (19.1)		150	567.8			5 (127)	3 (76.2)	1 (25.4)	3/4
RV-KY-100	1 (25.4)		250	946.4			5 (127)	3 (76.2)	1 (25.4)	1
RV-KY-150	1-1/2 (38.1)		800	3,028.3			9 (228.6)	4 (101.6)	2 (50.8)	1-1/2
RV-C20	1/2 (12.7)	150 (10.3)	N/A		C-20	TFE	-- See RV on next page --			
RV-C20-75	3/4 (19.1)		150	567.8			5 (127)	3 (76.2)	1 (25.4)	3/4
RV-C20-100	1 (25.4)		250	946.4			5 (127)	3 (76.2)	1 (25.4)	1
BP-PVC-050	1/2 (12.7)	150 (10.3)	N/A		PVC	TFE	4 (101.6)	2 (50.8)	1 (25.4)	1/2*
RV-PVC-75	3/4 (19.1)		150	567.8			5 (127)	3 (76.2)	1 (25.4)	3/4
RV-PVC-100	1 (25.4)		250	946.4			5 (127)	3 (76.2)	1 (25.4)	1
RV-PVC-150	1-1/2 (38.1)		800	3,028.3			9 (228.6)	4 (101.6)	2 (50.8)	1-1/2



\*Only one inlet provided on 1/2" PVC and PVDF relief valves.

# Relief Valves

Neptune Relief Valves have two outstanding characteristics:

**Economy.** Models RV-316-1, -2, -3 and -4 with all 316SS wetted parts cost no more than other 304SS designs. C-20 valves are also available as standard.

**Simplicity.** Neptune exclusive design uses a self-cleaning ball check and seat. It has a unique spring guide which assures proper spring loading and consistent relief capacity. The relief pressure setting can be easily changed by removing the top cap screw and locking set screw, inserting a proper Allen wrench into the opening, and adjusting the spring to the desired pressure.

Recommended setting: Operating pressure plus 10% or 50 psi whichever is greater.

## FEATURES AND BENEFITS

- All wetted parts are 316SS or C-20
- Pressures from 30 to 2000 psi
- Spring guide for consistent relief capacity
- Easily adjustable relief setting
- Liquid service only



## Specifications

INLET/OUTLET PIPE SIZE: 1/2" NPT

MODEL	PRESSURE (PSI)	CAPACITY (GPM)	MATERIAL OF CONSTRUCTION	MODEL	PRESSURE RANGE (PSI)
RV-316-1	100	3.0	316SS	RV-316-1	30 to 100
RV-C20-1				RV-316-2	101 to 400
RV-316-2	400	4.0		RV-316-3	401 to 1000
RV-C20-2				RV-316-4	1001 to 2000
RV-316-3	1000	4.0	C-20	RV-C20-1	30 to 100
RV-316-4	2000	6.0		RV-C20-2	101 to 400

## QUOTATION AND ORDERING INFORMATION

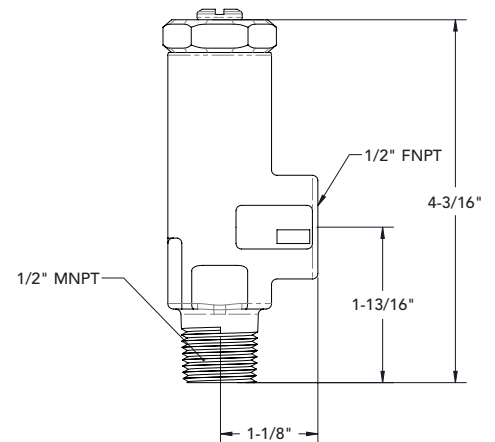
Please supply the following information:

1. Type of liquid to be handled.
2. Relief pressure range or set point required.

## REPAIR KITS

Each kit contains a replacement spring, diaphragm, threaded adjuster and support disk.

PART NUMBER	DESCRIPTION
RK001	Fits all 1/2" "BP" back pressure valves above, all materials
RK002	Fits all 3/4" and 1" "BP" back pressure valves and "RV" relief valves above, all materials
RK003	Fits all 1-1/2" "BP" back pressure valves and "RV" relief valves above, all materials





PSG  
22069 Van Buren Street  
Grand Terrace  
CA, 92313-5651  
USA  
P: +1 (909) 422-1730  
F: +1 (909) 783-3440  
[psgdover.com/neptune](http://psgdover.com/neptune)



Where Innovation Flows

BP-19  
NPT-10630-C-01

Authorized PSG® Partner:

Copyright 2019 PSG®, a Dover company