



# MARCH PUMPS

1819 PICKWICK AVE., GLENVIEW, IL 60026-1306, U.S.A  
 PHONE: (847) 729-5300 - FAX: (847) 729-7062  
 WWW.MARCHPUMP.COM

## DESCRIPTION:

Series 6 are centrifugal magnetic drive pumps, eliminating the need for a shaft seal. Pumps can be serviced with an adjustable wrench. See the parts list for a breakdown of parts.

**Model Abbreviations:** T: Ryton & Polypropylene, K: Kynar

## OPERATION:

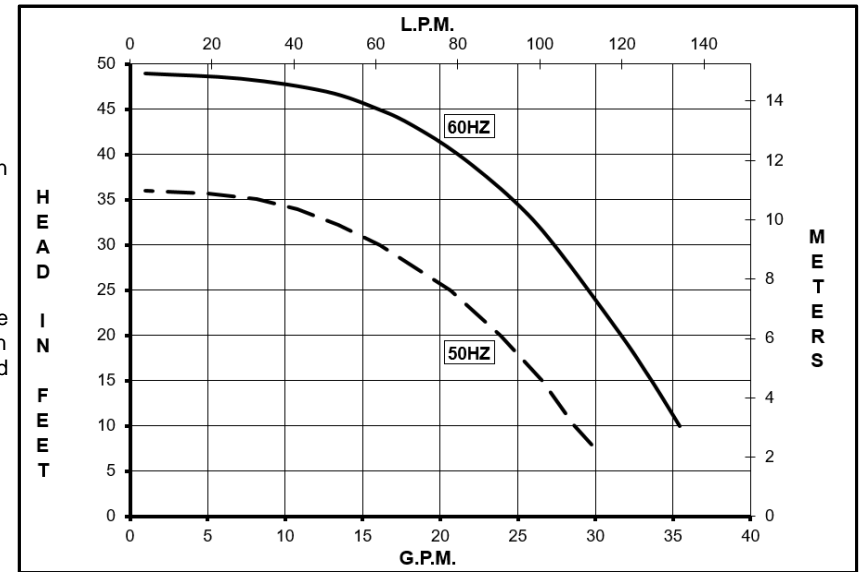
Pumps are not self-priming, lack a suction lift, and thus require a **flooded suction**. Pumps **cannot be run dry** because the impeller requires the liquid being pumped for lubrication. The direction of motor rotation should be clockwise when facing the inlet of the pump. For liquids with a specific gravity greater than water, have a higher viscosity, or for elevated temperatures, a trimmed impeller may be necessary. For application assistance, contact March Pump.

## ELECTRICAL:

DP-6-MD pumps are 115/230 Volt, 60 Hz, 1 phase, (Drip Proof Motor). Have a junction box.  
 TE-6-MD pumps are 115/230 Volt, 50/60 Hz, 1 phase or 230/460 Volt, 50/60 Hz, 3 phase, (Totally Enclosed Fan Cooled Motor). Have a Conduit Box.

Motors are U.L. listed as well as rated for continuous operation.

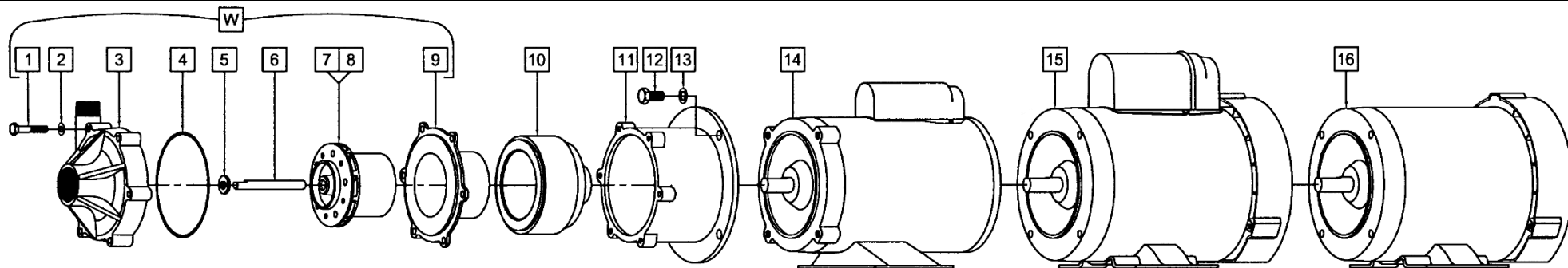
## DP-6T-MD, TE-6K-MD DP-6K-MD, TE-6T-MD



SPECIFICATIONS		DP-6T-MD											DP-6K-MD											TE-6T-MD											TE-6K-MD										
		Max Flow		Max Head		ELECTRICAL							Max Flow		Max Head		ELECTRICAL							Height		Width		Length		Packed Weight															
MODEL	Product #	gpm	lpm	ft	psi	m	Ph	V	A	Hp	kW	Rpm	gpm	lpm	ft	psi	m	Ph	V	A	Hp	kW	Rpm	Inches	cm	Inches	cm	Inches	cm	lbs	kg														
DP-6T-MD	1 Phase	0153-0002-0100											0153-0087-0100											0153-0002-0200											0153-0002-0400										
	3 Phase	0153-0002-0300											0153-0002-0500																																
Inlet - Outlet		1" FPT - 3/4" MPT											1" FPT - 3/4" MPT											1" FPT - 3/4" MPT											1" FPT - 3/4" MPT										
Max Internal Pressure		50 psi (344 kPa)											75 psi (517 kPa)											50 psi (344 kPa)											75 psi (517 kPa)										
Max Liquid Temperature		190 °F (87 °C)											200 °F (93 °C)											190 °F (87 °C)											200 °F (93 °C)										
DP-6T-MD	38	144	49	21.2	14.9	1	115		7.4		1/2	0.373	3450	30	113.5	36	15.6	11	1	115		8.4		3/8	0.280	2850	8.94	22.7	8.96	22.7	15.78	40.0	28.85	13.08											
							230		3.7											230		4.2																							
DP-6K-MD	38	144	49	21.2	14.9	1	115		7.4		1/2	0.373	3450	30	113.5	36	15.6	11	3	230		1.7		1/2	0.373	2850	7.34	18.6	8.96	22.7	15.28	38.8	28.20	12.79											
							230		3.7											460		0.8																							
TE-6T-MD	38	144	49	21.2	14.9	3	230		1.5		1/2	0.373	3450	30	113.5	36	15.6	11	3	230		1.7		1/2	0.373	2850	7.34	18.6	8.96	22.7	15.28	38.8	27.95	12.67											
							460		0.7											460		0.8																							
TE-6K-MD	38	144	49	21.2	14.9	1	115		7.4		1/2	0.373	3450	30	113.5	36	15.6	11	1	115		8.4		3/8	0.280	2850	8.94	22.7	8.96	22.7	15.78	40.0	28.60	12.97											
							230		3.7											230		4.2																							
TE-6K-MD	38	144	49	21.2	14.9	3	230		1.5		1/2	0.373	3450	30	113.5	36	15.6	11	3	230		1.7		1/2	0.373	2850	7.34	18.6	8.96	22.7	15.28	38.8	27.95	12.67											
							460		0.7											460		0.8																							

All specifications & data are based on pumping water & are intended as a guideline only. Specifications may vary with different motors.

## PARTS LIST



### DP-6T-MD & TE-6T-MD

### DP-6K-MD & TE-6K-MD

#	DESCRIPTION	MATERIAL	SIZE (Inches)	QTY.	PART #	#	DESCRIPTION	MATERIAL	SIZE (Inches)	QTY.	PART #		
1	Screw	Stainless	1/4-20 x 1-3/4 Lg.	6	0153-0064-1000	1	Screw	Stainless	1/4-20 x 1-3/4 Lg.	6	0153-0064-1000		
2	Washer	Stainless	1/4 ID x 1/2 OD	6	0155-0021-1000	2	Washer	Stainless	1/4 ID x 1/2 OD	6	0155-0021-1000		
3	Front Housing w/Inlet & Outlet	Ryton		1	0153-0002-1000	3	Front Housing w/Inlet & Outlet	Kynar		1	0153-0042-1000		
4	"O" Ring	Viton	3/32 CS x 4-7/16 OD	1	0153-0015-1000	4	"O" Ring	Viton	3/32 CS x 4-7/16 OD	1	0153-0015-1000		
5	Thrust Washer	Ceramic		1	0155-0009-1000	5	Thrust Washer	Ceramic		1	0155-0009-1000		
6	Shaft	Ceramic		1	0153-0007-1000	6	Shaft	Ceramic		1	0153-0007-1000		
7	Impeller w/Ryton/Teflon/Carbon Bushing	Polypropylene		1	0153-0003-0400	8	Impeller w/Carbon Bushing	Kynar		1	0153-0043-0500		
9	Rear Housing w/Ceramic Thrust Washer	Ryton		1	0153-0005-0100	9	Rear Housing w/Ceramic Thrust Washer	Kynar		1	0153-0041-0100		
10	Drive Magnet			1	0153-0035-0100	10	Drive Magnet			1	0153-0035-0100		
11	Motor Bracket	Plastic		1	0153-0001-0100	11	Motor Bracket	Plastic		1	0153-0001-0100		
12	Screw	Stainless	3/8-16 x 3/4 Lg.	4	0155-0017-1000	12	Screw	Stainless	3/8-16 x 3/4 Lg.	4	0155-0017-1000		
13	Washer	Stainless	3/8 ID x 5/8 OD	4	0155-0019-1000	13	Washer	Stainless	3/8 ID x 5/8 OD	4	0155-0019-1000		
W	Wet End Kit	#s 1, 2, 3, 4, 5, 6, 7, 9			1	0153-0056-0100	W	Wet End Kit	#s 1, 2, 3, 4, 5, 6, 8, 9			1	0153-0057-0100
<b>DP-6T-MD</b>						<b>DP-6K-MD</b>							
14	Motor, Drip Proof, 115/230 V, 60 Hz, 1 Phase			1	0153-0027-1000	14	Motor, Drip Proof, 115/230 V, 60 Hz, 1 Phase			1	0153-0027-1000		
<b>TE-6T-MD</b>						<b>TE-6K-MD</b>							
15	Motor, TEFC, 115/230 V, 50/60 Hz, 1 Phase			1	0153-0019-1000	15	Motor, TEFC, 115/230 V, 50/60 Hz, 1 Phase			1	0153-0019-1000		
16	Motor, TEFC, 230/460 V, 50/60 Hz, 3 Phase			1	0153-0020-1000	16	Motor, TEFC, 230/460 V, 50/60 Hz, 3 Phase			1	0153-0020-1000		
<b>OPTIONS</b>						<b>OPTIONS</b>							
4	"O" Ring (Option)	Viton/Teflon	3/32 CS x 4-7/16 OD	1	0153-0024-1000	4	"O" Ring (Option)	Viton/Teflon	3/32 CS x 4-7/16 OD	1	0153-0024-1000		
7	Impeller w/Carbon Bushing	Polypropylene		1	0153-0003-0500	8	Impeller w/Ryton/Teflon/Carbon Bushing	Kynar		1	0153-0043-0400		
	Impeller w/Mica Teflon Bushing	Polypropylene		1	0153-0003-0900		Impeller w/Mica Teflon Bushing	Kynar		1	0153-0043-0900		

#### Materials in Contact with Solution:

**DP-6T-MD & TE-6T-MD:** Polypropylene, Ryton, Viton, Ceramic, Ryton/Teflon/Carbon

**DP-6K-MD & TE-6K-MD:** Kynar/Carbon Filled, Viton, Ceramic, Carbon

**NOTE:** When replacing impeller bushings in the field, the plastic bushings must be bored to size after they have been pressed into the impeller. Bore to 0.379/0.381 inches I.D. The carbon and ceramic bushings are to finished size and do not require boring after assembly. When attaching the Drive Magnet to the motor shaft, position the face of the Drive Magnet 3/32 inch below the face of the Motor Bracket.

#### **LIMITED WARRANTY:**

March pumps are guaranteed only against defects in workmanship or materials for a period of one year from date of manufacture pumping water. For the complete warranty and to register online go to [www.marchpump.com/warranty-registration](http://www.marchpump.com/warranty-registration)

**NOTE:** Contact Factory for other materials and/or parts not listed.

Explosion proof and special voltage motors are available upon special order.

0153-0018-1000 R24