

## Series **DEF**

Hannay Reels family of Diesel Exhaust Fluid (DEF) hose reels are built to help meet diesel emissions regulations for the transportation industry. These reels feature a 304-grade stainless steel fluid path in various sizes to handle the corrosive urea-based solution safely and efficiently.

Manual or power rewind reels, available for longer lengths up to 2" ID hose, are listed below. Spring rewind retractable reels, available for shorter lengths up to 1" ID hose, are listed on the reverse side.

### To handle longer lengths of single 1/2" through 2" I.D. hose.

- Heavy-duty reels designed for longer lengths.
- Choose gear-driven crank rewind or chain and sprocket drive powered by an electric, hydraulic, or compressed air motor.
- Friction brake standard on all reels.
- Standard inlet: 90° 304 SST swivel with EPDM seals (available in 1/2" through 2" FNPT).
- Standard outlet: 304 SST fluid path (available in 1/2" through 2" FNPT).
- Operate at pressures to 1000 psi (69 bar).
- Temperatures from -40° F to +212° F (-40° C to +100° C).
- Optional 4-way rollers.
- Consult factory for other pressures, temperatures or optional chain guard.



**DEF-6000 Series** shown.  
Handles 1/2", 3/4" or 1" ID Hose

### ORDERING INFORMATION FOR LONGER LENGTH HOSE:

Contact Hannay Reels Inside Sales Department at: 877-467-3357 or email [reels@hannay.com](mailto:reels@hannay.com) for more information. Be sure to provide detailed specifications on hose type, ID/OD, length, rewind preference and any other important specifications when ordering.

# Series DEF

## To handle 1/2", 3/4" or 1" I.D. hose.

- Narrow frame and compact mounting base.
- Non-sparking ratchet assembly.
- Declutching arbor to prevent damage from reverse winding.
- Standard inlet: 90° 304 stainless steel swivel with EPDM seals (available in 1/2", 3/4" or 1" FNPT).
- Standard outlet: 304 stainless steel fluid path (available in 1/2", 3/4" or 1" FNPT).
- Standard pressures to 2000 psi (138 bar).
- Temperatures from -40°F to +212°F (-40°C to +100°C).
- 4-way roller assembly.
- Constant tension is available – consult factory.



Optional TR roller position shown

## PARTS DRAWING – ISO 246 (1/2" HOSE), ISO 247 (3/4" HOSE), ISO 248 (1" HOSE)

Model Number	Hose Capacity of Reel feet m				Approx. Weight lb. kg			Standard Roller Assy.	Reel Dimensions*** in. mm							
	I.D. in.	1/2	3/4	1	NET	UPS/ FedEx SHIP Wt.	Freight SHIP Wt.		A	B	C	E	F	G	H	X
	mm	13	19	25												
DEF-425		25	-	-	52	64	87	N204	10	4	8	17.62	13	16.25	9.12	8
		8	-	-	24	29	39		254	102	203	448	330	413	232	203
DEF-450		50	-	-	64	82*	99	N206	10	4	10.5	20.75	13	20	10.62	8
		15	-	-	29	37	45		254	102	267	527	330	508	270	203
DEF-475		75	-	-	90	-	125	N204	10	4	15.5	25.25	13	26	13.62	8
		23	-	-	41	-	57		254	102	394	641	330	660	346	203
DEF-625		-	25	-	64	82*	99	N206	10	4	10.5	20.75	13.16	20	10.62	8
		-	8	-	29	37	45		254	102	267	527	334	508	270	203
DEF-650		-	50	-	79	92*	114	N204	10	4	10.5	23.75	13.16	24	12.62	8
		-	15	-	36	42	52		254	102	267	603	334	610	321	203
DEF-675		-	75	-	96	-	131	N206	12	6	15.5	25.25	15.16	26	13.62	10
		-	23	-	44	-	59		305	152	394	641	385	660	346	254
DEF-825		-	-	25	87	-	122	N204	10	4	10.5	23.75	14.25	24	12.62	8
		-	-	8	39	-	55		254	102	267	603	362	610	321	203
DEF-855		-	-	50	102	-	137	N206	12	6	10.5	25.25	16.25	26	13.62	10
		-	-	15	46	-	62		305	152	267	641	413	660	346	254

### Notes:

**A hose stop is necessary to keep spring from unwinding.**

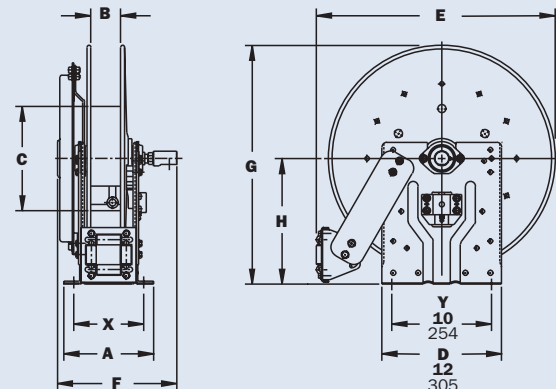
1. Specifications subject to change.
2. Reel models and capacities shown are for standard drag applications; for vertical lift applications, consult factory.
3. Other sizes, from standard components, available on request.

**4. Be sure to check dimensions and weights prior to ordering.**

**NOTICE:** A flexible connector must be used between the inlet pipe and the inlet swivel joint.

\*Dimensional weight may apply when shipped as a parcel package (via FedEx or UPS Ground).

\*\*\* X, Y indicate mounting holes.



### Available Roller Positions



SR (STD)



VR (OPT)



TR (OPT)



TR (Wallmount)