

Model NPE/NPE-F

INSTALLATION, OPERATION AND MAINTENANCE INSTRUCTIONS



TABLE OF CONTENTS

SUBJECT	PAGE
Safety Instructions.....	3
Important.....	3
Installation.....	3
Suction Piping.....	4
Discharge Piping.....	4
Motor-To-Pump Shaft Alignment.....	4
Rotation.....	5
Operation.....	5
Maintenance.....	5
Disassembly.....	5
Reassembly.....	6
Troubleshooting Chart.....	6
NPE Standard Repair Parts List.....	7
Mechanical Seal Application Chart.....	7
Limited Warranty.....	8
Declaration of Conformity.....	24

Owner's Information

Pump Model Number: _____

Pump Serial Number: _____

Dealer: _____

Dealer Phone No.: _____

Date of Purchase: _____

Date of Installation: _____

Current Readings at Startup:

1 Ø	3 Ø	L1-2	L2-3	L3-1
Amps: _____	Amps: _____	_____	_____	_____
Volts: _____	Volts: _____	_____	_____	_____

SAFETY INSTRUCTIONS

TO AVOID SERIOUS OR FATAL PERSONAL INJURY OR MAJOR PROPERTY DAMAGE, READ AND FOLLOW ALL SAFETY INSTRUCTIONS IN MANUAL AND ON PUMP.

THIS MANUAL IS INTENDED TO ASSIST IN THE INSTALLATION AND OPERATION OF THIS UNIT AND MUST BE KEPT WITH THE PUMP.



This is a SAFETY ALERT SYMBOL. When you see this symbol on the pump or in the manual, look for one of the following signal words and be alert to the potential for personal injury or property damage.



DANGER Warns of hazards that **WILL** cause serious personal injury, death or major property damage.



WARNING Warns of hazards that **CAN** cause serious personal injury, death or major property damage.



CAUTION Warns of hazards that **CAN** cause personal injury or property damage.

NOTICE: INDICATES SPECIAL INSTRUCTIONS WHICH ARE VERY IMPORTANT AND MUST BE FOLLOWED.

THOROUGHLY REVIEW ALL INSTRUCTIONS AND WARNINGS PRIOR TO PERFORMING ANY WORK ON THIS PUMP.

MAINTAIN ALL SAFETY DECALS.



Hazardous fluids can cause fire, burns or death.

UNIT NOT DESIGNED FOR USE WITH HAZARDOUS LIQUIDS OR FLAMMABLE GASES. THESE FLUIDS MAY BE PRESENT IN CONTAINMENT AREAS.

DESCRIPTION & SPECIFICATIONS:

The Models NPE (close-coupled) and NPE-F (frame-mounted) are end suction, single stage centrifugal pumps for general liquid transfer service, booster applications, etc. Liquid-end construction is all AISI Type 316 stainless steel, stamped and welded. Impellers are fully enclosed, non-trimable to intermediate diameters. Casings are fitted with a diffuser for efficiency and for negligible radial shaft loading.

Close-coupled units have NEMA 48J or 56J motors with C-face mounting and threaded shaft extension. Frame-mounted units can be coupled to motors through a spacer coupling, or belt driven.

1. IMPORTANT:

- 1.1. Inspect unit for damage. Report any damage to carrier/dealer immediately.
- 1.2. Electrical supply must be a separate branch circuit with fuses or circuit breakers, wire sizes, etc., per national and local electrical codes. Install an all-leg disconnect switch near pump.



Always disconnect electrical power when handling pump or controls.

- 1.3. Motors must be wired for proper voltage. Motor wiring diagram is on motor nameplate. Wire size must limit maximum voltage drop to 10% of nameplate voltage at motor terminals, or motor life and pump performance will be lowered.
- 1.4. Always use horsepower-rated switches, contactor and starters.
- 1.5. Motor Protection
 - 1.5.1. Single-phase: Thermal protection for single-phase units is sometimes built in (check nameplate). If no built-in protection is provided, use a contactor with a proper overload. Fusing is permissible.
 - 1.5.2. Three-phase: Provide three-leg protection with properly sized magnetic starter and thermal overloads.
- 1.6. Maximum Operating Limits:

Liquid Temperature:	250° F (120° C)
Pressure:	125 PSI
Starts Per Hour:	20, evenly distributed
- 1.7. Regular inspection and maintenance will increase service life. Base schedule on operating time. Refer to Section 8.

2. INSTALLATION:

2.1. General

- 2.1.1. Locate pump as near liquid source as possible (below level of liquid for automatic operation).
- 2.1.2. Protect from freezing or flooding.
- 2.1.3. Allow adequate space for servicing and ventilation.
- 2.1.4. All piping must be supported independently of the pump, and must “line-up” naturally.



Never draw piping into place by forcing the pump suction and discharge connections.

- 2.1.5. Avoid unnecessary fittings. Select sizes to keep friction losses to a minimum.

2.2. Close-Coupled Units

- 2.2.1. Units may be installed horizontally, inclined or vertically.



Do not install with motor below pump. Any leakage or condensation will affect the motor.

- 2.2.2. Foundation must be flat and substantial to eliminate strain when tightening bolts. Use rubber mounts to minimize noise and vibration.
- 2.2.3. Tighten motor hold-down bolts before connecting piping to pump.

2.3. Frame-Mounted Units

- 2.3.1. It is recommended that the bedplate be grouted to a foundation with solid footing. Refer to Figure 1.

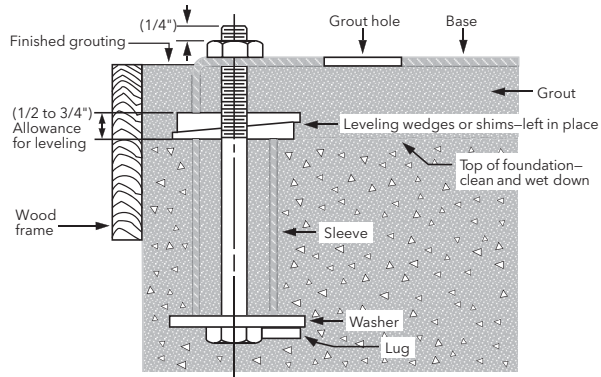


Figure 1

- 2.3.2. Place unit in position on wedges located at four points (two below approximate center of driver and two below approximate center of pump). Adjust wedges to level unit. Level or plumb suction and discharge flanges.
- 2.3.3. Make sure bedplate is not distorted and final coupling alignment can be made within the limits of movement of motor and by shimming, if necessary.
- 2.3.4. Tighten foundation bolts finger tight and build dam around foundation. Pour grout under bedplate making sure the areas under pump and motor feet are filled solid. Allow grout to harden 48 hours before fully tightening foundation bolts.
- 2.3.5. Tighten pump and motor hold-down bolts before connecting the piping to pump.

3. SUCTION PIPING:

- 3.1. Low static suction lift and short, direct, suction piping is desired. For suction lift over 10 feet and liquid temperatures over 120 F, consult pump performance curve for Net Positive Suction Head Required.
- 3.2. Suction pipe must be at least as large as the suction connection of the pump. Smaller size will degrade performance.
- 3.3. If larger pipe is required, an eccentric pipe reducer (with straight side up) must be installed at the pump.
- 3.4. Installation with pump below source of supply
 - 3.4.1. Install full flow isolation valve in piping for inspection and maintenance.

CAUTION Do not use suction isolation valve to throttle pump.

- 3.5. Installation with pump above source of supply
 - 3.5.1. Avoid air pockets. No part of piping should be higher than pump suction connection. Slope piping upward from liquid source.
 - 3.5.2. All joints must be airtight.
 - 3.5.3. Foot valve to be used only if necessary for priming, or to hold prime on intermittent service.
 - 3.5.4. Suction strainer open area must be at least triple the pipe area.

3.6. Size of inlet from liquid source, and minimum submergence over inlet, must be sufficient to prevent air entering pump through vortexing. See Figures 2-5.

3.7. Use 3-4 wraps of Teflon tape to seal threaded connections.

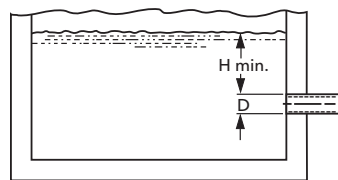


Figure 2

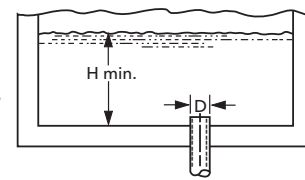


Figure 3

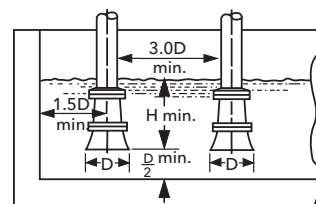


Figure 4

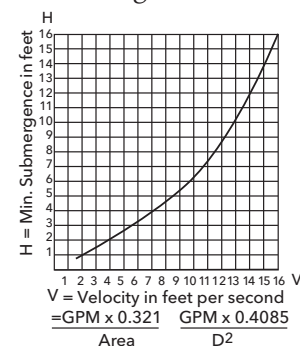


Figure 5

4. DISCHARGE PIPING:

- 4.1. Arrangement must include a check valve located between a gate valve and the pump. The gate valve is for regulation of capacity, or for inspection of the pump or check valve.
- 4.2. If an increaser is required, place between check valve and pump.
- 4.3. Use 3-4 wraps of Teflon tape to seal threaded connections.

5. MOTOR-TO-PUMP SHAFT ALIGNMENT:

- 5.1. Close-Coupled Units
 - 5.1.1. No field alignment necessary.
- 5.2. Frame-Mounted Units
 - 5.2.1. Even though the pump-motor unit may have a factory alignment, this could be disturbed in transit and must be checked prior to running. See Figure 6.

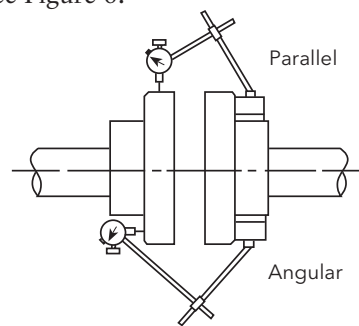


Figure 6

- 5.2.2. Tighten all hold-down bolts before checking the alignment.
- 5.2.3. If re-alignment is necessary, always move the motor. Shim as required.

- 5.2.4. Parallel misalignment - shafts with axis parallel but not concentric. Place dial indicator on one hub and rotate this hub 360 degrees while taking readings on the outside diameter of the other hub. Parallel alignment occurs when Total Indicator Reading is .005", or less.
- 5.2.5. Angular misalignment - shafts with axis concentric but not parallel. Place dial indicator on one hub and rotate this hub 360 degrees while taking readings on the face of the other hub. Angular alignment is achieved when Total Indicator Reading is .005", or less.
- 5.2.6. Final alignment is achieved when parallel and angular requirements are satisfied with motor hold-down bolts tight.

CAUTION Always recheck both alignments after making any adjustment.

6. ROTATION:

- 6.1. Correct rotation is right-hand (clockwise when viewed from the motor end). Switch power on and off quickly. Observe shaft rotation. To change rotation:
 - 6.1.1. Single-phase motor: Non-reversible.
 - 6.1.2. Three-phase motor: Interchange any two power supply leads.

7. OPERATION:

- 7.1. Before starting, pump must be primed (free of air and suction pipe full of liquid) and discharge valve partially open.

CAUTION Pumped liquid provides lubrication. If pump is run dry, rotating parts will seize and mechanical seal will be damaged. Do not operate at or near zero flow. Energy imparted to the liquid is converted into heat. Liquid may flash to vapor. Rotating parts require liquid to prevent scoring or seizing.

- 7.2. Make complete check after unit is run under operating conditions and temperature has stabilized. Check for expansion of piping. On frame-mounted units coupling alignment may have changed due to the temperature differential between pump and motor. Recheck alignment.

8. MAINTENANCE:

- 8.1. Close-Coupled Unit. Ball bearings are located in and are part of the motor. They are permanently lubricated. No greasing required.
- 8.2. Frame-Mounted Units
 - 8.2.1. Bearing frame should be regreased every 2,000 hours or 3 month interval, whichever occurs first. Use a #2 sodium or lithium based grease. Fill until grease comes out of relief fittings, or lip seals, then wipe off excess.
 - 8.2.2. Follow motor and coupling manufacturers' lubrication instructions.
 - 8.2.3. Alignment must be rechecked after any maintenance work involving any disturbance of the unit.

9. DISASSEMBLY:

Complete disassembly of the unit will be described. Proceed only as far as required to perform the maintenance work needed.

- 9.1. Turn off power.
- 9.2. Drain system. Flush if necessary.
- 9.3. Close-Coupled Units: Remove motor hold-down bolts.

Frame-Mounted Units: Remove coupling, spacer, coupling guard and frame hold-down bolts.
- 9.4. Disassembly of Liquid End
 - 9.4.1. Remove casing bolts (370).
 - 9.4.2. Remove back pull-out assembly from casing (100).
 - 9.4.3. Remove impeller locknut (304).

CAUTION Do not insert screwdriver between impeller vanes to prevent rotation of close-coupled units. Remove cap at opposite end of motor. A screwdriver slot or a pair of flats will be exposed. Using them will prevent impeller damage.

- 9.4.4. Remove impeller (101) by turning counter-clockwise when looking at the front of the pump. Protect hand with rag or glove.

CAUTION Failure to remove the impeller in a counter-clockwise direction may damage threading on the impeller, shaft or both.

- 9.4.5. With two pry bars 180 degrees apart and inserted between the seal housing (184) and the motor adapter (108), carefully separate the two parts. The mechanical seal rotary unit (383) should come off the shaft with the seal housing.
- 9.4.6. Push out the mechanical seal stationary seat from the motor side of the seal housing.
- 9.5. Disassembly of Bearing Frame
 - 9.5.1. Remove bearing cover (109).
 - 9.5.2. Remove shaft assembly from frame (228).
 - 9.5.3. Remove lip seals (138 and 139) from bearing frame and bearing cover if worn and are being replaced.
 - 9.5.5. Use bearing puller or arbor press to remove ball bearings (112 and 168).

10. REASSEMBLY:

- 10.1. All parts should be cleaned before assembly.
- 10.2. Refer to parts list to identify required replacement items. Specify pump index or catalog number when ordering parts.
- 10.3. Reassembly is the reverse of disassembly.
 - 10.3.1. Impeller and impeller locknut assembled onto motor shaft with 10 ft-lbs of torque.
- 10.4. Observe the following when reassembling the bearing frame.
 - 10.4.1. Replace lip seals if worn or damaged.
 - 10.4.2. Replace ball bearings if loose, rough or noisy when rotated.
 - 10.4.3. Check shaft for runout. Maximum permissible is .002" T.I.R.
- 10.5. Observe the following when reassembling the liquid-end.
 - 10.5.1. All mechanical seal components must be in good condition or leakage may result. Replacement of complete seal assembly, whenever seal has been removed, is good standard practice.

It is permissible to use a light lubricant, such as glycerin, to facilitate assembly. Do not contaminate the mechanical seal faces with lubricant.
 - 10.5.2. Inspect casing O-ring (513) and replace if damaged. This O-ring may be lubricated with petroleum jelly to ease assembly.
 - 10.5.3. Inspect guidevane O-ring (349) and replace if worn.

CAUTION Do not lubricate guidevane O-ring (349). Insure it is not pinched by the impeller on reassembly.

- 10.6. Check reassembled unit for binding. Correct as required.
- 10.7. Tighten casing bolts in a star pattern to prevent O-ring binding.

11. TROUBLE SHOOTING CHART:

MOTOR NOT RUNNING:

(See causes 1 thru 6)

LITTLE OR NO LIQUID DELIVERED:

(See causes 7 thru 17)

POWER CONSUMPTION TOO HIGH:

(See causes 4, 17, 18, 19, 22)

EXCESSIVE NOISE AND VIBRATION:

(See causes 4, 6, 9, 13, 15, 16, 18, 20, 21, 22)

PROBABLE CAUSE:

1. Tripped thermal protector
2. Open circuit breaker
3. Blown fuse
4. Rotating parts binding
5. Motor wired improperly
6. Defective motor
7. Not primed
8. Discharge plugged or valve closed
9. Incorrect rotation
10. Foot valve too small, suction not submerged, inlet screen plugged
11. Low voltage
12. Phase loss (3-phase only)
13. Air or gasses in liquid
14. System head too high
15. NPSHA too low:
Suction lift too high or suction losses excessive.
Check with vacuum gauge.
16. Impeller worn or plugged
17. Incorrect impeller diameter
18. Head too low causing excessive flow rate
19. Viscosity or specific gravity too high
20. Worn bearings
21. Pump or piping loose
22. Pump and motor misaligned

NPE STANDARD REPAIR PARTS LIST

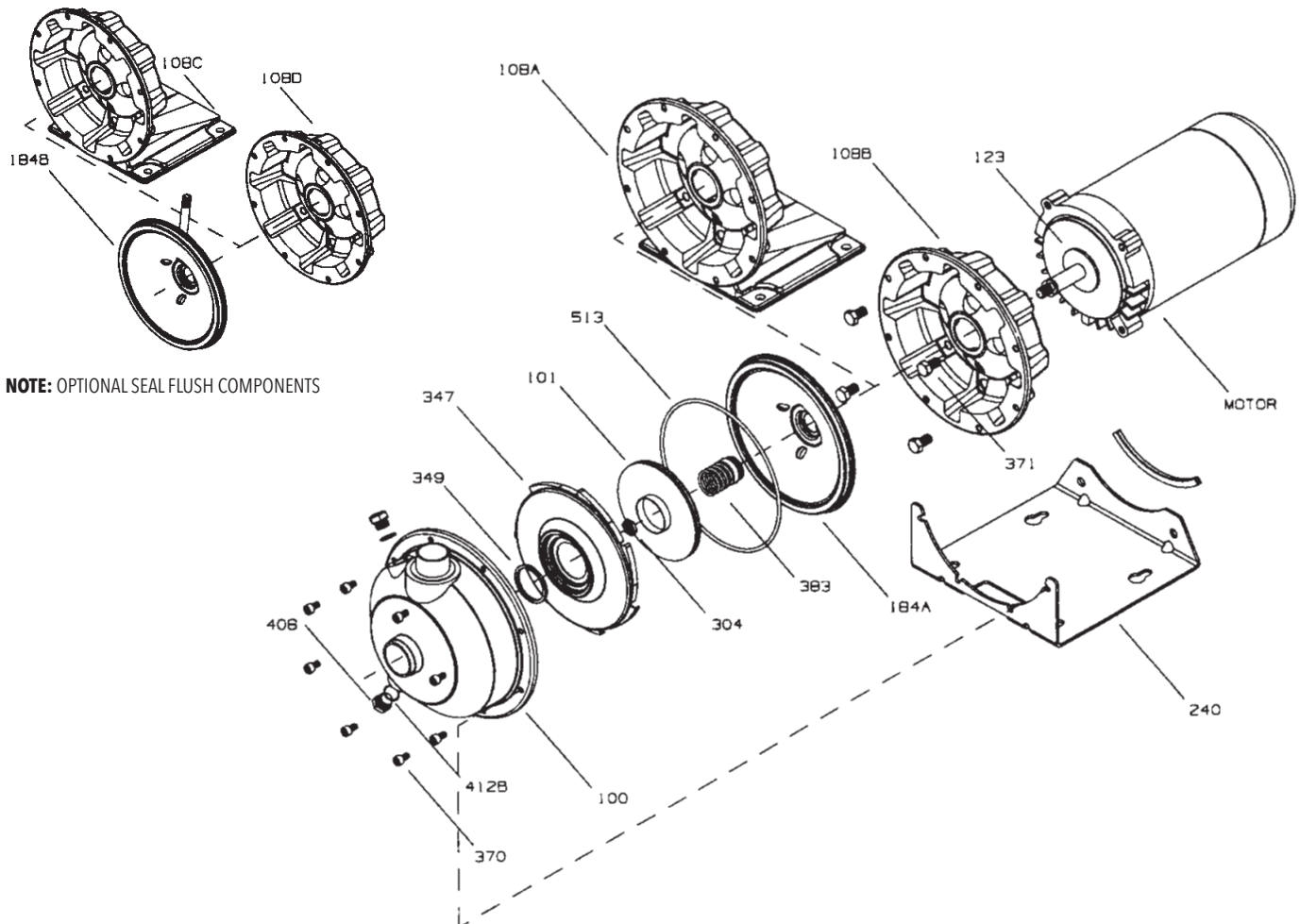
Item No.	Description	Materials of Construction
100	Casing	AISI 316L Stainless Steel
101	Impeller	
108A	Motor adapter with foot	
108B	Motor adapter less foot	
108C	Motor adapter with foot and flush	
108D	Motor adapter less foot with flush	
123	Deflector	BUNA-N
184A	Seal housing std.	AISI 316L S.S.
184B	Seal housing with seal flush	
240	Motor support	300 S.S.
	Rubber channel	Rubber
304	Impeller locknut	AISI 316 S.S.
347	Guidevane	AISI 316L S.S.
349	Seal-Ring, guidevane	Viton (standard)
		EPR
		BUNA
370	Socket head screw, casing	AISI 410 S.S.
371	Bolts, motor	Steel/plated
383	Mechanical seal	
408	Drain and vent plug, casing	AISI 316 S.S.
412B	O-Ring, drain plugs	Viton (standard)
		EPR
		BUNA
513	O-Ring, casing	Viton (standard)
		EPR
		BUNA

MECHANICAL SEAL APPLICATION CHART

Item 383 Mechanical Seal (3/8" seal)				
Rotary	Stationary	Elastomers	Metal Parts	Part No.
Carbon	Sil-Carbide	EPR	316SS	10K18
		Viton		10K55
EPR		10K81		
Viton		10K62		

NOTE: Close coupled units supplied with 1/2 HP 1750 RPM, 1/2 - 3 HP Explosion Proof or 5 HP motors, utilize motor adapter less foot and a footed motor.

NOTE: Frame mounted units (NPE-F) utilize the XS Power frame and motor adapter less foot. For repair parts for the power frame refer to the XS-Power frame repair parts page in the parts section of your catalog. To order the power frame complete order item 14L61.



COMMERCIAL WARRANTY

For goods sold to commercial buyers, Seller warrants the goods sold to Buyer hereunder (with the exception of membranes, seals, gaskets, elastomer materials, coatings and other "wear parts" or consumables all of which are not warranted except as otherwise provided in the quotation or sales form) will be (i) be built in accordance with the specifications referred to in the quotation or sales form, if such specifications are expressly made a part of this Agreement, and (ii) free from defects in material and workmanship for a period of one (1) year from the date of installation or twelve (12) months from the date of shipment (which date of shipment shall not be greater than eighteen (18) months after receipt of notice that the goods are ready to ship), whichever shall occur first, unless a longer period is specified in the product documentation (the "Warranty").

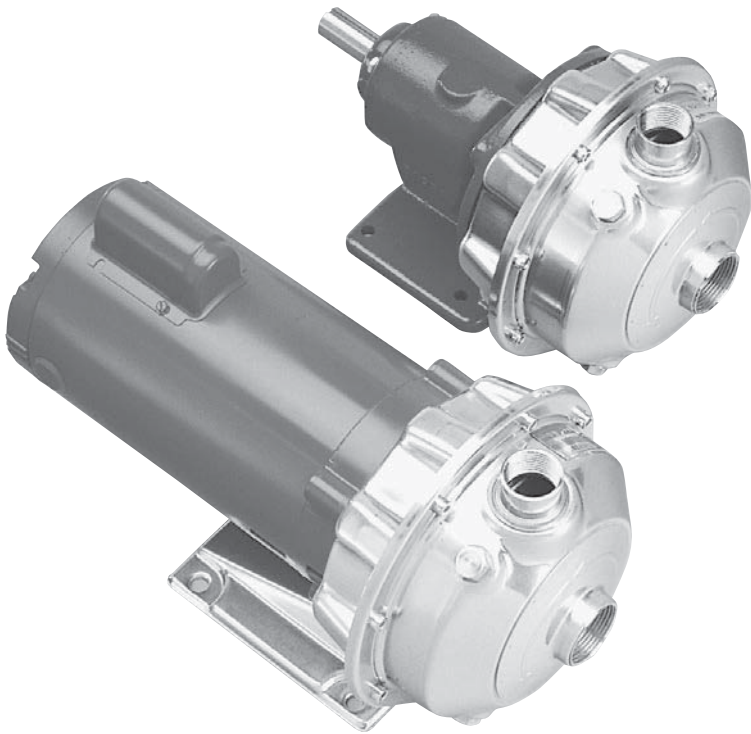
Except as otherwise required by law, Seller shall, at its option and at no cost to Buyer, either repair or replace any product which fails to conform with the Warranty provided Buyer gives written notice to Seller of any defects in material or workmanship within ten (10) days of the date when any defects or non-conformance are first manifest. Under either repair or replacement option, Seller shall not be obligated to remove or pay for the removal of the defective product or install or pay for the installation of the replaced or repaired product and Buyer shall be responsible for all other costs, including, but not limited to, service costs, shipping fees and expenses. Seller shall have sole discretion as to the method or means of repair or replacement. Buyer's failure to comply with Seller's repair or replacement directions shall terminate Seller's obligations under this Warranty and render the Warranty void. Any parts repaired or replaced under the Warranty are warranted only for the balance of the warranty period on the parts that were repaired or replaced. Seller shall have no warranty obligations to Buyer with respect to any product or parts of a product that have been: (a) repaired by third parties other than Seller or without Seller's written approval; (b) subject to misuse, misapplication, neglect, alteration, accident, or physical damage; (c) used in a manner contrary to Seller's instructions for installation, operation and maintenance; (d) damaged from ordinary wear and tear, corrosion, or chemical attack; (e) damaged due to abnormal conditions, vibration, failure to properly prime, or operation without flow; (f) damaged due to a defective power supply or improper electrical protection; or (g) damaged resulting from the use of accessory equipment not sold or approved by Seller. In any case of products not manufactured by Seller, there is no warranty from Seller; however, Seller will extend to Buyer any warranty received from Seller's supplier of such products.

THE FOREGOING WARRANTY IS EXCLUSIVE AND IN LIEU OF ANY AND ALL OTHER EXPRESS OR IMPLIED WARRANTIES, GUARANTEES, CONDITIONS OR TERMS OF WHATEVER NATURE RELATING TO THE GOODS PROVIDED HEREUNDER, INCLUDING WITHOUT LIMITATION ANY IMPLIED WARRANTIES OF MERCHANTABILITY AND FITNESS FOR A PARTICULAR PURPOSE, WHICH ARE HEREBY EXPRESSLY DISCLAIMED AND EXCLUDED. EXCEPT AS OTHERWISE REQUIRED BY LAW, BUYER'S EXCLUSIVE REMEDY AND SELLER'S AGGREGATE LIABILITY FOR BREACH OF ANY OF THE FOREGOING WARRANTIES ARE LIMITED TO REPAIRING OR REPLACING THE PRODUCT AND SHALL IN ALL CASES BE LIMITED TO THE AMOUNT PAID BY THE BUYER FOR THE DEFECTIVE PRODUCT. IN NO EVENT SHALL SELLER BE LIABLE FOR ANY OTHER FORM OF DAMAGES, WHETHER DIRECT, INDIRECT, LIQUIDATED, INCIDENTAL, CONSEQUENTIAL, PUNITIVE, EXEMPLARY OR SPECIAL DAMAGES, INCLUDING BUT NOT LIMITED TO LOSS OF PROFIT, LOSS OF ANTICIPATED SAVINGS OR REVENUE, LOSS OF INCOME, LOSS OF BUSINESS, LOSS OF PRODUCTION, LOSS OF OPPORTUNITY OR LOSS OF REPUTATION.



Xylem Inc.
2881 East Bayard Street Ext., Suite A
Seneca Falls, NY 13148
Phone: (800) 453-6777
Fax: (888) 322-5877
www.gouldswatertechnology.com

Goulds is a registered trademark of Goulds Pumps, Inc. and is used under license.
© 2015 Xylem Inc. IM013 Revision Number 10 September 2015



Modelo NPE/NPE-F

INSTRUCCIONES DE INSTALACIÓN, FUNCIONAMIENTO Y MANTENIMIENTO



ÍNDICE

TEMA

PÁGINA

Instrucciones de Seguridad	11
Importante	11
Instalación.....	11
Tubería de Succión	12
Tubería de Descarga	12
Alineación del Eje del Motor al de la Bomba	12
Rotación.....	13
Operación	13
Mantenimiento.....	13
Desmontaje	13
Reensamble	14
Cuadro de Identificación de Problemas.....	14
Lista de repuestos estándar NPE.....	15
Tabla de Aplicación del Sello Mecánico	15
Garantía Limitada	16
Declaración de Conformidad.....	24

Información para el propietario

Número de modelo de la bomba: _____

Número de serie de la bomba: _____

Representante: _____

Número telefónico del representante: _____

Fecha de compra: _____

Fecha de Instalación: _____

Lecturas actuales de la puesta en servicio:

1 Ø	3 Ø	L1-2	L2-3	L3-1
Amps: _____	Amps: _____	_____	_____	_____
Voltios: _____	Voltios: _____	_____	_____	_____

INSTRUCCIONES DE SEGURIDAD

PARA EVITAR LESIONES PERSONALES GRAVES O FATALES, Y DAÑOS SIGNIFICATIVOS A LA PROPIEDAD, LEA Y SIGA TODAS LAS INSTRUCCIONES DE SEGURIDAD QUE SE ENCUENTRAN EN ESTE MANUAL O EN LA BOMBA.

ESTE MANUAL TIENE LA FUNCIÓN DE ASISTIRLO EN LA INSTALACIÓN Y OPERACIÓN DE ESTA UNIDAD Y DEBE CONSERVARSE CON LA BOMBA.



Éste es un **SÍMBOLO DE ALERTA DE SEGURIDAD**. Cuando vea este símbolo sobre la bomba o en el manual, localice una de las siguientes palabras de señalización y esté alerta ante posibles lesiones personales o daños a la propiedad.

PELIGRO Advierte sobre los peligros que **PROVOCARÁN** lesiones graves, muerte o daños significativos a la propiedad.

ADVERTENCIA Advierte sobre los peligros que **PUEDEN PROVOCAR** lesiones graves, muerte o daños significativos a la propiedad.

PRECAUCIÓN Advierte sobre los peligros que **PROVOCARÁN** o **PUEDEN PROVOCAR** lesiones o daños a la propiedad.

AVISO: INDICA QUE EXISTEN INSTRUCCIONES ESPECIALES MUY IMPORTANTES QUE DEBEN RESPETARSE.

EXAMINE COMPLETAMENTE TODAS LAS INSTRUCCIONES Y ADVERTENCIAS ANTES DE REALIZAR CUALQUIER TRABAJO EN ESTA BOMBA. CONSERVE TODAS LAS CALCOMANÍAS.

ADVERTENCIA



Los fluidos peligrosos pueden causar incendios, quemaduras o la muerte.

ESTA UNIDAD NO SE ENCUENTRA DISEÑADA PARA SER USADA CON LÍQUIDOS O GASES INFLAMABLES. ESTOS FLUIDOS PUEDEN ESTAR PRESENTES EN ÁREAS CONTAMINADAS.

DESCRIPCIÓN Y ESPECIFICACIONES

Los modelos NPE (compacto) y NPE-F (montado en marco) son bombas centrífugas de una etapa, de succión axial para el servicio de transferencia de líquidos en general, aplicaciones de refuerzo de presión, etc. La construcción del extremo sumergido es toda de AISI (Instituto Norteamericano del Hierro y el Acero) de acero inoxidable Tipo 316, estampada y soldada. Los impulsores son totalmente cerrados, y no se pueden recortar a diámetros intermedios. Las carcasas están equipadas con un difusor para eficiencia y que las cargas radiales sean negligibles en el eje.

Las unidades compactas tienen motores NEMA 48J o 561, con montaje de cara C y extensión roscada del eje. Las unidades montadas en marco se pueden acoplar a los motores a través de un espaciador de acoplamiento, o ser accionadas por correa.

1. IMPORTANTE:

1.1. Inspeccione si la unidad tiene daños. Informe inmediatamente de cualquier daño al transportista o al agente.

1.2. La alimentación eléctrica debe ser un circuito separado con los fusibles o interruptores automáticos, tamaños de alambres, etc., de acuerdo con los Códigos Eléctricos nacional y local. Instale un interruptor de desconexión en todos los alambres cerca de la bomba.

PRECAUCIÓN Siempre desconecte la corriente eléctrica cuando maneje la bomba o los controles.

1.3. El cableado de los motores debe ser adecuado para la tensión. El diagrama del cableado del motor está en la placa del fabricante del motor. El tamaño de los alambres debe limitar la máxima caída de tensión al 10% de la tensión de la placa del fabricante en los terminales del motor, o la vida del motor y el rendimiento de la bomba se disminuirán.

1.4. Siempre use interruptores, contactores y arrancadores con clasificación de potencia nominal.

1.5. Protección del motor

1.5.1. Monofásico: La protección térmica en las unidades monofásicas a veces está incorporada (verifique la placa del fabricante). Si no se provee protección incorporada, use un contactor con la sobrecarga apropiada. Se permite usar fusible.

1.5.2. Trifásico: proporcione protección en los tres alambres con arrancador magnético de tamaño apropiado y sobrecargas térmicas.

1.6. Límites máximos de operación:

Temperatura del líquido: 250° F (120° C)

Presión: 125 lib/pulg².

Arranques por hora: 20, distribuidos uniformemente.

1.7. La inspección y el mantenimiento regular aumentarán la vida de servicio. Establezca el programa de acuerdo al tiempo de funcionamiento. Refiérase a la Sección 8.

2. INSTALACIÓN:

2.1. Generalidades

2.1.1. Coloque la bomba tan cerca de la fuente del líquido como sea posible (debajo del nivel del líquido para operación automática).

2.1.2. Proteja de la congelación o inundación.

2.1.3. Deje espacio libre adecuado para el servicio y la ventilación.

2.1.4. Toda la tubería debe estar soportada independientemente de la bomba, y debe "estar alineada" naturalmente.

PRECAUCIÓN Nunca estire la tubería en el lugar forzando las conexiones de la succión y descarga de la bomba.

2.1.5. Evite los accesorios innecesarios. Seleccione los tamaños para mantener las pérdidas de fricción al mínimo.

2.2. Unidades compactas

2.2.1. Estas unidades pueden instalarse horizontalmente, inclinadas o verticalmente.

PRECAUCIÓN No instale con el motor debajo de la bomba. Cualquier fuga o condensación afectará al motor.

2.2.2. La cimentación debe ser plana y substancial para eliminar las deformaciones cuando se aprietan los pernos. Use montajes de goma para minimizar el ruido y las vibraciones.

2.2.3. Apriete los pernos de sujeción del motor antes de conectar la tubería a la bomba.

2.3. Unidades montadas en marco

2.3.1. Se recomienda enlechar la plancha de asiento a un cimiento con zapata sólida. Vea la Figura 1.

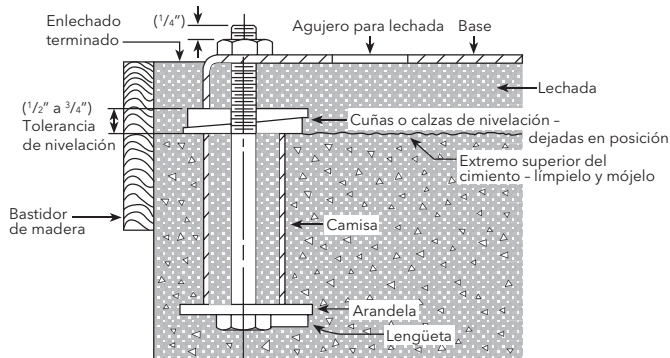


Figura 1

2.3.2. Coloque la unidad en posición sobre las cuñas ubicadas en cuatro puntos, (dos aproximadamente debajo del centro del motor y dos aproximadamente debajo del centro de la bomba). Ajuste las cuñas para nivelar la unidad. Nivele o ponga vertical las bridas de succión y de descarga.

2.3.3. Asegúrese de que la placa de base no esté distorsionada y se pueda hacer la alineación final del acoplamiento dentro de los límites del movimiento del motor y poniendo calzas, si fuera necesario.

2.3.4. Apriete con los dedos los pernos de la cimentación y construya la presa alrededor de la cimentación. Vierta la lechada debajo de la placa de base asegurándose de que las áreas debajo de la bomba y de la pata del motor estén bien rellenas. Deje que la lechada fragüe por 48 horas antes de apretar totalmente los pernos de la cimentación.

2.3.5. Apriete los pernos de sujeción de la bomba y del motor antes de conectar la tubería a la bomba.

3. TUBERÍA DE SUCCIÓN:

3.1. Es deseable tener una tubería de succión directa, corta y una altura de aspiración estática baja. Para alturas de succión superiores a 10 pies y temperaturas del líquido superiores a 120° F, consulte la curva de rendimiento de la bomba para ver la Altura de Succión Positiva Neta requerida.

3.2. La tubería de succión debe ser por lo menos tan grande como la conexión de succión a la bomba. Un tamaño más pequeño disminuirá el rendimiento.

3.3. Si se requiere una tubería más grande, se debe instalar una reducción excéntrica (con el lado recto hacia arriba), en la bomba.

3.4. Instalación con la bomba abajo de la fuente de alimentación

3.4.1. Instale en la tubería una válvula de aislamiento de todo el caudal para la inspección y mantenimiento.

PRECAUCIÓN No use la válvula de aislamiento de succión para estrangular la bomba.

3.5. Instalación con la bomba arriba de la fuente de alimentación

3.5.1. Evite las bolsas de aire. Ninguna de las partes de la tubería debe ser más alta que la conexión de succión de la bomba. Incline la tubería hacia arriba, partiendo de la fuente del líquido.

3.5.2. Todas las juntas deben ser estancas.

3.5.3. La válvula de pie debe usarse solamente si es necesario para el cebado o para mantener el cebado durante el servicio intermitente.

3.5.4. El área abierta del colador de succión debe ser por lo menos el triple del área de la tubería.

3.6. El tamaño de la entrada de la fuente del líquido, y la inmersión mínima sobre la succión, deben ser suficientes para impedir la entrada de aire a la bomba a través de vórtices. Vea las Figuras 2 a 5.

3.7. Use 3 a 4 vueltas de cinta de Teflon para sellar las conexiones roscadas.

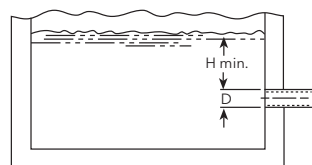


Figura 2

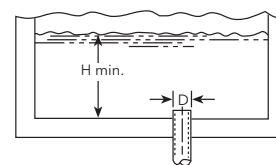


Figura 3

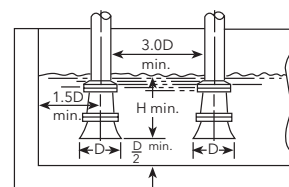


Figura 4

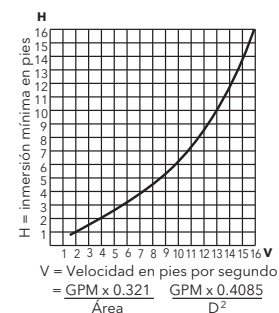


Figura 5

4. TUBERÍA DE DESCARGA:

4.1. La disposición debe incluir una válvula de retención ubicada entre una válvula de compuerta y la bomba. La válvula de compuerta es para la regulación de la capacidad o para la inspección de la bomba o de la válvula de retención.

4.2. Si se requiere un aumentador, instale entre la válvula de retención y la bomba.

4.3. Use 3 a 4 vueltas de cinta de Teflon para sellar las conexiones roscadas.

5. ALINEACIÓN DEL EJE DEL MOTOR AL DE LA BOMBA:

5.1. Unidades compactas

5.1.1. No se necesita alinear en el campo.

5.2. Unidades montadas en marco

5.2.1. Aunque la unidad del motor y bomba pueda tener una alineación de fábrica, ésta pudo haberse alterado en tránsito y debe verificarse antes de hacer funcionar. Vea la Figura 6.

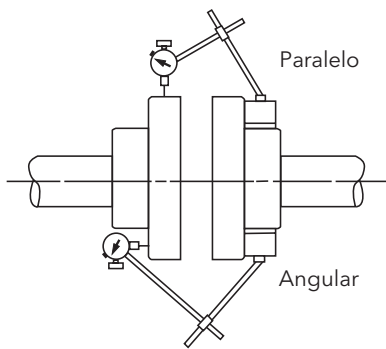


Figura 6

- 5.2.2. Apriete todos los pernos de sujeción antes de verificar la alineación.
- 5.2.3. Si es necesario realinear, siempre mueva el motor. Ponga calzas según se requiera.
- 5.2.4. Mala alineación paralela (ejes con ejes paralelos pero no concéntricos). Ponga el indicador de cuadrante en un cubo y gire este cubo 360° mientras hace lecturas en el diámetro exterior del otro cubo. La alineación paralela se obtiene cuando la lectura indicada total es de 0,005" (0,127 mm) o menos.
- 5.2.5. Mala alineación angular (ejes con ejes concéntricos pero no paralelos). Ponga el indicador de cuadrante en un cubo y gire este cubo 360° mientras hace lecturas en la cara del otro cubo. La alineación angular se obtiene cuando la lectura indicada total es de 0,005" (0,127 mm) o menos.
- 5.2.6. La alineación final se obtiene cuando se satisfacen los requerimientos de alineación paralela y angular, con los pernos de sujeción del motor apretados.

PRECAUCIÓN Siempre vuelva a verificar ambas alineaciones después de hacer cualquier ajuste.

6. ROTACIÓN:

- 6.1. La rotación correcta es a la derecha (en sentido dextrorso cuando se mira desde el extremo del motor). Encienda y apague la corriente rápidamente. Observe la rotación del eje. Para cambiar la rotación:
 - 6.1.1. Motores monofásicos: No reversibles.
 - 6.1.2. Motores trifásicos: Intercambie dos cualesquiera de los conductores de alimentación de potencia.

7. OPERACIÓN:

- 7.1. Antes de arrancar, se debe cebar la bomba (la tubería de succión llena de líquido y sin aire), y abrir parcialmente la válvula de descarga.

PRECAUCIÓN El líquido bombeado proporciona lubricación. Si se hace funcionar la bomba en seco, las partes que giran se agarrarán y se dañará el sello mecánico. No haga funcionar con caudal muy bajo o cerca de cero. La energía impartida al líquido se convierte en calor y el líquido puede convertirse en vapor. Las partes giratorias requieren líquido para impedir la formación de estrías o el agarramiento.

- 7.2. Haga una verificación completa después de que haya funcionado la unidad bajo condiciones de operación y se haya estabilizado la temperatura. Verifique la expansión de la tubería. En las unidades montadas en marco la alineación del acoplamiento pudo haber

cambiado debido a la diferencial de temperatura entre el motor y la bomba. Vuelva a verificar la alineación.

8. MANTENIMIENTO:

- 8.1. Unidad compacta. Los cojinetes de bolas están colocados adentro y son parte del motor. Están lubricados permanentemente y no requieren engrase.
- 8.2. Unidades montadas en marco
 - 8.2.1. El marco del cojinete se debe volver a engrasar cada 2.000 horas o a intervalos de 3 meses, el que ocurra primero. Use una grasa #2 con base de sodio o litio. Llène hasta que la grasa salga de las graseras o de los sellos de reborde, luego limpie el exceso.
 - 8.2.2. Siga las instrucciones de lubricación del fabricante del motor y del acoplamiento.
 - 8.2.3. La alineación se debe volver a verificar después de cualquier trabajo de mantenimiento que implique alguna alteración de la unidad.

9. DESMONTAJE:

Se describirá el desmontaje completo de la unidad. Prosiga solamente hasta donde se requiera para realizar el trabajo de mantenimiento necesario.

- 9.1. Apague la alimentación eléctrica.
- 9.2. Drene el sistema. Lave con chorro, si es necesario.
- 9.3. Unidades compactas: Quite los pernos de sujeción del motor.
- Unidades montadas en marco: Quite el acoplamiento, el espaciador, el resguardo del acoplamiento y los pernos de sujeción del marco.
- 9.4. Desmontaje del extremo sumergido
 - 9.4.1. Quite los pernos (370) de la carcasa.
 - 9.4.2. Quite el conjunto de desmontaje de la caja de rodamientos de la carcasa (100).
 - 9.4.3. Quite la tuerca de seguridad (304) del impulsor.

PRECAUCIÓN No inserte un destornillador entre los álabes del impulsor para impedir la rotación de las unidades compactas. Quite la tapa en el lado opuesto del motor. Se expondrá una ranura del destornillador o un par de filos normales al eje. Usándolos impedirá daños al impulsor.

- 9.4.4. Quite el impulsor (101) girando en sentido sinistrorso mirando al frente de la bomba. Protégase las manos con telas o guantes.

PRECAUCIÓN No quitar el impulsor en sentido sinistrorso puede dañar las roscas en el impulsor, el eje o en ambos.

- 9.4.5. Con dos barras de hacer palanca separadas en 180 grados e insertadas entre el alojamiento del sello (184) y el adaptador del motor (108), cuidadosamente separe las dos partes. La unidad giratoria del sello mecánico (383) debe salir del eje con el alojamiento del sello.
- 9.4.6. Empuje afuera el asiento estacionario del sello mecánico, del lado del motor del alojamiento del sello.
- 9.5. Desmontaje del marco del cojinete
 - 9.5.1. Quite la tapa (109) del cojinete.

- 9.5.2. Quite el conjunto del eje del marco (228).
- 9.5.3. Quite los sellos de reborde (138 y 139) del marco del cojinete y de la tapa del cojinete si están desgastados y se están cambiando.
- 9.5.5. Use un extractor de cojinetes o prensa de eje para quitar los cojinetes de bolas (112 y 168).

10. REENSAMBLE:

- 10.1. Todas las piezas deben limpiarse antes del montaje.
- 10.2. Consulte la lista de piezas para identificar las piezas necesarias para la reparación. Especifique la bomba o el número de catálogo cuando pida las piezas.
- 10.3. Reensamblar o volver a montar es lo contrario de desmontar.
 - 10.3.1. El impulsor y la contratuerca del impulsor se instalan en el eje del motor con una torsión de 10 pie-lbs.
- 10.4. Observe lo siguiente cuando vuelva a montar el marco del cojinete.
 - 10.4.1. Cambie los sellos de reborde si están desgastados o dañados.
 - 10.4.2. Cambie los cojinetes de bolas si están flojos, ásperos o ruidosos al girarlos.
 - 10.4.3. Verifique si el eje está descentrado. El máximo permisible es una lectura de indicador total de 0,002".
- 10.5. Observe lo siguiente cuando vuelva a montar el extremo sumergido:
 - 10.5.1. Todos los componentes del sello mecánico deben estar en buenas condiciones o pueden haber fugas. Es buena práctica estándar cambiar todo el conjunto del sello en cualquier momento en que se haya quitado el sello. Se permite usar un lubricante ligero, tal como glicerina, para facilitar el montaje. No contamine las caras del sello mecánico con lubricante.
 - 10.5.2. Inspeccione el anillo en O (513) de la carcasa y cámbielo si está dañado. Este anillo en O puede lubricarse con vaselina para facilitar el montaje.
 - 10.5.3. Inspeccione el anillo en O (349) del álabe director y cámbielo si está desgastado.

PRECAUCIÓN No lubrique el anillo en O (349) del álabe director. Asegúrese de que no esté pellizcado por el impulsor al volver a montar.

- 10.6. Verifique la unidad que volvió a montarse viendo si está agarrotada. Corrija según se requiera.
- 10.7. Apriete los pernos de la carcasa en un patrón de estrella para impedir que se trabe el anillo en O.

11. CUADRO DE IDENTIFICACIÓN DE PROBLEMAS

MOTOR NO FUNCIONA:

(Vea las causas 1 a 6)

ENTREGA POCO O NADA DE LÍQUIDO:

(Vea las causas 7 a 17)

CONSUMO MUY ALTO DE CORRIENTE:

(Vea las causas 4, 17, 18, 19, 22)

EXCESIVO RUIDO Y VIBRACIONES:

(Vea las causas 4, 6, 9, 13, 15, 16, 18, 20, 21, 22)

CAUSA PROBABLE:

1. Protector térmico del motor disparado
2. Interruptor automático abierto
3. Fusible quemado
4. Partes giratorias agarrotadas
5. Motor mal conectado
6. Motor defectuoso
7. Bomba no cebada
8. Taponada la descarga o cerrada la válvula
9. Rotación incorrecta
10. Válvula de pie demasiado pequeña, succión no sumergida, taponada la malla de entrada
11. Tensión baja
12. Pérdida de fase (trifásico solamente)
13. Aire o gases en el líquido
14. Demasiado alta la altura o carga del sistema
15. Demasiado baja la ASPN_D; (altura de succión positiva neta disponible);
Demasiado alta la altura de aspiración o excesivas las pérdidas. Verifique con un calibrador de vacío.
16. Impulsor desgastado o taponado
17. Incorrecto el diámetro del impulsor
18. Demasiado baja la altura de descarga causando caudal excesivo
19. Demasiado alta la viscosidad o gravedad específica
20. Cojinetes desgastados
21. Bomba o tubería flojas
22. Bomba y motor mal alineados

LISTA DE REPUESTOS ESTÁNDAR NPE

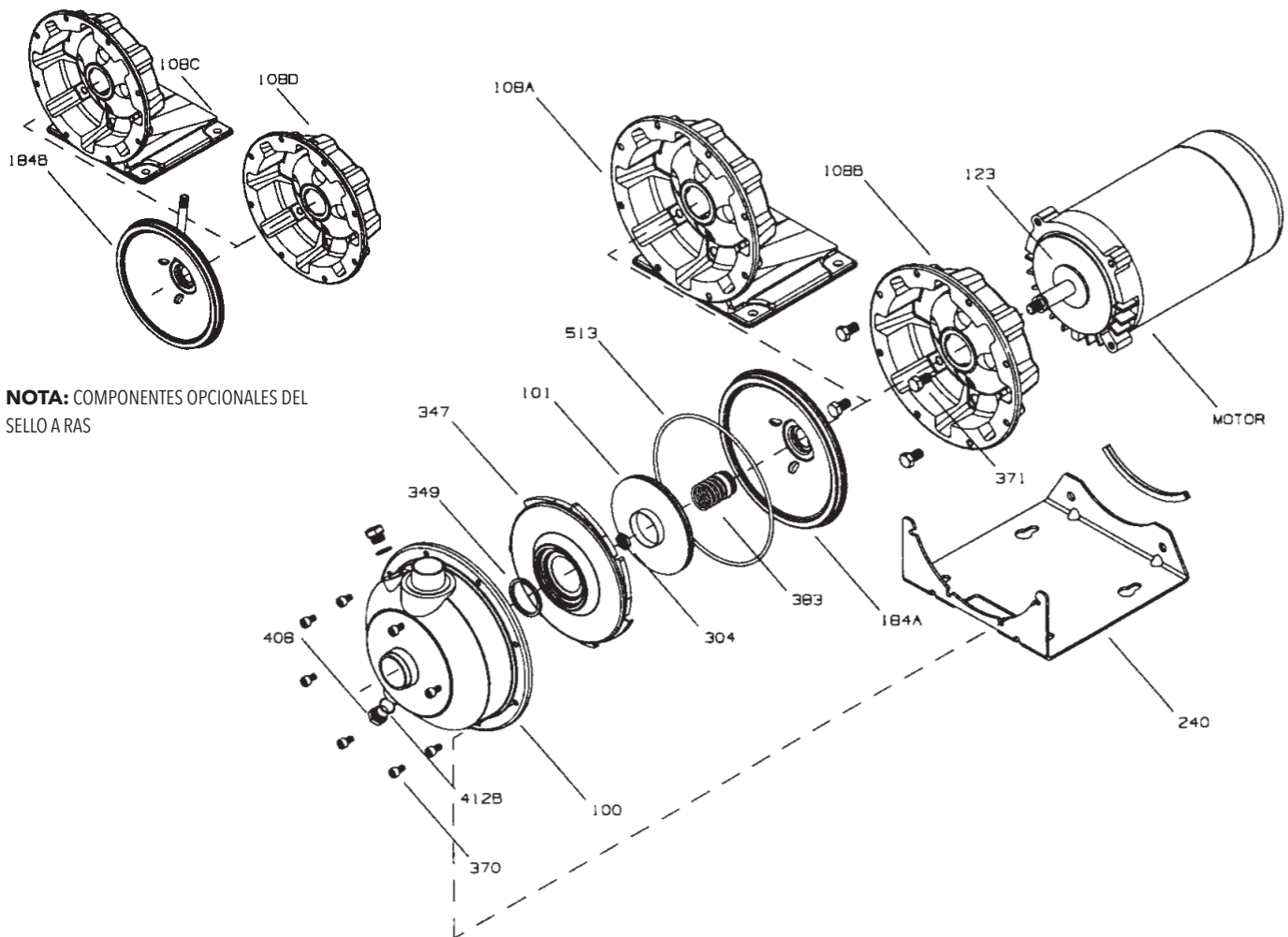
Pieza No.	Descripción	Materiales de Construcción
100	Carcasa	Acero inoxidable AISI 3161
101	Impulsor	
108A	Adaptador del motor con soporte	
108B	Adaptador del motor sin soporte	
108C	Adaptador del motor con soporte y a ras	
108D	Adaptador del motor sin soporte a ras	
123	Deflector	BUNA-N
184A	Caja del sello, estándar	AISI 316L S.S.
184B	Caja del sello con sello a ras	
240	Apoyo para el motor	300 S.S.
	Canal de caucho	Caucho
304	Contratuercas del impulsor	AISI 316 S.S.
347	Álabe de guía	AISI 316L S.S.
349	Anillo de sellado, álabe de guía	Viton (estándar)
		EPR
		BUNA
370	Tornillo de cabeza hueca, carcasa	AISI 410 S.S.
371	Pernos, del motor	Acero/enchapado
383	Sello mecánico	
408	Tapón de drenaje y venteo, carcasa	AISI 316 S.S.
412B	Anillo en O, tapón de drenaje	Viton (estándar)
		EPR
		BUNA
513	Anillo en O, carcasa	Viton (estándar)
		EPR
		BUNA

TABLA DE APLICACIÓN DEL SELLO MECÁNICO

Art. 383 Sellos mecánicos (sello de 5/8")				
Giratorio	Estacionario	Elastómeros	Partes Metálicas	Pieza No.
Carbono	Carbono de silicio	EPR	316SS	10K18
		Viton		10K55
EPR		10K81		
Viton		10K62		

NOTA: Las unidades de acoplamiento cerrado suministradas con motores de 1/2 HP de 1750 RPM, de 1/2 a 3 HP a prueba de explosión o de 5 HP utilizan un adaptador de motor sin el soporte y un motor con soporte.

NOTA: Las unidades montadas sobre bastidor (NPE-F) utilizan el bastidor XS Power y un adaptador de motor sin soporte. Con respecto a repuestos para el bastidor mecánico, consulte la página de repuestos para bastidor XS-Power en la sección de partes de su catálogo. Para ordenar el bastidor mecánico completo, pida el artículo 14L61.



NOTA: COMPONENTES OPCIONALES DEL SELLO A RAS

GARANTÍA COMERCIAL

Para los productos vendidos a compradores comerciales, el Vendedor garantiza que los productos vendidos al Comprador en virtud del presente (con excepción de membranas, sellos, juntas, materiales de elastómero, revestimientos y otras "partes de desgaste" o consumibles, que no se garantizan, con excepción de lo dispuesto por el contrario en la cotización o formulario de venta) (i) se construirán de acuerdo con las especificaciones referidas en la cotización o formulario de venta, si tales especificaciones se realizan expresamente como parte de este Acuerdo, y (ii) están libres de defectos en material y mano de obra por un período de un (1) año desde la fecha de instalación o doce (12) meses desde la fecha de envío (y tal fecha de envío no deberá ser posterior a dieciocho (18) meses posteriores a la recepción del aviso que los productos están listos para ser enviados), lo que ocurra primero, a menos que se especifique un período mayor en la documentación del producto (la "Garantía").

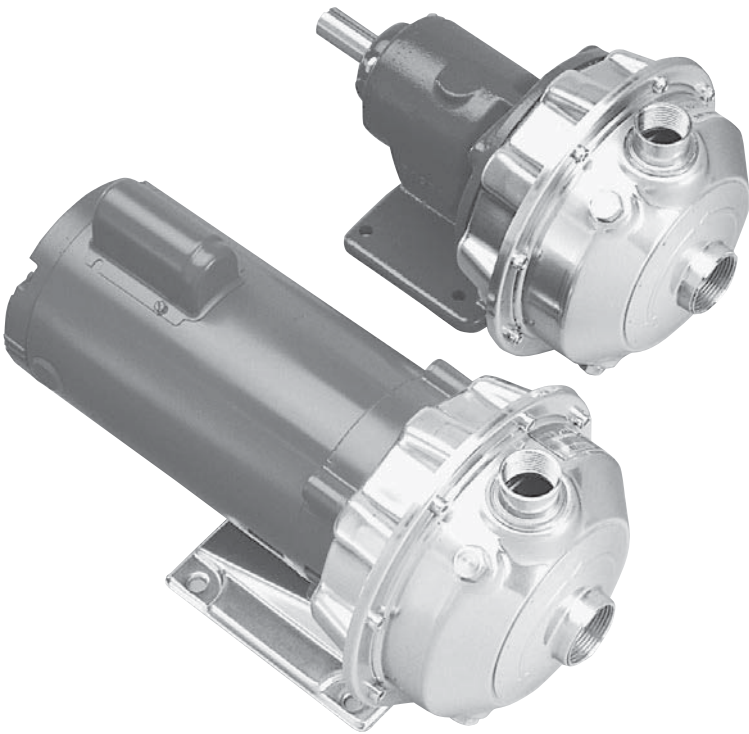
Con excepción de lo requerido por ley, el Vendedor, a su opción y sin costo alguno para el Comprador, reparará o reemplazará el producto que no se ajuste a la Garantía en tanto que el Comprador envíe un aviso escrito al Vendedor sobre todo defecto en material o mano de obra dentro de diez (10) días de la fecha en que aparecen por primera vez los defectos o no conformidades. Según la opción de reparación o reemplazo, el Vendedor no estará obligado a remover o pagar la remoción del producto defectuoso ni instalar o pagar la instalación del producto reemplazado o reparado y el Comprador será responsable de todos los demás costos, que incluyen, entre otros, los costos de servicio, aranceles y gastos de envío. El Vendedor tendrá la exclusiva facultad de decisión con respecto al método o medio de reparación o reemplazo. El incumplimiento del Comprador de las instrucciones de reparación o reemplazo del Vendedor rescindirá las obligaciones del Vendedor en virtud de esta Garantía y anulará esta Garantía. Toda pieza reparada o reemplazada en virtud de la Garantía es garantizada solo por el resto del período de garantía por las piezas reparadas o reemplazadas. El Vendedor no tendrá obligaciones de garantía frente al Comprador con respecto a ningún producto o pieza de un producto que haya sido: (a) reparado por terceros que no sean el Vendedor o sin la aprobación escrita del Vendedor; (b) sujeto a uso incorrecto, aplicación incorrecta, descuido, alteración, accidente o daño físico; (c) usado de forma contraria a las instrucciones del Vendedor para la instalación, operación y mantenimiento; (d) dañado por el uso y desgaste normal, corrosión o ataque químico; (e) dañado debido a condiciones anormales, vibración, falta de cebado correcto o funcionamiento sin flujo; (f) dañado debido a una fuente de alimentación defectuosa o protección eléctrica incorrecta; o (g) dañado debido al uso de equipos accesorios no vendidos o aprobados por el Vendedor. En el caso de productos no fabricados por el Vendedor, no hay garantía del Vendedor; sin embargo, el Vendedor extenderá al Comprador toda garantía recibida del proveedor del Vendedor de tales productos.

LA GARANTÍA ANTERIOR ES EXCLUSIVA Y REEMPLAZA TODA OTRA GARANTÍA, CONDICIÓN O TÉRMINO EXPRESO O IMPLÍCITO DE CUALQUIER NATURALEZA RELACIONADO CON LOS PRODUCTOS PROVISTOS EN VIRTUD DEL PRESENTE, INCLUYENDO, SIN CARÁCTER LIMITATIVO, LAS GARANTÍAS IMPLÍCITAS DE COMERCIALIZACIÓN E IDONEIDAD PARA UN PROPÓSITO EN PARTICULAR, QUE POR EL PRESENTE SE RECHAZAN Y EXCLUYEN EXPRESAMENTE. CON EXCEPCIÓN DE LO DISPUESTO POR LA LEY EN CONTRARIO, EL EXCLUSIVO REMEDIO DEL COMPRADOR Y LA RESPONSABILIDAD TOTAL DEL VENDEDOR POR EL INCUMPLIMIENTO DE ALGUNA DE LAS GARANTÍAS ANTERIORES SE LIMITA A REPARAR O REEMPLAZAR EL PRODUCTO Y EN TODO CASO SE LIMITARÁ AL IMPORTE PAGADO POR EL COMPRADOR POR EL PRODUCTO DEFECTUOSO. EN NINGÚN CASO EL VENDEDOR SERÁ RESPONSABLE POR OTRA FORMA DE DAÑOS, YA SEA DIRECTOS, INDIRECTOS, LIQUIDADOS, INCIDENTALES, RESULTANTES, PUNITIVOS, EJEMPLARES O ESPECIALES, INCLUYENDO, ENTRE OTROS, LA PÉRDIDA DE GANANCIAS, LA PÉRDIDA DE AHORROS ANTICIPADOS O GANANCIAS, LA PÉRDIDA DE INGRESOS, LA PÉRDIDA DEL NEGOCIO, LA PÉRDIDA DE PRODUCCIÓN, LA PÉRDIDA DE OPORTUNIDAD O LA PÉRDIDA DE REPUTACIÓN.



Xylem Inc.
2881 East Bayard Street Ext., Suite A
Seneca Falls, NY 13148
Teléfono: (866) 325-4210
Fax: (888) 322-5877
www.gouldswatertechnology.com

Goulds es una marca registrada de Goulds Pumps, Inc. y se utiliza bajo licencia.
© 2015 Xylem Inc. IM013 Revisión Número 10 Septiembre 2015



Modèles NPE et NPE-F

DIRECTIVES D'INSTALLATION, D'UTILISATION ET D'ENTRETIEN



TABLE DES MATIÈRES

SUJET	PAGE
Consignes de Sécurité.....	19
Informations Importantes.....	19
Installation	19
Tuyauterie D'aspiration.....	20
Tuyauterie de Refoulement.....	20
Alignement des arbres – moteur et pompe	20
Rotation	21
Utilisation.....	21
Entretien	21
Démontage.....	21
Remontage	22
Diagnostic des Anomalies	22
Liste de Pièces	23
Table des Garnitures (Joints) Mécaniques	23
Garantie Limitée.....	23
Déclaration de Conformité.....	24

Informations pour le propriétaire

Numéro de modèle de la pompe : _____

Numéro de série de la pompe : _____

Détaillant : _____

N° de téléphone du détaillant : _____

Date d'achat : _____

Date d'installation : _____

Courant mesuré au démarrage :

1 Ø	3 Ø	L1-2	L2-3	L3-1
A : _____	A : _____	_____	_____	_____
V : _____	V : _____	_____	_____	_____

CONSIGNES DE SÉCURITÉ

AFIN DE PRÉVENIR LES BLESSURES GRAVES OU MORTELLES ET LES DOMMAGES MATÉRIELS IMPORTANTS, LIRE ET SUIVRE TOUTES LES CONSIGNES DE SÉCURITÉ FIGURANT DANS LE MANUEL ET SUR LA POMPE.

LE PRÉSENT MANUEL A POUR BUT DE FACILITER L'INSTALLATION ET L'UTILISATION DE LA POMPE ET DOIT RESTER PRÈS DE CELLE-CI.



Le symbole ci-contre est un **SYMBOLE DE SÉCURITÉ** employé pour signaler les mots-indicateurs dont on trouvera la description ci-dessous. Sa présence sert à attirer l'attention afin d'éviter les blessures et les dommages matériels.



Préviens des risques qui **VONT** causer des blessures graves, la mort ou des dommages matériels importants.



Préviens des risques qui **PEUVENT** causer des blessures graves, la mort ou des dommages matériels importants.



Préviens des risques qui **PEUVENT** causer des blessures ou des dommages matériels.

AVIS : SERT À ÉNONCER LES DIRECTIVES SPÉCIALES DE GRANDE IMPORTANCE QUE L'ON DOIT SUIVRE.

LIRE SOIGNEUSEMENT CHAQUE DIRECTIVE ET AVERTISSEMENT AVANT D'EFFECTUER TOUT TRAVAIL SUR LA POMPE.

N'ENLEVER AUCUN AUTOCOLLANT DE SÉCURITÉ.



Les fluides dangereux peuvent causer un incendie, des brûlures ou la mort.

APPAREIL NON CONÇU POUR LES LIQUIDES DANGEREUX NI POUR LES GAZ INFLAMMABLES. CES FLUIDES POURRAIENT ÊTRE PRÉSENTS DANS LES INSTALLATIONS DE CONFINEMENT (PUITS COLLECTEURS).

DESCRIPTION et CARACTÉRISTIQUES

Les pompes modèles NPE monobloc (sur moteur) et NPE-F (sur palier) sont des pompes centrifuges à un étage et à orifice d'aspiration en bout, utilisées pour le transfert général de liquides, l'augmentation de pression, etc. La tête de pompage est tout en inox AISI du type 316 estampé ou soudé. La roue, fermée, ne peut être réduite à un diamètre moindre par usinage. Le corps de pompe est muni d'un diffuseur pour en améliorer le rendement et diminuer la charge radiale de l'arbre.

Les NPE sont montées sur des moteurs NEMA 48J ou 56J à bride de fixation en C et à bout d'arbre fileté. Les pompes montées sur palier peuvent être entraînées par accouplement ou par courroie.

1. INFORMATIONS IMPORTANTES

- 1.1. Inspecter l'appareil et signaler immédiatement tout dommage au transporteur ou au détaillant.
- 1.2. L'alimentation en électricité doit être assurée par un circuit de dérivation distinct dont les fusibles ou les disjoncteurs, le calibre des fils, etc. sont conformes aux prescriptions du code provincial ou national de

l'électricité. Poser un sectionneur tout conducteur près de la pompe.



On doit toujours couper le courant lorsque l'on effectue quelque travail que ce soit sur la pompe ou les commandes.

- 1.3. Le câblage d'alimentation du moteur doit convenir à la tension de fonctionnement. Le schéma de câblage se trouve sur la plaque signalétique du moteur. Les fils doivent avoir un calibre limitant la chute de tension maximale, aux bornes du moteur, à 10 % de la valeur de tension indiquée sur la plaque signalétique, sinon la durée de vie du moteur et les performances de la pompe diminueront.
- 1.4. Il faut toujours employer des contacteurs et des démarreurs conçus pour les puissances nominales en horse-power (hp).
- 1.5. Protection du moteur
 - 1.5.1. Moteurs monophasés — Ces moteurs sont parfois munis d'une protection thermique intégrée (consulter la plaque signalétique). Dans le cas contraire, utiliser un contacteur à protection appropriée contre les surcharges. Les dispositifs fusibles sont permis.
 - 1.5.2. Moteurs triphasés — Employer une protection trois conducteurs appropriée contre les surcharges thermiques ainsi qu'un démarreur magnétique convenant à la charge électrique.
- 1.6. Limites d'utilisation maximales :
 - Température du liquide : 120 °C (250 °F)
 - Pression : 862 kPa (125 lb/po²).
 - Démarrages par heure : 20, répartis uniformément.
- 1.7. Une inspection et un entretien réguliers augmenteront la durée de vie de l'appareil. Établir un programme d'entretien et d'inspection basé sur le temps de fonctionnement. Voir la section 8.

2. INSTALLATION

2.1. Généralités

- 2.1.1. Placer la pompe aussi près de la source de liquide que possible, mais plus bas pour assurer l'amorçage automatique.
- 2.1.2. Protéger l'appareil contre les inondations et le gel.
- 2.1.3. Laisser assez d'espace pour l'entretien et l'aération.
- 2.1.4. La tuyauterie doit posséder ses propres supports et « s'aligner » correctement sur la pompe.



Poser la tuyauterie de façon à n'appliquer aucune contrainte sur les raccords d'aspiration et de refoulement de la pompe.

- 2.1.5. Ne poser aucun accessoire ni raccord de tuyauterie superflu. Choisir le calibre qui réduit les pertes de charge par frottement au minimum.

2.2. Pompes montées sur moteur

- 2.2.1. Les pompes peuvent être installées sur une surface horizontale, inclinée ou verticale.



Ne pas placer le moteur plus bas que la pompe afin de le protéger contre les fuites et l'eau de condensation.

2.2.2. L'assise doit être plane et solide pour empêcher que le serrage des boulons ne cause de contraintes. Monter l'appareil sur caoutchouc pour réduire le bruit et les vibrations au minimum.

2.2.3. Serrer les boulons de fixation du moteur avant de raccorder la tuyauterie à la pompe.

2.3. Pompes montées sur palier

2.3.1. Il est recommandé de remplir de coulis le vide entre la plaque de base et la dalle reposant sur une semelle de fondations solide (v. figure 1).

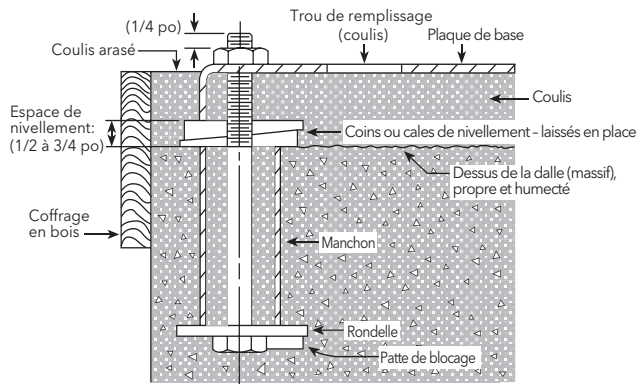


Figure 1

2.3.2. Placer l'appareil sur des coins de nivellement situés en quatre points distincts : deux sous le centre approximatif du moteur et deux sous celui de la pompe. Régler la position de l'appareil de manière à ce que la bride des raccords d'aspiration et de refoulement soit de niveau (avec un fil à plomb ou un niveau).

2.3.3. S'assurer que la plaque de base n'est pas déformée et que l'alignement final de l'accouplement est possible dans les limites de déplacement ou de calage du moteur.

2.3.4. Serrer les boulons d'ancrage à la main et construire un coffrage autour de la plaque de base. Verser du coulis sous la plaque et s'assurer qu'il n'y a aucun creux sous la plaque-support de la pompe et du moteur. Laisser le coulis durcir pendant 48 heures avant de serrer les boulons d'ancrage à fond.

2.3.5. Serrer les boulons de fixation de la pompe et du moteur avant de raccorder les tuyaux à la pompe.

3. TUYAUTERIE D'ASPIRATION

3.1. Une hauteur géométrique d'aspiration réduite et une tuyauterie directe et courte sont souhaitables. Si la hauteur d'aspiration dépasse 3 m (10 pi), et la température du liquide, 49 °C (120 °F), consulter la courbe de débit de la pompe pour obtenir la hauteur nette d'aspiration requise (NPSHR).

3.2. Le calibre du tuyau d'aspiration doit être au moins égal à celui du raccord d'aspiration de la pompe pour éviter une perte de performances.

3.3. S'il faut un tuyau plus gros, on doit installer près de la pompe un raccord excentré (le côté non oblique en haut).

3.4. Pompe placée plus bas que la source de liquide

3.4.1. Poser un robinet d'isolement à passage intégral sur le tuyau d'aspiration pour l'inspection et l'entretien.

ATTENTION Ne pas employer le robinet d'isolement pour réduire la section de passage vers la pompe.

3.5. Pompe placée plus haut que la source de liquide

3.5.1. Afin de prévenir les poches d'air, aucun élément de la tuyauterie d'aspiration ne devrait être plus haut que le raccord d'aspiration de la pompe. Incliner la tuyauterie vers le haut à partir de la source de liquide.

3.5.2. Chaque joint doit être étanche.

3.5.3. N'employer un clapet de pied que s'il est nécessaire pour amorcer la pompe ou la maintenir amorcée durant les arrêts.

3.5.4. La section de passage de la crépine du tuyau d'aspiration doit être au moins le triple de celle du tuyau.

3.6. Le diamètre (d) et la hauteur d'immersion minimale (h min.) de l'entrée du tuyau d'aspiration doivent être suffisants pour empêcher l'aspiration d'air par vortex (v. figures 2 à 5).

3.7. Enrouler les filets des raccords de 3 ou 4 couches de ruban de téflon pour les étancher.

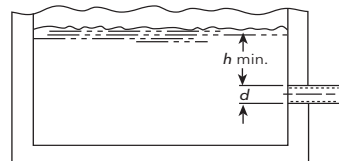


Figure 1

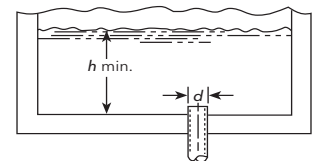


Figure 2

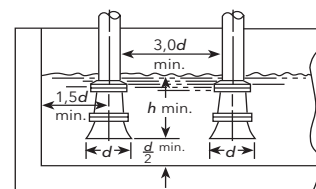


Figure 3

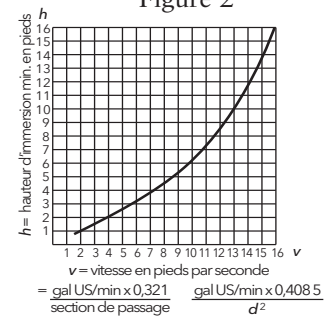


Figure 4

4. TUYAUTERIE DE REFOULEMENT

4.1. L'installation doit comporter un robinet-vanne, ainsi qu'un clapet de non-retour placé entre le robinet-vanne et la pompe. Le robinet-vanne sert à la régularisation du débit et à l'inspection de la pompe et du clapet de non-retour.

4.2. Si un raccord agrandisseur est nécessaire, le poser entre le clapet de non-retour et la pompe.

4.3. Enrouler les filets des raccords de 3 ou 4 couches de ruban de téflon pour les étancher.

5. ALIGNEMENT DES ARBRES — MOTEUR ET POMPE

5.1. Pompes montées sur moteur

5.1.1. Aucun alignement sur place n'est requis.

5.2. Pompes montées sur palier

5.2.1. Les arbres ont été alignés en usine, mais le transport peut parfois les désaligner. On doit donc vérifier l'alignement avant la mise en service de la pompe (v. figure 6).

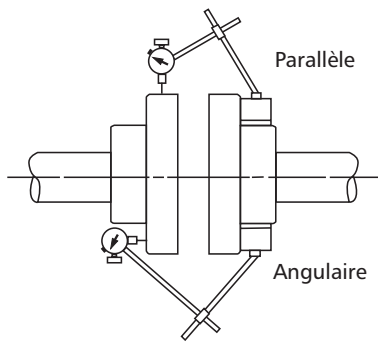


Figure 6

- 5.2.2. Serrer tous les boulons de fixation avant de vérifier l'alignement.
- 5.2.3. Si un alignement est nécessaire, on ne doit déplacer que le moteur. Employer des cales au besoin.
- 5.2.4. Désalignement parallèle (arbres parallèles mais non concentriques) — Fixer sur un moyeu un comparateur à cadran que l'on tourne de 360° le long de la périphérie de l'autre moyeu tout en notant l'amplitude de déplacement de l'aiguille. L'alignement est correct si le faux-rond total est de 0,127 mm (0,005 po) ou moins.
- 5.2.5. Désalignement angulaire (arbres concentriques mais non parallèles) — Fixer sur un moyeu un comparateur à cadran que l'on tourne de 360° le long du plateau de l'autre moyeu tout en notant l'amplitude de déplacement de l'aiguille. L'alignement est correct si le faux-rond total est de 0,127 mm (0,005 po) ou moins.
- 5.2.6. L'alignement final convient lorsqu'il satisfait aux exigences relatives à l'alignement parallèle et angulaire (après le serrage à fond des boulons de fixation du moteur).

ATTENTION On doit toujours vérifier les deux types d'alignement après chaque réglage.

6. ROTATION

- 6.1. La rotation appropriée s'effectue en sens horaire (vers la droite, vue de l'extrémité du moteur). Couper et rétablir le courant rapidement pour observer le sens de rotation de l'arbre. Changer le sens de rotation comme suit.
 - 6.1.1. Moteur monophasé : irréversible.
 - 6.1.2. Moteur triphasé : intervertir deux des conducteurs du moteur.

7. UTILISATION

- 7.1. Avant la mise en service, on doit amorcer la pompe (pour en faire sortir l'air), remplir de liquide le tuyau d'aspiration et entrouvrir le robinet de refoulement.

ATTENTION Les liquides pompés servent de lubrifiant. Si la pompe tournait à sec, les pièces mobiles gripperaient, et la garniture mécanique se détériorerait. Ne pas faire marcher la pompe quand le débit est nul ou presque, car le liquide absorberait la chaleur produite par frottement et pourrait se changer rapidement en vapeur. Les pièces mobiles doivent être lubrifiées par le liquide pour ne pas se détériorer ni gripper.

- 7.2. Faire fonctionner l'appareil dans des conditions de service normales jusqu'à ce que sa température se soit stabilisée, puis vérifier tout le système. Vérifier également si la tuyauterie se dilate. Dans le cas des pompes sur palier, la différence de température entre le moteur et la pompe peut causer le désalignement de l'accouplement. Vérifier l'alignement de nouveau.

8. ENTRETIEN

- 8.1. Dans le cas des pompes montées sur moteur, les roulements sont situés à l'intérieur du moteur et sont lubrifiés à vie. Aucun graissage n'est requis.
- 8.2. Pompes montées sur palier
 - 8.2.1. Les roulements de palier devraient être graissés toutes les 2 000 heures ou tous les trois mois, soit la période prenant fin la première. Employer une graisse au lithium ou au sodium n° 2. Remplir le roulement jusqu'à ce que la graisse sorte par les garnitures ou par les joints à lèvres, puis essuyer le surplus.
 - 8.2.2. Suivre les directives de lubrification du fabricant du moteur et de l'accouplement.
 - 8.2.3. Vérifier l'alignement de nouveau après tout travail d'entretien nécessitant le déplacement de l'appareil.

9. DÉMONTAGE

Le démontage complet de la pompe est décrit ci-dessous. Ne démonter que ce qui permet d'effectuer l'entretien nécessaire.

- 9.1. Couper le courant.
- 9.2. Vidanger le système. Le rincer au besoin.
- 9.3. Dans le cas des pompes montées sur moteur, enlever les boulons de fixation de ce dernier. Quant aux pompes montées sur palier, enlever la bague et le carter d'accouplement ainsi que les boulons de fixation du palier.
- 9.4. Démontage de la tête de pompage
 - 9.4.1. Enlever les vis de fixation (370) du corps de pompe.
 - 9.4.2. Écarter l'ensemble d'entraînement de la roue d'avec le corps de pompe (100).
 - 9.4.3. Enlever l'écrou autofreiné (304) de la roue.

ATTENTION Ne pas insérer de tournevis entre les aubes de la roue pour l'empêcher de tourner : enlever le couvercle d'extrémité du moteur et utiliser la fente ou les méplats de blocage de l'arbre ; on prévient ainsi l'endommagement de la roue.

- 9.4.4. Dévisser la roue (101) dans le sens antihoraire (vu du devant de la pompe). Se protéger les mains avec un linge ou des gants.

ATTENTION Toute tentative de dévissage dans le sens horaire peut endommager les filets de la roue ou de l'arbre, ou des deux.

- 9.4.5. Retirer le logement de garniture (184) avec soin au moyen de deux leviers placés dans un angle de 180° entre le logement et l'adaptateur de moteur (108). L'élément mobile de la garniture mécanique (383) devrait sortir de l'arbre avec le logement.
- 9.4.6. Pousser l'élément fixe de la garniture mécanique hors du logement.

9.5. Démontage du palier

- 9.5.1. Enlever le couvercle de palier (109).
- 9.5.2. Sortir l'arbre (122) du palier (228).
- 9.5.3. Si les joints à lèvres (138 et 139) sont usés et doivent être remplacés, les retirer du palier et du couvercle de palier.
- 9.5.5. À l'aide d'un arrache-roulement ou d'une presse à mandriner, extraire les roulements (112 et 168).

10. REMONTAGE

- 10.1. Chaque pièce devrait être nettoyée avant le remontage.
 - 10.2. Voir la liste de pièces pour déterminer celles qui sont requises. Préciser le numéro de pièce ou de catalogue de la pompe lorsque l'on commande des pièces.
 - 10.3. Le remontage se fait dans l'ordre inverse du démontage.
 - 10.3.1. Visser la roue et son écrou autofreiné sur l'arbre de moteur. Les serrer à 10 lbf·pi.
 - 10.4. Observer les directives suivantes pendant le remontage du palier.
 - 10.4.1. Remplacer les joints à lèvres s'ils sont usés ou endommagés.
 - 10.4.2. Remplacer les roulements à billes s'ils ont du jeu, s'ils ne tournent pas rond ou s'ils sont bruyants.
 - 10.4.3. Vérifier si l'arbre comporte des faux-ronds : le faux-rond maximal admissible est de 0,051 mm (0,002 po).
 - 10.5. Observer les directives suivantes pendant le remontage de la tête de pompage :
 - 10.5.1. Tous les éléments de la garniture mécanique doivent être en bon état pour empêcher les fuites. Le remplacement de la garniture en entier est une pratique courante appropriée chaque fois que la garniture est enlevée. On peut utiliser de la glycérine ou un autre lubrifiant léger pour faciliter la pose de la garniture, dont on ne doit pas contaminer la surface avec le lubrifiant.
 - 10.5.2. Inspecter le joint torique (513) du corps de pompe et le remplacer s'il est endommagé. On peut employer du pétrolatum (vaseline) pour en faciliter la pose.
 - 10.5.3. Inspecter le joint torique (349) du diffuseur et le remplacer s'il est endommagé.
- ATTENTION** Ne pas lubrifier le joint torique (349) du diffuseur. S'assurer que le joint n'est pas pincé par la roue au cours du remontage.
- 10.6. Une fois la pompe remontée, vérifier s'il y a grippage. Apporter les corrections nécessaires.
 - 10.7. Serrer les vis de fixation du corps de pompe en étoile pour prévenir le coincement du joint torique.

11. DIAGNOSTIC DES ANOMALIES

NON-FONCTIONNEMENT DU MOTEUR
(V. causes probables 1 à 6)

DÉBIT DE LIQUIDE FAIBLE OU NUL
(V. causes probables 7 à 17)

CONSOMMATION D'ÉNERGIE EXCESSIVE
(V. causes probables 4, 17, 18, 19 et 22)

VIBRATION ET BRUIT EXCESSIFS
(V. causes probables 4, 6, 9, 13, 15, 16, 18, 20, 21 et 22)

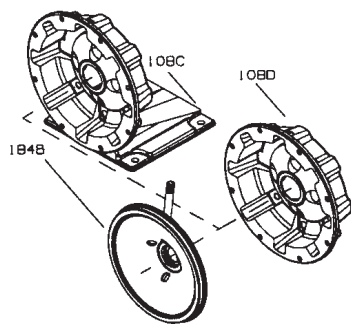
CAUSES PROBABLES :

1. Protecteur thermique déclenché
2. Disjoncteur ouvert
3. Fusible sauté
4. Pièces mobiles grippées
5. Moteur mal connecté
6. Moteur défectueux
7. Pompe non amorcée
8. Tuyau de refoulement obstrué ou robinet fermé
9. Mauvais sens de rotation
10. Clapet de pied trop petit, entrée de tuyau d'aspiration non immergée, crépine de tuyau d'aspiration obstruée
11. Basse tension électrique
12. Perte de phase (moteurs triphasés seulement)
13. Présence d'air ou de gaz dans le liquide
14. Hauteur de charge trop élevée du système
15. Hauteur nette d'aspiration disponible (NPSHA) trop faible — hauteur ou perte d'aspiration excessives — à vérifier avec un vacuomètre
16. Roue usée ou engorgée
17. Diamètre de roue inapproprié
18. Hauteur de charge trop faible : débit excessif
19. Viscosité ou densité trop élevées
20. Roulements usés
21. Pompe ou tuyauterie mal assujetties
22. Pompe et moteur désalignés

LISTE DE PIÈCES DE RECHANGE DE LA NPE STANDARD

N° d'article	Description	Matériau
100	Corps de pompe	Inox AISI 316L
101	Roue	
108A	Adaptateur de moteur et plaque-support	
108B	Adaptateur de moteurs sans plaque-support	
108C	Adaptateur de mot., plaque-supp. et rinceur	
108D	Adaptateur de moteur et rinceur sans plaque-supp.	
123	Défecteur	Buna-N
184A	Logement de garniture standard	Inox AISI 316L
184B	Logement de garniture et rinceur	
240	Plaque-support (moteur)	Inox 300
	Profilé en U	Caoutchouc
304	Écrou autofreiné (roue)	Inox AISI 316
347	Diffuseur	Inox AISI 316L
349	Joint d'étanchéité (diffuseur)	Viton (standard)
		Éthylène-propylène
		Buna
370	Vis à pans creux (corps de pompe)	Inox AISI 410
371	Vis (moteur)	Acier (galvanisé)
383	Garniture mécanique	(Voir table)
408	Bouchons - vidange et MAL (corps de pompe)	Inox AISI 316
412B	Joints toriques (bouchons)	Viton (standard)
		Éthylène-propylène
		Buna
513	Joint torique (corps de pompe)	Viton (standard)
		Éthylène-propylène
		Buna

MAL = mise à l'air libre



COMPOSANTS EN OPTION AVEC RINCEUR DE GARNITURE

GARANTIE POUR UTILISATION COMMERCIALE

Pour les biens vendus aux acheteurs commerciaux, le vendeur garantit les biens vendus ci-dessous (sauf pour les membranes, joints d'étanchéités, joints, matériaux en élastomère, revêtements et autres « pièces d'usure » ou articles consommables, ces derniers n'étant pas garantis sauf indication contraire sur le formulaire de soumission ou de vente) seront (i) intégrés selon les spécifications indiquées sur la soumission ou le formulaire de vente, si ces spécifications font partie intégrantes de cette entente, et (ii) sont libres de toute défectuosité matériel et de fabrication pendant une période de un (1) an depuis la date d'installation ou douze (12) mois depuis la date d'expédition (la date d'expédition ne sera pas ultérieure à dix-huit (18) mois après la réception de l'avis que les biens sont prêts à être expédiés), la première instance à survenir, à moins qu'une période plus longue n'ait été indiquée sur la documentation du produit (la « Garantie »).

Sauf mention contraire dans les lois, le vendeur, à son choix et sans frais pour l'acheteur, réparera ou remplacera tout produit défectueux en vertu de la garantie pour autant que l'acheteur donne un avis écrit au vendeur de toutes défectuosités matérielles ou de main d'oeuvre dans les dix (10) jours de la première occurrence d'un défaut ou non conformité. En vertu de l'option de réparation ou de remplacement, le vendeur n'est soumis à aucune obligation de retirer ou de faire retirer le produit défectueux ni d'installer ou de payer pour l'installation du produit réparé ou remplacé. L'acheteur ne peut être tenu responsable de tout autre frais, incluant, entre autre, frais de réparation, d'expéditions et dépenses. Le vendeur à son entière discrétion choisira la méthode ou le moyen de réparation ou de remplacement. Le défaut de l'acheteur de se conformer aux directives de réparation ou de remplacement du vendeur conclura les obligations du vendeur en vertu de la présente garantie et annulera la garantie. Toutes pièces réparées ou remplacées en vertu de la garantie seront couvertes uniquement pour la durée de la garantie restante sur les pièces ayant été réparées ou remplacées. Le vendeur n'aura aucune obligation de garantie envers l'acheteur pour tout produit ou pièces du produit ayant été : (a) réparées par une tierce partie autre que le vendeur ou sans l'approbation écrite du vendeur; (b) soumises à une mauvaise utilisation, mauvaise application, négligence, altération, accident ou dommage physique; (c) utilisées de manière contraire aux directives d'installation, d'opération et d'entretien du vendeur; (d) endommagées par une usure normale, corrosion ou produits chimiques; (e) endommagées par des conditions anormales, vibrations, défaut d'une amorce adéquate ou opération sans débit; (f) endommagées par une alimentation électrique défectueuse ou une mauvaise protection électrique; ou (g) endommagées par l'utilisation d'un accessoire n'ayant pas été vendu ou approuvé par le vendeur. Dans le cas de produits n'ayant pas été fabriqués par le vendeur, ce dernier n'offre aucune garantie; cependant le vendeur fera profiter l'acheteur de toute garantie qu'il aura reçu du fournisseur de tels produits.

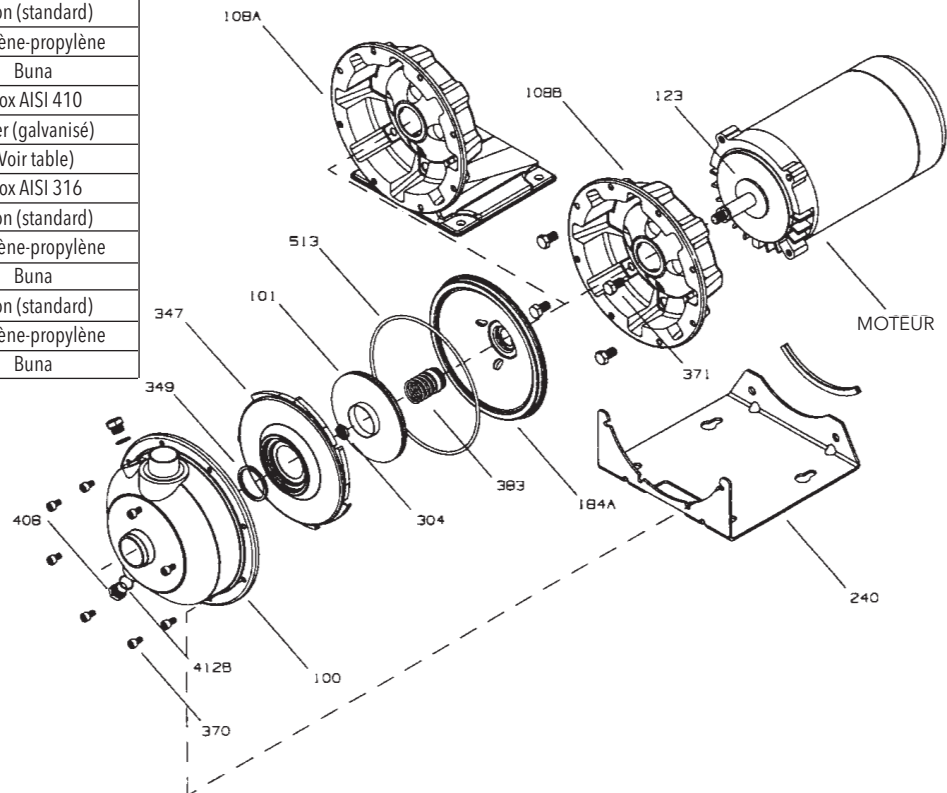
LA PRÉSENTE GARANTIE EST EXCLUSIVE ET REMPLACE TOUTE AUTRE GARANTIE OU CONDITIONS EXPRESSES OU IMPLICITES DE QUELQUE NATURE SE RAPPORTANT AUX BIENS FOURNIS CI-APRÈS, INCLUSANT, SANS LIMITE, TOUTE GARANTIE IMPLICITE DE QUALITÉ MARCHANDE ET DE CONFORMITÉ À DES FINS PARTICULIÈRES, QUI SONT RÉFUTÉES EXPRESSÉMENT ET EXLUES. SAUF MENTION CONTRAIRE DANS LES LOIS, LE SEUL RECOURS DE L'ACHETEUR ET LA RESPONSABILITÉ DU VENDEUR EN CAS DE BRIS D'UNE DES GARANTIES CI-APRÈS EST LIMITÉ À LA RÉPARATION OU AU REMPLACEMENT DU PRODUIT ET SERA DANS TOUS LES CAS LIMITÉ AU MONTANT PAYÉ PAR L'ACHETEUR POUR LE PRODUIT DÉFECTUEUX. EN AUCUN CAS, LE VENDEUR NE POURRA ÊTRE TENU RESPONSABLE DE TOUTES AUTRES FORMES DE DOMMAGES, QU'IL SOIT DIRECT, INDIRECT, LIQUIDE, ACCIDENTEL, CONSÉCUTIF, PUNITIF, EXEMPLAIRE OU DOMMAGES SPÉCIAUX, INCLUANT, ENTRE AUTRES, PERTE DE PROFIT, PERTE D'ÉCONOMIE PRÉVUE OU DE REVENU, PERTE DE RENTRÉE MONÉTAIRE, PERTE DE CLIENTÈLE, PERTE DE PRODUCTION, PERTE D'OPPORTUNITÉ OU PERTE DE RÉPUTATION.

TABLE DES GARNITURES MÉCANIQUES

Garnitures mécaniques (% po) – article n° 383				
Élément mobile	Élément fixe	Élastomère	Métal	N° de pièce
Carbone	Carbure de silicium	Éthyl.-propyl.	Inox 316	10K18
		Viton		10K55
Carbure de silicium		Éthyl.-propyl.		10K81
		Viton		10K62

NOTA : Les moteurs de ½ hp, tournant à 1750 r/min, ainsi que les moteurs antidéflagrants de ½-3 hp et les moteurs de 5 hp, livrés avec les NPE monobloc (sur moteur), comportent une plaque-support, mais leur adaptateur en est dépourvu.

NOTA : Les NPE-F sont montées sur un palier XS dont l'adaptateur est dépourvu de plaque-support. Pour obtenir les pièces de rechange du palier XS, voir la page pertinente dans le catalogue des pièces. Le numéro d'article pour commander le palier complet est le 14L61.



Declaration of Conformity

We at,
Goulds Water Technology / Xylem Inc.
1 Goulds Drive
Auburn, NY 13021

Declare that the following products: NPE, MCS, MCC, 3656, 3656 SP, GB, e-SV, SVI, NPO, Prime Line SP, HB, HMS, LC, NPV, LB, LBS comply with Machine Directive 06/42/EC. This equipment is intended to be incorporated with machinery covered by this directive, but must not be put into service until the machinery into which it is to be incorporated has been declared in conformity with the actual provisions of the directive.

Declaración de Conformidad

Nosotros en
Goulds Water Technology / Xylem Inc.
1 Goulds Drive
Auburn, NY 13021

Declaramos que los siguientes productos: NPE, MCS, MCC, 3656, 3656 SP, GB, e-SV, SVI, NPO, Prime Line SP, HB, HMS, LC, NPV, LB, LBS cumplen con las Directivas para Maquinarias 06/42/EC. Este equipo ha sido diseñado para ser incorporado a la maquinaria cubierta por esta directiva pero no debe ponerse en funcionamiento hasta que se declare que la maquinaria en la que será incorporado cumple con las disposiciones reales de la directiva.

Déclaration de Conformité

Nous, à
Goulds Water Technology, Xylem Inc.
1 Goulds Drive
Auburn, NY, U.S.A. 13021,

déclarons que les produits NPE, MCS, MCC, 3656, 3656 SP, GB, e-SV, SVI, NPO, Prime Line SP, HB, HMS, LC, NPV, LB et LBS sont conformes à la directive 06/42/EC (législation relative aux machines). Ils sont destinés à être intégrés dans la machinerie faisant l'objet de ladite directive, mais ne doivent pas être mis en service tant que la machinerie en question ne sera pas déclarée conforme aux stipulations de la directive.



Xylem Inc.
2881 East Bayard Street Ext., Suite A
Seneca Falls, NY 13148
Téléphone: (866) 325-4210
Télécopie: (888) 322-5877
www.gouldswatertechnology.com

Goulds est une marque déposée de Goulds Pumps, Inc. et est utilisé sous le permis.
© 2015, Xylem Inc. IM013 Révision numéro 10 Septembre 2015