

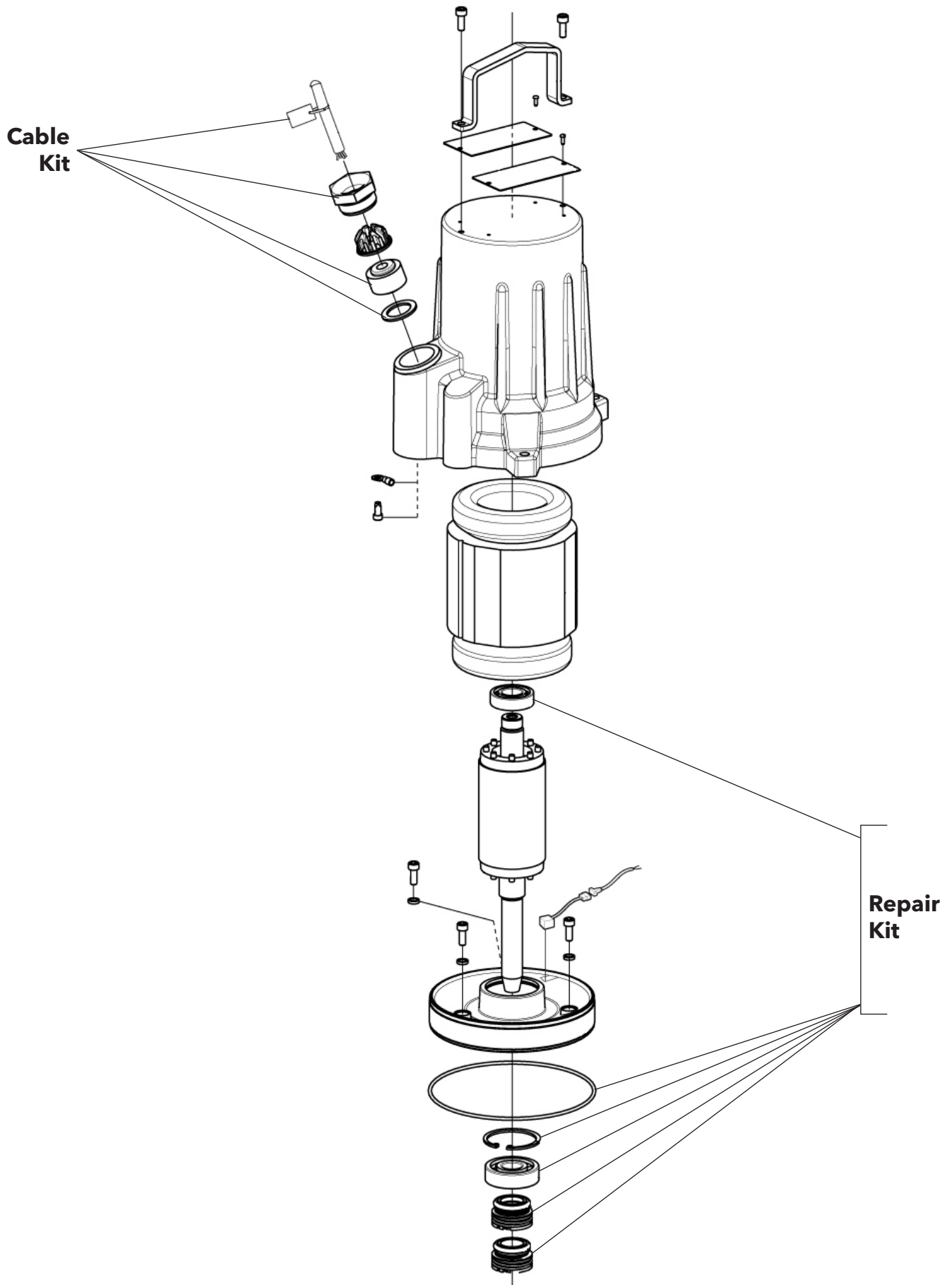
REPAIR PARTS

R234GVPL R1

GV Plus

REPAIR PARTS

2GV - 3GV - 4GV



Wastewater

2"

	Quantity
10K210 BASIC REPAIR KIT	1
O-RING KITS	1
BALL BEARING	1
BALL BEARING	2
MECHANICAL SEAL	1
MECHANICAL SEAL	1
5K501 O-RING KIT	1
LOCK WASHER	3
O-RING	1
O-RING	1
O-RING	1
MOUNTING INSTRUCTION	1

3" (6.5 HP AND UP) AND 4" (5.1 HP AND UP)

	Quantity
10K212 BASIC REPAIR KIT	1
O-RING KITS	1
BALL BEARING	1
BALL BEARING	1
MECHANICAL SEAL	1
MECHANICAL SEAL	1
5K503 O-RING KIT	1
LOCK WASHER	3
O-RING	2
O-RING	1
O-RING	1
MOUNTING INSTRUCTION	1

3" (4.4 - 6.4 HP) AND 4" (3.1 - 5 HP)

	Quantity
10K211 BASIC REPAIR KIT	1
O-RING KITS	1
BALL BEARING	1
BALL BEARING	1
MECHANICAL SEAL	1
MECHANICAL SEAL	1
5K502 O-RING KIT	1
LOCK WASHER	3
O-RING	2
O-RING	1
O-RING	1
O-RING	1
MOUNTING INSTRUCTION	1

6" ALL

	Quantity
10K213 BASIC REPAIR KIT	1
O-RING KITS	1
BALL BEARING	1
BALL BEARING	1
MECHANICAL SEAL	1
MECHANICAL SEAL	1
5K504 O-RING KIT	1
LOCK WASHER	3
O-RING	2
O-RING	1
O-RING	1
O-RING	1
MOUNTING INSTRUCTION	1

ALL PUMPS

	Quantity
9K578 CABLE KIT 10AWG	1
Cable Entry 20-22 mm	
SEAL SLEEVE (35mm entry)	1
CABLE CLAMP	1
CABLE LUG	2
CLOSED END SPLICE	7
MOTOR CABLE	30.5 m
SEAL SLEEVE (52mm entry)	2
O-RING	1
O-RING	1
MOUNTING INSTRUCTIONS	1

9K579 CABLE KIT 14AWG	1
Cable Entry 18-20 mm	
SEAL SLEEVE	1
CABLE CLAMP	1
CABLE LUG	1
CLOSED END SPLICE	7
MOTOR CABLE	30.5 m
CABLE LUG	1
MOUNTING INSTRUCTIONS	1

	Quantity	
SUPPORT KITS	1	7482200
SCREW	4	
WASHER	4	
MOUNTING INSTRUCTION	1	
STAND	1	



Xylem Inc.
 2881 East Bayard Street Ext., Suite A
 Seneca Falls, NY 13148
 Phone: (866) 325-4210
 Fax: (888) 322-5877
www.gouldswatertechnology.com

Goulds is a registered trademark of Goulds Pumps, Inc. and is used under license.
 © 2014 Xylem Inc. R234GVPL R1 July 2014