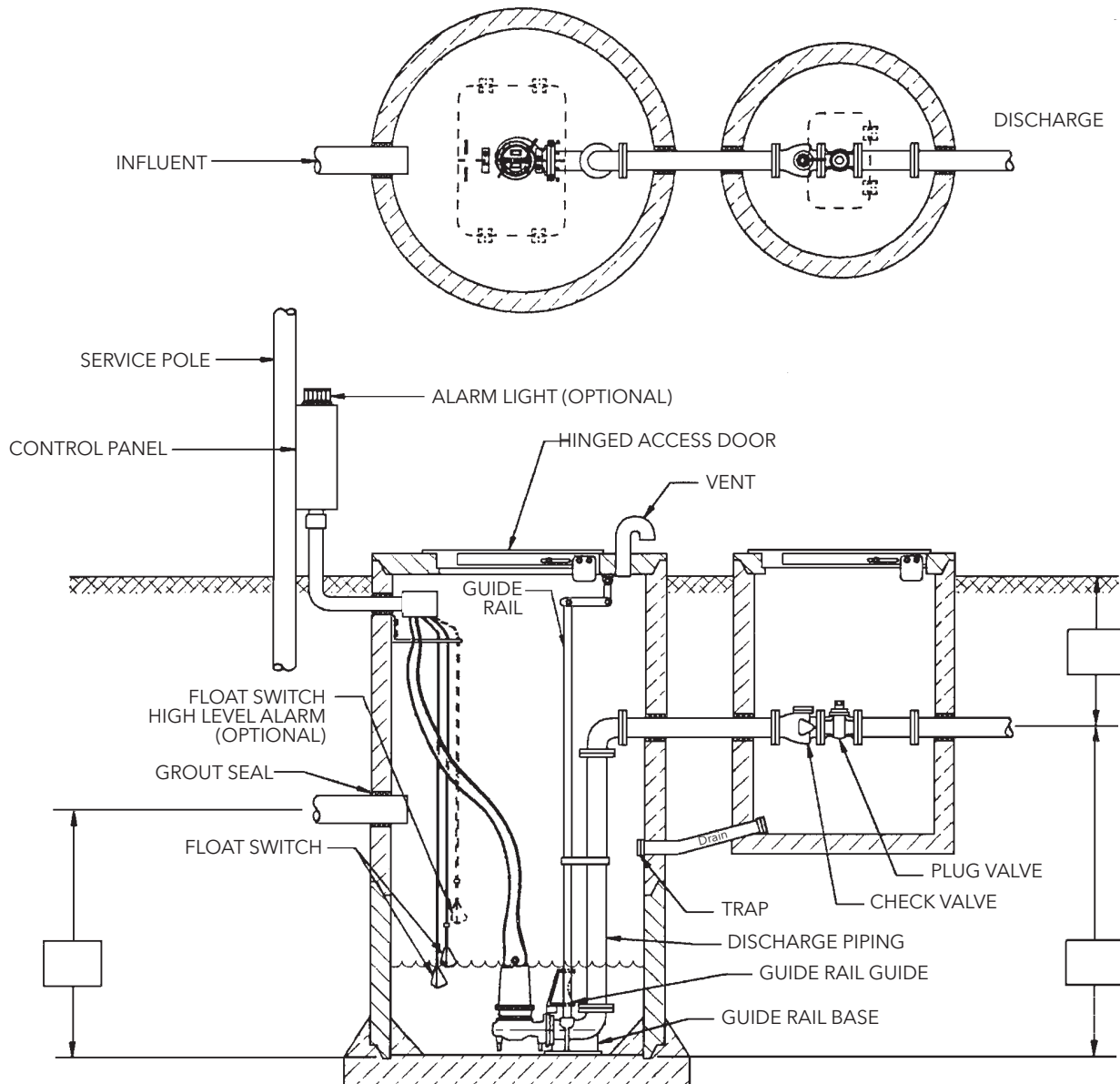


Simplex 3" AND 4" NPT DISCHARGE - Submersible Sewage Pump

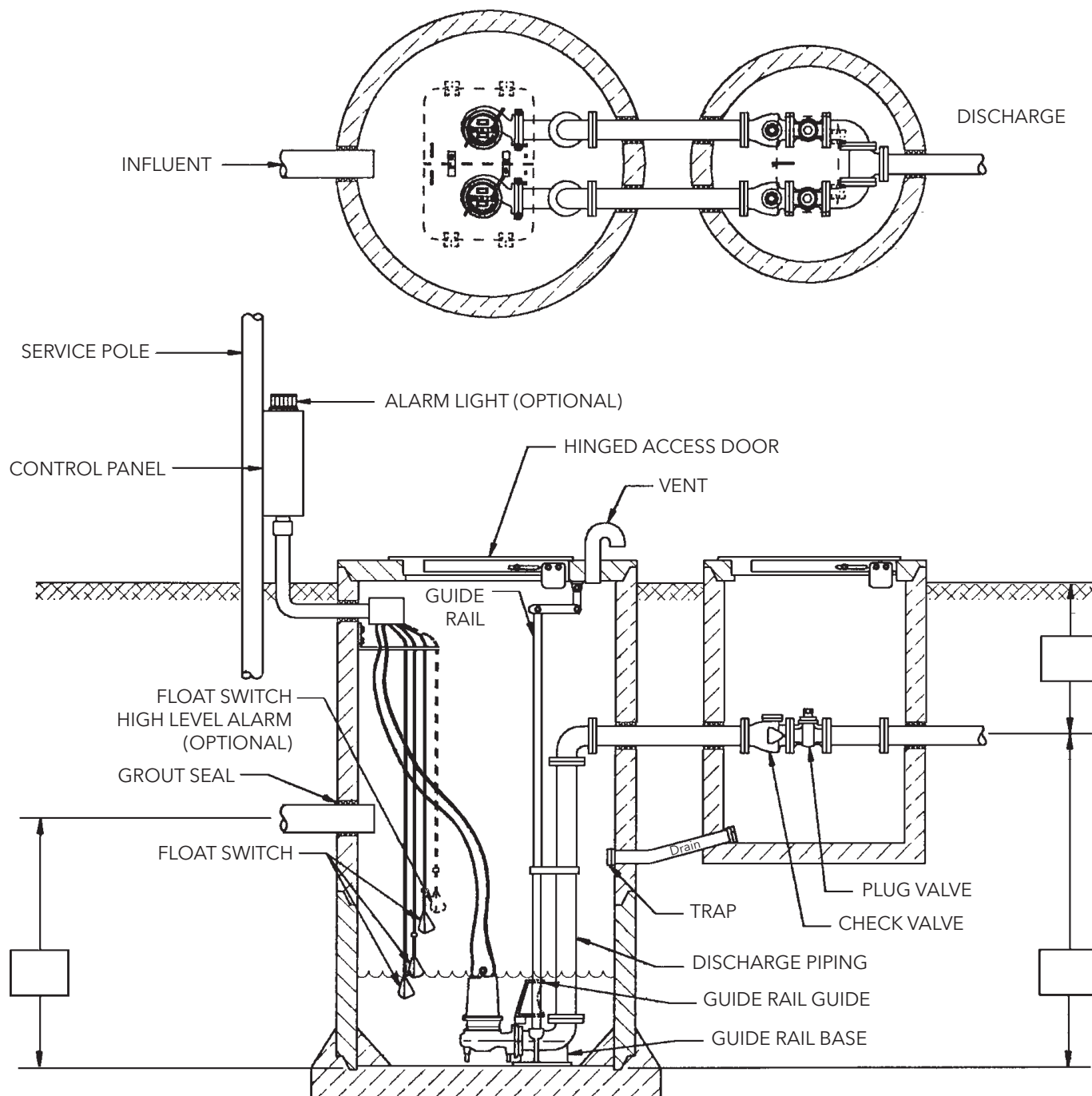
TYPICAL INSTALLATION DRAWING



(All dimensions are in inches. Do not use for construction purposes.)

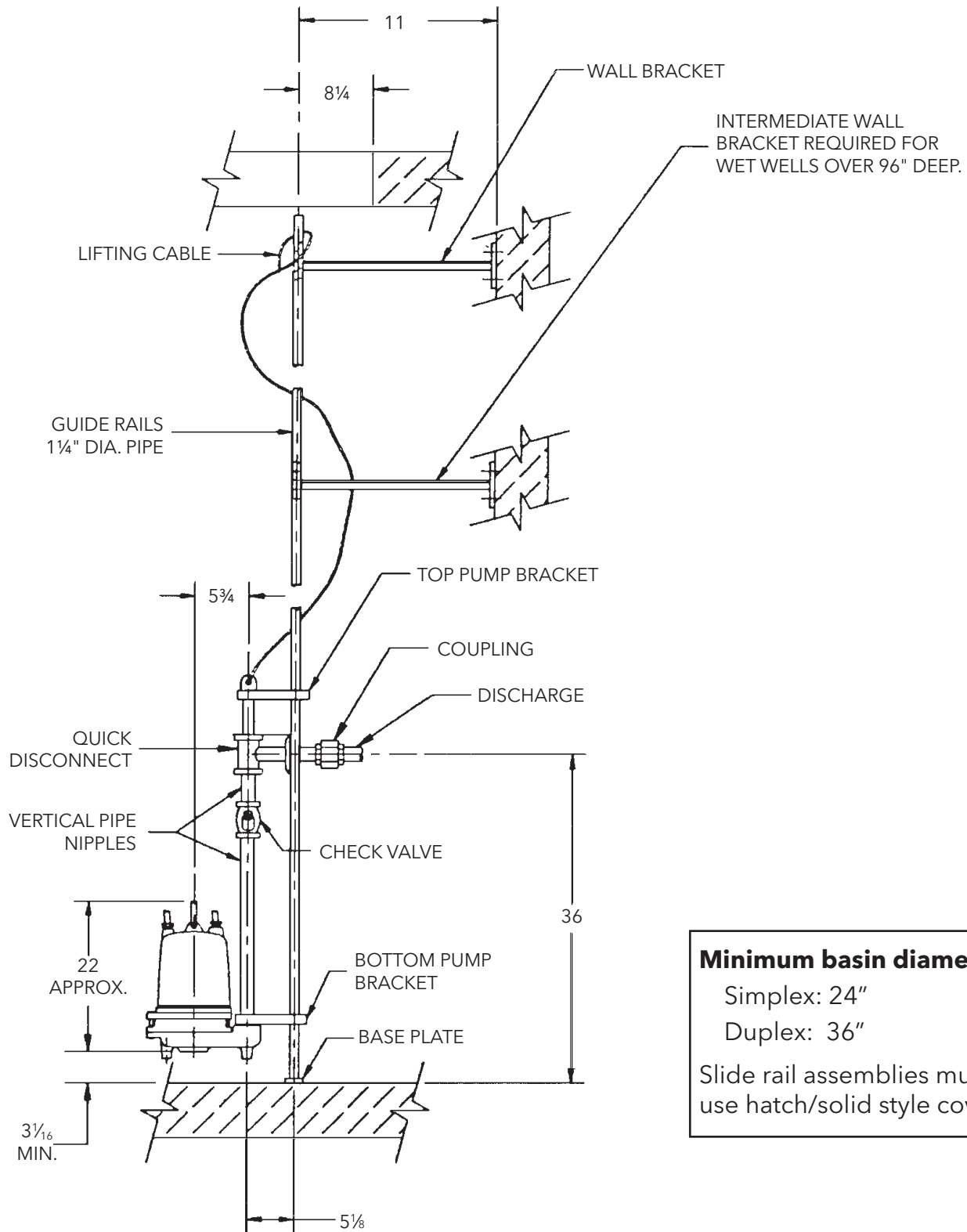
Duplex 3" AND 4" NPT DISCHARGE - Submersible Sewage Pump

TYPICAL INSTALLATION DRAWING



(All dimensions are in inches. Do not use for construction purposes.)

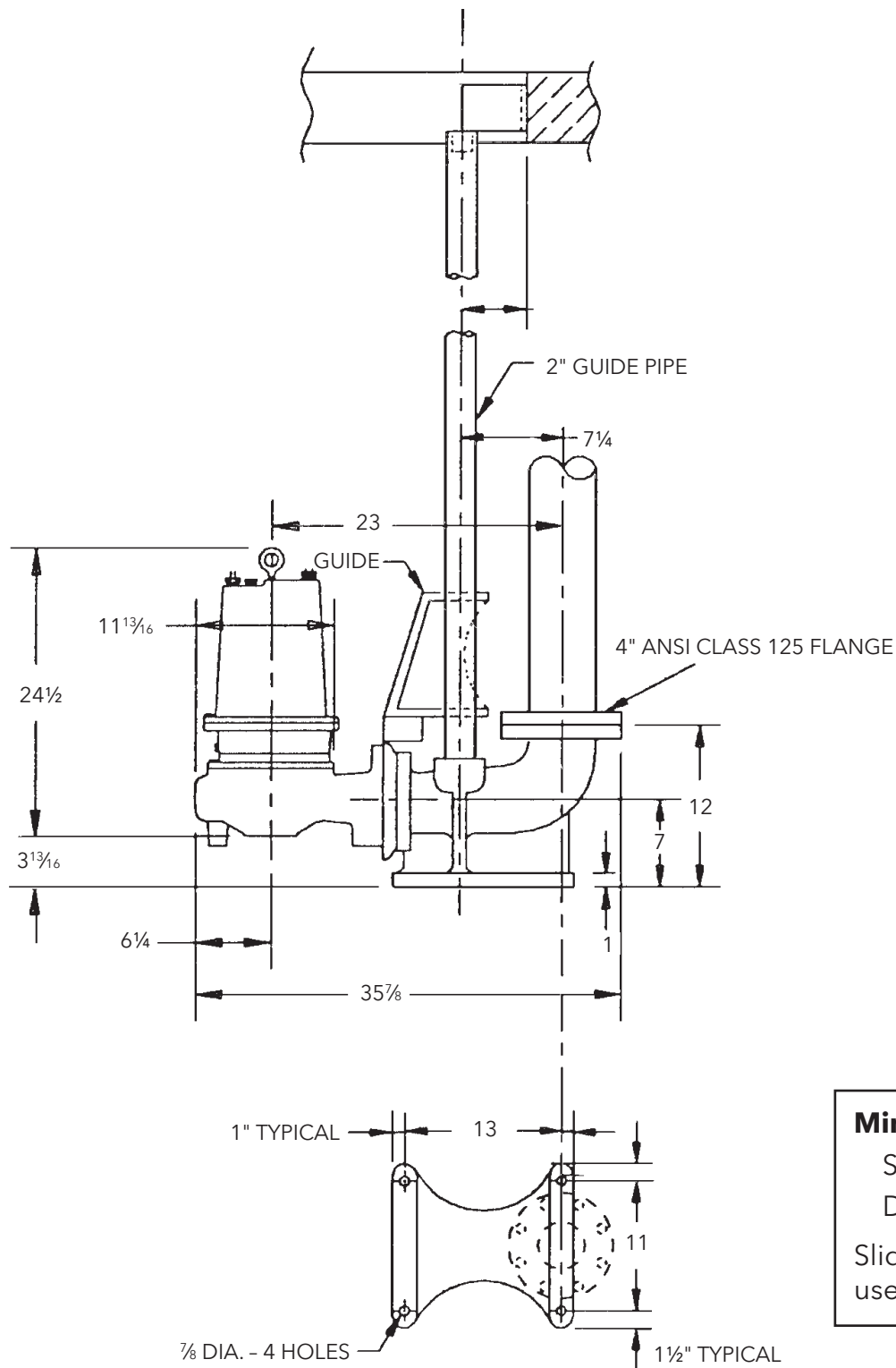
1GD 1 1/4" DISCHARGE SLIDE RAIL (A10-12) - Submersible Grinder Pump TYPICAL INSTALLATION DRAWING



Minimum basin diameters
 Simplex: 24"
 Duplex: 36"
 Slide rail assemblies must use hatch/solid style covers.

(All dimensions are in inches. Do not use for construction purposes.)
 **To use catalog 1 1/4" Duplex Discharge Piping.

3SD TYPICAL INSTALLATION DRAWING



Minimum basin diameters

Simplex: 36"

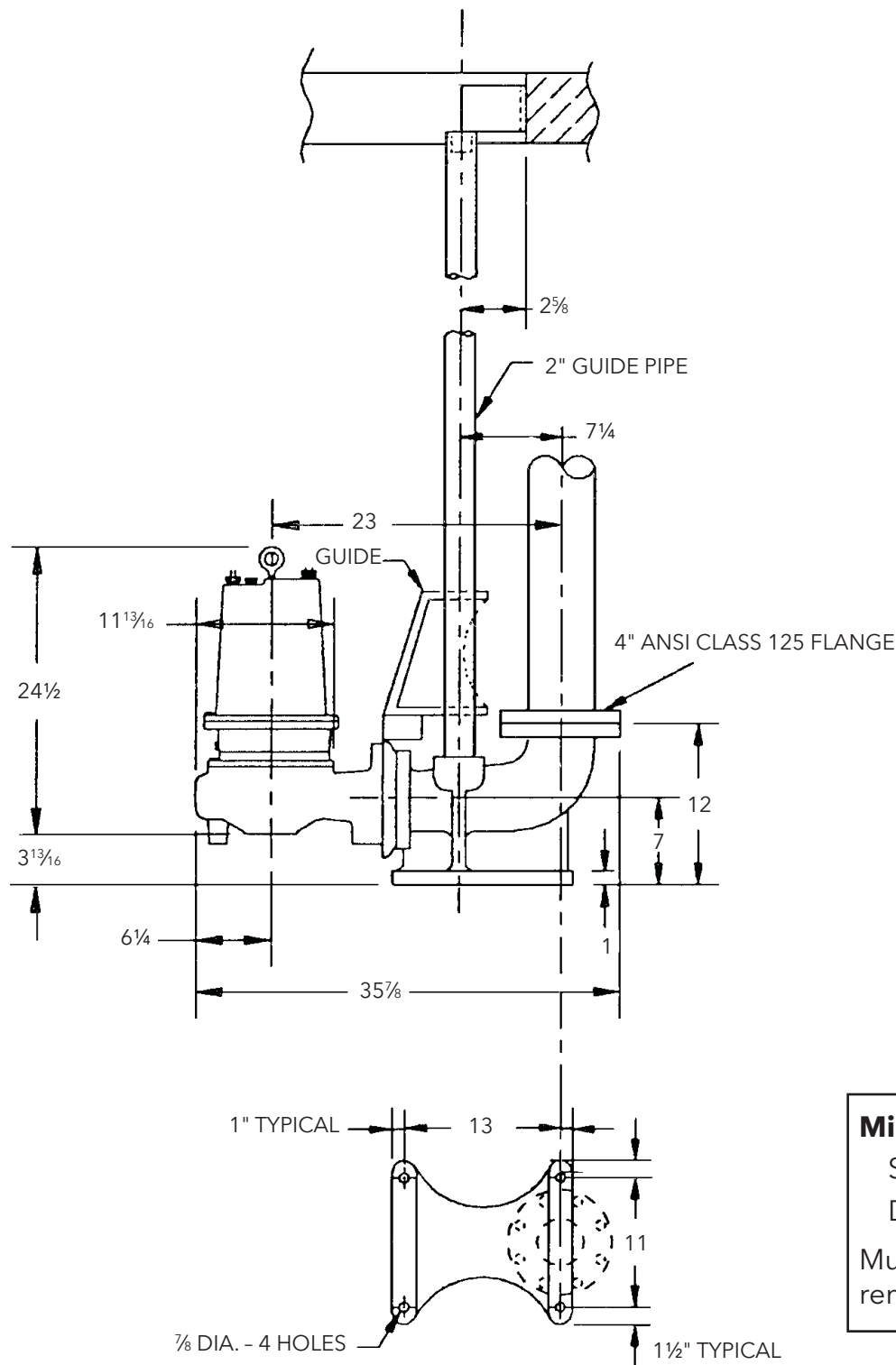
Duplex: 48"

Slide rail assemblies must use hatch door style covers.

(All dimensions are in inches. Do not use for construction purposes.)

3888D4/4SD WITH A10-40 GUIDE RAIL - Submersible Sewage Pump

TYPICAL INSTALLATION DRAWING



Minimum basin diameters

Simplex: 36"

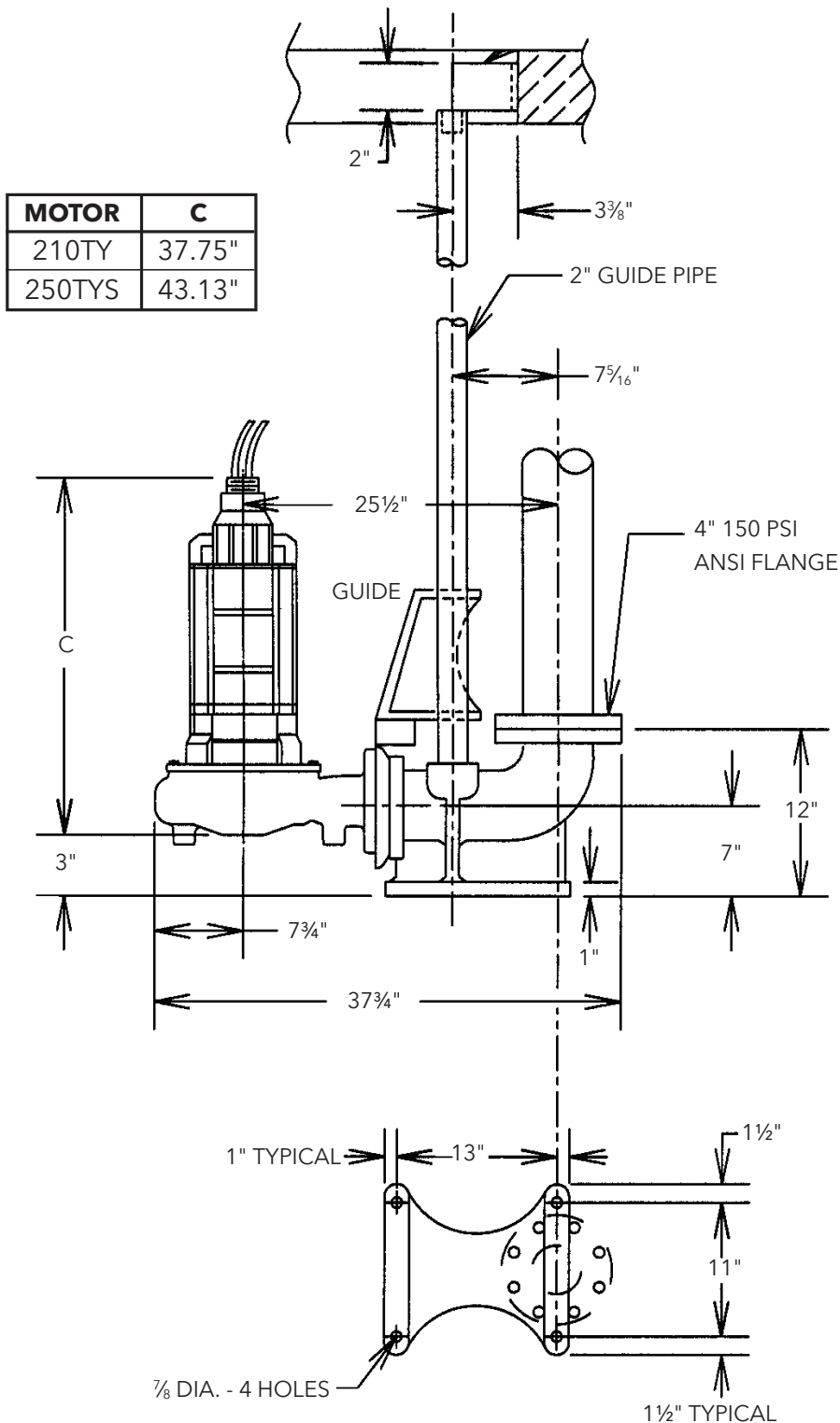
Duplex: 48"

Must use hatch cover to remove slide rail assemblies.

(All dimensions are in inches. Do not use for construction purposes.)

4NS/4XD ON A10-40 GUIDE RAIL - Submersible Sewage Pump

TYPICAL INSTALLATION DRAWING



Minimum basin diameters

Simplex: 36"

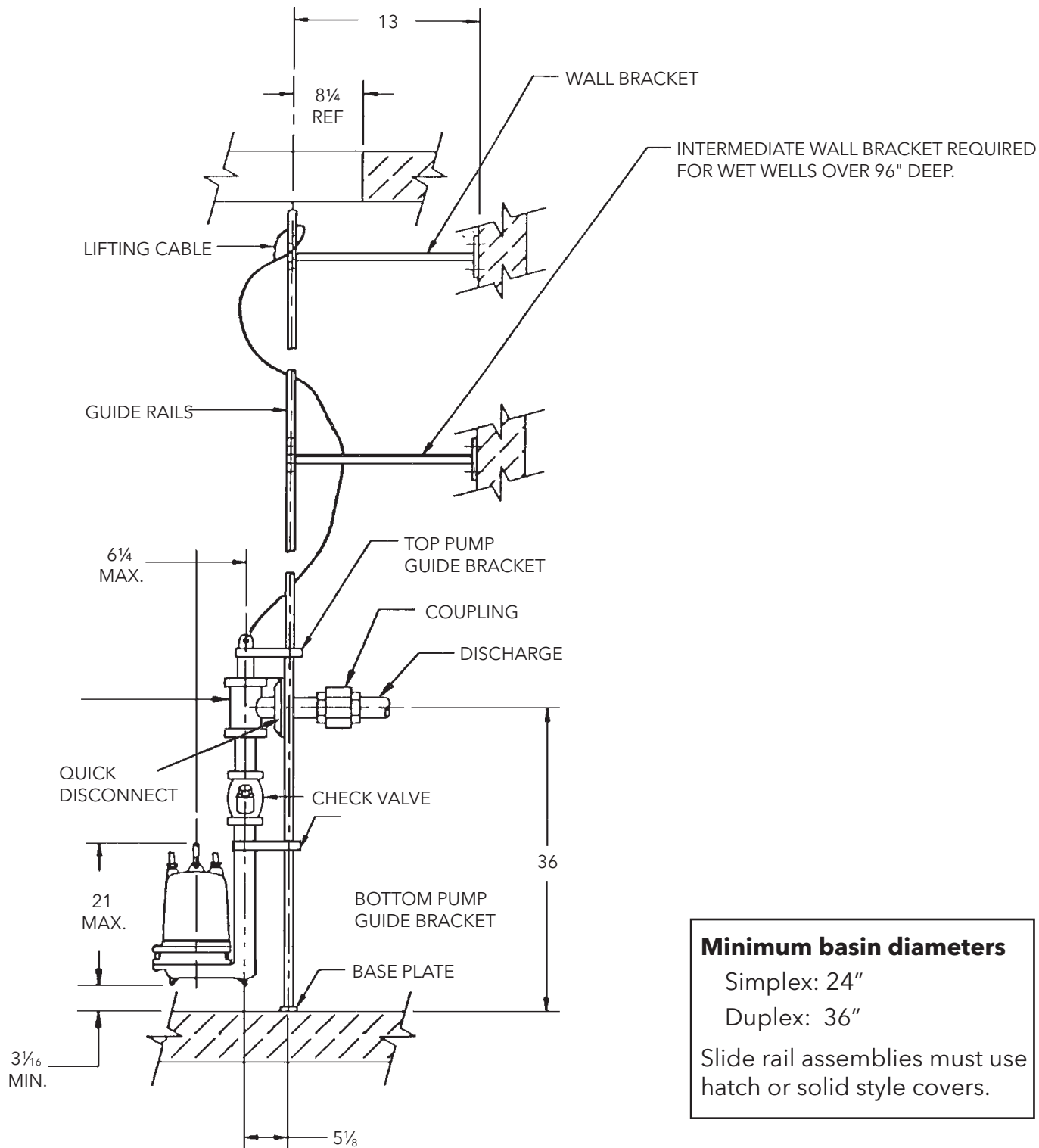
Duplex: 48"

Slide rail assemblies must use hatch door style covers.

(All dimensions are in inches. Do not use for construction purposes.)

2ED/2WD A10-20 SLIDE RAIL - Submersible Sewage Pump

TYPICAL INSTALLATION DRAWING



Minimum basin diameters
 Simplex: 24"
 Duplex: 36"
 Slide rail assemblies must use hatch or solid style covers.

(All dimensions are in inches. Do not use for construction purposes.)

**To use Catalog 2" Duplex Discharge Piping

Xylem |'zīləm|

- 1) The tissue in plants that brings water upward from the roots;
- 2) a leading global water technology company.

We're 12,500 people unified in a common purpose: creating innovative solutions to meet our world's water needs. Developing new technologies that will improve the way water is used, conserved, and re-used in the future is central to our work. We move, treat, analyze, and return water to the environment, and we help people use water efficiently, in their homes, buildings, factories and farms. In more than 150 countries, we have strong, long-standing relationships with customers who know us for our powerful combination of leading product brands and applications expertise, backed by a legacy of innovation.

For more information on how Xylem can help you, go to www.xylem.com

Xylem Inc.

2881 East Bayard Street Ext., Suite A, Seneca Falls, NY 13148

Phone: (866) 325-4210 Fax: (888) 322-5877

www.xylem.com/brands/gouldswatertechnology

