

**REPAIR PARTS**

RGB R3

**GB** REPAIR PARTS



 **GOULDS**  
WATER TECHNOLOGY  
a xylem brand

### GB NUMBERING SYSTEM

The various versions of the Series GB are identified by a product code number on the pump label. This number is also the catalog number for the pump. The meaning of each digit in the product code number is shown below. The following are the standard 60 Hz product numbers and are built with Single Phase ODP motors and standard staging. The cast iron version uses Seal Code 0 and the stainless version uses Seal Code 4.

Order No.		Description				
Cast Iron	Stainless	HP	Phase	Voltage	Enclosure	Stages
5GBC03	5GBS03	1/3 ①	1	115-230	ODP	7
5GBC05	5GBS05	1/2				9
5GBC07	5GBS07	3/4				14
5GBC10	5GBS10	1				17
7GBC05	7GBS05	1/2				9
7GBC07	7GBS07	3/4				13
7GBC10	7GBS10	1				16
10GBC07	10GBS07	3/4				8
10GBC10	10GBS10	1				10
10GBC15	10GBS15	1 1/2				15
10GBC20	10GBS20	2		17		
18GBC07	18GBS07	3/4		5		
18GBC10	18GBS10	1		7		
18GBC15	18GBS15	1 1/2		9		
18GBC20	18GBS20	2		13		
18GBC30	18GBS30	3		15		
25GBC07	25GBS07	3/4		5		
25GBC10	25GBS10	1		7		
25GBC15	25GBS15	1 1/2		9		
25GBC20	25GBS20	2		10		
25GBC30	25GBS30	3	14			
33GBC10	33GBS10	1	5			
33GBC15	33GBS15	1 1/2	7			
33GBC20	33GBS20	2	9			
33GBC30	33GBS30	3	13			

① Unit is supplied with 1/2 HP motor.

\* 3 HP - 230V

### GB NUMBERING SYSTEM

For optional motor enclosures, seals and three phase configurations use the following product code system.

#### Example Code

5 GB C 05 1 5 J 0

#### MECHANICAL SEAL AND O-RING

0 = Standard on Cast Iron and 4 = Standard on Stainless Steel.

For Optional Mechanical Seal modify catalog order no. with Seal Code listed below.

Mechanical Seal (5/8" seal)						
Seal Code	Rotary	Stationary	Elastomers	Metal Parts	Part No.	Casing O-Ring
0		Ceramic	BUNA	18-8SS	10K10	BUNA
3	Carbon	Sil-Carbide	EPR	316SS	10K18	EPR
4			Viton		10K55	Viton

#### NUMBER OF STAGES

A = 1 D = 4 G = 7 K = 10 N = 13 R = 16 U = 19 X = 22  
 B = 2 E = 5 H = 8 L = 11 P = 14 S = 17 V = 20 Y = 23  
 C = 3 F = 6 J = 9 M = 12 Q = 15 T = 18 W = 21 Z = 24

#### DRIVER

1 = 1 PH, ODP                      4 = 1 PH, TEFC                      7 = 3 PH, TEPE                      A = 3 PH, 575V ODP PE  
 2 = 3 PH, ODP                      5 = 3 PH, TEFC                      8 = 3 PH, 575V TEPE  
 3 = 3 PH, 575V ODP                  6 = 3 PH, 575V TEFC                  9 = 3 PH, ODP PE

#### DRIVER: HERTZ/POLE/RPM

1 = 60 Hz, 2 pole, 3500 RPM  
 2 = 50 Hz, 2 pole, 2900 RPM

#### HP RATING

03 = 1/8 HP                      10 = 1 HP                      50 = 5 HP                      **Note:** 1/8 HP Single Phase unit  
 05 = 1/2 HP                      20 = 2 HP                      is supplied with 1/2 HP motor.  
 07 = 3/4 HP                      30 = 3 HP

#### MATERIAL - DISCHARGE, HEAD AND SUCTION HOUSING

C = Cast Iron  
 S = Stainless Steel

#### PUMP MODEL

GB

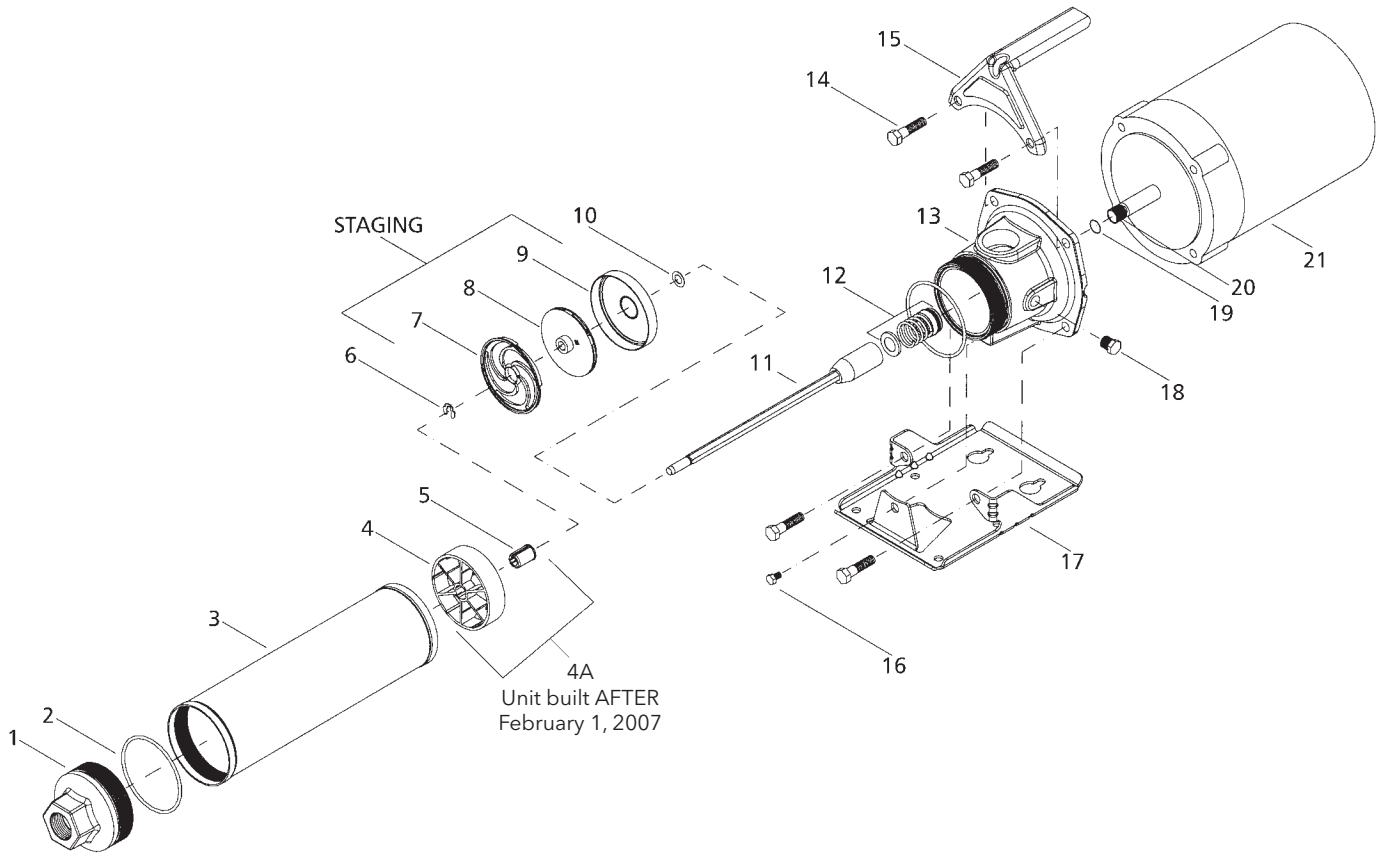
#### GALLONS PER MINUTE

5 7 10 18 25 33

**Note:** Not recommended for operation beyond recommended range specified on H-Q curve.

For critical application conditions consult factory.

**Note:** Not all combinations of motor, impeller and seal options are available for every pump model. Please check with Goulds Pumps on non-cataloged numbers.



### Models Built BEFORE February 1, 2007

Item No.	Description	Material	Quantity	HP	GB5	GB7	GB10	GB18	GB25	GB33
3	Casing	304SS	1	1/3	7K1796					
				1/2	7K1797	7K1800				
				3/4	7K1865	7K1799	7K1803	7K1807	7K1811	
				1	7K1806	7K1801	7K1804	7K1808	7K1812	7K2474
				1 1/2			7K1805	7K1798	7K1813	7K2571
				2			7K1806	7K1809	7K1814	7K2475
				3				7K1810	7K1815	7K2476
				5						7K2477
4	Bearing Spider	GF Polycarbonate	ALL	7K1372						
5	Bearing	Urethane		7K1740						

### GB STANDARD REPAIR PARTS LIST Models Built AFTER February 1, 2007

HP	Current Models					
	GB5	GB7	GB10	GB18	GB25	GB33
	Number of Stages					
1/3	7					
1/2	9	9				
3/4	14	13	8	5	5	
1	17	16	10	7	7	5
1 1/2			15	9	9	7
2			17	13	10	9
3				15	14	13
5						19

Item No.	Description	Material	Qty.	HP	Part Number						
1	Discharge Head	Cast Iron 304SS	1	All	1K343						
2	O-Ring Casing	Standard BUNA	2		1K347						
		Optional EPR			5K225						
		Optional Viton			5K281						
					5K282						
3	Casing	304SS	1	1/3	7K2999						
				1/2	7K3000	7K3003					
				3/4	7K3023	7K3002	7K3006	7K3010	7K3014		
				1	7K3009	7K3004	7K3007	7K3011	7K3015	7K3045	
				1 1/2			7K3008	7K3001	7K3016	7K3053	
				2			7K3009	7K3012	7K3017	7K3046	
				3				7K3013	7K3018	7K3047	
			5					7K3048			
4A	Bearing and Spider Assembly	GF Eng. Comp.	= staging	All	7K2676						
6	Klip Ring	301SS			7K817						
7	Diffuser	GF Polycarbonate			7K1750	7K995	7K17	7K20	7K20	7K1590	
8	Impeller				7K1837	7K1343	7K35	7K1334	7K19	7K1739	
9	Bowl				7K1838	7K478	7K478	7K858	7K18	7K1584	
10	Shim	304SS	Varies	7K155							
11	Shaft/Coupling Assembly		1/3	7K1816							
			1/2	7K1817	7K1820						
			3/4	7K1863	7K1819	7K1823	7K1827	7K1831			
			1	7K1826	7K1821	7K1824	7K1828	7K1832	7K2465		
			1 1/2			7K1825	7K1818	7K1833	7K2561		
			2			7K1826	7K1829	7K1834	7K2464		
			3			7K1830	7K1835	7K2463			
			5					7K2462			
12	Mechanical Seal	See Mechanical Seal Chart on page 1 in the GB Number System									
13	Motor Adapter	Cast Iron	1	All	1K615						
		304SS			1K348						
14	Screw, motor to motor adapter	Steel	4		13K69						
15	Handle				4K452						
16	Screw, base to motor adapter	304SS	1		13K257						
17	Base	Steel			4K451						
18	Pipe Plug	316SS			6K2						
					6K141						
19	O-Ring Coupling	Standard BUNA	1		5K283						
		Optional EPR			5K284						
		Optional Viton		5K285							
20	Deflector	BUNA		5K7							
21	Motor	See Repair Part Motor List Below									
22	Power Cord (Not shown)	14-3 SJO or SJOW/SJOW-A	1	All	4K191						

### REPAIR MOTORS FOR MODEL GB BOOSTER PUMPS

#### SINGLE-PHASE, 60 HZ, 56J FRAME

New Order No.	New Voltage	New Maximum (SF) Amps	S.F.	New Weight (lbs.)
E04853S	115/208-230	10.8/5.9-5.4	1.6	21
E05853S	115/208-230	14.0/7.5-7.0	1.5	21.1
E06853S	115/208-230	17.4/9.0-8.7	1.4	22.3
E07858S	115/208-230	21.2/11.1-10.6	1.3	27.7
E08854BBS	115/208-230	26.0/13.6-13.0	1.25	42.1
E09854BBS	208-230	16.0-14.0	1.15	38.8
E04821S	115/208-230	10.0/5.2-5.0	1.6	28
E05821S	115/208-230	12.8/6.7-6.4	1.5	28.5
E06821S	115/208-230	15.0/8.3-7.4	1.4	28.7
E07821S	115/208-230	20.0/11.0-10.0	1.3	38
E08821BBS	115/208-230	22.8/11.7-11.4	1.25	42.1
E09821BBS	208-230	15.0-14.0	1.15	47

#### THREE-PHASE, 60 HZ, 56J FRAME

New Order No.	New Voltage	New Maximum (SF) Amps	S.F.	New Weight (lbs.)
E04873S	208-230/460	2.6-2.4/1.2	1.6	23.5
E05873S	208-230/461	3.7-3.6/1.8	1.5	23.8
E06873S	208-230/462	4.4-4.2/2.1	1.4	24.1
E07878S	115/208-230	21.2/11.1-10.6	1.3	27.7
F08032E1HB8G	208-230/460	6.8-6.4/3.2	1.2	31
E09874BBS	208-230/460	9.6-9.4/4.7	1.15	39.4
E04876S	208-230/460	2.8-2.7/1.35	1.6	26
E05876S	208-230/460	3.7-3.6/1.8	1.5	26.2
E06876S	208-230/460	4.4-4.2/2.1	1.4	26.7
E07D32E5HB4G	208-230/460	5.6-5.4/2.7	1.3	27
F08D32E5HB3G	208-230/460	7.1-6.6/3.3	1.25	33.1
F09D32E5HB2G	208-230/460	9.6-8.6/4.3	1.15	10

All motors impacted by the DoE are in the process of being updated.

## NOTES

# Xylem |'zīləm|

- 1) The tissue in plants that brings water upward from the roots;
- 2) a leading global water technology company.

We're a global team unified in a common purpose: creating innovative solutions to meet our world's water needs. Developing new technologies that will improve the way water is used, conserved, and re-used in the future is central to our work. We move, treat, analyze, and return water to the environment, and we help people use water efficiently, in their homes, buildings, factories and farms. In more than 150 countries, we have strong, long-standing relationships with customers who know us for our powerful combination of leading product brands and applications expertise, backed by a legacy of innovation.

**For more information on how Xylem can help you, go to [www.xyleminc.com](http://www.xyleminc.com)**



Xylem Inc.  
2881 East Bayard Street Ext., Suite A  
Seneca Falls, NY 13148  
Phone: (866) 325-4210  
Fax: (888) 322-5877  
[www.gouldswatertechnology.com](http://www.gouldswatertechnology.com)

Goulds is a registered trademark of Goulds Pumps, Inc. and is used under license.  
© 2016 Xylem Inc. RGB R3 July 2016