

REPAIR PARTS

RSES R10

Sump, Effluent and Sewage

REPAIR PARTS

 **GOULDS**
WATER TECHNOLOGY
a xylem brand

INDEX

SUMP, EFFLUENT AND SEWAGE

| | |
|-----------------------------------|----|
| ST | 3 |
| SPBB | 4 |
| PE | 5 |
| 3871 (EP04 & EP05)..... | 6 |
| PS 41/51 | 7 |
| PV51 - Vortex | 8 |
| 3872 (WW05) | 9 |
| 1/2DM, 1/2DV | 10 |
| 1DW | 11 |
| 2DW | 12 |
| 1SC and SE | 13 |
| 3885 (WE --- L, M, H, HH)..... | 15 |
| 2ED | 17 |
| 3886/3887 (WS - B, BF, BHF)..... | 19 |
| 3887BF (WS - BF) | 21 |
| 3887BHF (WS --- BHF) | 22 |
| 2WD/3WD (1725)..... | 23 |
| 2WD/3WD (3500)..... | 25 |
| 3888D3/D4 (WS --- D3, D4)..... | 27 |
| 3SD/4SD | 27 |
| 3SDX/4SDX..... | 29 |
| 1GD | 31 |
| 4NS/4XD | 33 |
| RGS2012 | 35 |
| 1GA/2GA | 36 |
| Submersible Vortex | 37 |
| Control Panel Repair Parts | 38 |
| Oil Volumes | 39 |
| A10-12, A10-2015 and A10-20 | 40 |

Note: Repair Motor List Prices are in the "K", "L" and Numeric Repair Part Price Book.

4K432 OIL SPECIFICATION:
5 gallon can of ASTM 150 Turbine Oil

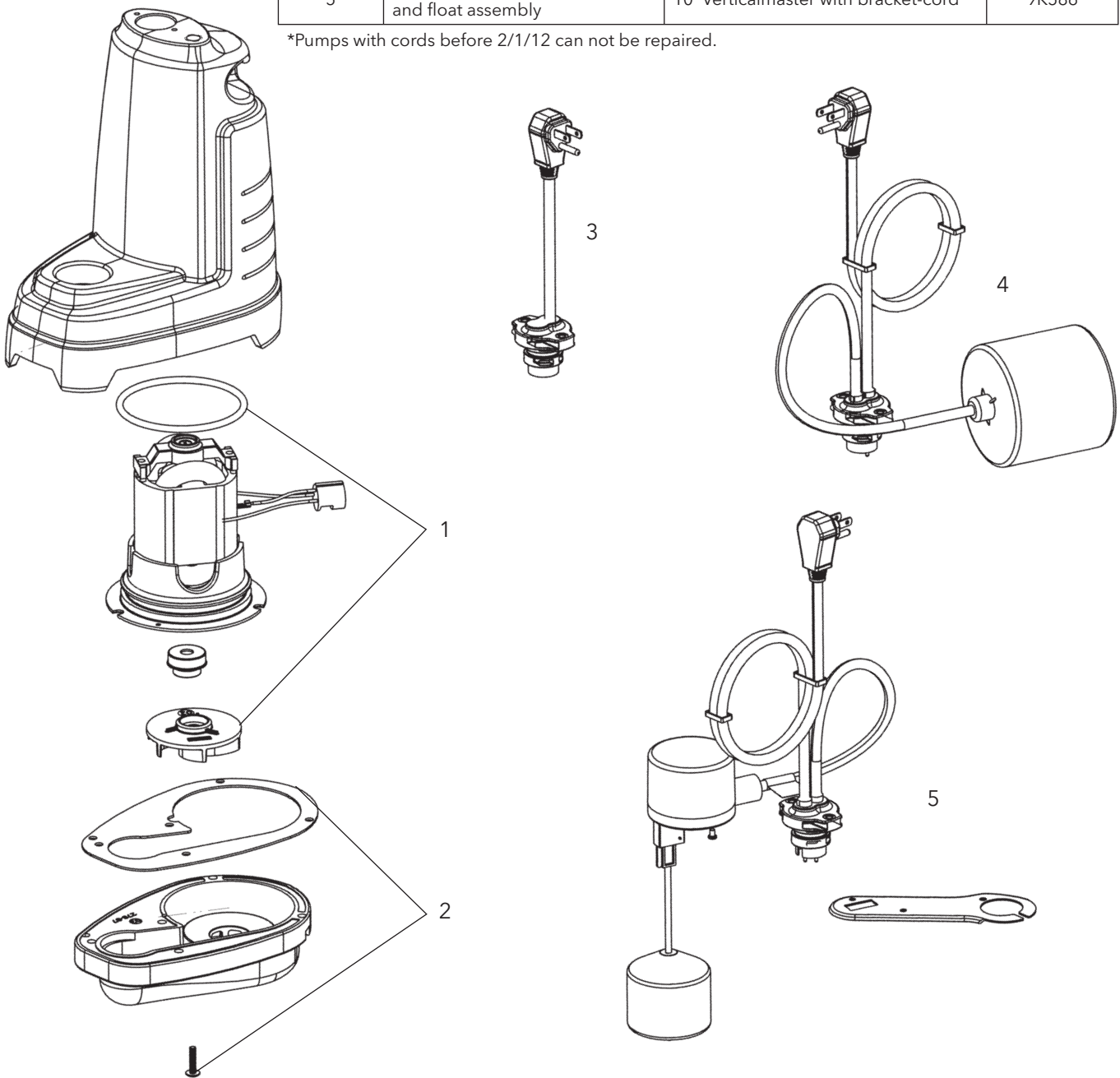
COMPARABLE BRAND NAMES:

| | |
|---------|-----------------------|
| Sunoco | Sunvis 932 |
| Mobil | DTE Light |
| Texaco | Regal R&O 32 |
| Shell | Turbo 32 |
| Gulf | Harmony 32 |
| Amoco | Am. Industries Oil 32 |
| Exxon | Nuto 32 |
| Chevron | GST 32 |

MODEL ST31/51/71

| Item | Part Name | Description | Part No. |
|------|--|---|----------|
| 1 | 1/3 HP Motor Assembly - 115 Volt | Motor, Seal Housing, Receptacle, Jam Nut, O-Ring, Mechanical Seal, Impeller | 15K88 |
| | 1/2 HP Motor Assembly - 115 Volt | | 15K89 |
| | 3/4 HP Motor Assembly - 115 Volt | | 15K90 |
| 2 | Base Assembly | Base, Gasket, Screws | 15K27 |
| 3 | Cord Set - 115 Volt | 10' Cord Set with 5-15P Nema Plug (used with piggyback float) | 9K587 |
| | Cord Set - 115 Volt | 20' Cord Set with 5-15P Nema Plug (used with piggyback float) | 9K588 |
| 4 | Cord Set - 115 Volt and float assembly | 10' Pumpmaster with bracket-cord | 9K593 |
| 5 | Cord Set - 115 Volt and float assembly | 10' Verticalmaster with bracket-cord | 9K586 |

*Pumps with cords before 2/1/12 can not be repaired.



MODEL SPBB/SPBB2

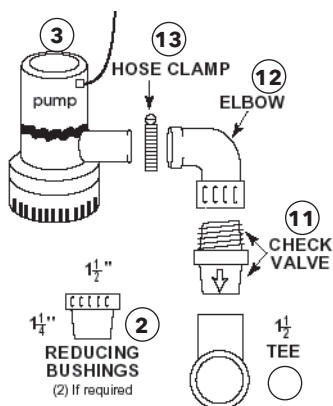


Figure 1

| Item Number | Part Description | Material | Quantity Required | Repair Part SPBB | Repair Part SPBB2 |
|-------------|-----------------------------------|---------------|-------------------|------------------|-------------------|
| 1 | Tee, 1 1/2" Socket | Thermoplastic | 1 | 6K146 | |
| 2 | Reducing Bushing, 1 1/2" x 1 1/4" | Thermoplastic | 2 | 4K499 | |
| 3 | Pump - 2000GPH or 3700GPH | Varies | 1 | 9K318 | 9K499 |
| 4 | Float Switch Assembly | - | 1 | 9K319 | |
| 5 | Fuse Holder | - | 1 | 9K320 | |
| 6 | Fuse - 15 Amps/25 Amps | - | 1 | 9K321 | 9K565 |
| 7 | Wire Terminals | - | 1 | 9K322 | |
| | | | 1 | 9K323 | |
| | | | 2 | 9K324 | |
| | | | 3 | 9K325 | |
| 8 | Terminals - Top Post Battery | - | 2 | 9K326 | |
| 9 | Battery Case | Thermoplastic | 1 | 9K327 | |
| 10 | Charger Assembly | - | 1 | 9K328 | |
| 11 | Check Valve - 1" MPT | Thermoplastic | 1 | 6K147 | 6K174 |
| 12 | Elbow - 1" FPT | Thermoplastic | 1 | 6K148 | 6K175 |
| 13 | Hose Clamp | - | 1 | 4K497 | |
| 14 | Pump / Switch Bracket | - | 1 | 9K329 | |
| 15 | Hose Clamp | - | 1 | 4K498 | |

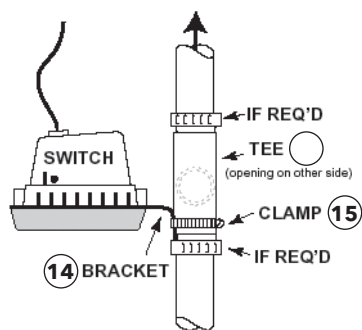


Figure 2

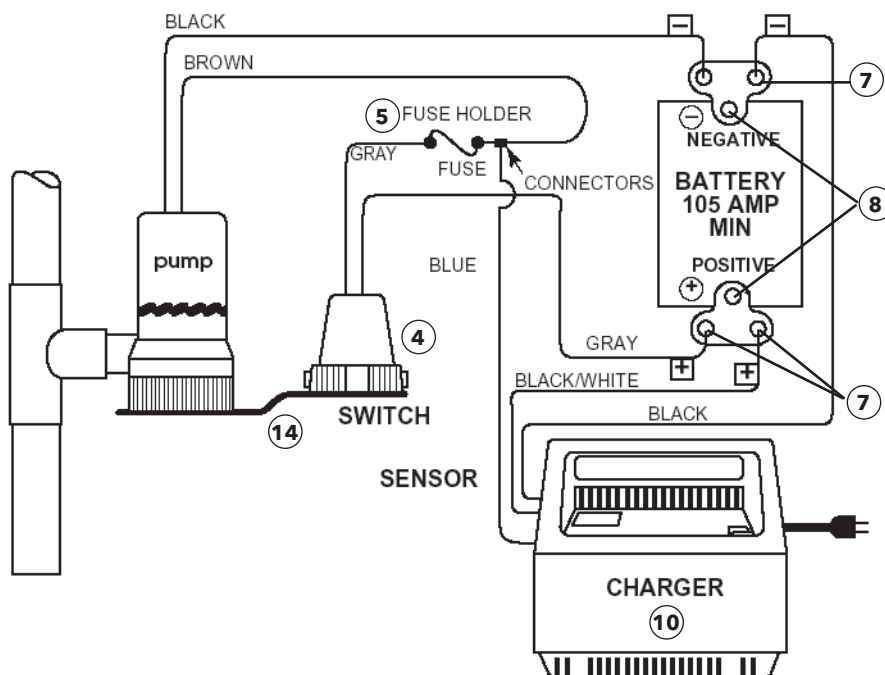


Figure 4

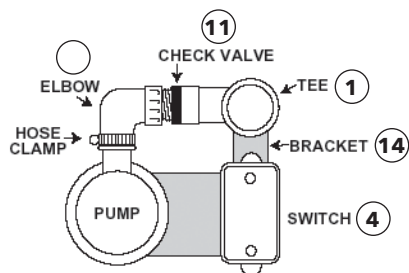
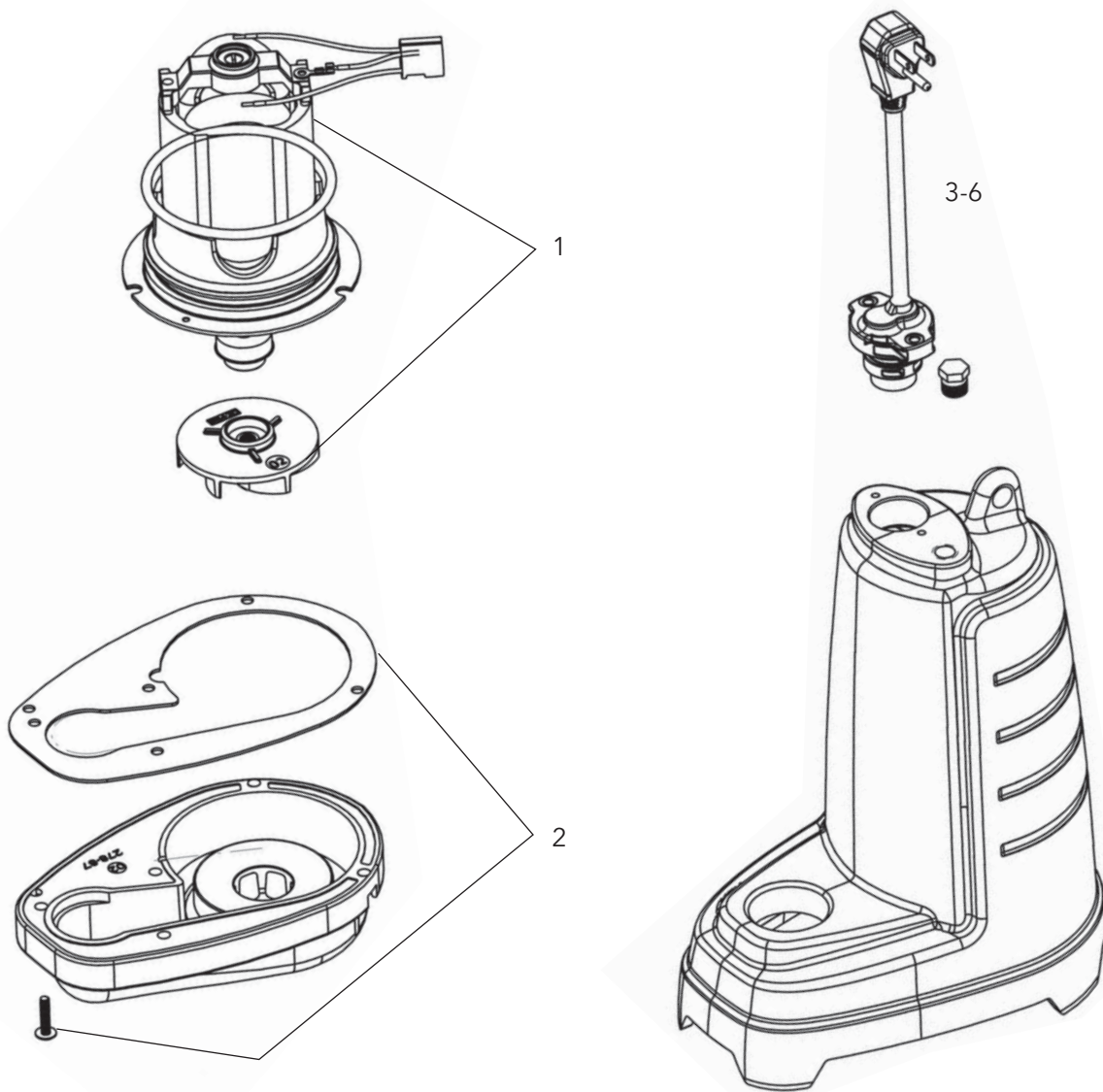


Figure 3

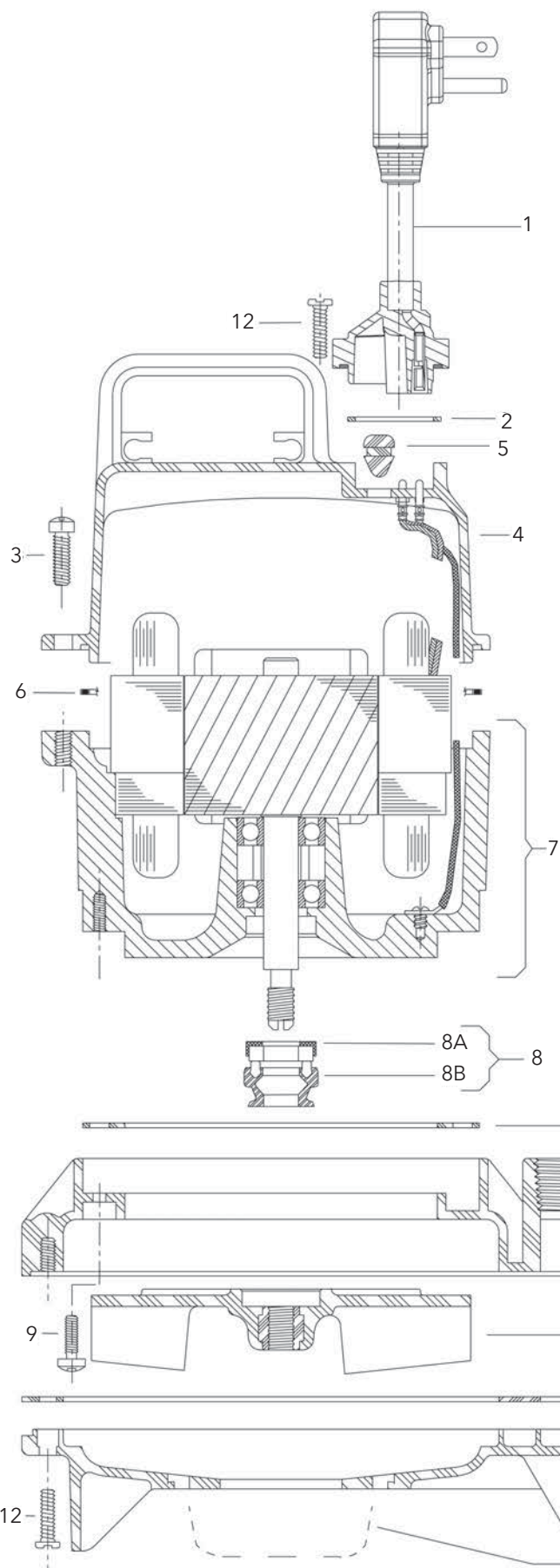
ALL MODELS PE AND ST51/71

| Item No. | Part Name | Description | Before 2/1/12 Part No. | After 2/1/12 Part No. |
|----------|--|---|---|-----------------------|
| 1 | 1/3 HP Motor Assembly - 115V | Motor, Seal Housing, Receptacle, Jam Nut, O-ring, Mechanical Seal, Impeller | 15K26 | 15K88 |
| | 4/10 HP Motor Assembly - 115V | | 15K28 | 15K89 |
| | 1/2 HP Motor Assembly - 115V | | 15K29 | 15K90 |
| | 4/10 HP Motor Assembly - 230V | | 15K45 | 15K93 |
| | 1/2 HP Motor Assembly - 230V | | 15K46 | 15K94 |
| 2 | Base Assembly | Base, Gasket, Screws | 15K27 | 15K27 |
| 3 | Cord Set - 115V | 10' Manual - 115V with 5-15P Nema Plug | 9K372 | 9K587 |
| 4 | | 20' Manual - 115V with 5-15P Nema Plug - Standard | 9K375 | 9K588 |
| 5 | | 30' Manual - 115V with 5-15P Nema Plug | 9K380 | 9K595 |
| 6 | | 50' Manual - 115V with 5-15P Nema Plug | 9K377 | 9K590 |
| | | 30' Pumpmaster - 115V with 5-15P Nema Plug | 9K446 | 9K594 |
| - | | Cord Set - 230V | 20' Manual - 230V with 6-15P Nema Plug - Standard | 9K421 |
| - | 30' Manual - 230V with 6-15P Nema Plug | | 9K422 | 9K592 |
| - | Float Switch - 115V | 10' Pumpmaster with Hardware - 115V, 13A | A2D11 | A2D11 |
| | | 20' Pumpmaster with Hardware - 115V, 13A | A2D31 | A2D31 |
| | | 30' Pumpmaster with Hardware - 115V, 13A | A2D51 | A2D51 |
| - | Float Switch - 230V | 20' Pumpmaster with Hardware - 230V, 13A | A2D32 | A2D32 |
| | | 30' Pumpmaster with Hardware - 230V, 13A | A2D52 | A2D52 |

*Pumps with cords before 2/1/12 can not be repaired.



MODEL 3871 - EP04/EP05 Series

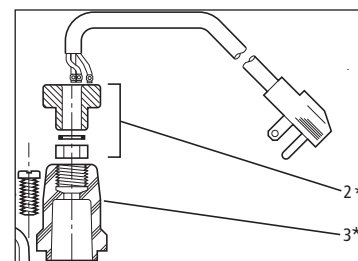


| Item No. | Part Description | Material | Qty. Req. | Before 2/1/12 Part No. | After 2/1/12 Part No. |
|----------|-------------------------------------|------------------------|-----------|------------------------|-----------------------|
| 1 | 10' Cord Set with Plug - 115 V | SJTOW - 16/3 | 1 | 9K207 | 9K531 |
| | 10' Cord Set with Plug - 230 V | | | 9K208 | 9K532 |
| | 20' Cord Set with Plug - 115 V | | | 9K533 | 9K533 |
| | 20' Cord Set with Plug - 230 V | | | 9K210 | 9K534 |
| | 30' Cord Set with Plug - 115 V* | | | 9K403 | 9K536 |
| 2* below | Strain Relief Assembly, Cord Set | Varies | 1 | 5K113 | not needed |
| 3* below | Gland Nut Housing | Thermoplastic | 1 | 9K226 | not needed |
| 2 | O-ring - gland nut housing | Buna-N, AS 568A-024 | 1 | 5K197 | 5K197 |
| 3 | Fillister Head Screw - Motor Cover | AISI 300 SS | 4 | 13K347 | 13K347 |
| 4 | Motor Cover | Thermoplastic | 1 | 1K257 | 1K257 |
| 5 | Oil Plug Grommet | Buna-N | 1 | 6K87 | 6K87 |
| 6 | O-ring - Motor Cover | Buna-N, AS 568A-161 | 1 | 5K196 | 5K196 |
| 7 | Motor Assembly - 115V, 4/10 HP | Varies | 1 | 1K282 | 1K282 |
| | Motor Assembly - 230V, 4/10 HP | | | 1K283 | 1K283 |
| | Motor Assembly - 115 V, 1/2 HP | | | 1K284 | 1K284 |
| | Motor Assembly - 230 V, 1/2 HP | | | 1K285 | 1K285 |
| 8A | Stationery Mechanical Seal Assembly | Carbon/Ceramic | 1 | 10K32 | 10K32 |
| 8B | Rotary Mechanical Seal Assembly | | | | |
| 9 | Fillister Head Screw - Casing | AISI 300 SS | 4 | 13K347 | 13K347 |
| 10 | Casing | Thermoplastic | 1 | 1K233 | 1K233 |
| 11 | Impeller - (EP04 - 4/10 HP) | Thermoplastic | 1 | 2K498 | 2K498 |
| | Impeller - (EP05 - 1/2 HP) | | | 2K731 | 2K731 |
| 12 | Thread Forming Screw | AISI 300 SS | 10 | 13K243 | 13K243 |
| 13 | Base | Thermoplastic | 1 | 1K258 | 1K258 |
| 14 | Insulating Oil - see note below | Turbine Oil - ATSM 150 | - | 4K432 | 4K432 |
| 15 | Gasket - Motor Adapter | Composite | 1 | 5K182 | 5K182 |
| 16 | Gasket - Casing | Composite | 1 | 5K219 | 5K219 |
| 17 | Strainer | Thermoplastic | 1 | 4K528 | 4K528 |

Item No. 7 includes motor adapter, rotor, stator, tolerance ring, ground wire and ground screw.

4/10 HP - 1 quart of insulating oil required.

1/2 HP - .85 quarts of insulating oil required.



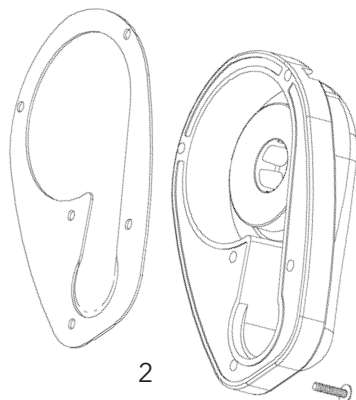
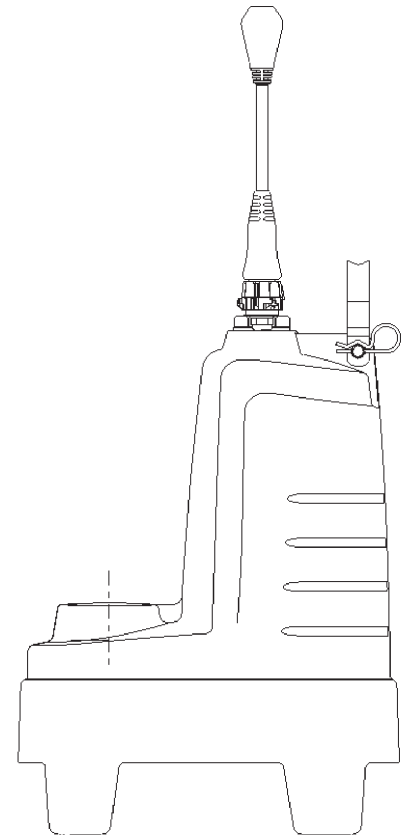
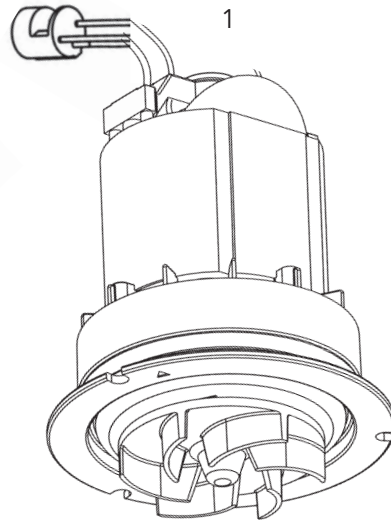
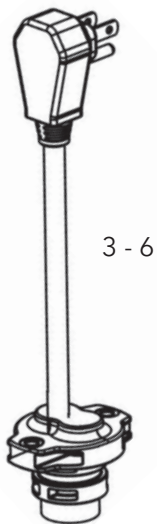
* Not needed after 2/1/2012.

NOTE: Pump with cord sets previous to 2/1/2012 can not be repaired after 2/1/2012.

NOTE: After 5/11, new cord design eliminates gland as separate component.

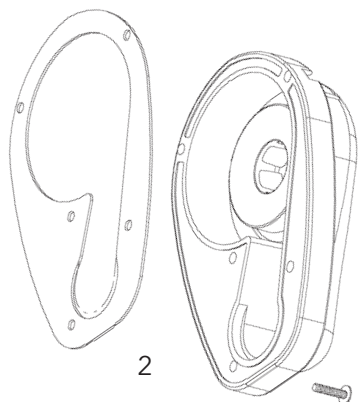
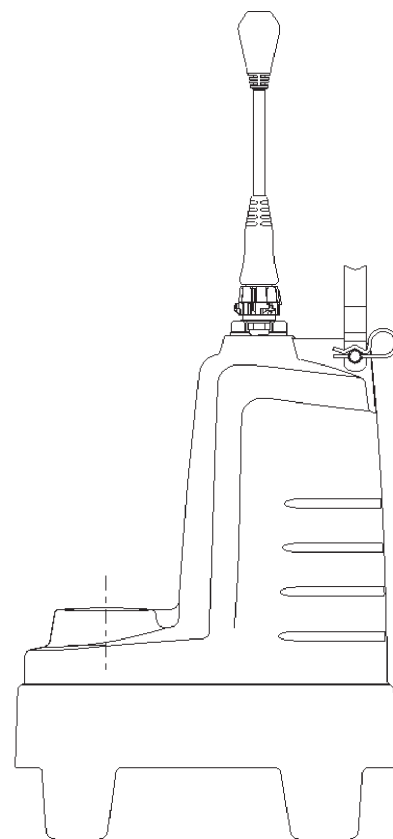
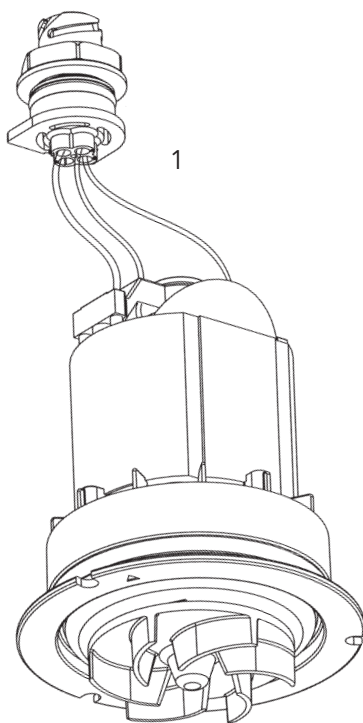
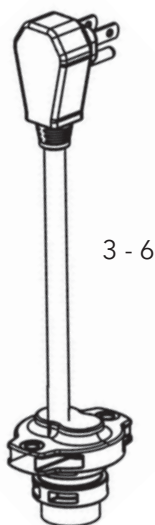
MODEL PS41, 51

| Item Number | Part Name | Description | Before 2/1/12 Part Number | After 2/1/12 Part Number |
|-------------|--|---|---|--------------------------|
| 1 | 4/10 HP Motor Assembly - 115V | Motor, Seal Housing, Receptacle, Jam Nut, O-ring, Mechanical Seal, Impeller | 15K30 | 15K91 |
| | 1/2 HP Motor Assembly - 115V | | 15K31 | 15K92 |
| | 4/10 HP Motor Assembly - 230V | | 15K47 | 15K95 |
| | 1/2 HP Motor Assembly - 230V | | 15K48 | 15K96 |
| 2 | Base Assembly | Base, Gasket, Screws | 15K39 | 15K39 |
| 3 | Cord Set - 115V | 10' Manual - 115V with 5-15P Nema Plug | 9K372 | 9K587 |
| 4 | | 20' Manual - 115V with 5-15P Nema Plug - Standard | 9K375 | 9K588 |
| 5 | | 30' Manual - 115V with 5-15P Nema Plug | 9K380 | 9K595 |
| 6 | | 50' Manual - 115V with 5-15P Nema Plug | 9K377 | 9K590 |
| | | 30' Pumpmaster - 115V with 5-15P Nema Plug | 9K446 | 9K594 |
| - | | Cord Set - 230V | 20' Manual - 230V with 6-15P Nema Plug - Standard | 9K421 |
| - | 30' Manual - 230V with 6-15P Nema Plug | | 9K422 | 9K592 |
| - | Float Switch - 115V | 10' Pumpmaster with Hardware - 115V, 13A | A2D11 | A2D11 |
| | | 20' Pumpmaster with Hardware - 115V, 13A | A2D31 | A2D31 |
| | | 30' Pumpmaster with Hardware - 115V, 13A | A2D51 | A2D51 |
| - | Float Switch - 230V | 20' Pumpmaster with Hardware - 230V, 13A | A2D32 | A2D32 |
| | | 30' Pumpmaster with Hardware - 230V, 13A | A2D52 | A2D52 |

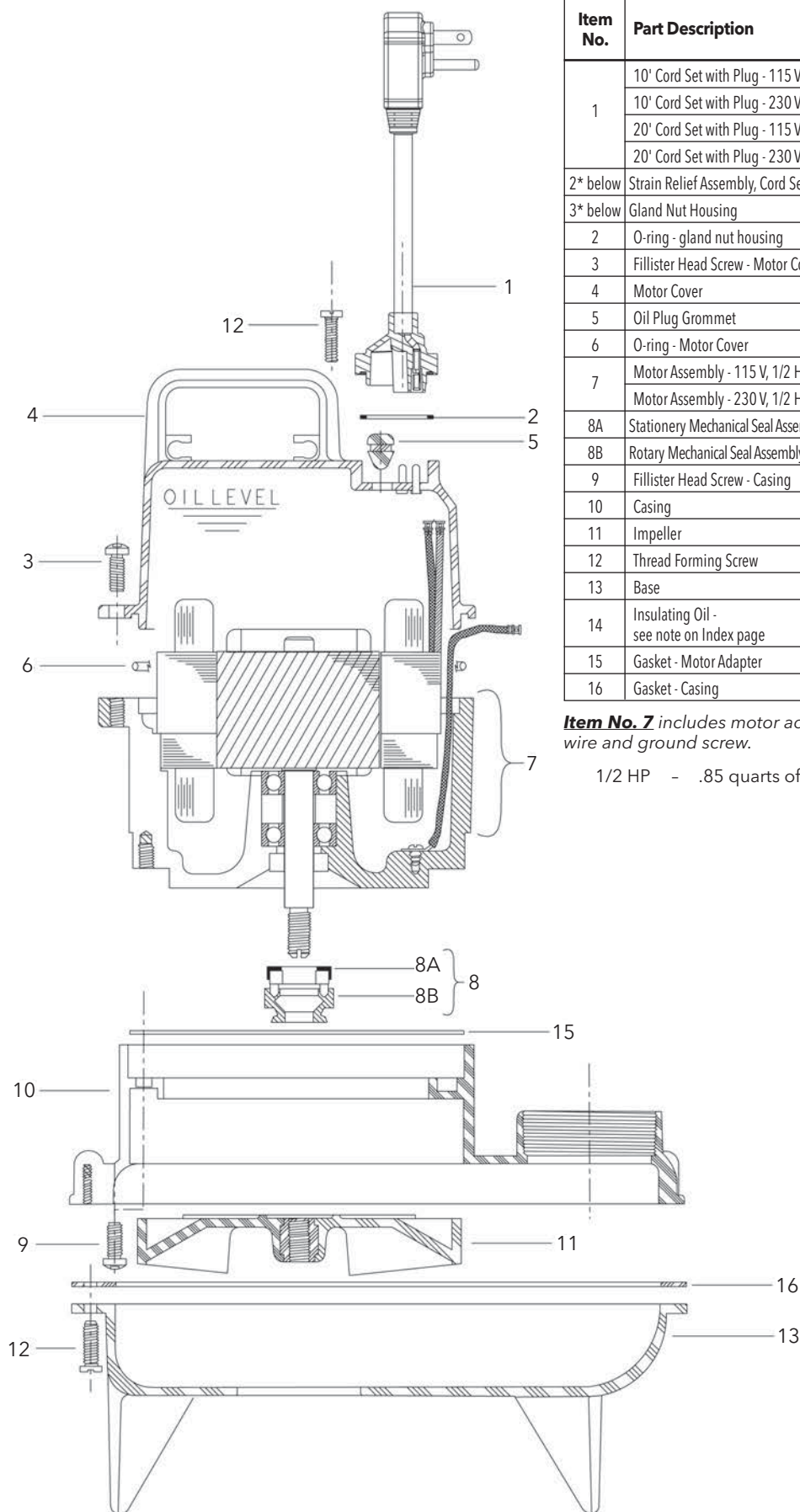


MODEL PV51 - Vortex

| Item Number | Part Name | Description | Before 2/1/12 Part Number | After 2/1/12 Part Number | |
|-------------|--|---|---|--------------------------|-------|
| 1 | ½ HP Motor Assembly - 115V | Motor, Seal Housing, Receptacle, Jam Nut, O-Ring, Mechanical Seal, Impeller | 15K58 | 15K102 | |
| | ½ HP Motor Assembly - 230V | | 15K59 | 15K104 | |
| | ¾ ₁₀ HP Motor Assembly - 115V | | | 15K101 | |
| | ¾ ₁₀ HP Motor Assembly - 230V | | | 15K103 | |
| 2 | Base Assembly | Base, Gasket, Screws | 15K57 | 15K57 | |
| 3 | Cord Set - 115V | 10' Manual - 115V with 5-15P Nema Plug | 9K372 | 9K587 | |
| 4 | | 20' Manual - 115V with 5-15P Nema Plug - Standard | 9K375 | 9K588 | |
| 5 | | 30' Manual - 115V with 5-15P Nema Plug | 9K380 | 9K595 | |
| 6 | | 50' Manual - 115V with 5-15P Nema Plug | 9K377 | 9K590 | |
| 7 | | 30' Pumpmaster - 115V with 5-15P Nema Plug | 9K446 | 9K594 | |
| 8 | | Cord Set - 230V | 20' Manual - 230V with 6-15P Nema Plug - Standard | 9K421 | 9K591 |
| 9 | | | 30' Manual - 230V with 6-15P Nema Plug | 9K422 | 9K592 |
| 10 | Float Switch - 115V | 10' Pumpmaster with Hardware - 115V, 13A | A2D11 | A2D11 | |
| | | 20' Pumpmaster with Hardware - 115V, 13A | A2D31 | A2D31 | |
| | | 30' Pumpmaster with Hardware - 115V, 13A | A2D51 | A2D51 | |
| 11 | Float Switch - 230V | 20' Pumpmaster with Hardware - 230V, 13A | A2D32 | A2D32 | |
| | | 30' Pumpmaster with Hardware - 230V, 13A | A2D52 | A2D52 | |



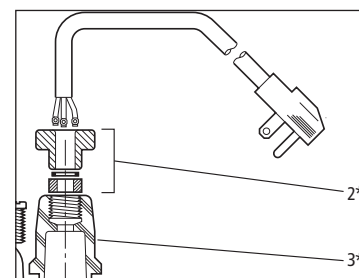
MODEL 3872 - WW05 Series



| Item No. | Part Description | Material | Qty. Req. | Before 2/1/12 Part No. | After 2/1/12 Part No. |
|----------|---|------------------------|-----------|------------------------|-----------------------|
| 1 | 10' Cord Set with Plug - 115 V | SJTOW - 16/3 | 1 | 9K207 | 9K531 |
| | 10' Cord Set with Plug - 230 V | | | 9K208 | 9K532 |
| | 20' Cord Set with Plug - 115 V | | | 9K533 | 9K533 |
| | 20' Cord Set with Plug - 230 V | | | 9K210 | 9K534 |
| 2* below | Strain Relief Assembly, Cord Set | Varies | 1 | 5K113 | not needed |
| 3* below | Gland Nut Housing | Thermoplastic | 1 | 9K226 | not needed |
| 2 | O-ring - gland nut housing | Buna-N, AS 568A-024 | | 5K197 | 5K197 |
| 3 | Fillister Head Screw - Motor Cover | AISI 300 SS | 4 | 13K347 | 13K347 |
| 4 | Motor Cover | Thermoplastic | 1 | 1K257 | 1K257 |
| 5 | Oil Plug Grommet | Buna-N | 1 | 6K87 | 6K87 |
| 6 | O-ring - Motor Cover | Buna-N, AS 568A-161 | 1 | 5K196 | 5K196 |
| 7 | Motor Assembly - 115 V, 1/2 HP | Varies | 1 | 1K284 | 1K284 |
| | Motor Assembly - 230 V, 1/2 HP | | | 1K285 | 1K285 |
| 8A | Stationery Mechanical Seal Assembly | Carbon/Ceramic | 1 | 10K32 | 10K32 |
| 8B | Rotary Mechanical Seal Assembly | | | | |
| 9 | Fillister Head Screw - Casing | AISI 300 SS | 4 | 13K347 | 13K347 |
| 10 | Casing | Thermoplastic | 1 | 1K274 | 1K274 |
| 11 | Impeller | Thermoplastic | 1 | 2K494 | 2K494 |
| 12 | Thread Forming Screw | AISI 300 SS | 10 | 13K243 | 13K243 |
| 13 | Base | Thermoplastic | 1 | 1K275 | 1K275 |
| 14 | Insulating Oil - see note on Index page | Turbine Oil - ATSM 150 | - | 4K432 | 4K432 |
| 15 | Gasket - Motor Adapter | Composite | 1 | 5K182 | 5K182 |
| 16 | Gasket - Casing | Composite | 1 | 5K217 | 5K217 |

Item No. 7 includes motor adapter, rotor, stator, tolerance ring, ground wire and ground screw.

1/2 HP - .85 quarts of insulating oil required.



* Not needed after 2/1/2012.

NOTE: Pump with cord sets previous to 2/1/2012 can not be repaired after 2/1/2012.

NOTE: After 5/11, new cord design eliminates gland as separate component.

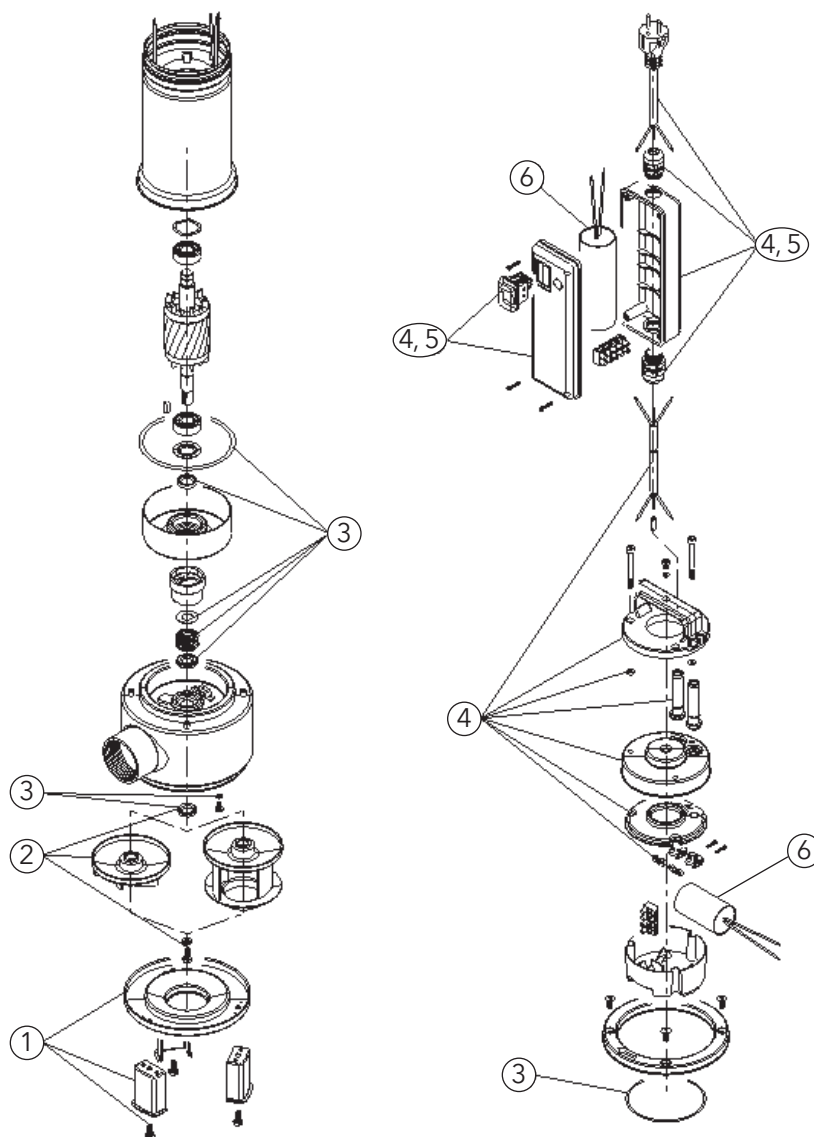
MODEL 1/2DM, 1/2DV

| Item Number | Part Description | Repair Parts Order Number | | | |
|-------------|--|---------------------------|--------|---------|----------|
| | | 1/2 HP | 3/4 HP | 1 HP | 1 1/2 HP |
| 1 | Base Package (Suction Flange, Feet, Screws) | 15L1 | 15L2 | | |
| 2 | DM Impeller Package (Impeller, Screw, Key, V-Ring) | 15L3 | 15L4 | 15L5 | 15L6 |
| | DM Impeller Package (Impeller, Screw, Key, V-Ring) | 15L7 | 15L8 | 15L9 | 15L10 |
| 3 | Pump Seal Package (V-Ring, Mechanical Seal, O-Rings) | 15L11 | | | |
| 4* | Cord / Handle / Capacitor Box Assembly | 115V, Single Phase | 15L60 | N/A | |
| | Cord / Handle Assembly | 230V, Single Phase | 15L61 | | N/A |
| | | 230/460V, Three Phase | 15L62 | | |
| 4** | Cord / Handle / Capacitor Box Assembly | 115V, Single Phase | 15L58 | N/A | |
| | | 230V, Single Phase | 15L13 | | 15L59 |
| 5 | Capacitor Box / Cord Assembly | 15L51 | N/A | 15L57** | N/A |
| 6 | Capacitor - pumps built after June, 2002 | 115V, Single Phase | 9L122 | N/A | |
| | | 230V, Single Phase | 9L113 | 9L123 | 9L124 |

* After 11/04

** Used from 6/02 to 11/04

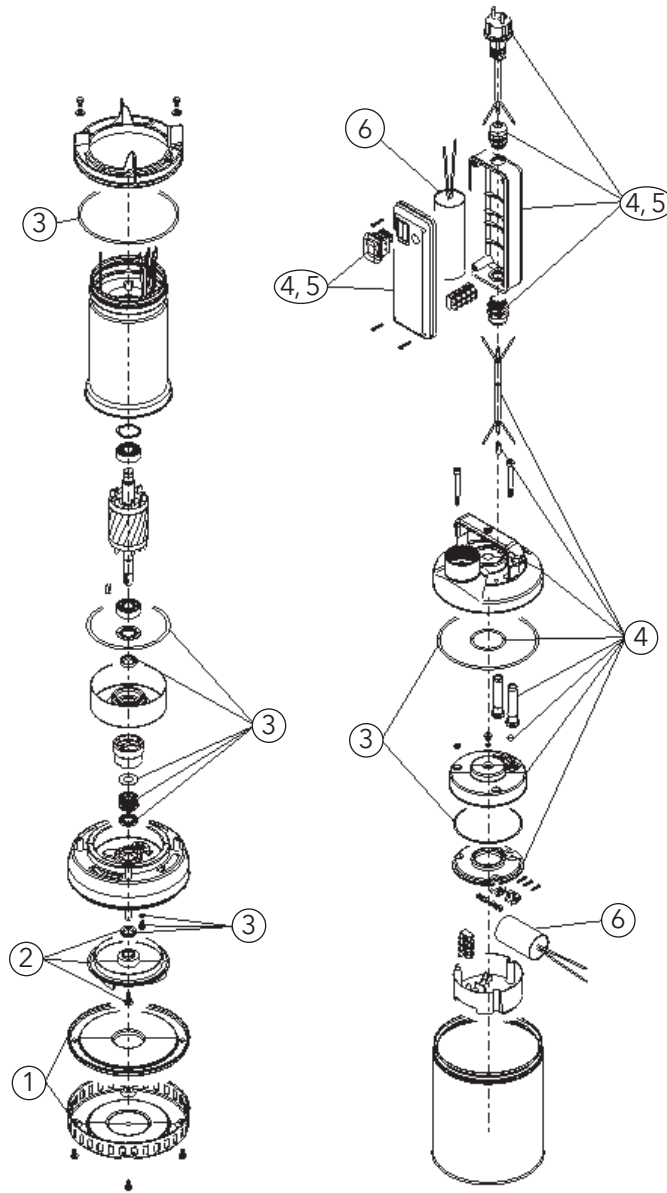
Capacitors not available for pumps before June, 2002.



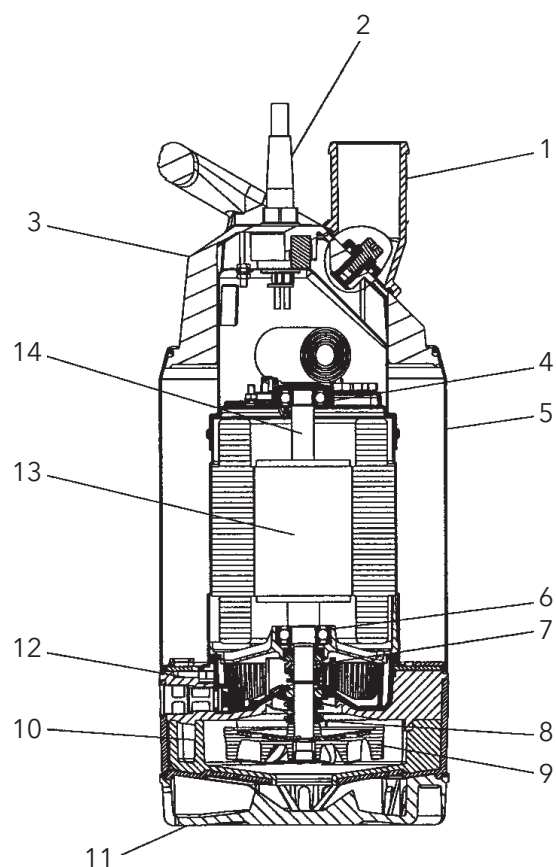
MODEL 1DW

| Item Number | Part Description | Repair Parts Order Number | | | |
|-------------|--|---------------------------|-------|-------|-------|
| | | ½ HP | ¾ HP | 1 HP | 1½ HP |
| 1 | Strainer Package (Suction Flange and Strainer) | 15L17 | | | |
| 2 | Impeller Package (Impeller, Screw, Key, V-Ring) | 15L19 | 15L20 | 15L21 | 15L22 |
| 3 | Pump Seal Package (V-Ring, Mechanical Seal, O-Rings) | 15L23 | | | |
| 4 | Cord / Handle / Capacitor Box Assembly | 115V, Single Phase | 15L54 | N/A | |
| | Cord / Handle Assembly | 230V, Single Phase | 15L55 | | N/A |
| 5 | Capacitor Box / Cord Assembly | 230/460V, Three Phase | 15L56 | | |
| 6 | Capacitor - pumps built after June, 2002 | 115V, Single Phase | 9L117 | N/A | |
| | | 230V, Single Phase | 9L113 | 9L123 | 9L124 |

Capacitors not available for pumps before June, 2002.

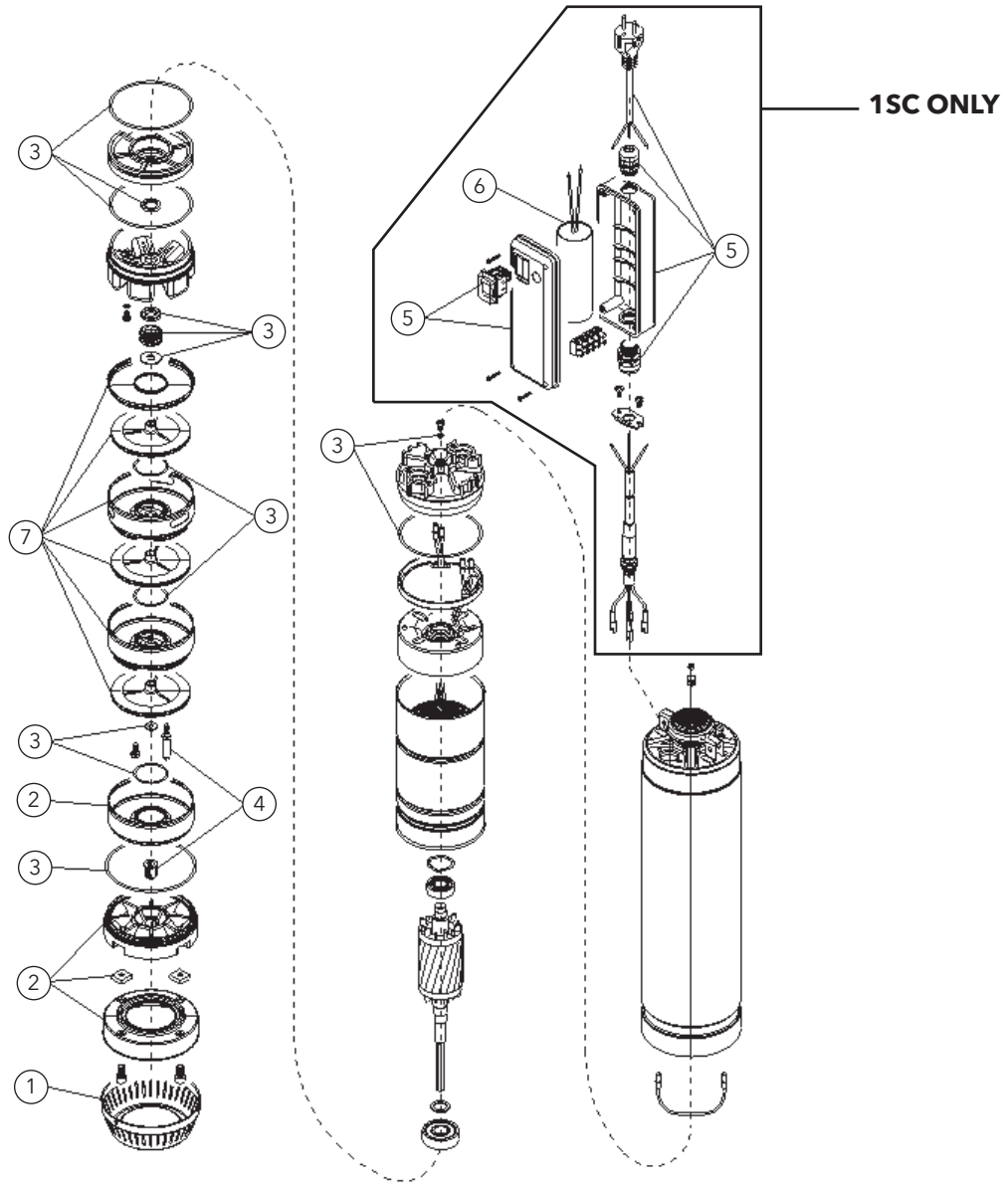


MODEL 2DW



| Item No. | Part Description | Quantity Required | Repair Part Order No. After 8/05 |
|-----------------------------------|--|-------------------|----------------------------------|
| 1 | Discharge Connection Kit | 1 | 6K173 |
| 2 | Cordset - 1 Phase, 115V | | 9K598 |
| | Cordset - 1 Phase, 230V | | 9K599 |
| 3 | Handle / Cover | | - |
| 4 | Bearing - Upper | | - |
| 5 | Casing | | - |
| 6 | Bearing - Lower | | - |
| 7 | Mechanical Seal - Lower | | - |
| 8 | Mechanical Seal - Upper | | - |
| 9 | Impeller | | - |
| 10 | Diffuser | | - |
| 11 | Strainer | | - |
| 12 | Plug - Oil | | - |
| 13 | Motor | - | |
| Kits | | Kit | |
| Impeller - ½ HP | Impeller, Impeller Screw, Protective Plug, Washer, Assembly Instructions | 1 | 15K97 |
| Impeller - 1 HP | | | 15K98 |
| Diffuser | Diffuser, Screws, Washers, Assembly Instruction | | 15K99 |
| Mechanical Seal - Lower | Mechanical Face-Seal Unit, Assembly Instruction | | 15K14 |
| Mechanical Seal - Upper and Lower | Complete Mechanical Seal Kit | | 15K41 |
| Ball Bearing Kit | Upper and Lower Ball Bearings | | 15K42 |
| O-Ring Kit (Complete Set) | Complete O-Ring Set | | 15K100 |

MODELS SE and 1SC



MODEL SE

| Item Number | Part Description | | Repair Parts Order Number | | |
|-------------|---|--------------------|---------------------------|-----------|-----------|
| | | | 8SE | 16SE | 26SE |
| 1 | Suction Strainer | | 15L28 | | |
| 2 | Lower Bearing Support Package | | 15L29 | | |
| 3 | Pump Seal Package (Mechanical Seal and O-Rings) - New | | 15L52 | | |
| 4 | Bushing Package | | 15L31 | N/A | N/A |
| 5 | Power Cord - 16/3 SJTW x 10 ft. with Bare Leads | 115V, Single Phase | 9L120 | | |
| | | 230V, Single Phase | | | |
| 6 | Capacitor | 115V, Single Phase | 9L118 (50 mfd, 250V) | | |
| | | 230V, Single Phase | 9L119 (16 mfd, 450V) | | |
| 7 | Impeller / Diffuser Package | | 15L53 (4) | 15L33 (3) | 15L34 (3) |

MODEL 1SC - After 5/06

| Item Number | Part Description | | Repair Parts Order Number | | |
|-------------|---|--------------------|---------------------------|----------------|----------------------|
| | | | ½ HP - 3 Stage | ¾ HP - 4 Stage | 1 HP - 5 Stage |
| 1 | Suction Strainer | | 15L28 | | |
| 2 | Lower Bearing Support Package | | 15L29 | | |
| 3 | Pump Seal Package (Mechanical Seal and O-Rings) - New | | 15L52 | | |
| 4 | Bushing Package | | N/A | | 15L31 |
| 5 | Capacitor Box / Cord Assembly Cord Assembly | 115V, Single Phase | 15L51 | N/A | |
| | | 230V, Single Phase | 9L121 (6-15P Plug) | | |
| | | 230V, Three Phase | 9L125 | | |
| 6 | Capacitor | 115V, Single Phase | No Longer Available | | |
| | | 230V, Single Phase | 9L114 (25 mfd, 450V) | | 9L124 (30 mfd, 450V) |
| 7 | Impeller / Diffuser Package - Low Flow | | 15L33 (3) | 15L33 (4) | 15L33 (5) |
| | Impeller / Diffuser Package - High Flow | | 15L34 (3) | 15L34 (4) | 15L34 (5) |

MODEL 1SC - 6/02 to 5/06

| Item Number | Part Description | | Repair Parts Order Number | | |
|-------------|---|--------------------|---------------------------|----------------|----------------------|
| | | | ½ HP - 3 Stage | ¾ HP - 4 Stage | 1 HP - 5 Stage |
| 1 | Suction Strainer | | 15L28 | | |
| 2 | Lower Bearing Support Package | | 15L29 | | |
| 3 | Pump Seal Package (Mechanical Seal and O-Rings) - New | | (15L30 Obs.) - 15L52 | | |
| 4 | Bushing Package | | 15L31 | | |
| 5 | Capacitor Box / Cord Assembly | 115V, Single Phase | 15L51 | N/A | |
| | | 230V, Single Phase | 15L16 | | 15L57 |
| 6 | Capacitor | 115V, Single Phase | 9L122 (70 mfd, 250V) | N/A | |
| | | 230V, Single Phase | 9L114 (25 mfd, 450V) | | 9L124 (30 mfd, 450V) |
| 7 | Impeller / Diffuser Package - Low Flow | | 15L33 (3) | 15L33 (4) | 15L33 (5) |
| | Impeller / Diffuser Package - High Flow | | 15L34 (3) | 15L34 (4) | 15L34 (5) |

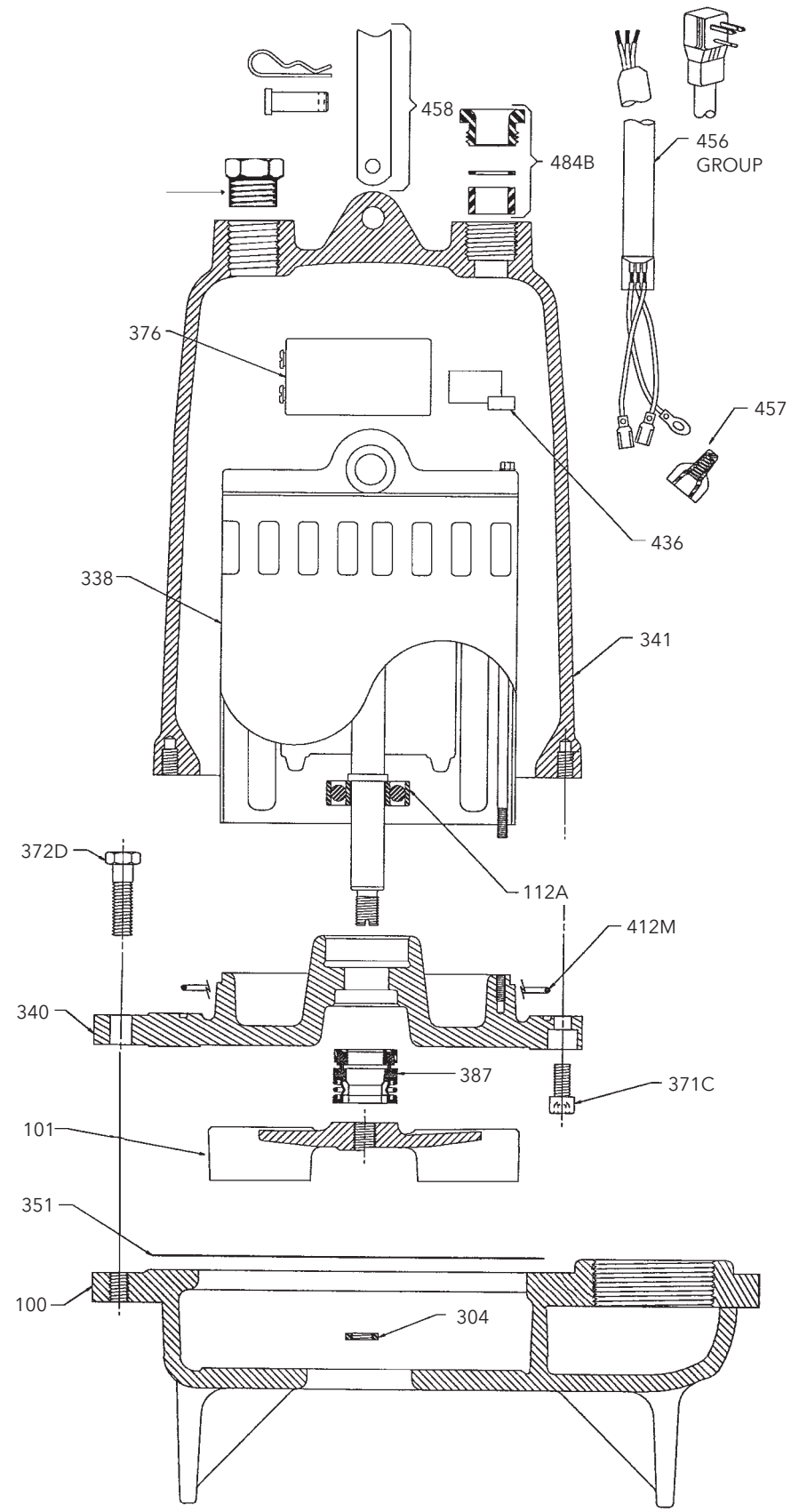
MODEL 1SC - 4/97 to 6/02

| Item Number | Part Description | | Repair Parts Order Number | | |
|-------------|---|--------------------|---------------------------|----------------|----------------------|
| | | | ½ HP - 3 Stage | ¾ HP - 4 Stage | 1 HP - 5 Stage |
| 1 | Suction Strainer | | 15L28 | | |
| 2 | Lower Bearing Support Package | | 15L29 | | |
| 3 | Pump Seal Package (Mechanical Seal and O-Rings) - New | | (15L30 Obs.) - 15L52 | | |
| 4 | Bushing Package | | 15L31 | | |
| 5 | Capacitor Box / Cord Assembly | 230V, Single Phase | 15L16 | | 15L32 |
| 6 | Capacitor | 115V, Single Phase | No Longer Available | | |
| | | 230V, Single Phase | 9L113 (20 mfd, 450V) | | 9L114 (25 mfd, 450V) |
| 7 | Impeller / Diffuser Package - Low Flow | | 15L33 (3) | 15L33 (4) | 15L33 (5) |
| | Impeller / Diffuser Package - High Flow | | 15L34 (3) | 15L34 (4) | 15L34 (5) |

Old Pump had a single mechanical seal and the capacitor was located outside the pump.

New Pump has a dual mechanical seal and the capacitor is located inside the pump (except ½ HP, 1/60/115 V model).

MODEL 3885 - WE SERIES



| CAPACITOR DATA | | |
|----------------|---------|-----|
| "K" no. | MFD | VAC |
| 9K197 | 161/193 | 110 |
| 9K351 | 30 | 370 |
| 9K352 | 200/240 | 220 |

MODEL 3885 - WE SERIES

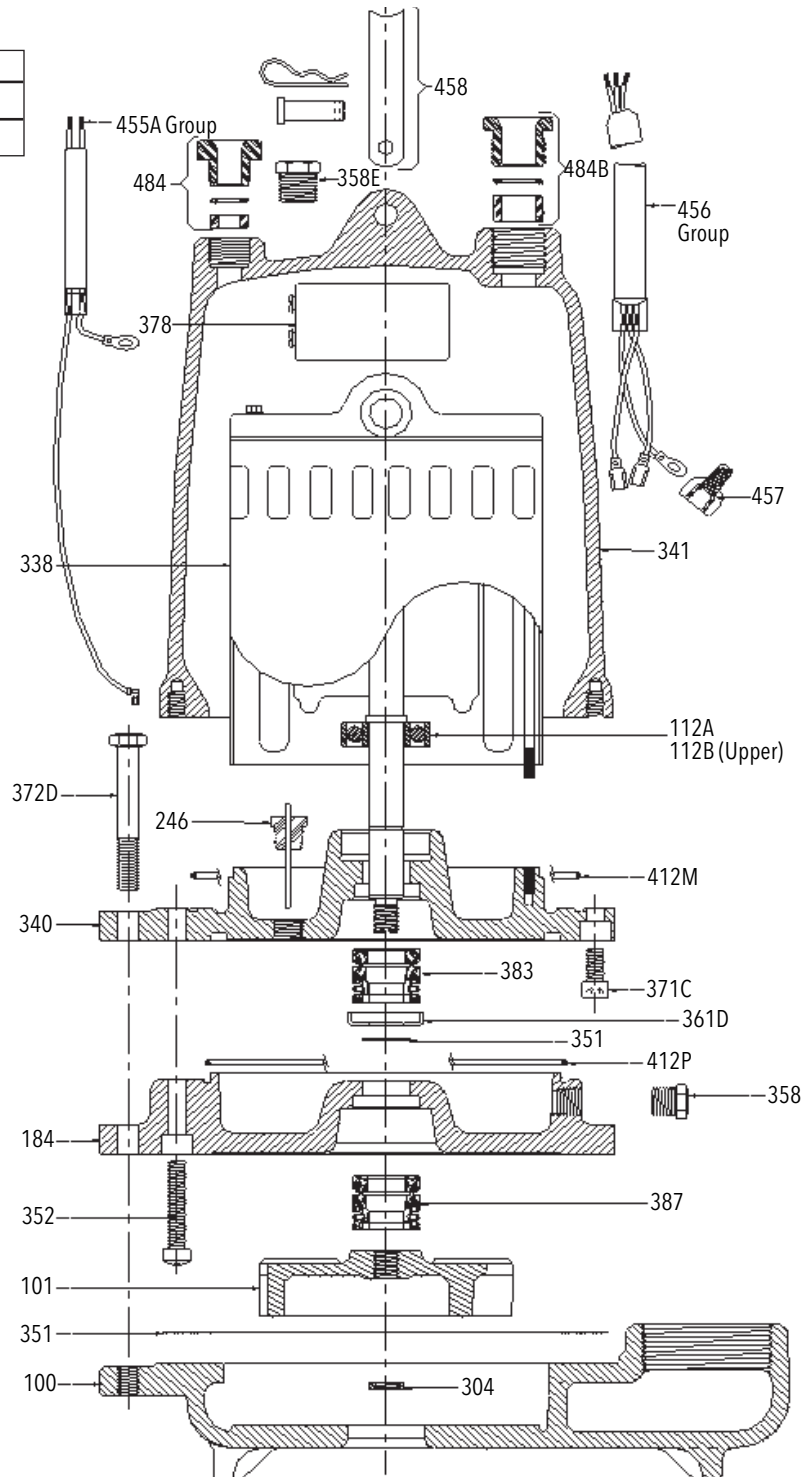
| Item No. | Part Description | Material | Qty. Req'd. | Repair Parts Order Number | | | | | | Max. Wt. (lbs.) |
|----------|---|----------------------------------|--------------|--|-----------|-----------|-----------|-----------|-----------|-----------------|
| | | | | 1725 RPM | | 3450 RPM | | | | |
| | | | | ½ HP | ½ HP | ¾ HP | 1 HP | 1½ HP | 2 HP | |
| 100 | Casing - ½ HP "L" Model Only 59115 | Cast Iron | 1 | 1K171 | N/A | | | | | 13.0 |
| | Casing - All Others (M, H, HH) 59114 | | | N/A | 1K170 | | | | | |
| 101 | Impeller | Cast Iron | 1 | 2K158 | 2K220 | 2K219 | 2K218 | 2K217 | 2K840 | 2.0 |
| | Impeller | Bronze | | 2K271 | 2K272 | 2K273 | 2K274 | 2K275 | 2K841 | 2½ |
| | Impeller - High Head "HH" | Cast Iron | | N/A | 2K225 | N/A | N/A | 2K221 | N/A | 3½ |
| | Impeller - High Head "HH" | Bronze | | N/A | 2K276 | N/A | N/A | 2K277 | N/A | 4.0 |
| 112A | Lower Ball Bearing | Steel | 1 | 4K132 | | | | | 4K384 | - |
| 112B | Upper Ball Bearing | Steel | 1 | 4K132 | | | | | | - |
| 218 | Insulating Turbine Oil | ASTM150 | | 4K432 (1 gallon ½-1½ HP, .88 gallons 2 HP) | | | | | | 7½ lbs./gal. |
| 304 | Impeller Locknut - All | AISI 300 SS | 1 | 13K286 | | | | | | - |
| 338 | Motor | Motor with Stainless Steel Shaft | 1 | 118-121R | 118-1222R | N/A | N/A | N/A | N/A | 13.0 to 24.0 |
| | | | | 118-1215R | 118-1236R | 118-1236R | 118-1238R | 118-1238R | N/A | |
| | | | | 118-122R | 118-1223R | 118-1232R | 118-1233R | 118-1234R | 120-845R | |
| | | | | N/A | 118-1333R | 118-1334R | 118-1335R | 118-1336R | 120-8425R | |
| | | | | N/A | 118-1321R | 118-1322R | 118-1323R | 118-1324R | 120-8425R | |
| | | | | N/A | 118-1328R | 118-1330R | 118-1330R | 118-1331R | 120-8435R | |
| 340 | Seal / Bearing Housing | Cast Iron | 1 | 1K167 | | | | 1K332 | 10.0 | |
| 341 | Motor Cover | Cast Iron | 1 | 1K207 | | | 1K208 | | 23.0 | |
| | | | | N/A | 1K208 | | | | | |
| 351 | Casing Gasket - All Except "HH" | Composite | 1 | 5K170 | | | | | - | |
| | Shim Set - "HH" Models Only | Plastic | 1 | 5K169 | | | | | - | |
| 358E | Plug - Motor Cover ¾" NPT | AISI 300 SS | 1 | 6K169 | | | | | - | |
| 371C | Skt. Hd. Screw - Housing to Motor Cover | AISI 300 SS | 4 | 13K271 | | | | | - | |
| 372D | Hex Cap Screw - Housing to Casing | AISI 300 SS | 4 | 13K186 | | | | | - | |
| 376 | Capacitor (1 Phase Only) | Varies | 1 | 9K197 | | | | 9K352 | - | |
| | | | | N/A | | | | 9K351 | | |
| 387 | Mechanical Seal - Standard | Silicon Carbide | 1 | 10K120 | | | 10K119 | | - | |
| | Mechanical Seal - Optional | Tungsten Carbide | 1 | 10K122 | | | 10K123 | | - | |
| 412M | O-ring - Motor Cover | BUNA-N, AS568A-166 | 1 | 4K252 | | | | | - | |
| 436 | Motor Start Switch (1 Phase Only) | | 1 | 629002-2 | | | | 9K356 | - | |
| 457 | Wire Nut (Power Cable) | Special Nylon Housing | 2 up to 6 | N/A | | | | 9K145 | - | |
| | | | | N/A | 9K145 | | | | | |
| 458 | Handle Assembly | AISI 300 SS | 1 | 4K243 | | | | | - | |
| 484B | Strain Relief Assembly (Power Cable) | Varies | 1 | 5K113 | | | 5K111 | | - | |
| | | | | 1 | N/A | 5K111 | | | - | |
| | Loctite #271 - Impeller / Nut | | 1 | AL27121 | | | | | - | |

| Item No. 456, Power Cables | Type and AWG Size | Standard length | Optional Lengths | | | | Wt. (lbs./5 ft.) |
|---|-------------------|-----------------|------------------|--------|--------|-----|------------------|
| | | 20' | 30' | 50' | 100' | | |
| 1 PH: ½ HP, 115 V; standard with plug, optional length cords have bare leads. | SJTOW - 16/3 | 9K165 | 9K214 | 9K215 | N/A | 0.5 | |
| 1 PH: ½ HP, 115 V; standard with plug, optional length cords have bare leads. | STOW - 14/3 | 9K385 - SJTOW | 9K216* | 9K161* | 9K217* | 0.9 | |
| 1 PH: ¾ & 1 HP, 208 & 230 V; standard with plug, opt. length cords have bare leads. | SJTOW - 16/3 | 9K164 | 9K214 | 9K215 | N/A | 0.5 | |
| 1 PH: ¾ & 1 HP, 208 & 230 V; standard with plug, opt. length cords have bare leads. | STOW - 14/3 | 9K444 - SJTOW | 9K216* | 9K161* | 9K217* | 0.9 | |
| 1 PH: 1½ HP, 208 & 230 V with bare leads. | STOW - 14/3 | 9K163 | 9K216* | 9K161* | 9K217* | 0.9 | |
| 1 PH: 2 HP, 230 V with bare leads. | STOW - 14/3 | 9K266 | 9K267 | 9K268 | 9K269 | 0.9 | |
| 3 PH: ½ - 2 HP, 200-230/460/575 V with bare leads. | STOW - 14/4 | 9K153 | 9K218 | 9K154 | 9K219 | 1.1 | |

* Requires 5K111 Strain Relief Assembly and 1K208 Motor Cover.
 "P" option -9K445 1PH, 208/230 V, 14/3 SJTOW Cord with Plug, 30 ft.

MODEL 2ED

| CAPACITOR DATA | | |
|----------------|---------|-----|
| "K" no. | MFD | VAC |
| 9K197 | 161/193 | 110 |



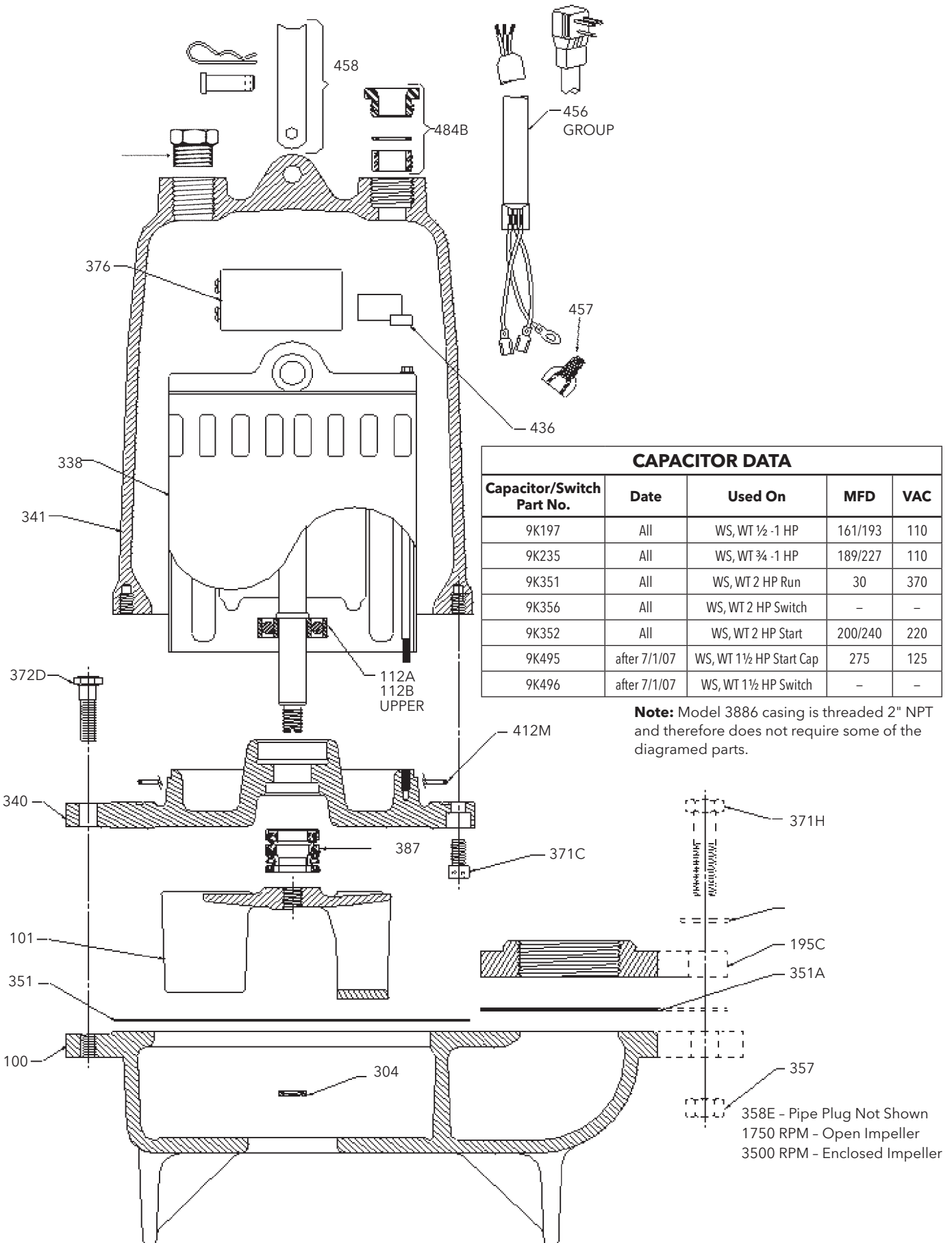
| Item No. 456, Power Cables | Type and AWG Size | Standard length | | | | Wt. (lbs./5 ft.) |
|--|-------------------|-----------------|--------|--------|--------|------------------|
| | | 20' | 30' | 50' | 100' | |
| 1 PH: 1/3 HP, 115 V; standard with plug, optional lengths have bare leads. | SJTOW - 16/3 | 9K165 | 9K214 | 9K215 | N/A | 0.5 |
| 1 PH: 1/2 HP, 115 V; standard with plug, optional lengths have bare leads. | STOW - 14/3 | 9K385 - SJTOW | 9K216* | 9K161* | 9K217* | 0.9 |
| 1 PH: 1/3 & 1/2 HP, 208 & 230 V; standard with plug, opt. lengths have bare leads. | SJTOW - 16/3 | 9K164 | 9K214 | 9K215 | N/A | 0.5 |
| 1 PH: 3/4 - 1 1/2 HP, 208 & 230 V with bare leads. | STOW - 14/3 | 9K163 | 9K216 | 9K161 | 9K217 | 0.9 |
| 3 PH: 1/2 - 1 1/2 HP, 200-230/460/575 V with bare leads. | STOW - 14/4 | 9K153 | 9K218 | 9K154 | 9K219 | 1.1 |
| Item No. 455A, Sensor Cables | | | | | | |
| Mechanical Seal Sensor - Standard for All Models | SJTOW - 16/2 | 9K189 | 9K220 | 9K221 | 9K222 | 0.5 |
| Mechanical Seal/Heat Sensor - Optional for 3-Phase Models | SJTOW - 18/4 | 9K237 | 9K238 | 9K239 | 9K240 | 0.5 |

* Requires 5K111 Strain Relief Assembly and 1K208 Motor Cover.

MODEL 2ED (Dual Seal)

| Item No. | Part Description | Material | Qty. Req'd. | Repair Parts Order Number | | | | | Max. Wt. (lbs.) |
|----------|---|-----------------------|-------------|---------------------------|----------------------|----------------------|----------------------|----------------------|-----------------|
| | | | | 1725 RPM | 3450 RPM | | | | |
| | | | | 1/2 HP | 1/2 HP | 3/4 HP | 1 HP | 1 1/2 HP | |
| 100 | Casing - "F" Model Only (8th Digit) | Cast Iron | 1 | 1K171 | N/A | | | | 13.0 |
| | Casing - All Others | | | N/A | 1K170 | | | | |
| 101 | Impeller - Standard | Cast Iron | 1 | 2K158 E, F = 5 3/8" | 2K220 D = 3 1/16" | 2K219 C = 4 1/16" | 2K218 B = 4 7/16" | 2K217 A = 4 7/16" | 4.0 |
| | Model Number (8th Digit) = Diameter | Bronze | | 2K271 E, F = 5 3/8" | 2K272 D = 3 1/16" | 2K273 C = 4 1/16" | 2K274 B = 4 7/16" | 2K275 A = 4 7/16" | 2.5 |
| | Impeller - High Head | Cast Iron | | N/A | 2K225 H = 3 3/8" | N/A | N/A | N/A | 3.5 |
| | Model Number (8th Digit) = Diameter | Bronze | | N/A | 2K276 H = 3 3/8" | N/A | N/A | 2K277 G = 5 1/2" | 4.0 |
| | Impeller - High Head | | | | | | | | |
| | Model Number (8th Digit) = Diameter | | | | | | | | |
| 112A | Lower Ball Bearing | Steel | 1 | 4K132 | | | | - | |
| 112B | Upper Ball Bearing | Steel | 1 | 4K132 | | | | - | |
| 184 | Seal Housing | Cast Iron | 1 | 1K229 | | | | 9.5 | |
| 218 | Insulating Oil - Gallons Required | Turbine Oil - ASTM150 | - | 4K432 | | | | 7 1/2 lbs./gal. | |
| | Gallons Required in Seal Housing | | | 0.10 | | | | | |
| | Gallons Required in Motor Cover | | | 1.0 | | | | | |
| 246 | Seal Sensor - Plug and Rod | Nylon/Brass | 1 | 9K191 | | | | - | |
| 304 | Impeller Locknut - All | AISI 300 SS | 1 | 13K286 | | | | - | |
| 338 | Motor | Stainless Steel Shaft | 1 | 119-493R | 119-4931R | N/A | | | 13.0 to 24.0 |
| | | | | 119-49815R | 119-4992R | 119-4992R | 119-4994R | 119-4994R | |
| | | | | 119-494R | 119-4932R | 119-4934R | 119-4934R | 119-4935R | |
| | | | | N/A | 119-4971R | 119-4973R | 119-4973R | 119-4974R | |
| | | | | N/A | 119-4941R | 119-4943R | 119-4943R | 119-4944R | |
| | | | | N/A | 119-4951R | 119-4954R | 119-4954R | 119-4954R | |
| 340 | Bearing Housing | Cast Iron | 1 | 1K228 | | | | 10.0 | |
| 341 | Motor Cover | Cast Iron | 1 | 1K230 | | 1K231 | | | 23.0 |
| | | | | N/A | 1K231 | | | | |
| 351 | Casing Gasket | Composite | 1 | 5K170 | | | | - | |
| | Shim Set - "High Head" Models Only | Plastic | 1 | 5K169 | | | | - | |
| 352 | Skt. Hd. Screw - Seal Housing to Motor Cover | AISI 300 SS | 2 | 13K219 | | | | - | |
| 358 | Plug - Seal Housing 1/4" NPT | AISI 300 SS | 1 | 6K168 | | | | - | |
| 358E | Plug - Motor Cover 3/8" NPT | AISI 300 SS | 1 | 6K169 | | | | - | |
| 361 | Retaining Ring | AISI 300 SS | 1 | 4K375 | | | | - | |
| 361D | Seal Retainer | AISI 300 SS | 1 | 4K379 | | | | - | |
| 371C | Skt. Hd. Screw - Bearing Housing to Motor Cover | AISI 300 SS | 2 | 13K271 | | | | - | |
| 372D | Hex Cap Screw - Housing to Casing | AISI 300 SS | 4 | 13K222 | | | | - | |
| 376 | Capacitor (1 Phase Only) - Start | - | 1 | 9K197 | | | | - | |
| 383 | Mechanical Seal - Upper | Carbon/Ceramic | 1 | 10K121 (Type 16) | | | | - | |
| 387 | Mechanical Seal - Lower (Standard) | Silicon Carbon | 1 | 10K120 (Type 16) | | | | - | |
| | Mechanical Seal - Lower (Optional) | Tungsten Carbon | 1 | 10K122 (Type 16) | | | | - | |
| 412M | O-ring - Motor Cover | BUNA-N, AS 568A-166 | 1 | 4K252 | | | | - | |
| 412P | O-ring - Seal/Bearing Housing | BUNA-N, AS 568A-163 | 1 | 5K181 | | | | - | |
| 457 | Wire Nut | Special Nylon Housing | N/A | None Required | | | | - | |
| | | | 1 pkg. | N/A | 9K145 (package of 8) | | | - | |
| | | | 1 pkg. | 9K145 (package of 8) | | | | - | |
| 458 | Handle Assembly | AISI 300 SS | 1 | 4K243 | | | | - | |
| 484 | Strain Relief Assembly, Sensor Cable | Varies | 1 | 5K113 | | | | - | |
| 484B | Strain Relief Assembly (Power Cable) | Varies | 1 | 5K113 | | 5K111 | | - | |
| | | | 1 | N/A | 5K111 | | | - | |
| | Heat Sensor Kit (Optional) | - | 1 | 9K261 | | | | - | |
| | Seal Installation Tool | - | 1 | A02A013 | | | | - | |
| | Loctite #271 | - | 1 | AL27121 | | | | - | |

MODELS 3886, 3887 (WS_B, WS_BF, WS_BHF)



MODEL 3886 (WS_B)

| Item No. | Part Description | Material | Qty. Req. | Repair Parts Order Number | | | | Max. Wt. (lbs.) |
|----------|---|----------------------------------|-----------|-----------------------------|-----------|-----------|-----------|-----------------|
| | | | | 1725 RPM | | | | |
| | | | | 1/3 HP | 1/2 HP | 3/4 HP | 1 HP | |
| 100 | Casing | Cast Iron | 1 | 1K168 | | | | 16.5 |
| 101 | Impeller | Cast Iron | 1 | 2K268 | 2K239 | 2K240 | 2K241 | 3.0 |
| | Impeller | Bronze | 1 | 2K279 | 2K280 | 2K281 | 2K282 | 3.5 |
| 112A | Lower Ball Bearing | Steel | 1 | 4K132 | | | | - |
| 112B | Upper Ball Bearing | Steel | 1 | 4K132 | | | | - |
| 218 | Insulating Turbine Oil | ASTM150 | - | 4K432 (1 gallon 1/3 - 1 HP) | | | | 7.5 lbs./gal. |
| 304 | Impeller Locknut - All | AISI 300 SS | 1 | 13K286 | | | | - |
| 338 | Motor - 1 Phase, 115V | Motor with Stainless Steel Shaft | 1 | 118-121R | 118-123R | N/A | N/A | 13.0 to 24.0 |
| | Motor - 1 Phase, 208V | | | 118-1215R | 118-1215R | 118-1217R | 118-1217R | |
| | Motor - 1 Phase, 230V | | | 118-122R | 118-124R | 118-1212R | 118-1213R | |
| | Motor - 3 Phase, 200 V | | | N/A | 118-1314R | 118-1316R | 118-1316R | |
| | Motor - 3 Phase, 230/460 V | | | N/A | 118-132R | 118-134R | 118-134R | |
| | Motor - 3 Phase, 575 V | | | N/A | 118-139R | 118-1311R | 118-1311R | |
| 340 | Seal / Bearing Housing | Cast Iron | 1 | 1K167 | | | | 10.0 |
| 341 | Motor Cover - 1 Phase | Cast Iron | 1 | 1K207 | | | | 20.0 |
| | Motor Cover - 3 Phase | | | 1K208 | | | | |
| 351 | Casing Gasket | Composite | 1 | 5K170 | | | | - |
| 358E | Plug - Motor Cover 3/8" NPT | AISI 300 SS | 1 | 6K169 | | | | - |
| 371C | Skt. Hd. Screw - Housing to Motor Cover | AISI 300 SS | 4 | 13K271 | | | | - |
| 372D | Hex Cap Screw - Housing to Casing | AISI 300 SS | 4 | 13K186 | | | | - |
| 376 | Capacitor (1 Phase only) Start | Varies | 1 | 9K197 | | 9K235 | | - |
| 387 | Mechanical Seal - Standard | Silicon Carbide | 1 | 10K120 | | | | - |
| | Mechanical Seal - Optional | Tungsten Carbide | 1 | 10K122 | | | | - |
| 412M | O-ring - Motor Cover | BUNA-N, A5568A-166 | 1 | 4K252 | | | | - |
| 457 | Wire Nut (Power Cable) | 1 Phase | - | N/A | | | | - |
| | | 3 Phase | | N/A | 9K145 | | | |
| 458 | Handle Assembly | AISI 300 SS | 1 | 4K243 | | | | - |
| 484B | Strain Relief Assembly (Power Cable) | 1 Phase | 1 | 5K113 | | | | - |
| | | 3 Phase | | N/A | 5K111 | | | |
| | Loctite #271 | - | 1 | AL27121 | | | | - |

| Item No. 456, Power Cables | Type and AWG Size | Standard length | Optional Lengths | | | Wt. (lbs./5 ft.) |
|---|-------------------|-----------------|------------------|--------|--------|------------------|
| | | 20' | 30' | 50' | 100' | |
| 1 PH: 1/3 HP, 115 V; standard with plug, optional length cords have bare leads. | SJTOW - 16/3 | 9K165 | 9K214 | 9K215 | N/A | 0.5 |
| 1 PH: 1/2 HP, 115 V; standard with plug, optional length cords have bare leads. | STOW - 14/3 | 9K385 - SJTOW | 9K216* | 9K161* | 9K217* | 0.9 |
| 1 PH: 1/3 and 1/2 HP, 208 & 230 V; standard with plug, opt. length cords have bare leads. | SJTOW - 16/3 | 9K164 | 9K214 | 9K215 | N/A | 0.5 |
| 1 PH: 3/4 & 1 HP, 208 & 230 V; standard with plug, opt. length cords have bare leads. | STOW - 14/3 | 9K444 - SJTOW | 9K216* | 9K161* | 9K217* | 0.9 |
| 3 PH: 1/2 - 1 HP, 200-230/460/575 V with bare leads. | STOW - 14/4 | 9K153 | 9K218 | 9K154 | 9K219 | 1.1 |

* Requires 5K111 Strain Relief Assembly and 1K208 Motor Cover.

"P" option -9K445 1PH, 208/230 V, 14/3 SJTOW Cord with Plug, 30 ft.

MODEL 3887 (WS_BF)

| Item No. | Part Description | Material | Qty. Req. | Repair Parts Order Number | | | | Max. Wt. (lbs.) |
|----------|---|----------------------------------|-----------|---------------------------------|-----------|-----------|-----------|-----------------|
| | | | | 1725 RPM | | | | |
| | | | | 1/3 HP | 1/2 HP | 3/4 HP | 1 HP | |
| 100 | Casing | Cast Iron | 1 | 1K178 | | | | 16.5 |
| 101 | Impeller | Cast Iron | 1 | 2K268 | 2K239 | 2K240 | 2K241 | 3.0 |
| | Impeller | Bronze | 1 | 2K279 | 2K280 | 2K281 | 2K282 | 3.5 |
| 112A | Lower Ball Bearing | Steel | 1 | 4K132 | | | | - |
| 112B | Upper Ball Bearing | Steel | 1 | 4K132 | | | | - |
| 195C | Discharge Flange (2" NPT STD.) | Cast Iron | 1 | 6K76 | | | | 1.5 |
| | Discharge Flange (3" NPT OPT.) | | | A1-3 | | | | |
| 218 | Insulating Turbine Oil | ASTM150 | 1 | 4K432 (1.0 gallons, 1/3 - 1 HP) | | | | 7.5 lbs./gal. |
| 304 | Impeller Locknut - All | AISI 300 SS | 1 | 13K286 | | | | - |
| 338 | Motor - 1 Phase, 115V | Motor with Stainless Steel Shaft | 1 | 118-121R | 118-123R | N/A | N/A | 13.0 to 24.0 |
| | Motor - 1 Phase, 208V | | | 118-1215R | 118-1215R | 118-1217R | 118-1217R | |
| | Motor - 1 Phase, 230V | | | 118-122R | 118-124R | 118-1212R | 118-1213R | |
| | Motor - 3 Phase, 200 V | | | N/A | 118-1314R | 118-1316R | 118-1316R | |
| | Motor - 3 Phase, 230/460 V | | | N/A | 118-132R | 118-134R | 118-134R | |
| | Motor - 3 Phase, 575 V | | | N/A | 118-139R | 118-1311R | 118-1311R | |
| 340 | Seal / Bearing Housing | Cast Iron | 1 | 1K167 | | | | 10.0 |
| 341 | Motor Cover - 1 Phase | Cast Iron | 1 | 1K207 | | | | 20.0 |
| | Motor Cover - 3 Phase | | | 1K208 | | | | |
| 351 | Casing Gasket | Composite | 1 | 5K170 | | | | - |
| 351A | Discharge Flange Gasket | Composite | 1 | 5K150 | | | | - |
| 357 | Hex Nut - Discharge Flange | AISI 300 SS | 2 | 13K99 | | | | - |
| 358E | Plug - Motor Cover 3/8" NPT | AISI 300 SS | 1 | 6K169 | | | | - |
| 371C | Skt. Hd. Screw - Housing to Motor Cover | AISI 300 SS | 4 | 13K271 | | | | - |
| 371H | Hex Cap Screw - Discharge Flange | AISI 300 SS | 2 | 13K153 | | | | - |
| 372D | Hex Screw - Housing to Casing | AISI 300 SS | 4 | 13K186 | | | | - |
| 376 | Capacitor (1 Phase Only) Start | Varies | 1 | 9K197 | | 9K235 | | - |
| 387 | Mechanical Seal - Standard | Silicon Carbide | 1 | 10K120 | | | | - |
| | Mechanical Seal - Optional | Tungsten Carbide | 1 | 10K122 | | | | - |
| 412M | O-Ring - Motor Cover | Buna-N, AS 568A-166 | 1 | 4K252 | | | | - |
| 457 | Wire Nut, Power Cable, 3 Phase | Special Nylon Housing | Up to 6 | N/A | 9K145 | | - | |
| 458 | Handle Assembly | AISI 300 SS | 1 | 4K243 | | | | - |
| 484B | Strain Relief Assembly (Power Cable) | 1 PH | 1 | 5K113 | | | | - |
| | | 3 PH | | N/A | 5K111 | | | |
| 528 | Washer - Discharge Flange | AISI 300 SS | 2 | 13K82 | | | | - |
| | Loctite #271 | - | 1 | AL27121 | | | | - |

| Item No. 456, Power Cables | Type and AWG Size | Standard length | Optional Lengths | | | Wt. (lbs./5 ft.) |
|---|-------------------|-----------------|------------------|--------|--------|------------------|
| | | 20' | 30' | 50' | 100' | |
| 1 PH: 1/3 HP, 115 V; standard with plug, optional length cords have bare leads. | SJTOW - 16/3 | 9K165 | 9K214 | 9K215 | N/A | 0.5 |
| 1 PH: 1/2 HP, 115 V; standard with plug, optional length cords have bare leads. | STOW - 14/3 | 9K385 - SJTOW | 9K216* | 9K161* | 9K217* | 0.9 |
| 1 PH: 1/3 & 1/2 HP, 208 & 230 V; standard with plug, optional length cords have bare leads. | SJTOW - 16/3 | 9K164 | 9K214 | 9K215 | N/A | 0.5 |
| 1 PH: 3/4 & 1 HP, 208 & 230 V; standard with plug, optional length cords have bare leads. | STOW - 14/3 | 9K444 - SJTOW | 9K216* | 9K161* | 9K217* | 0.9 |
| 3 PH: 1/2 - 1 HP, 200-230/460/575 V with bare leads. | STOW - 14/4 | 9K153 | 9K218 | 9K154 | 9K219 | 1.1 |

* Requires 5K111 Strain Relief Assembly and 1K208 Motor Cover.
 "P" option -9K445 1PH, 208/230 V, 14/3 SJTOW Cord with Plug, 30 ft.

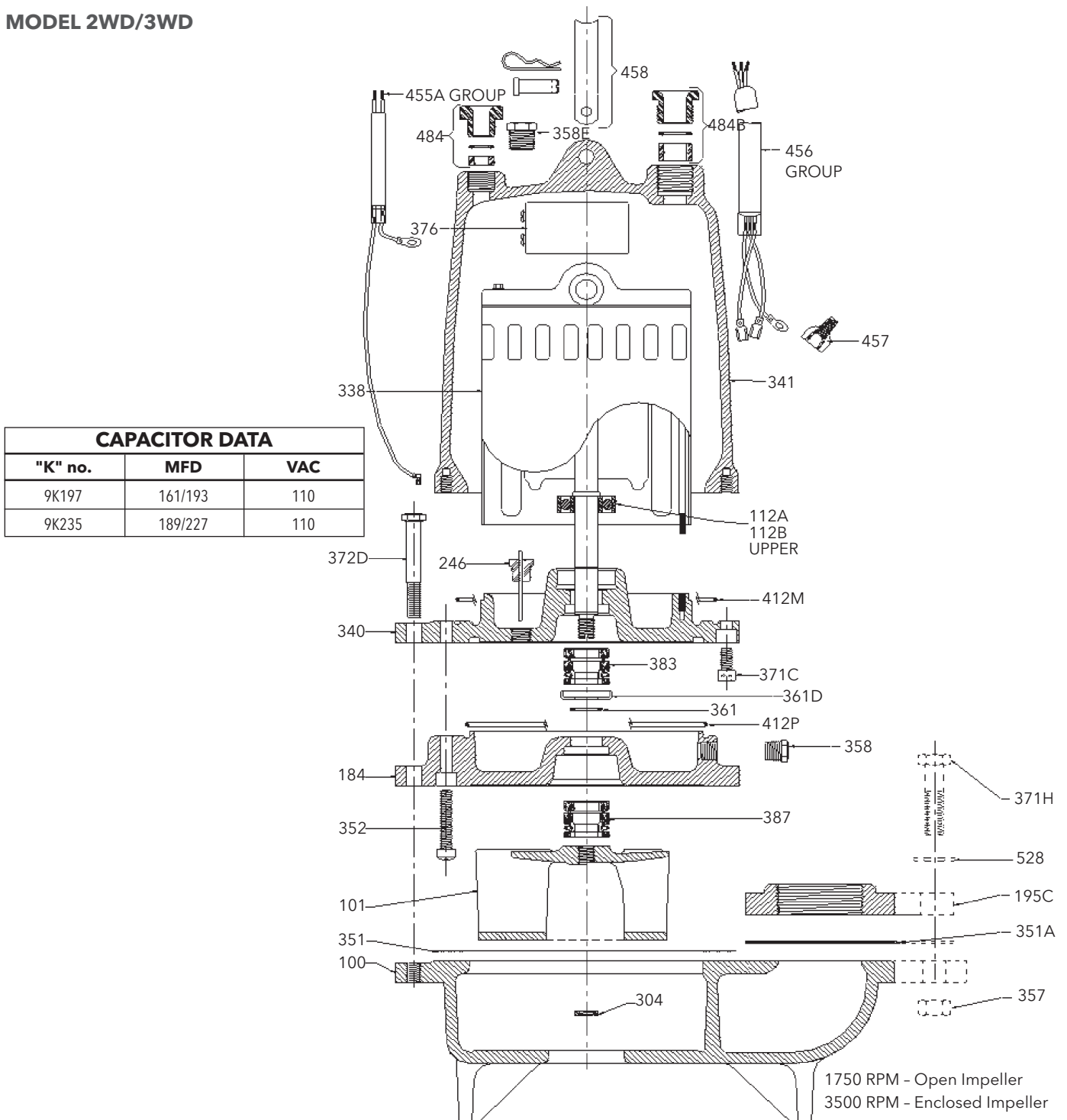
MODEL 3887 (WS_BHF)

| Item No. | Part Description | Material | Qty. Req. | Repair Parts Order Number | | | | | | Max. Wt. (lbs.) |
|----------|---|-----------------------|-----------|--|-----------|-----------|-----------|-----------|-----------|-----------------|
| | | | | 3450 RPM | | | | | | |
| | | | | ½ HP | ½ HP | ¾ HP | 1 HP | 1½ HP | 2 HP | |
| 100 | Casing | Cast Iron | 1 | 1K330 | | | | | | 16.5 |
| 101 | Impeller | Cast Iron | 1 | 2K858 | 2K856 | 2K854 | 2K852 | 2K800 | 2K798 | 3.0 |
| | Impeller | Bronze | 1 | 2K859 | 2K857 | 2K855 | 2K853 | 2K801 | 2K799 | 3.5 |
| 112A | Lower Ball Bearing | Steel | 1 | 4K132 | | | 4K384 | | | - |
| 112B | Upper Ball Bearing | Steel | 1 | 4K132 | | | | | | - |
| 195C | Discharge Flange (2" NPT STD.) | Cast Iron | 1 | 6K76 | | | | | | 1.5 |
| | Discharge Flange (3" NPT OPT.) | Cast Iron | 1 | A1-3 | | | | | | 1.5 |
| 218 | Insulating Turbine Oil | ASTM150 | - | 4K432 (1 gallon ½-1 HP, .88 gallons 1½ and 2 HP) | | | | | | 7.5 lbs./gal. |
| 304 | Impeller Locknut - All | AISI 300 SS | 1 | 13K286 | | | | | | - |
| 338 | Motor - 1 Phase, 115V | Stainless Steel Shaft | 1 | 118-1222R | 118-1222R | N/A | N/A | N/A | N/A | 13.0 to 24.0 |
| | Motor - 1 Phase, 208V | | | 118-1236R | 118-1236R | 118-1236R | 118-1238R | N/A | N/A | |
| | Motor - 1 Phase, 230V | | | 118-1223R | 118-1223R | 118-1232R | 118-1233R | 120-844R | 120-845R | |
| | Motor - 3 Phase, 200 V | | | N/A | 118-1333R | 118-1334R | 118-1335R | 120-8425R | 120-8425R | |
| | Motor - 3 Phase, 230/460 V | | | N/A | 118-1321R | 118-1322R | 118-1323R | 120-8425R | 120-8425R | |
| | Motor - 3 Phase, 575 V | | | N/A | 118-1328R | 118-1330R | 118-1330R | 120-8435R | 120-8435R | |
| 340 | Seal / Bearing Housing | Cast Iron | 1 | 1K167 | | | 1K332 | | | 10.0 |
| 341 | Motor Cover - 1 Phase | Cast Iron | 1 | 1K207 | | | 1K208 | | | 20.0 |
| | Motor Cover - 3 Phase | | | 1K208 | | | | | | |
| 351 | Casing Gasket | Composite | 1 | 5K170 | | | | | | - |
| 351A | Discharge Flange Gasket | Composite | 1 | 5K150 | | | | | | - |
| 357 | Hex Nut - Discharge Flange | AISI 300 SS | 2 | 13K99 | | | | | | - |
| 358E | Plug - Motor Cover ¾" NPT | AISI 300 SS | 1 | 6K169 | | | | | | - |
| 371C | Skt. Hd. Screw - Housing to Motor Cover | AISI 300 SS | 4 | 13K271 | | | | | | - |
| 371H | Hex Cap Screw - Discharge Flange | AISI 300 SS | 2 | 13K153 | | | | | | - |
| 372D | Hex Cap Screw - Housing to Casing | AISI 300 SS | 4 | 13K186 | | | | | | - |
| 387 | Mechanical Seal - Standard | Silicon Carbide | 1 | 10K120 | | | 10K119 | | | - |
| | Mechanical Seal - Optional | Tungsten Carbide | 1 | 10K122 | | | 10K123 | | | - |
| 412M | O-Ring - Motor Cover | BUNA-N, AS568A-166 | 1 | 4K252 | | | | | | - |
| 457 | Wire Nut (Power Cable) | Special Nylon Housing | 2 | N/A | | | 9K145 | | | - |
| | | | | upto 6 | N/A | 9K145 | | | | - |
| 458 | Handle Assembly | AISI 300 SS | 1 | 4K243 | | | | | | - |
| 484B | Strain Relief Assembly (Power Cable) | Varies | 1 | 5K113 | | | 5K111 | | | - |
| | | | | N/A | 5K111 | | | | | |
| 528 | Washer - Discharge Flange | AISI 300 SS | 2 | 13K82 | | | | | | - |
| | Loctite #271 | - | 1 | AL27121 | | | | | | - |

| Item No. 456, Power Cables | Type and AWG Size | Standard length | Optional Lengths | | | Wt. (lbs./5 ft.) |
|---|-------------------|-----------------|------------------|--------|--------|------------------|
| | | 20' | 30' | 50' | 100' | |
| 1 PH: ½ HP, 115 V; standard with plug, optional lengths have bare leads. | SJTOW - 16/3 | 9K165 | 9K214 | 9K215 | N/A | 0.5 |
| 1 PH: ½ HP, 115 V; standard with plug, optional lengths have bare leads. | STOW - 14/3 | 9K385 - SJTOW | 9K216* | 9K161* | 9K217* | 0.9 |
| 1 PH: ½ and 1½ HP, 208 & 230 V; standard with plug, optional lengths have bare leads. | SJTOW - 16/3 | 9K164 | 9K214 | 9K215 | N/A | 0.5 |
| 1 PH: ¾ - 1 HP, 208 & 230 V; standard with plug, optional lengths have bare leads. | STOW - 14/3 | 9K444 - SJTOW | 9K216* | 9K161* | 9K217* | 0.9 |
| 1 PH: 1½ and 2 HP, 230 V with bare leads. | STOW - 14/3 | 9K266 | 9K267 | 9K268 | 9K269 | 0.9 |
| 3 PH: ½ - 2 HP, 200-230/460/575 V with bare leads. | STOW - 14/4 | 9K153 | 9K218 | 9K154 | 9K219 | 1.1 |

* Requires 5K111 Strain Relief Assembly and 1K208 Motor Cover.
 "P" option -9K445 1PH, 208/230 V, 14/3 SJTOW Cord with Plug, 30 ft.

MODEL 2WD/3WD



| CAPACITOR DATA | | |
|----------------|---------|-----|
| "K" no. | MFD | VAC |
| 9K197 | 161/193 | 110 |
| 9K235 | 189/227 | 110 |

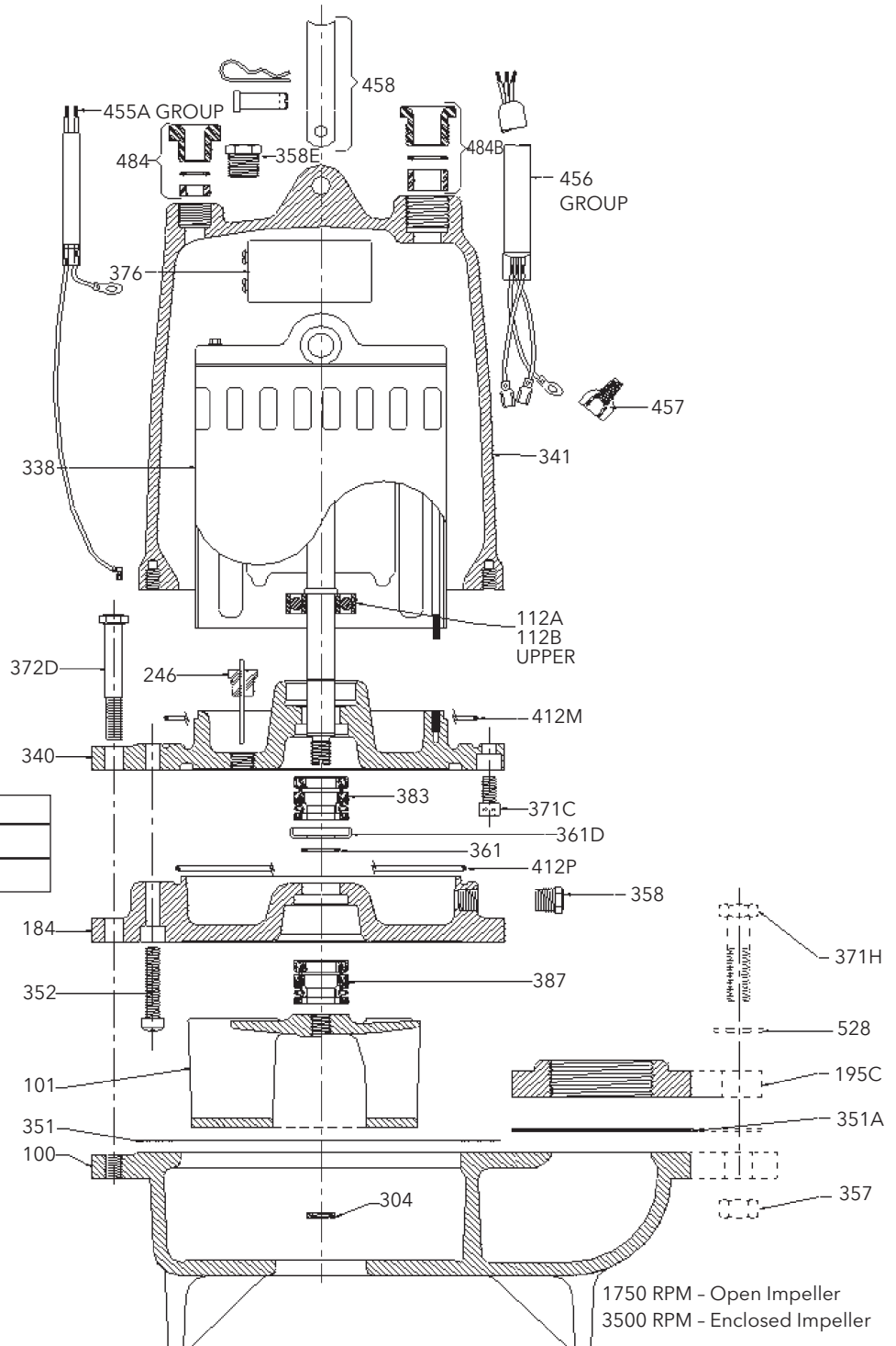
| Item No. 456, Power Cables | Type and AWG Size | Standard length | | | | Wt. (lbs./5 ft.) |
|--|-------------------|-----------------|--------|--------|--------|------------------|
| | | 20' | 30' | 50' | 100' | |
| 1 PH: 1/3 HP, 115 V; standard with plug, optional lengths have bare leads. | SJTOW - 16/3 | 9K165 | 9K214 | 9K215 | N/A | 0.5 |
| 1 PH: 1/2 HP, 115 V; standard with plug, optional lengths have bare leads. | STOW - 14/3 | 9K385 - SJTOW | 9K216* | 9K161* | 9K217* | 0.9 |
| 1 PH: 1/3 & 1/2 HP, 208 & 230 V; standard with plug, opt. lengths have bare leads. | SJTOW - 16/3 | 9K164 | 9K214 | 9K215 | N/A | 0.5 |
| 1 PH: 3/4 - 1 HP, 208 & 230 V with bare leads. | STOW - 14/3 | 9K163 | 9K216 | 9K161 | 9K217 | 0.9 |
| 3 PH: 1/2 - 1 HP, 200-230/460/575 V with bare leads. | STOW - 14/4 | 9K153 | 9K218 | 9K154 | 9K219 | 1.1 |
| Item No. 455A, Sensor Cables | | | | | | |
| Mechanical Seal Sensor - Standard for All Models | SJTOW - 16/2 | 9K189 | 9K220 | 9K221 | 9K222 | 0.5 |
| Mechanical Seal/Heat Sensor - Optional for 3-Phase Models | SJTOW - 18/4 | 9K237 | 9K238 | 9K239 | 9K240 | 0.5 |

* Requires 5K111 Strain Relief Assembly and 1K208 Motor Cover.

MODEL 2WD/3WD (1725 RPM)

| Item No. | Part Description | Material | Qty. Req. | Repair Parts Order Number | | | | Max. Wt. (lbs.) |
|----------|---|-----------------------------------|-----------|--|----------------------|--|--|-----------------|
| | | | | 1725 RPM | | | | |
| | | | | 1/3 HP | 1/2 HP | 3/4 HP | 1 HP | |
| 100 | Casing | Cast Iron | 1 | 1K178 | | | | 16.5 |
| 101 | Impeller | Cast Iron | 1 | 2K268 E = 4 ¹¹ / ₁₆ " | 2K239 D = 5" | 2K240 C = 5 ³ / ₈ " | 2K241 B = 5 ³ / ₄ " | 3.0 |
| | Impeller | Bronze | 1 | 2K279 E = 4 ¹¹ / ₁₆ " | 2K280 D = 5" | 2K281 C = 5 ³ / ₈ " | 2K282 B = 5 ³ / ₄ " | 3.5 |
| 112A | Lower Ball Bearing | Steel | 1 | 4K132 | | | | - |
| 112B | Upper Ball Bearing | Steel | 1 | 4K132 | | | | - |
| 184 | Seal Housing | Cast Iron | 1 | 1K229 | | | | 9.5 |
| 195C | Discharge Flange - Standard 2" NPT | Cast Iron | 1 | 6K76 | | | | 1.5 |
| | Discharge Flange - Optional 3" NPT | | | A1-3 | | | | |
| 218 | Insulating Oil - Gallons Required | Turbine Oil - ASTM150 | - | 4K432 | | | | 7.5 lbs./gal. |
| | Gallons Required in Seal Housing | | | 0.10 | | | | |
| | Gallons Required in Motor Cover | | | 1.0 | | | | |
| 246 | Seal Sensor - Plug and Rod | Nylon/Brass | 1 | 9K198 | | | | - |
| 304 | Impeller Locknut - All | AISI 300 SS | 1 | 13K286 | | | | - |
| 338 | Motor - 1 Phase, 115V | Stainless Steel Shaft | 1 | 119-493R | 119-493R | N/A | N/A | 13.0 to 24.0 |
| | Motor - 1 Phase, 208V | | | 119-4981R | 119-4981R | 119-4983R | 119-4983R | |
| | Motor - 1 Phase, 230V | | | 119-494R | 119-494R | 119-496R | 119-496R | |
| | Motor - 3 Phase, 200V | | | N/A | 119-4961R | 119-4963R | 119-4963R | |
| | Motor - 3 Phase, 230/460V | | | N/A | 119-4911R | 119-4913R | 119-4913R | |
| | Motor - 3 Phase, 575V | | | N/A | 119-4921R | 119-4923R | 119-4923R | |
| 340 | Bearing Housing | Cast Iron | 1 | 1K228 | | | | 10.0 |
| 341 | Motor Cover - 1 Phase | Cast Iron | 1 | 1K230 | | 1K231 | | 20.0 |
| | Motor Cover - 3 Phase | | | 1K231 | | | | |
| 351 | Casing Gasket | Composite | 1 | 5K170 | | | | - |
| 351A | Discharge Flange Gasket | Composite | 1 | 5K150 | | | | - |
| 352 | Skt. Hd. Screw - Seal Hsg. to Motor Cover | AISI 300 SS | 2 | 13K219 | | | | - |
| 357 | Hex Nut - Discharge Flange | AISI 300 SS | 2 | 13K99 | | | | - |
| 358 | Plug - Seal Housing 1/4" NPT | AISI 300 SS | 1 | 6K168 | | | | - |
| 358E | Plug - Motor Cover 3/8" NPT | AISI 300 SS | 1 | 6K169 | | | | - |
| 361 | Retaining Ring | AISI 300 SS | 1 | 4K375 | | | | - |
| 361D | Seal Retainer | AISI 300 SS | 1 | 4K379 | | | | - |
| 371C | Skt. Hd. Screw - Brg. Hsg. to Motor Cover | AISI 300 SS | 2 | 13K271 | | | | - |
| 371H | Hex Cap Screw - Discharge Flange | AISI 300 SS | 2 | 13K153 | | | | - |
| 372D | Hex Cap Screw - Housing to Casing | AISI 300 SS | 4 | 13K222 | | | | - |
| 376 | Capacitor (1 Phase only) - Start | Varies | 1 | 9K197 | | 9K235 | | - |
| 383 | Mechanical Seal - Upper | Carbon/Ceramic | 1 | 10K121 (Type 16) | | | | - |
| 387 | Mechanical Seal - Lower (Standard) | Silicon Carbide | 1 | 10K120 (Type 16) | | | | - |
| | Mechanical Seal - Lower (Optional) | Tungsten Carbide | 1 | 10K122 (Type 16) | | | | - |
| 412M | O-ring - Motor Cover | BUNA-N, AS568A-166 | 1 | 4K252 | | | | - |
| 412P | O-ring - Seal/Bearing Housing | BUNA-N, AS568A-163 | 1 | 5K181 | | | | - |
| 457 | Wire Nut | Power Cable - 3 Ph., 460V | 1 pkg. | N/A | 9K145 (package of 8) | | | - |
| | | Seal/Heat Cable - Opt. 3 Ph. Only | 1 pkg. | 9K145 (package of 8) | | | | - |
| 458 | Handle Assembly | AISI 300 SS | 1 | 4K243 | | | | - |
| 484 | Strain Relief Assembly, Sensor Cable | Varies | 1 | 5K113 | | | | - |
| 484B | Strain Relief Assembly (Power Cable) | 1 Phase | 1 | 5K113 | | 5K111 | | - |
| | | 3 Phase | | N/A | 5K111 | | | |
| 528 | Washer - Discharge Flange | AISI 300 SS | 2 | 13K82 | | | | - |
| - | Heat Sensor Kit (Optional) | - | 1 | 9K261 | | | | - |
| - | Seal Installation Tool | - | 1 | A02A013 | | | | - |
| - | Loctite #271 | - | 1 | AL27121 | | | | - |

MODEL 2WD/3WD



CAPACITOR DATA

| "K" no. | MFD | VAC |
|---------|---------|-----|
| 9K197 | 161/193 | 110 |

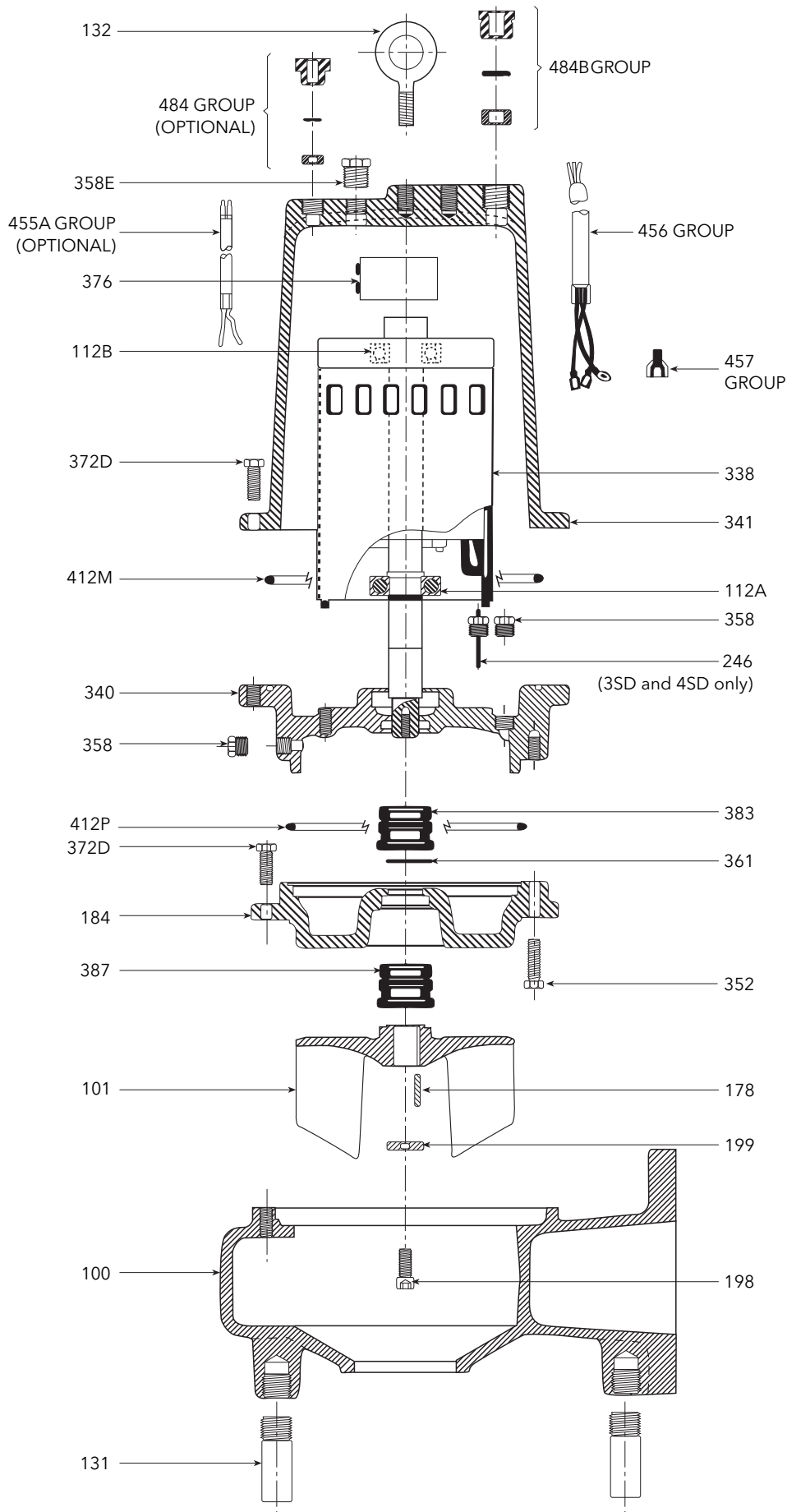
| Item No. 456, Power Cables | Type and AWG Size | Standard length | | | | Wt. (lbs./5 ft.) |
|--|-------------------|-----------------|--------|--------|--------|------------------|
| | | 20' | 30' | 50' | 100' | |
| 1 PH: 1/3 HP, 115 V; standard with plug, optional lengths have bare leads. | SJTOW - 16/3 | 9K165 | 9K214 | 9K215 | N/A | 0.5 |
| 1 PH: 1/2 HP, 115 V; standard with plug, optional lengths have bare leads. | STOW - 14/3 | 9K385 - SJTOW | 9K216* | 9K161* | 9K217* | 0.9 |
| 1 PH: 1/3 & 1/2 HP, 208 & 230 V; standard with plug, opt. lengths have bare leads. | SJTOW - 16/3 | 9K164 | 9K214 | 9K215 | N/A | 0.5 |
| 1 PH: 3/4 - 1 HP, 208 & 230 V with bare leads. | STOW - 14/3 | 9K163 | 9K216 | 9K161 | 9K217 | 0.9 |
| 3 PH: 1/2 - 1 HP, 200-230/460/575 V with bare leads. | STOW - 14/4 | 9K153 | 9K218 | 9K154 | 9K219 | 1.1 |
| Item No. 455A, Sensor Cables | | | | | | |
| Mechanical Seal Sensor - Standard for All Models | SJTOW - 16/2 | 9K189 | 9K220 | 9K221 | 9K222 | 0.5 |
| Mechanical Seal/Heat Sensor - Optional for 3-Phase Models | SJTOW - 18/4 | 9K237 | 9K238 | 9K239 | 9K240 | 0.5 |

* Requires 5K111 Strain Relief Assembly and 1K208 Motor Cover.

MODEL 2WD/3WD (3500 RPM)

| Item No. | Part Description | Material | Qty. Req. | Repair Parts Order Number | | | | Max. Wt. (lbs.) |
|----------|---|-----------------------------------|---------------|--|---|---|--|--------------------|
| | | | | 3450 RPM | | | | |
| | | | | 1/3 HP | 1/2 HP | 3/4 HP | 1 HP | |
| 100 | Casing | Cast Iron | 1 | 1K330 | | | | 16.5 |
| 101 | Impeller | Cast Iron | 1 | 2K858 K = 2 ¹⁵ / ₁₆ " | 2K856 J = 3 ³ / ₁₆ " | 2K854 H = 3 ⁷ / ₁₆ " | 2K852 A = 3 ³ / ₄ " | 3.0 |
| | Impeller | Bronze | 1 | 2K859 E = 2 ¹⁹ / ₁₆ " | 2K857 J = 3 ³ / ₁₆ " | 2K855 H = 3 ⁷ / ₁₆ " | 2K853 A = 3 ³ / ₄ " | 3.5 |
| 112A | Lower Ball Bearing | Steel | 1 | 4K132 | | | | - |
| 112B | Upper Ball Bearing | Steel | 1 | 4K132 | | | | - |
| 184 | Seal Housing | Cast Iron | 1 | 1K229 | | | | 9.5 |
| 195C | Discharge Flange - Standard 2" NPT | Cast Iron | 1 | 6K76 | | | | 1.5 |
| | Discharge Flange - Optional 3" NPT | | | A1-3 | | | | |
| 218 | Insulating Oil - Gallons Required | Turbine Oil - ASTM150 | - | 4K432 | | | | 7.5 lbs./gal. |
| | Gallons Required in Seal Housing | | | 0.10 | | | | |
| | Gallons Required in Motor Cover | | | 1.0 | | | | |
| 246 | Seal Sensor - Plug and Rod | Nylon/Brass | 1 | 9K191 | | | | - |
| 304 | Impeller Locknut - All | AISI 300 SS | 1 | 13K286 | | | | - |
| 338 | Motor - 1 Phase, 115V | Stainless Steel Shaft | 1 | 119-4931R | 119-4931R | N/A | N/A | 13.0 to 24.0 |
| | Motor - 1 Phase, 208V | | | 119-4992R | 119-4992R | 119-4992R | 119-4994R | |
| | Motor - 1 Phase, 230V | | | 119-4932R | 119-4932R | 119-4934R | 119-4934R | |
| | Motor - 3 Phase, 200V | | | N/A | 119-4971R | 119-4973R | 119-4973R | |
| | Motor - 3 Phase, 230/460V | | | N/A | 119-4941R | 119-4943R | 119-4943R | |
| | Motor - 3 Phase, 575V | | | N/A | 119-4951R | 119-4954R | 119-4954R | |
| 340 | Bearing Housing | Cast Iron | 1 | 1K228 | | | | 10.0 |
| 341 | Motor Cover - 1 Phase | Cast Iron | 1 | 1K230 | | 1K231 | | 20.0 |
| | Motor Cover - 3 Phase | | | 1K231 | | | | |
| 351 | Casing Gasket | Composite | 1 | 5K170 | | | | - |
| 351A | Discharge Flange Gasket | Composite | 1 | 5K150 | | | | - |
| 352 | Skt. Hd. Screw - Seal Hsg. to Motor Cover | AISI 300 SS | 2 | 13K219 | | | | - |
| 357 | Hex Nut - Discharge Flange | AISI 300 SS | 2 | 13K99 | | | | - |
| 358 | Plug - Seal Housing 1/4" NPT | AISI 300 SS | 1 | 6K168 | | | | - |
| 358E | Plug - Motor Cover 3/8" NPT | AISI 300SS | 1 | 6K169 | | | | - |
| 361 | Retaining Ring | AISI 300 SS | 1 | 4K375 | | | | - |
| 361D | Seal Retainer | AISI 300 SS | 1 | 4K379 | | | | - |
| 371C | Skt. Hd. Screw - Brg. Hsg. to Motor Cover | AISI 300 SS | 2 | 13K271 | | | | - |
| 371H | Hex Cap Screw - Discharge Flange | AISI 300 SS | 2 | 13K153 | | | | - |
| 372D | Hex Cap Screw - Housing to Casing | AISI 300 SS | 4 | 13K222 | | | | - |
| 376 | Capacitor (1 Phase only) - Start | Varies | 1 | 9K197 | | | | - |
| 383 | Mechanical Seal - Upper | Carbon/Ceramic | 1 | 10K121 (Type 16) | | | | - |
| 387 | Mechanical Seal - Lower (Standard) | Silicon Carbide | 1 | 10K120 (Type 16) | | | | - |
| | Mechanical Seal - Lower (Optional) | Tungsten Carbide | 1 | 10K122 (Type 16) | | | | - |
| 412M | O-ring - Motor Cover | BUNA-N, AS568A-166 | 1 | 4K252 | | | | - |
| 412P | O-ring - Seal/Bearing Housing | BUNA-N, AS568A-163 | 1 | 5K181 | | | | - |
| 457 | Wire Nut | Power Cable - 3 Ph., 460V | Special | 1 pkg. | N/A | 9K145 (package of 8) | | - |
| | | Seal/Heat Cable - Opt. 3 Ph. Only | Nylon Housing | 1 pkg. | 9K145 (package of 8) | | | |
| 458 | Handle Assembly | AISI 300 SS | 1 | 4K243 | | | | - |
| 484 | Strain Relief Assembly, Sensor Cable | Varies | 1 | 5K113 | | | | - |
| 484B | Strain Relief Assembly (Power Cable) | 1 Phase | Varies | 5K113 | | 5K111 | | - |
| | | 3 Phase | | N/A | 5K111 | | | |
| 528 | Washer - Discharge Flange | AISI 300 SS | 2 | 13K82 | | | | - |
| - | Heat Sensor Kit (Optional) | - | 1 | 9K261 | | | | - |
| - | Seal Installation Tool | - | 1 | A02A013 | | | | - |
| - | Loctite #271 | - | 1 | AL27121 | | | | - |

MODELS 3888D3/3SD, 3888D4/4SD



CAPACITOR DATA

| "K" no. | MFD | VAC | Qty. Req. |
|--------------------|-----|-----|--------------|
| 9K144 ^① | 20 | 370 | 2 |
| 9K233 ^② | 30 | 370 | 2 |
| 9K262 | 50 | 370 | 2 |
| 9K332 | 60 | 370 | See item 376 |
| 9K456 ^③ | 40 | 370 | 2 |

① Used prior to March 1991.

② Replaced by 60 mfd.

③ Used on new 1½ & 2 HP motors after May 2006 – check capacitor ratings before ordering replacements.

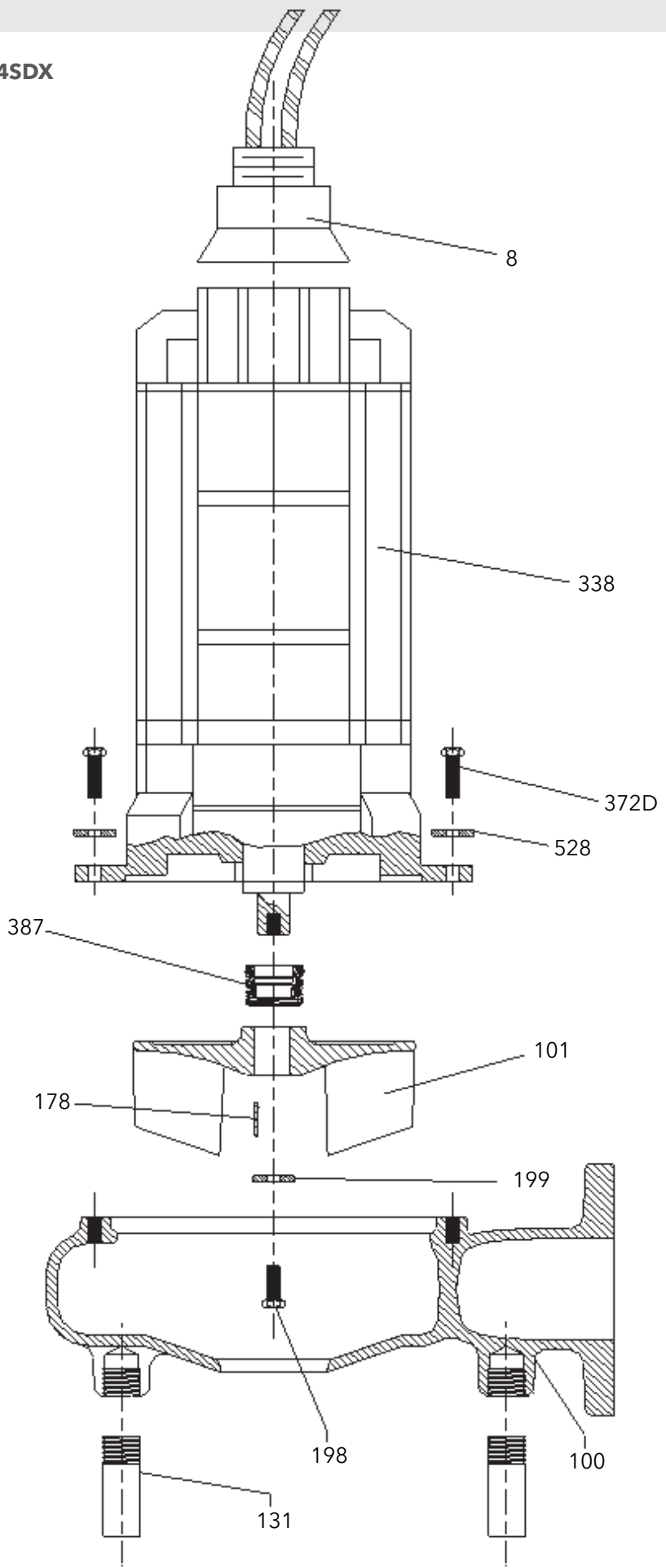
MODELS 3888D3/3SD, 3888D4/4SD

| Item No. | Part Description | Material | Qty. Req. | Repair Parts Order Number - 1725 RPM | | | | | | Max. Wt. (Lbs.) | |
|----------|---|------------------------|-----------|--|--|----------------|----------------|----------------|----------------|-----------------|------|
| | | | | 1 1/2 HP M | 1 1/2 HP | 2 HP | 3 HP | 5 HP | 7 1/2 HP | | |
| 100 | Casing - 3888D3, 3SD | Cast Iron | 1 | 1K190 | | | | | | 42.0 | |
| | Casing - 3888D4, 4SD | | | 1K219 | | | | | | 52.0 | |
| 101 | Impeller - 3888D3, 3SD, Standard | Cast Iron | 1 | 2K514 5 1/4" | 2K24 6 1/2" | 2K25 7.0" | 2K26 7 1/4" | 2K27 8.0" | N/A | 7.0 | |
| | Impeller - 3888D3, 3SD, Optional | Bronze | | 2K515 5 1/4" | 2K284 6 1/2" | 2K285 7.0" | 2K286 7 1/4" | 2K287 8.0" | N/A | 8.0 | |
| | Impeller - 3888D4, 4SD, Standard | Cast Iron | | 2K512 5 5/8" | 2K294 6 1/4" | 2K295 6 5/8" | 2K296 7.0" | 2K830 7 1/4" | 2K532 7 11/16" | 7.5 | |
| | Impeller - 3888D4, 4SD, Optional | Bronze | | 2K513 5 5/8" | 2K329 6 1/4" | 2K328 6 5/8" | 2K327 7.0" | 2K326 7 1/4" | 2K533 7 11/16" | 8.5 | |
| 112A | Lower Ball Bearing | Steel | 1 | 4K135 | | | | | | 4K402 | - |
| 112B | Upper Ball Bearing | Steel | 1 | 4K384 | | | | | | - | |
| 131 | Pump Leg - Standard | Steel | 3 | 4K42 | | | | | | - | |
| | Pump Leg - Optional | Cast Iron | 1 | 4K625 | | | | | | - | |
| 132 | Eye Bolt | Galvanized Steel | 1 | 13K193 | | | | | | - | |
| 178 | Impeller Key | AISI 300 SS | 1 | 4K11 | | | | | | - | |
| 184 | Seal Housing - 3888D3, 3SD | Cast Iron | 1 | 1K189 | | | | | | N/A | 19.0 |
| | Seal Housing - 3888D4, 4SD | Cast Iron | 1 | 1K218 | | | | | | 18.0 | |
| 198 | Impeller Bolt | 17-4PH SS | 1 | 13K48 | | | | | | - | |
| 199 | Impeller Washer | AISI 300 SS | 1 | 13L39 | | | | | | - | |
| 218 | Insulating Turbine Oil | Turbine Oil - ASTM 150 | - | 4K432 | | | | | | 7.5 lbs./gal. | |
| | Gallons required in Seal Housing | | | 3888D3, 3SD - .44 - 3888D4, 4SD - .38 | | | | | | | |
| | Gallons required in Motor Cover | | | 1.75 | | | | 1.5 | | | |
| 246 | Seal Sensor - Available Only on 3SD, 4SD | Nylon/Brass | 1 | 9K191 | | | | | | - | |
| 338 | Motor - 1 Phase, 208V | Stainless Steel Shaft | 1 | 114-9210R | 114-9210R | 114-9210R | 114-9210R | N/A | N/A | - | |
| | Motor - 1 Phase, 230V | | | 114-925R | 114-925R | 114-926R | 114-927R | 114-928R | N/A | | |
| | Motor - 3 Phase, 200V | | | 114-9230R | 114-9230R | 114-9230R | 114-9231R | 114-9232R | N/A | | |
| | Motor - 3 Phase, 230/460 V | | | 114-9217R | 114-9217R | 114-9217R | 114-9218R | 114-9219R | 119-961R | | |
| | Motor - 3 Phase, 575 V | | | 114-9227R | 114-9227R | 114-9227R | 114-9228R | 114-9229R | 119-963R | | |
| 340 | Bearing Housing | Cast Iron | 1 | 1K176 | | | | | | 1K303 | 28.0 |
| 341 | Motor Cover - 3888D3, 3888D4 | Cast Iron | 1 | 1K177 | | | | | | 39.0 | |
| | Motor Cover - 3SD, 4SD | Cast Iron | 1 | 1K299 | | | | | | 39.0 | |
| 352 | Hex Cap Screw-Seal Housing to Bearing Housing | AISI 300 SS | 4 | 13K81 | | | | | | - | |
| 358 | Plug - Seal Housing 1/4" NPT | AISI 300 SS | 2 | 6K168 | | | | | | - | |
| 358E | Plug - Motor Cover 1/2" NPT | AISI 300 SS | 1* | 6K170 | | | | | | - | |
| 361 | Retaining Ring | AISI 300 SS | 1 | 4K305 | | | | | | - | |
| 372D | Hex Screw - Bearing Housing to Motor Cover and Seal Housing to Casing | AISI 300 SS | 8 | 13K186 | | | | | | - | |
| 376 | Capacitor, Run - 1 Phase, 208 V | Varies | 1 | 9K262 Qty. - 2 | 9K262 Qty. - 2 | 9K262 Qty. - 2 | 9K262 Qty. - 2 | N/A | | - | |
| | Capacitor, Run - 1 Phase, 230 V - 9K332, pre D06 - 2 HP, pre F06 - 1.5 HP | | | 9K332 Qty. - 1 | 9K332 Qty. - 1 | 9K332 Qty. - 1 | 9K262 Qty. - 2 | 9K332 Qty. - 2 | N/A | - | |
| | Capacitor, Run - 1 Phase, 230 V - 9K456, D06 - 2 HP, F06 - 1.5 HP | | | 9K456 Qty. - 2 | 9K456 Qty. - 2 | 9K456 Qty. - 2 | 9K262 Qty. - 2 | 9K332 Qty. - 2 | N/A | - | |
| 383 | Mechanical Seal - Upper | Carbon/Ceramic | 1 | 10K21 (Type 21) | | | | | | - | |
| 387 | Mechanical Seal - Lower (Standard) | Silicon Carbide | 1 | 10K28 (Type 31) | | | | | | - | |
| | Mechanical Seal - Lower (Optional) | Tungsten Carbide | 1 | 10K22 (Type 31) | | | | | | - | |
| 412M | O-Ring - Bearing Housing to Motor Cover | BUNA-N, AS568A-374 | 1 | 4K242 | | | | | | - | |
| 412P | O-Ring - Bearing Housing to Seal Housing | BUNA-N, AS568A-265 | 1 | 5K74 | | | | | | - | |
| 457 | Wire Nut (Power Cable) | Special Nylon Housing | 2 | 9K145 (14/3 Cords), 9K252 (10/3 Cords) | | | | | | N/A | - |
| | | | | 6 | 9K145 (14/4 Cords), 9K252 (10/4 Cords) | | | | | | - |
| | | | | | 2 | 9K145 | | | | | |
| 484 | Strain Relief Assembly - Sensor Cable | Varies | 1 | 5K113 | | | | | | - | |
| 484B | Strain Relief Assembly (Power Cable) | Varies | 1 | 5K234 (14/3 Cords), 5K355 (10/3 Cords) | | | | | | N/A | - |
| | | | | 5K226 (14/4 Cords), 5K227 (10/4 Cords) | | | | | | - | |
| | Seal Installation Tool - Guide | Delrin | 1 | A01A008 | | | | | | - | |
| | Seal Installation Tool - Driver | Delrin | 1 | A02A017 | | | | | | - | |
| | Loctite #271 | | 1 | AL27121 | | | | | | - | |

* 1 for 3SD/4SD and 2 for 3888D3/3888D4.

| Power and Sensor Cables Description | Type and AWG Size | Standard Length | Optional Lengths | | | | Wt. (lbs./5 ft.) |
|---|-------------------|-----------------|------------------|-------|-------|-----|------------------|
| | | 20' | 30' | 50' | 100' | | |
| Item No. 456, Power Cables | | | | | | | |
| 1 PH: 1 1/2 and 2 HP, 230 V, standard with bare leads. | STOW - 14/3 | 9K266 | 9K267 | 9K268 | 9K269 | 0.9 | |
| 1 PH: 2 HP, 3 HP and 5 HP, 208 V, standard with bare leads. | STOW - 10/3 | 9K289 | 9K290 | 9K291 | 9K293 | 1.6 | |
| 3 PH: 1 1/2, 2 HP, 3 HP (except 200 V) and 5 HP, 460 V, 575 V - bare leads. | STOW - 14/4 | 9K153 | 9K218 | 9K154 | 9K219 | 1.1 | |
| 3 PH: 3 HP, 200 V, 5 HP 200/230 V and all 7 1/2 HP - bare leads. | STOW - 10/4 | 9K251 | 9K247 | 9K248 | 9K250 | 1.6 | |
| Item No. 455A, Sensor Cables | | | | | | | |
| Mechanical Seal Sensor: Standard on 3SD and 4SD. (N/A on 3888D3 and 3888D4) | SJTOW - 16/2 | 9K189 | 9K220 | 9K221 | 9K222 | 0.5 | |
| Seal/Heat Sensor: Optional on 3SD and 4SD. | SJTOW - 18/4 | 9K237 | 9K238 | 9K239 | 9K240 | 0.5 | |

MODELS 3SDX/4SDX



MODELS 3SDX/4SDX

| Item No. | Part Description | Material | Qty. Req'd. | Repair Parts Order Number | | | | | Max. Wt. (lbs.) | |
|-----------|---------------------------------|----------------------------|------------------|--|--|---|--|--|-----------------|---------------------------------|
| | | | | 1750 RPM | | | | | | |
| | | | | 1½ HP | 2 HP | 3 HP | 5 HP | 7½ HP | | |
| 100 | Casing - 3SDX | Cast Iron | 1 | 1K429 | | | | | 35.0 | |
| | Casing - 4SDX | | | 1K428 | | | | | 53.0 | |
| 101 | Impeller - 3SDX | Cast Iron | 1 | 2K918 5 ¹³ / ₁₆ " | 2K916 6 ¹ / ₈ " | 2K914 6 ³ / ₄ " | 2K912 7 ⁵ / ₈ " | 2K910 8 ⁵ / ₁₆ " | | |
| | Impeller - 3SDX | Bronze | | 2K919 5 ¹³ / ₁₆ " | 2K917 6 ¹ / ₈ " | 2K915 6 ³ / ₄ " | 2K913 7 ⁵ / ₈ " | 2K911 8 ⁵ / ₁₆ " | | |
| | Impeller - 4SDX | Cast Iron | | N/A | 2K904 5 ¹¹ / ₁₆ " | 2K906 6 ⁵ / ₁₆ " | 2K908 7 ¹ / ₈ " | 2K532 7 ¹¹ / ₁₆ " | | |
| | Impeller - 4SDX | Bronze | | | 2K905 5 ¹¹ / ₁₆ " | 2K907 6 ⁵ / ₁₆ " | 2K909 7 ¹ / ₈ " | 2K533 7 ¹¹ / ₁₆ " | | |
| 131 | Foot - Standard | Steel | 3 | 4K42 | | | | | - | |
| | Foot - Optional | Cast Iron | 1 Kit | 4K625 | | | | | - | |
| 178 | Impeller Key | AISI 300 SS | 1 | 4K11 | | | | | - | |
| 198 | Impeller Bolt | 17-4 PH | 1 | 13K48 | | | | | - | |
| 199 | Impeller Washer | AISI 300 SS | 1 | 13L39 | | | | | - | |
| 338 | Motor | Stainless Steel | 1 | 1 Phase, 230V | 278-72 12 | 278-72 22 | 278-72 32 | N/A | N/A | 180TY 200 lbs. Air Filled |
| | | | | 3 Phase, 200V | 278-72 13 | 278-72 23 | 278-72 33 | 278-72 43 | 278-72 53 | |
| | | | | 3 Phase, 230V | 278-72 14 | 278-72 24 | 278-72 34 | 278-72 44 | 278-72 54 | |
| | | | | 3 Phase, 460V | 278-72 15 | 278-72 25 | 278-72 35 | 278-72 45 | 278-72 55 | |
| | | | | 3 Phase, 575V | 278-72 16 | 278-72 26 | 278-72 36 | 278-72 46 | 278-72 56 | |
| 372D | Hex Cap Screw - Casing to Motor | AISI 300 SS | 8 | 13K304 | | | | | - | |
| NEW STYLE | 387 | Mechanical Seal - Standard | Carbon/Ceramic | 1 | 10K137 (180TY) | | | | | - |
| | | Mechanical Seal - Optional | Silicon/Silicon | 1 | 10K134 (180TY) | | | | | |
| | | Mechanical Seal - Optional | Silicon/Tungsten | 1 | 10K135 (180TY) | | | | | |
| OLD STYLE | 387 | Mechanical Seal - Standard | Carbon/Ceramic | 1 | 10K136 (140TY) | | | | | - |
| | | Mechanical Seal - Optional | Silicon/Silicon | 1 | 10K132 (140TY) | | | | | |
| | | Mechanical Seal - Optional | Silicon/Tungsten | 1 | 10K133 (140TY) | | | | | |
| 528 | Lockwasher | AISI 300 SS | 8 | 13K158 | | | | | - | |

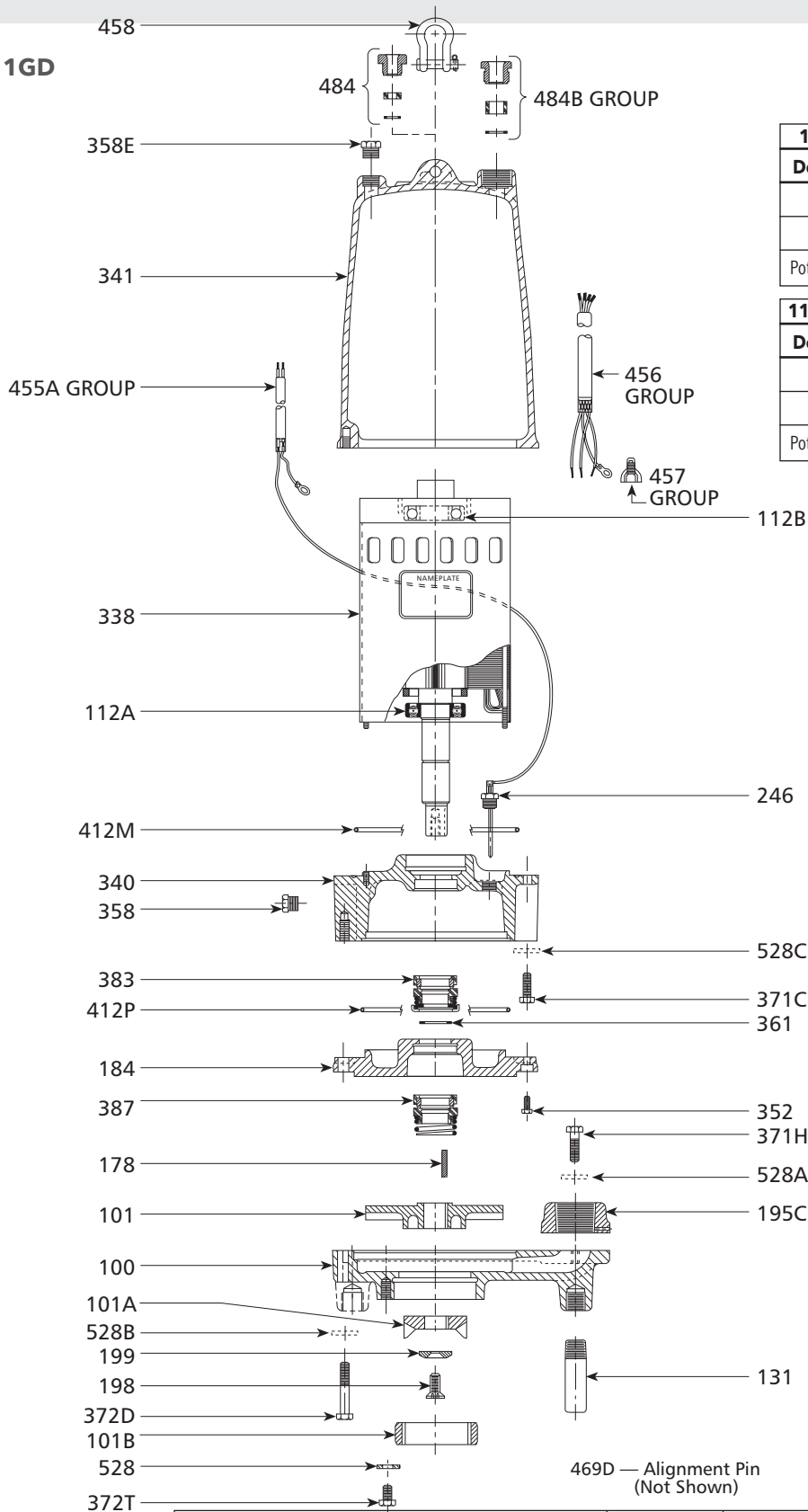
| Reliance | Part Description | Material | Quantity | Repair No. | Motor Frame |
|--------------------|-------------------------------------|----------------|----------|------------|-------------|
| Motor Repair Parts | Mechanical Seal Kit - Upper & Lower | Carbon/Ceramic | 1 Set | 10K183 | 180TY |
| | Bearing Kit - Upper & Lower | Steel | 1 Set | 4K700 | |
| | O-Ring Kit | BUNA-N | 1 Set | 5K422 | |

| Item No. | Models 3SDX/4SDX, Power and Control Cap/Cables | Type and AWG Size | Standard length | Optional Lengths | Wt. (lbs./5 ft.) |
|----------|--|-------------------|-----------------|------------------|------------------|
| | | | 25' | 50' | |
| 8 | 1 PH: 1½ HP, 230V, 140TY | SOW, SOOW - 10/4 | 9K357 | 9K358 | |
| | 1 PH: 1½, 2 and 3 HP, 230V, 180TY | SOW, SOOW - 8/4 | 9K359 | 9K360 | |
| | 3 PH: 1½, 2 and 3 HP, 200-230/460/575V, 140TY | SOW, SOOW - 14/4 | 9K361 | 9K362 | |
| | 3 PH: 5 HP, 200-230/460V, 180TY | SOW, SOOW - 12/4 | 9K365 | 9K366 | |
| | 3 PH: 7½ HP, 200-230/460V, 180TY | SOW, SOOW - 10/4 | 9K367 | 9K368 | |
| | 3 PH: 5 and 7½ HP, 575V, 180TY | SOW, SOOW - 14/4 | 9K363 | 9K364 | |
| | 3 PH: 1½, 2 and 3 HP, 200, 230, 460, 575V, 180TY | SOW, SOOW - 14/4 | 9K363 | 9K364 | |

Control Cable is AWG Size 18/5 - SOW.

Wastewater

MODEL 1GD



| 114-92 New Capacitor Package - 10/05 | | | |
|--------------------------------------|--------|---------------------|-----|
| Description | Repair | MFD | VAC |
| Start Cap | | 238 | 330 |
| Run Cap | CP1GDB | 50 | 370 |
| Potential Relay | | 155031 - 102 or 110 | |

| 114-92 Old Capacitor Package - Pre 10/05 | | | |
|--|--------|---------------------|-----|
| Description | Repair | MFD | VAC |
| Start Cap | | 594 | 125 |
| Run Cap | CP-1B | 30 | 370 |
| Potential Relay | | RB60 (155031 - 102) | |

| Item No. 456, Power Cables | Type and AWG Size | Standard length | | | | Wt. (lbs./5 ft.) |
|---|-------------------|-----------------|-------|-------|-------|------------------|
| | | 20' | 30' | 50' | 100' | |
| 1 and 3 PH: 2 HP, 200-230/460/575V with bare leads. | STOW - 14/4 | 9K153 | 9K218 | 9K154 | 9K219 | 1.1 |
| Item No. 455A, Sensor Cables | | | | | | |
| Mechanical Seal Sensor - Optional | SJTOW - 16/2 | 9K189 | 9K220 | 9K221 | 9K222 | 0.5 |
| Heat Sensor - Standard 1 Phase, Optional 3 Phase. | SJTOW - 16/2 | 9K189 | 9K258 | 9K259 | 9K260 | 0.5 |
| Mechanical Seal/Heat Sensor - Optional | SJTOW - 18/4 | 9K237 | 9K238 | 9K239 | 9K240 | 0.5 |

MODEL 1GD

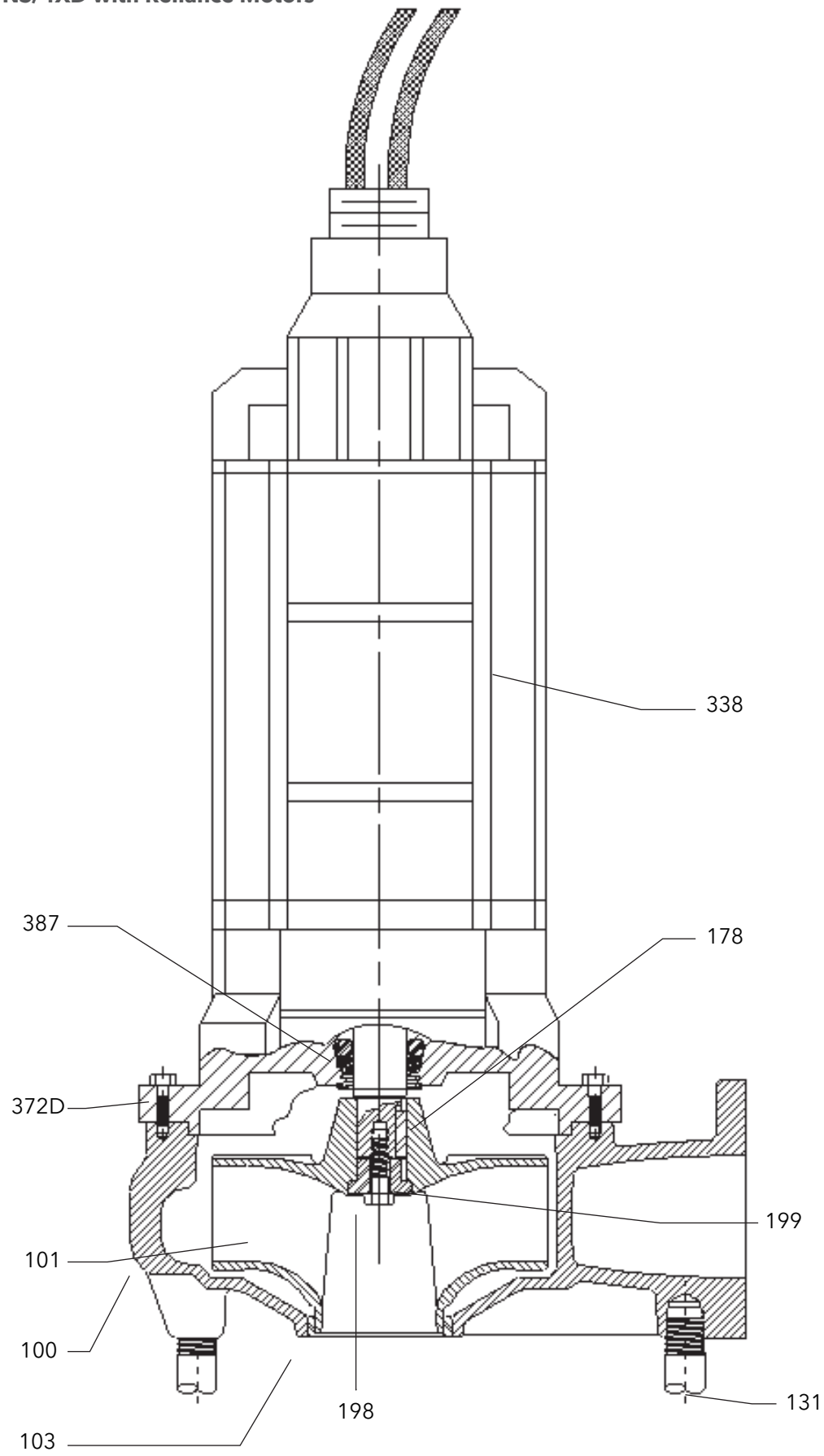
| Item No. | Part Description | Material | Quantity Required | Repair Parts Order Number | Weight (lbs.) |
|----------|--|--------------------------|-------------------------------|-----------------------------|--------------------|
| 100 | Casing | Cast Iron | 1 | 1K174 | 10.5 |
| 101 | Impeller - 8th Digit Model Designation and Diameter | Bronze | 1 | 2K247 A = 5 $\frac{5}{8}$ " | 3.0 |
| | | | | 2K332 B = 5 $\frac{1}{4}$ " | |
| | | | | 2K333 C = 4 $\frac{3}{4}$ " | |
| | | | | 2K334 D = 4 $\frac{1}{4}$ " | |
| 101A | Cutter | AISI 440C SS | 1 | 4K303 | 0.5 |
| 101B | Cutter Ring | AISI 440C SS | 1 | 4K304 | 0.5 |
| 112A | Lower Ball Bearing | Steel | 1 | 4K135 | - |
| 112B | Upper Ball Bearing | Steel | 1 | 4K384 | - |
| 131 | Foot - Standard | Steel | 3 | 4K343 | - |
| | Foot - Optional | Cast Iron | 1 Kit | 4K639 | |
| 178 | Impeller Key | AISI 300 SS | 1 | 4K11 | - |
| 184 | Seal Housing | Cast Iron | 1 | 1K226 | 8.5 |
| 195C | Discharge Flange | Cast Iron | 1 | 4K313 | 1.0 |
| 198 | Impeller Screw | AISI 300 SS | 1 | 13K190 | - |
| 199 | Impeller Washer | AISI 300 SS | 1 | 13K191 | - |
| 218 | Insulating Oil - Gallons Required | Turbine Oil - ASTM150 | - | 4K245 | 7.5 lbs./gal. |
| | Gallons Required in Seal Housing | | | 0.98 | |
| | Gallons Required in Motor Cover | | | 0.23 | |
| 246 | Seal Sensor - Plug and Rod (See Note) | Nylon/Brass | 1 | 9K191 | - |
| 338 | Motor - 1 Phase, 208V | Stainless Steel Shaft | 1 | 114-921R | 26.0 to 40.0 |
| | Motor - 1 Phase, 230V | | | 114-921R | |
| | Motor - 3 Phase, 200V | | | 114-9220R | |
| | Motor - 3 Phase, 230/460V | | | 114-9212R | |
| | Motor - 3 Phase, 575V | | | 114-9292R | |
| 340 | Bearing Housing | Cast Iron | 1 | 1K227 | 14.5 |
| 341 | Motor Cover with Seal Sensor (See Note) | Cast Iron | 1 | 1K197 | 23.0 |
| | Motor Cover without Seal Sensor (See Note) | | | 1K209 | |
| 352 | Screw - Seal Housing to Bearing Housing | AISI 300 SS | 2 | 13K347 | - |
| 358 | Plug - Bearing Housing $\frac{1}{4}$ " NPT | AISI 300 SS | 1 | 6K168 | - |
| 358E | Plug - Motor Cover $\frac{3}{8}$ " NPT | AISI 300 SS | 1 | 6K169 | - |
| 361 | Retaining Ring | Steel | 1 | 4K305 | - |
| 371C | Hex Cap Screw - Brg. Hsg. to Motor Cover | AISI 300 SS | 4 | 13K78 | - |
| 371H | Hex Cap Screw - Discharge Flange to Casing | AISI 300 SS | 2 | 13K186 | - |
| 372D | Hex Cap Screw - Casing to Bearing Housing | AISI 300 SS | 4 | 13K52 | - |
| 372T | Hex Cap Screw - Cutter Ring Retainer | AISI 300 SS | 3 | 13K218 | - |
| 383 | Mechanical Seal - Upper | Carbon/Ceramic | 1 | 10K21 (Type 21) | - |
| 387 | Mechanical Seal - Lower (Standard) | Silicon Carbon | 1 | 10K28 (Type 31) | - |
| | Mechanical Seal - Lower (Optional) | Tungsten Carbon | | 10K22 (Type 31) | |
| 412M | O-ring - Motor Cover | BUNA-N, AS568A-166 | 1 | 4K252 | - |
| 412P | O-ring - Seal/Bearing Housing | BUNA-N, AS568A-256 | 1 | 5K73 | - |
| 457 | Wire Nut | Nylon Housing | Power Cable - 1 Ph., 230V | 3 | 9K145 |
| | | | Power Cable - 3 Ph., 200/230V | 4 | |
| | | | Power Cable - 3 Ph., 460V | 6 | |
| | | | Power Cable - 3 Ph., 575V | 3 | |
| | | | Seal/Heat Cable - See Note | 2 | |
| 458 | Lifting Handle | 304 SS | 1 | 4K494 | - |
| 469D | Alignment Roll Pin (Not Shown) | Steel | 2 | 9K265 | - |
| 484 | Strain Relief Assembly, Sensor Cable (See Note) | Varies | 1 | 5K113 | - |
| 484B | Strain Relief Assembly, Power Cable | Varies | 1 | 5K111 | - |
| 528 | Washer - Cutter Ring Retainer | AISI 300 SS | 3 | 13K212 | - |
| 528A | Lockwasher - Discharge Flange to Casing | AISI 300 SS | 2 | 13K158 | - |
| 528B | Lockwasher - Casing to Bearing Housing | AISI 300 SS | 4 | 13K158 | - |
| 528C | Lockwasher - Bearing Housing to Motor Cover | AISI 300 SS | 4 | 13K117 | - |
| - | Heat Sensor Kit (See Note) | - | 1 | 9K261 | - |
| - | Seal Installation Tool - Guide | Delrin* | 1 | A01A008 | - |
| - | Seal Installation Tool - Driver | Delrin* | 1 | A02A017 | - |
| - | Loctite* #271 | - | 1 | AL27121 | - |

Notes: 1 phase (Old 114-92 #2 motor) has Heat Sensor (93711) supplied with motor, Goolds Water Technology 3 phase is optional, Marlow 3 phase is standard.

New 1 Phase 114-92 #1 motor has in-line thermal protector

Old 1 Phase 114-92 #2 motor had pilot duty thermal protector

MODELS 4NS/4XD with Reliance Motors



MODELS 4NS/4XD with Reliance Motors

| Item No. | Part Description | Material | Qty. Reqd. | Repair Parts Order Number | | | | | | | | Max. Wt. (lbs.) | | |
|----------|---------------------------------|------------------|------------|--|--------------------|---------------------|---------------------|---------------------|----------------------|----------------------|----------------------|---------------------|---------------------|---|
| | | | | 1750 RPM | | | | | | 1150 RPM | | | | |
| | | | | 7½ HP | 10 HP | 15 HP | 20 HP | 25 HP | 30 HP | 40 HP | 7½ HP | | 10 HP | |
| 100 | Casing - with Wear Ring | Cast Iron | 1 | 1K326 | | | | | | | | 75.0 | | |
| 101 | Impeller - 4NS/4XD | Cast Iron | | 2K781 7½" | 2K779 8" | 2K776 9" | 2K774 9¾" | 2K772 10½" | 2K771 10¾" | 2K770 11" | 2K773 10½" | 2K770 11" | 21.5- | |
| | Impeller - 4NS/4XD | Bronze | | 2K795 7½" | 2K793 8" | 2K790 9" | 2K788 9¾" | 2K786 10½" | 2K785 10¾" | 2K784 11" | 2K787 10½" | 2K784 11" | 25.0- | |
| 103 | Casing Wear Ring | Bronze | 1 | 4K264 | | | | | | | | 2.0 | | |
| 131 | Foot - Standard | Steel | 3 | 4K367 (Old), 4K42 (New) | | | | | | | | 2.0 | | |
| | Foot - Optional | Cast Iron | 1 Kit | 4K625 | | | | | | | | - | | |
| 178 | Impeller Key | AISI 300 SS | 1 | 4K392 | | | | | | | | - | | |
| 198 | Impeller Bolt | AISI 300 SS | 1 | 13K275 | | | | | | | | - | | |
| 199 | Impeller Washer | AISI 300 SS | 1 | 4K431 | | | | | | | | - | | |
| 338 | Motor | 3 Phase, 200V | 1 | Replace 279-26 with 279-27 for UL listed Explosion Proof Motor. Index Suffixes are the same. | 279-261 (210TY) | 279-2611 (210TY) | 279-2621 (210TY) | 279-2631 (210TY) | 279-2641 (250TYS) | 279-2651 (250TYS) | 279-2661 (250TYS) | 279-2671 (210TY) | 279-2681 (210TY) | 210TY 315 lbs. Air Filled 250TYS 750 lbs. Air Filled |
| | | 3 Phase, 230V | | | 279-262 (210TY) | 279-2612 (210TY) | 279-2622 (210TY) | 279-2632 (210TY) | 279-2642 (250TYS) | 279-2652 (250TYS) | 279-2662 (250TYS) | 279-2672 (210TY) | 279-2682 (210TY) | |
| | | 3 Phase, 400V | | | 279-263 (210TY) | 279-2613 (210TY) | 279-2623 (210TY) | 279-2633 (210TY) | 279-2643 (250TYS) | 279-2653 (250TYS) | 279-2663 (250TYS) | 279-2673 (210TY) | 279-2683 (210TY) | |
| | | 3 Phase, 460V | | | 279-264 (210TY) | 279-2614 (210TY) | 279-2624 (210TY) | 279-2634 (210TY) | 279-2644 (250TYS) | 279-2654 (250TYS) | 279-2664 (250TYS) | 279-2674 (210TY) | 279-2684 (210TY) | |
| | | 3 Phase, 575V | | | 279-265 (210TY) | 279-2615 (210TY) | 279-2625 (210TY) | 279-2635 (210TY) | 279-2645 (250TYS) | 279-2655 (250TYS) | 279-2665 (250TYS) | 279-2675 (210TY) | 279-2685 (210TY) | |
| 372D | Hex Cap Screw - Casing to Motor | AISI 300 SS | 8 | 13K45 | | | | | | | | - | | |
| 387 | Mechanical Seal - Standard | Carbon/Ceramic | 1 | 10K157 | | | | 10K160 | | 10K157 | | - | | |
| | Mechanical Seal - Optional | Silicon/Silicon | 1 | 10K158 | | | | 10K161 | | 10K158 | | | | |
| | Mechanical Seal - Optional | Silicon/Tungsten | 1 | 10K159 | | | | 10K162 | | 10K159 | | | | |

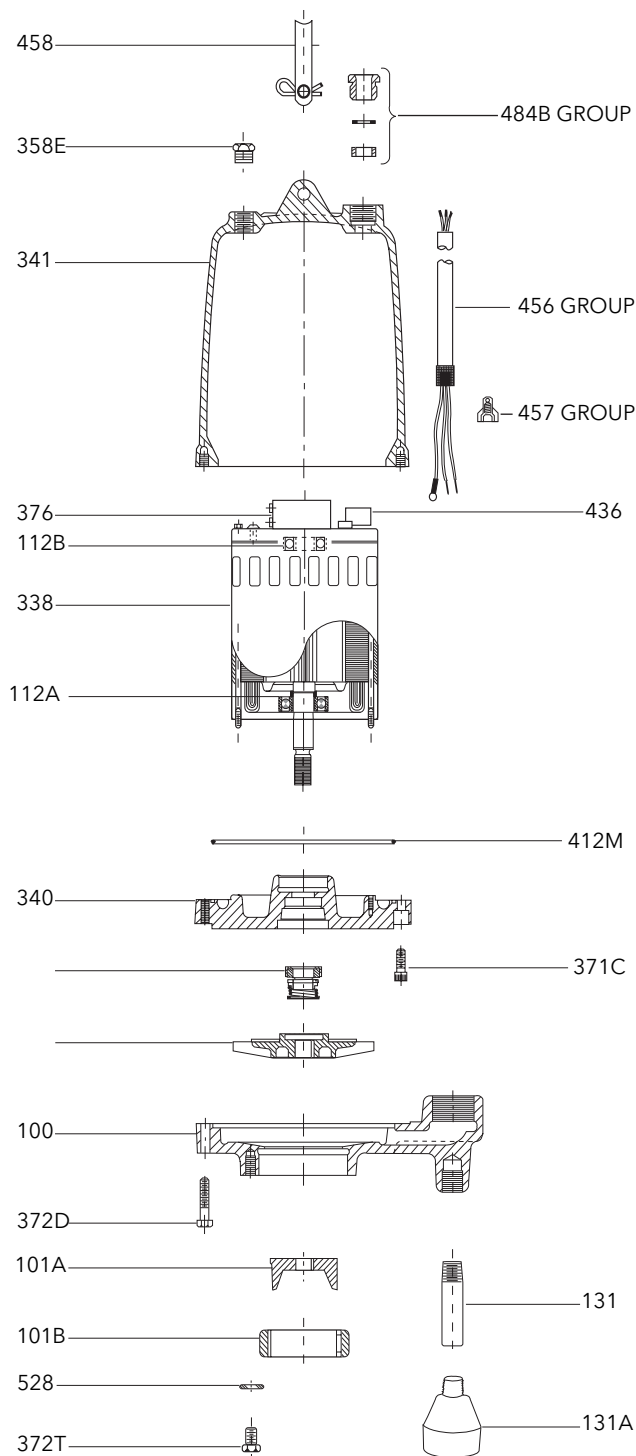
| Power and Control Cap/Cables for Reliance Motors | Type and AWG Size | Standard length | | Wt. (lbs./5 ft.) |
|--|-------------------|------------------|-------|------------------|
| | | Optional Lengths | | |
| | | 25' | 50' | |
| | SOW, S00W 14/4 | 9K423 | 9K431 | |
| | SOW, S00W 12/4 | 9K424 | 9K432 | |
| | SOW, S00W 10/4 | 9K425 | 9K433 | |
| | SOW, S00W 8/4 | 9K426 | 9K434 | |
| | SOW, S00W 6/4 | 9K427 | 9K435 | |
| | SOW, S00W 4/4 | 9K428 | 9K436 | |
| | SOW, S00W 2/4 | 9K429 | 9K437 | |
| | SOW, S00W 1/0/4 | 9K430 | 9K438 | |

Control Cable is AWG Size 18/5 - SOW-A, SO.

| Parts for Pumps with USEM Motors | | | | | | | |
|----------------------------------|----------------------------------|------------------|---|--------|--------|--------|-----|
| 372E | Hex Cap Screw - Bracket to Motor | AISI 300 SS | 2 | 13K226 | 13K277 | 13K226 | - |
| 387 | Mechanical Seal - Optional | Carbon/Ceramic | 1 | 10K82 | 10K142 | 10K82 | - |
| | Mechanical Seal - Optional | Silicon/Tungsten | 1 | 10K83 | 10K85 | 10K83 | - |
| 458 | Lift Bracket | AISI 300 SS | 1 | 4K433 | 4K434 | 4K433 | 3.5 |

| Reliance | Part Description | Material | Quantity | Repair No. | Motor Frame | Repair No. | Motor Frame |
|--------------------|-------------------------------------|----------------|----------|------------|-------------|------------|-------------|
| Motor Repair Parts | Mechanical Seal Kit - Upper & Lower | Carbon/Ceramic | 1 Set | 10K181 | 210TY | 10K182 | 250TY |
| | Bearing Kit - Upper & Lower | Steel | 1 Set | 4K698 | | 4K699 | |
| | O-Ring Kit | BUNA-N | 1 Set | 5K420 | | 5K421 | |

MODEL RGS2012



| Item No. | Part Name | Material | Qty. | Repair Parts Order Number | Wt. (lbs.) |
|----------|--|---------------------|---------|---------------------------|-------------|
| 100 | Casing | Cast iron | 1 | 1K313 | 11 |
| 101 | Impeller 5.69" dia. | Bronze | 1 | 2K705 | 2.0 |
| 101A | Cutter with shims | AISI 440C SS | 1 | 4K409 | 0.5 |
| 101B | Cutter ring | AISI 440C SS | 1 | 4K304 | 0.5 |
| 112A | Lower ball bearing | Steel | 1 | 4K384 | - |
| 112B | Upper ball bearing | Steel | 1 | 4K132 | - |
| 131 | Foot | Steel | 3 | 4K343 | - |
| 131A | Optional Pump Legs | Steel | 3 | 4K639 | - |
| 218 | Insulating oil | Turbine Oil ASTM150 | .98 gal | 4K432 See Index Page | 7.5 lbs/gal |
| 338 | Motor with Brg. Hsg. #340 | - | - | 120-212R | 19 |
| 340 | Bearing housing | Cast iron | - | | |
| 341 | Motor cover - Use with cord with NEMA plug | Cast iron | 1 | 1K207 | 18.5 |
| | power cable without plug | | | 1K208 | |
| 358E | Plug - motor cover 3/8" NPT | AISI 300 SS | 1 | 6K169 | - |
| 371C | Screw - bearing housing to motor cover | AISI 300 SS | 4 | 13K271 | - |
| 372D | Screw - casing to bearing housing | AISI 300 SS | 4 | 13K336 | - |
| 372T | Screw - cutter ring retainer | AISI 300 SS | 3 | 13K218 | - |
| 376 | Capacitor (start) | - | 1 | 9K353 | - |
| 387 | Mechanical seal (standard) | Silicon Carbide | 1 | 10K119 | - |
| | Mechanical seal (optional) | Tungsten Carbide | | 10K123 | - |
| 412M | O-ring - motor cover | BUNA-N | 1 | 4K252 | - |
| 436 | Solid state switch | - | 1 | 9K395 | - |
| 456 | Power cable | - | 1 | See power cable chart | - |
| 457 | Wire nut | Nylon | 2 | 9K145 | - |
| 458 | Handle assembly | AISI 300 SS | 1 | 4K243 | - |
| 484B | Strain relief assembly - power cable with plug | Varies | 1 | 5K113 | - |
| | power cable without plug | | | 5K111 | - |
| 528 | Washer - cutter ring retainer | AISI 300 SS | 3 | 13K212 | - |

RESIDENTIAL GRINDER POWER CABLES

| Residential Grinder Power Cables | Standard length | Optional Lengths | | | Wt. (lbs./5 ft) |
|---|-----------------|------------------|-------|-------|-----------------|
| | 20' | 30' | 50' | 100'* | |
| 1 Phase, 2 HP, 230V - STOW - 14/3 with bare leads | 9K266 | 9K267 | 9K268 | 9K269 | 0.9 |
| 1 Phase, 2 HP, 230V - SJTOW - 14/3 with Nema plug | 9K393 | 9K394 | N/A | N/A | 0.9 |

* Maximum allowable cord length. ** Includes 230V NEMA plug.

9K353 capacitor is a 295/355 MFD, 125 VAC start capacitor with resistor.

MODELS 1GA/2GA

| Pump | Impeller Code | Phase | Impeller | Repair Kit | Inner Seal | Outer Seal | Cutter Wheel | Cutter Ring |
|--------|---------------|-------|----------|------------|------------|------------|--------------|-------------|
| 3 HP | H | 1 | 2K1227 | 5K481 | 10K201 | 10K208 | 4K812 | 4K814 |
| 3 HP | L | 1 | 2K1228 | | | | | 4K818 |
| 5.4 HP | G | 1 | 2K1229 | 5K482 | 10K202 | 10K207 | 4K813 | 4K817 |
| 5.4 HP | K | 1 | 2K1230 | | | | | 4K816 |
| 9.4 HP | J | 1 | 2K1225 | 5K483 | 10K205 | 10K209 | | 4K819 |
| 9.4 HP | F | 1 | | | | | | 4K816 |
| 4 HP | C | 3 | 2K1222 | 5K505 | 10K201 | 10K206 | | 4K812 |
| 6 HP | B | 3 | 2K1223 | 5K482 | 10K202 | 10K207 | 4K813 | 4K815 |
| 6 HP | E | 3 | 2K1224 | | | | | 4K816 |
| 11 HP | A | 3 | 2K1226 | 5K480 | 10K204 | 10K205 | | 4K817 |
| 11 HP | D | 3 | 2K1225 | | | | | 4K816 |

Repair Kit Includes: Seals, O-rings, Bearings

O-Ring Kit: Includes all O-rings

Please contact Customer Service for part information: Phone (866) 325-4210 or Fax (888) 322-5877 (toll free).

CONTROL PANEL REPAIR PARTS

| RB Number* | Description | Control Panel | Manufacturer Name and Part Number |
|------------|--------------------------------|---|-------------------------------------|
| RB-1* | Single Phase Contactor, 2 Pole | Use RB-81* | Furnas, 41NB20AFP |
| RB-4 | Pump Circuit Breaker | SIFGC3-DIFGC3 | Square D, QOU240 |
| RB-5 | Pump Circuit Breaker | SIFGC5-DIFGC5 | Square D, QOU260 |
| RB-6 | Pump Circuit Breaker | A6-2012 | Square D, QOU220 |
| RB-24 | Three Phase Contactor, 3 Pole | D3-S3 | ABB DP30C3P-1/B |
| RB-25 | Three Phase Contactor with Aux | | ABB DP30C3P-CADP40-10 |
| RB-30 | Control Circuit Breaker | A6-2012 | Square D - QOU110 |
| RB-31 | Seal Sensor Relay | A4-3, A4-4 | BFI-SFR-120 |
| RB-32* | Single Phase Contactor, 2 Pole | Use RB-24* | Furnas, 41NB20AFMGR |
| RB-34 | Control Circuit Transformer | 3 Phase Panels | Micron B100BTZ13JK |
| RB-35 | Time Delay Relay | A6-1012, A6-2012 | SSAC, TSD 74115 |
| RB-36 | Control Relay | | Eaton D5PR3A |
| RB-37 | Pump Circuit Breaker | | Square D - QOU115 |
| RB-38 | Pump Circuit Breaker | | Square D - QOU215 |
| RB-39 | Control Circuit Breaker | | Square D - QOU210 |
| RB-40 | Pump Circuit Breaker | | Square D - QOU330 |
| RB-41 | Control Circuit Breaker | A642510 | Carling Switch EA2-B0-26-610-32E-GB |
| RB-42 | Pump Circuit Breaker | A642510 | Carling Switch EA2-B0-26-610-32E-GB |
| RB-46* | Three Phase Contactor, 3 Pole | Use RB-25* | Furnas, 41NB30AFMGR |
| RB-47* | Three Phase Contactor, 3 Pole | Use RB-24* | Furnas, 41NB30AFP |
| RB-50 | Alarm Horn | All SES Control Panels | Floyd, MC-09-201-QC |
| RB-51 | Control Relay | LAN4-LAN1 | Sky SKMP-2C-120VAC |
| RB-52 | Motor Circuit Protector | S31625, D31625 | Eaton XTPR2P5BC1 |
| RB-53 | Motor Circuit Protector | S32540, D32540 | Eaton XTPR004BC1 |
| RB-54 | Motor Circuit Protector | S34063, D34063 | Eaton XTPR6P3BC1 |
| RB-55 | Motor Circuit Protector | S36310, D36310 | Eaton XTPROLOBCL |
| RB-56 | Motor Circuit Protector | S31016, D31016 | Eaton XTPR016BC1 |
| RB-57 | Motor Circuit Protector | S31620, D31620 | Eaton XTPR020BC1 |
| RB-58 | Motor Circuit Protector | S32025, D32025 | Eaton XTPR025BC1 |
| RB-59 | Overload Relay | | Furnas, 48DA18AA4 |
| RB-60 | Motor Start Relay | D1GD2 | Franklin Electric, 155031102 |
| RB-61 | Motor Start Capacitor | D1GD2 | 216-259 UF |
| RB-62 | Motor Run Capacitor | D1GD2 | 50 @ 370 VAC |
| RB-70 | Flashing Red Alarm Light | All S31625-S32025 S10020, S10020NL D10020, D10020NL | Ingram Products, MX-15 |
| RB-71 | Flashing Red Alarm Light | All D31625-D32025 D12127, D12836 | Ingram Products, LRX-25 |
| RB-72* | Pump Run Light Assembly | Use RB-77G* | ZB5AV033 with LED |

* Indicates obsolete component. Use suggested replacement.

Continued on next page

CONTROL PANEL REPAIR PARTS (continued)

| RB Number* | Description | Control Panel | Manufacturer Name and Part Number |
|------------|-----------------------------|--|-----------------------------------|
| RB-73 | Alarm Test Button Assembly | All SES Panels Except S10020NI, D10020NI | ABB, CPLLOR-11 |
| RB-74 | Alarm Reset Button | D10020, D12127, D12836 D31625-D32025 | ABB, CPL OG-11 |
| RB-75 | Duplex Logic Control Board | All SES Duplex Panels | BFL-LLC-120 |
| RB-76 | Alarm Silence Button | All SES Panels Except D10020NL, S10020NL | ABB, CPLLOG-11 |
| RB-77G | Green LED Complete | All SES Panels Except D10020NL, S10020NL | ABB, CL-S13G |
| RB-77W | White LED Complete | | ABB, CL-513W |
| RB-77R | Red LED Complete Assembly | | ABB, CL-513R |
| RB-78 | Pump Circuit Breaker | D10020NL, DL0020 | Square D, QOU-225 |
| RB-80 | Simplex Logic Control Board | | BFL-LLC-120-SIM |
| RB-81 | Contactors | S10020, S10020N1 D10020, D10020NL | ABB, DP30C2P-1 |
| RB-82 | Fuse | | ATDR2 |
| RB-83 | Alternator | | TARS |

* Indicates obsolete component. Use suggested replacement.

SUMP, EFFLUENT AND SEWAGE REPAIR PARTS OIL VOLUMES

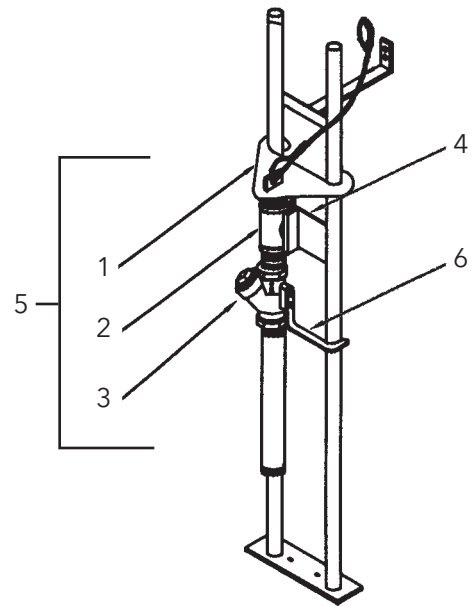
| Model | Oil Volume - Motor Housing | Oil Volume - Seal Housing |
|-------------------------------|----------------------------|---------------------------|
| | Quarts | Quarts |
| ST 31 | 1.32 | N/A |
| PE31 | 1.32 | N/A |
| PE41 | 1.32 | N/A |
| PE51 | 1.32 | N/A |
| PS41 | 1.70 | N/A |
| PS51, PV51 | 1.70 | N/A |
| 3871 (EP's - .4 hp) | 1.00 | N/A |
| 3871 (EP's - .5 hp) | 0.85 | N/A |
| 3872 (WW's) | 0.85 | N/A |
| 3885 (WE's) - A.O. Smith | 3.90 | N/A |
| 3885 (WE's) - Franklin | 3.50 | N/A |
| 2ED's - A.O. Smith | 3.90 | 0.40 |
| 3886 (WS—B) | 3.90 | N/A |
| 3887BF (WS—BF) | 3.90 | N/A |
| 3887BHF (WS—BHF) - A.O. Smith | 3.90 | N/A |
| 3887BHF (WS—BHF) - Franklin | 3.50 | N/A |
| 2/3WD's - A.O. Smith | 3.90 | 0.40 |
| 3888D3 (WS—D3) | 7.00 | 1.70 |
| 3SD's | 7.00 | 1.70 |
| 3888D4 (WS—D4) | 7.00 | 1.50 |
| 4SD's | 7.00 | 1.50 |
| 3888D4 (WS—D4) - 7½ HP | 6.00 | 1.50 |
| 4SD's - 7½ HP | 6.00 | 1.50 |
| RGS2012 | 3.90 | N/A |
| 1GD - Single Phase | 3.55 | 0.90 |
| 1GD - Three Phase | 3.90 | 0.90 |

Noco T-32 oil is standard.

Note: Normally a minimum of a 1" air gap at the top of the motor/seal housing should be maintained due to thermal expansion of the oil.

A10-12, A10-2015 and A10-20

| Item No. | Description | A10-12 | A10-20 and A2015 |
|----------|-----------------------|--------|------------------|
| 1 | Upper Guide Bracket | 4K800 | 4K801 |
| 2 | Brass Qick Disconnect | 4K802 | 4K803 |
| 3 | CI Ball Check Valve | 4K804 | 4K805 |
| 4 | O-Ring Disconnect | 4K806 | 4K807 |
| 5 | Movable Side | 4K808 | 4K809 |
| 6 | Lower Stand Off | 4K810 | 4K811 |



Xylem Inc.
 2881 East Bayard Street Ext., Suite A
 Seneca Falls, NY 13148
 Phone: (866) 325-4210
 Fax: (888) 322-5877
www.gouldswatertechnology.com

Goulds is a registered trademark of Goulds Pumps, Inc. and is used under license.
 © 2016 Xylem Inc. RSES R10 May 2016