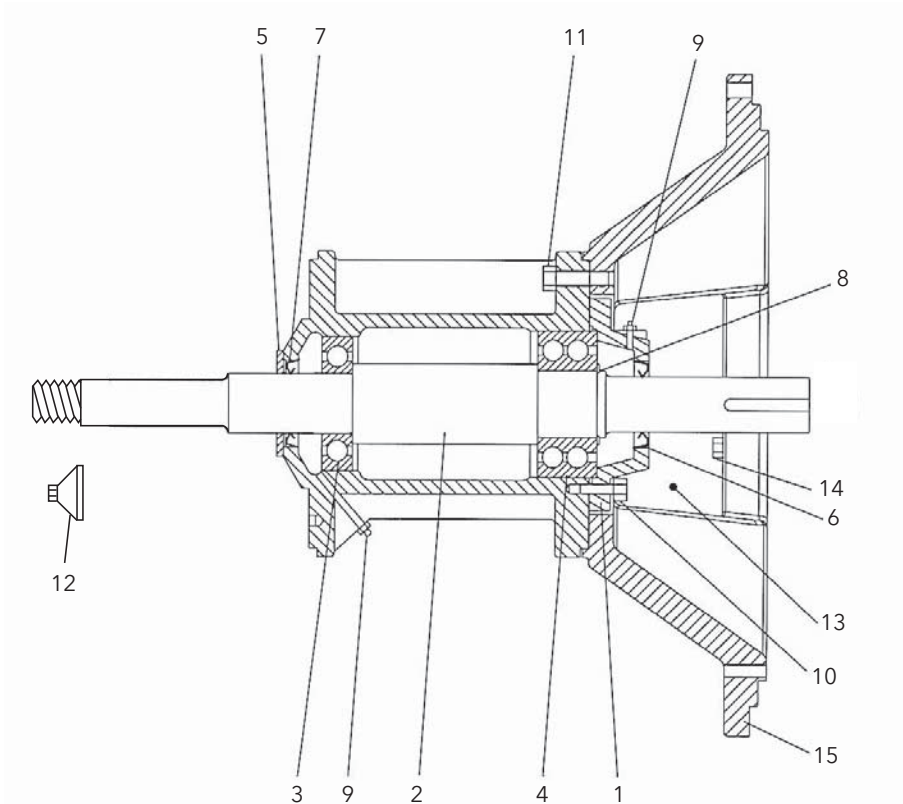
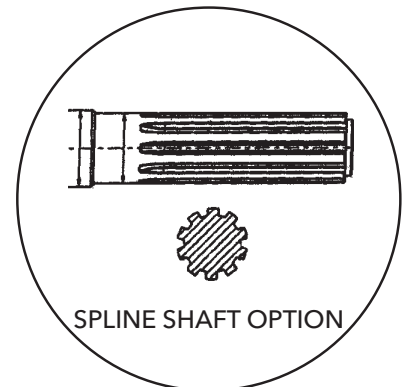


M/L-Group SAE Power Frame REPAIR PARTS



SAE power frame for models 3756 mechanical seal and packed box pumps



ITEM NO.	PART NO.	DESCRIPTION	MATERIAL	PATTERN NO.
	15K19	Power Frame Complete, L-Group - Mechanical Seal / Packed Box		
	15K21	Power Frame Complete, M-Group - Mechanical Seal		
	15K50	Power Frame Complete, M-Group - Spline Packed Box		
	15K56	Power Frame Complete, M-Group - Spline Mechanical Seal		
	15K49	Power Frame Complete, L-Group - Spline Mechanical Seal / Packed Box		
1	1K147	Bearing Cover	Cast Iron	59056
2	4K624	Shaft - M-Group - Mechanical Seal	4140	
	4K561	Shaft - L-Group	4140	
	4K647	Shaft - Spline - M-Group - Mechanical Seal	1144	
	4K650	Shaft - Spline - M-Group - Packed Box	1144	
	4K646	Shaft - Spline - L-Group	1144	
3	4K293	Ball Bearing - Inboard	Steel	
4	4K469	Ball Bearing - Outboard	Steel	
5	5K163	Deflector	Buna-N	
6	5K164	Lip Seal - Outboard	Buna/Steel	
7	5K280	Lip Seal - Inboard	Buna/Steel	
8	5K246	Retaining Ring	Steel	
9	6K80	Grease Fitting - Frame and Bearing Cover	Steel	
10	13K80	Hex Head Cap Screw - Bearing Cover	Zinc-Plated Steel	
	13K158B	Lockwasher - Bearing Cover	Zinc-Plated Steel	
11	13K102	Hex Head Cap Screw - Frame Adapter Ring	Zinc-Plated Steel	
12	13K352	Impeller Nut - L-Group	304 SS	
	13K362	Impeller Nut - M-Group	304 SS	
13	4K482	Guard, Adapter SAE 1, 2, 3	Galvanized Steel	
	4K483	Guard, Adapter SAE 4, 5	Steel	
14	13K268	Cap Screw, Guard	304 SS	
	13k238	Washer, Guard	Steel	
15	1K384	Adapter Ring, SAE #1	Cast Iron	59474
	1K385	Adapter Ring, SAE #2 - #3	Cast Iron	59475
	1K386	Adapter Ring, SAE #4 - #5	Cast Iron	59476

For parts pricing and package stock quantities, refer to published parts price list using "K" part no. listed above.

Xylem Inc.

2881 East Bayard Street Ext., Suite A, Seneca Falls, NY 13148

Phone: (800) 453-6777 Fax: (888) 322-5877

www.xylem.com/brands/gouldswatertechnology



Goulds is a registered trademark of Goulds Pumps, Inc. and is used under license.

© 2012 Xylem Inc. RSAFRAME March 2012