

Ball I-2 to I-16

Bronze	I-2, I-3
Locking handle	I-3, I-5
Deadman spring return handle	I-3, I-11
250 lb. steam	I-4
Safety vented	I-4
With NPT tap for drain	I-4
Brass	I-5, I-6, I-7, I-8
Solder end	I-6
Lead free brass	I-6
Dual Y	I-7
Mini's	I-7
3-way diverting T and L flow	I-8
2-piece stainless	I-9
Stainless, full port	I-9, I-10
Stainless, reduced port	I-10
3-piece stainless industrial	I-11
Industrial wafer	I-12
Mann Tek full flow	I-12, I-13
Carbon steel	I-14
High pressure, full bore	I-14
150# flanged	I-15
Polypropylene	I-15, I-16

Gate I-17**Globe I-18****Butterfly I-18, I-19****Control I-20 to I-21**

Series F	I-20
Series MV	I-20
Series PF	I-21
Series N	I-21

Needle I-22 to I-23, I-25

Mini	I-22
Multiport	I-22
Block and bleed	I-23
Female x Female	I-25

Button & Tank Filler I-24**External Drains I-24****Check I-26, I-28, I-29 to I-30**

Safety	I-26
Safety pop-off	I-27
Series C	I-28

Check, cont I-26, I-28, I-29 to I-30

Ball cone	I-28
800 PSI	I-29
Forged steel	I-29
Spring loaded	I-29, I-30
Swing	I-30

Fire Valves/Bldg. Connections.. I-31 to I-51

Angle valves	I-31 to I-34
Wedge disc gate valves	I-35 to I-36
Gate valves	I-37 to I-39
Wharf hydrants	I-40
Wye valves	I-40, I-41
2-way swivel inlet	I-42
Globe valves	I-43
Drip valves	I-43
Reducing angle valves	I-44
Globe valves	I-45
Pressure reducing valves	I-46, I-47
Adjustable pressure restricting devices	I-47
Adjustable pressure restricting angle valves	I-48
Backflow preventer	I-49
Groove x groove check valve	I-49
Chicago pattern valves	I-49
Sprinkler hose valve	I-50
Drain Valves	I-50
Piston intake relief valves	I-51
Butterfly valves	I-52

Fire Adapters & Connections... I-53 to I-61

Siamese connections	I-53 to I-55
Reversible concealed angle Siamese body	I-56
Concealed 2-way wall hydrant body	I-57
Snoots	I-58, I-59
Wall plates	I-59
Double clapper concealed Siamese assemblies	I-60
2-way sidewalk Siamese assembly	I-60
Single inlet connections	I-61
Single hydrant connections	I-61
Exposed 2-way wall hydrant	I-61

Sanitary Valves I-62 to I-73

2-way, 3 piece ball valves	I-62 to I-63
Butterfly valves	I-64 to I-67
Clamp end	I-64 to I-66
Automation	I-67
Spring check valves	I-68

Sanitary Valves, cont..... I-62 to I-73

Y ball check valves	I-69
Air blow check	I-70
Tank vent valve.....	I-71 to I-72
3A Sample Valves.....	I-73

Actuation: Electric..... I-74 to I-78

2-piece stainless ball valves	I-74
3-piece stainless ball valves.....	I-75
Brass ball valves.....	I-76
3-way ball valves T / L port	I-77 to I-78

Actuation: Pneumatic..... I-79 to I-86

2-piece stainless ball valves	I-79
3-piece stainless ball valves.....	I-80
Brass ball valves.....	I-81
3-way ball valves T / L port	I-82 to I-83
Wafer butterfly valves	I-84
Lug butterfly valves.....	I-85
Accessories	I-86
Limit switches.....	I-86
Solenoids	I-86
Positioners	I-86

Drum Valves..... I-87 to I-88

Wrenches	I-87
Faucets.....	I-87
Thread adapters	I-88
Gate valves.....	I-88



Domestic Bronze Ball Valves

Valves



Application:

- for control of air, water, oil and gas in hose or pipe lines, for other services, please contact Dixon®

Features:

- pressure rating: **600 PSI** WOG; **150 PSI** saturated steam
- bronze valve bodies, balls and stems
- blow-out proof stems
- glass-filled reinforced PTFE seats and stuffing box ring; stem seals and washers
- plated steel handles and nuts with vinyl sleeves replacements available, contact Dixon® for pricing
- full and standard port valves are repairable
- meets WW-V 35C, Type II Composition

Female NPT	Port	Bronze	
		Part #	Price/E
¼"	full	BBV25	\$36.00
⅜"	full	BBV38	36.00
½"	full	BBV50	36.00
¾"	standard	BBV75	59.30
1"	standard	BBV100	74.80
1¼"	standard	BBV125	125.40
1½"	standard	BBV150	160.25
2"	standard	BBV200	200.75
2½"	standard	BBV250	990.00
3"	standard	BBV300	1160.00

Domestic Bronze Ball Valves

Features:

- machined solid chrome-plated ball
- multi-fill RPTFE seats and seals
- adjustable packing
- blow-out proof stem design
- bronze castings
- vacuum service to 29 inches Hg
- pressure rating: **600 PSI** WOG; **150 PSI** saturated steam



Female NPT	Port	Bronze	
		Part #	Price/E
¾"	full	BBV75FP	\$55.75
1"	full	BBV100FP	70.55
1¼"	full	BBV125FP	164.50
1½"	full	BBV150FP	218.15
2"	full	BBV200FP	375.85

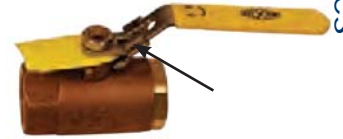
Locking Handle Bronze Ball Valves

Application:

- for control of air, water, oil and gas in hose or pipe lines, for other services, please contact Dixon®

Features:

- pressure rating: **600 PSI** WOG; **150 PSI** saturated steam
- blow-out proof RPTFE stem
- chrome-plated bronze ball
- Stainless steel sliding lock mechanism secures handle in open or closed position; can be padlocked opened or closed.
- plated steel handles and nuts with vinyl sleeves
- full and standard port valves are repairable



Valves

Female NPT	Port	Bronze	
		Part #	Price/E
1/4"	full	BBLV25	\$47.25
3/8"	full	BBLV38	47.25
1/2"	full	BBLV50	47.25
3/4"	standard	BBLV75	70.40
1"	standard	BBLV100	85.90
1 1/4"	standard	BBLV125	136.50
1 1/2"	standard	BBLV150	171.25
2"	standard	BBLV200	211.75

Bronze Ball Valves

Applications:

- for air, water, oil and gas service

Features:

- pressure rating: **600 PSI**, cold non-shock pressure rating: **150 PSI** saturated steam
- chromium plated ball
- RTFE seats and stuffing box ring
- blow-out proof stem
- adjustable packing gland



Male NPT x Female NPT	Port	Bronze	
		Part #	Price/E
1/2"	full	BMV50	\$44.20
3/4"	standard	BMV75	70.35
1"	standard	BMV100	100.40

"Deadman" Spring Return Handle Brass Ball Valves

Features:

- pressure rating: **600 PSI** WOG; **150 PSI** saturated steam
- vacuum service to 29 inches Hg
- stainless steel lever
- chromium plated ball
- RTFE seats and stuffing box ring
- blow-out proof stem design
- adjustable packing gland
- spring return closes valve when not held open
- operating torque approximately three times standard valve torque



Female NPT	Port	Brass	
		Part #	Price/E
1/2"	full	BBV50SR	\$264.25
3/4"	standard	BBV75SR	305.25
1"	standard	BBV100SR	316.30
1 1/2"	standard	BBV150SR	505.00
2"	standard	BBV200SR	595.00

250 Lb. Steam Ball Valves

Valves



Application:

- recommended for use with fluids with widely varying temperatures and/or thermal expansion rates

Features:

- pressure rating: **600 PSI**; **250 PSI** saturated steam
- vacuum service to 29 inches Hg
- bronze body
- 316 stainless steel ball and stem
- blow-out proof stem design
- multi-fill RPTFE seats
- multi-fill stuffing box ring
- high temperature MTFE stem packing
- adjustable packing gland
- maximum temperature: **450°F (232°C)**

Female NPT	Port	Bronze	
		Part #	Price/E
1/2"	full	BBV50ST	\$81.35
3/4"	standard	BBV75ST	129.15
1"	standard	BBV100ST	155.00
2"	standard	BBV200ST	430.00

Safety Vented Ball Valves

Application:

- for air service only

Features:

- pressure rating: **0-125 PSI**
- vent downstream air in accordance with OSHA regulation 1910.147 for pneumatic systems
- bronze valve
- chromium plated ball
- RTFE seats and stuffing box ring
- blow-out proof stem design
- adjustable packing gland



Female NPT	Port	Bronze	
		Part #	Price/E
1/4"	full	BBV25LV	\$52.90
3/8"	full	BBV38LV	52.90
1/2"	full	BBV50LV	52.90
3/4"	standard	BBV75LV	76.25
1"	standard	BBV100LV	97.40
1 1/4"	standard	BBV125LV	154.00
1 1/2"	standard	BBV150LV	188.80
2"	standard	BBV200LV	229.25

Bronze Ball Valves with NPT Tap for Drain

Applications:

- recommended for water and air service

Features:

- pressure rating: **125 PSI** WOG
- vent downstream air in accordance with OSHA regulations for pneumatic systems
- chromium plated ball
- RTFE seats and stuffing box ring
- blow-out proof stem
- adjustable packing gland
- auto-drain / auto-vent
- 1/4" NPT tapped port provides additional options such as an air venting elbow or noise muffler



Female NPT	Port	Bronze	
		Part #	Price/E
1/4"	full	BBV25VT	\$58.00
3/8"	full	BBV38VT	58.00
1/2"	full	BBV50VT	57.00
3/4"	full	BBV75VT	115.50
1"	full	BBV100VT	165.00

Imported Brass Ball Valves

Applications:

- for control of air, water, oil and gas in hose or pipe lines, for other services please contact Dixon®

Features:

- pressure rating: **600 PSI WOG**; **150 PSI Working Steam Pressure**
- forged brass body
- blow-out proof stems
- PTFE seat, seal and thrust washer
- chrome-plated brass ball and plated steel handle
- maximum temperature: **366°F (186°C)**
- Underwriters Listed

female NPT x female NPT



Size	Port	Brass	
		Part #	Price/E
1/4"	full	FBV25	\$18.30
3/8"	full	FBV38	18.90
1/2"	full	FBV50	22.25
3/4"	full	FBV75	31.70
1"	full	FBV100	47.15
1 1/4"	full	FBV125	82.10
1 1/2"	full	FBV150	121.45
2"	full	FBV200	172.20



female NPT x female NPT



Size	Port	Brass	
		Part #	Price/E
2 1/2"	full	FBV250	\$379.55
3"	full	FBV300	543.20
4"	full	FBV400	897.60

Locking Handle Imported Brass Ball Valves

Applications:

- for control of air, water, oil and gas in hose or pipe lines, for other services please contact Dixon®

Features:

- pressure ratings: **600 PSI WOG**; **150 PSI Working Steam Pressure**
- forged brass body
- blow-out proof stem
- PTFE seat, seal and thrust washer
- chrome-plated brass ball and plated steel handle
- maximum temperature: **366°F (186°C)**

Female NPT	Port	Brass	
		Part #	Price/E
1/2"	full	FBVL50	\$36.00
3/4"	full	FBVL75	47.00
1"	full	FBVL100	64.50
1 1/4"	full	FBVL125	106.70
1 1/2"	full	FBVL150	150.50
2"	full	FBVL200	205.90
2 1/2"	full	FBVL250	446.25
3"	full	FBVL300	654.40
4"	full	FBVL400	1084.50



Global Brass Ball Valves

Valves



Applications:

- for water and air only

Features:

- pressure ratings:
 - 1/4" - 3/8" rated to **365 PSI**
 - 1/2" - 2" rated to **600 PSI**
- forged brass body
- maximum temperature: **248°F (120°C)**

Female NPT	Port	Forged Brass	
		Part #	Price/E
1/4"	full	FBVG25	\$7.50
3/8"	full	FBVG38	7.50
1/2"	full	FBVG50	11.80
3/4"	full	FBVG75	16.60
1"	full	FBVG100	27.25
1 1/4"	full	FBVG125	42.00
1 1/2"	full	FBVG150	59.00
2"	full	FBVG200	90.00

Solder End Brass Ball Valves

Applications:

- provides protection against potential gas leakage under extreme duty or low pressure applications

Features:

- pressure rating: **600 PSI WOG**; **150 PSI** working steam pressure
- maximum temperature: **366°F (186°C)**
- brass body
- blow-out proof stem
- chrome-plated brass ball
- adjustable stem packing nut
- PTFE seat, seal, and thrust washer



Size	Port	Brass	
		Part #	Price/E
1/2"	full	FBV50SE	\$23.95
3/4"	full	FBV75SE	32.65
1"	full	FBV100SE	48.15
1 1/4"	full	FBV125SE	86.80
1 1/2"	full	FBV150SE	125.55
2"	full	FBV200SE	178.15

Lead Free Brass Ball Valves

Features:

- lead free refers to the wetted surface of pipes, fittings and fixtures in potable water systems that have a weighted average lead content = 0.25% Source: California Health & Safety Code (116875). Vermont Act 193*171NLF
- pressure rating: **600 WOG - 150 WSP**
- maximum temperature: **366°F (186°C)**
- PTFE seat and double O-ring stem packing



Female NPT	Port	Lead Free Brass	
		Part #	Price/E
1/2"	full	LFV50	\$26.75
3/4"	full	LFV75	38.00
1"	full	LFV100	57.00
1 1/4"	full	LFV125	99.00
1 1/2"	full	LFV150	146.00
2"	full	LFV200	214.00

Dual Y Valves

Application:

- ideal for compressor applications

Features:

- dual action valve
- non-vented pressure rating: **600 PSI WOG**
- vented pressure rating: **125 PSI Cold Working Pressure**

Vented

Female NPT Inlet (1)	Female NPT Outlets (2)	Bronze	
		Part #	Price/E
1"	3/4"	BBV100DWV	\$168.00
1 1/4"	3/4"	BBV125DWV	168.00

Non-Vented

Female NPT Inlet (1)	Female NPT Outlets (2)	Bronze	
		Part #	Price/E
1"	3/4"	BBV100DW	\$168.00
1 1/4"	3/4"	BBV125DW	168.00



Valves

Mini Ball Valves



Features:

- pressure rating: **450 PSI**
- nickel plated brass body
- PTFE seats and FKM stem seal
- blow-out proof stem
- maximum temperature **330°F (166°C)**
- Canadian Standard Association approved

Female NPT	Port	Nickel Plated Brass	
		Part #	Price/E
1/8"	standard	MBV12	\$13.40
1/4"	standard	MBV25	13.40
3/8"	standard	MBV38	12.45
1/2"	standard	MBV50	18.30



3-Way Brass Diverting Ball Valves T Flow

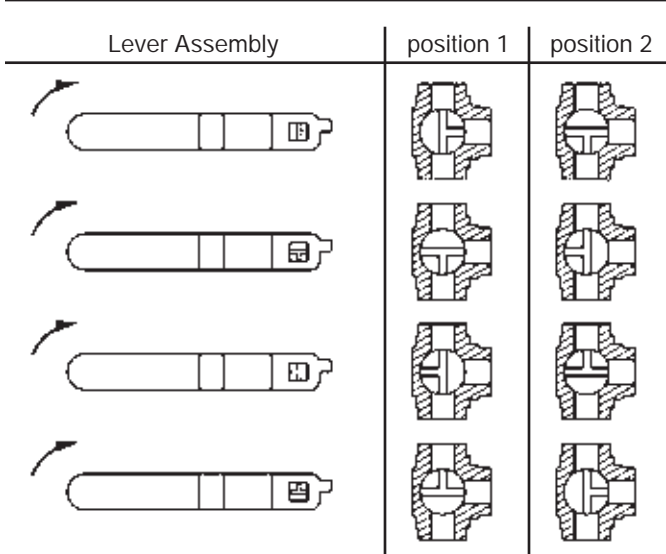
female NPT x female NPT x female NPT

Valves



Features:

- pressure rating: **400 PSI** WOG; **100 PSI** saturated steam
- brass body
- blow-out proof stem
- chrome plated brass ball
- PTFE seats, seals, and thrust washer
- adjustable stem packing
- maximum temperature: **366°F (186°C)**



Size	Port	Brass	
		Part #	Price/E
½"	standard	BBV50DTW	\$108.50
¾"	standard	BBV75DTW	119.80
1"	standard	BBV100DTW	183.65
1¼"	standard	BBV125DTW	269.10
1½"	standard	BBV150DTW	409.35
2"	standard	BBV200DTW	668.55

Note: ¼ turn handle can be adjusted to any orientation.
Notches on the valve stem reflect the three openings on the ball.

3-Way Brass Diverting Ball Valves L Flow

female NPT x female NPT x female NPT

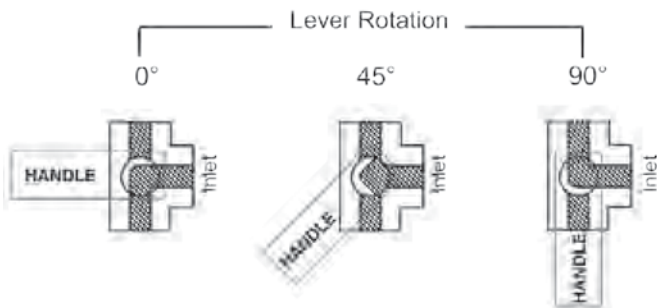


Features:

- can be used with gasoline and diesel fuel
- pressure rating: **400 PSI** WOG
- bronze body
- blow-out proof stem
- chromium-plated ball
- RPTFE seats and stuffing box ring
- stainless steel handle and nut with vinyl sleeve
- adjustable packing gland

Size	Port	Bronze	
		Part #	Price/E
½"	full	BBV50TW¹	\$72.90
¾"	standard	BBV75TW	100.75
1"	standard	BBV100TW	133.50

¹ carbon steel handle and nut with vinyl sleeve



Features:

- rated to **800 PSI** WOG
- stainless steel body and ball
- blow-out proof stem
- RPTFE seats and stuffing box ring
- stainless steel handle and nut with vinyl sleeve
- adjustable packing gland
- meets NACE MR-01-75

Size	Port	Stainless Steel	
		Part #	Price/E
½"	full	SSBV50TW	\$302.00
¾"	standard	SSBV75TW	400.00
1"	standard	SSBV100TW	503.00



2-Piece Domestic Stainless Steel Ball Valves

Features:

- pressure rating: **1,000 PSI** Cold Working Pressure
- pressure rating: **150 PSI** saturated steam
- vacuum service to 29 inches Hg
- 316 stainless body, ball and stem
- PTFE seal
- blow-out proof stem
- vinyl handle cover
- temperature range: **-40°F to 400°F (-40°C to 204°C)**

Female NPT	Port	316 Stainless Steel	
		Part #	Price/E
1/4"	full	DSBV25	\$100.70
3/8"	full	DSBV38	100.70
1/2"	full	DSBV50	105.50
3/4"	full	DSBV75	138.50
1"	full	DSBV100	195.05
1 1/4"	full	DSBV125	246.95
1 1/2"	full	DSBV150	386.75
2"	full	DSBV200	481.05



Valves

Stainless Steel Ball Valves Full Port

Applications:

- for use with water, oil and gas

Features:

- pressure rating: 1/4" - 2" rated to **1000 PSI** WOG (CWP)
2 1/2" - 3" rated to **800 PSI** WOG (CWP)
100 PSI saturated steam
- 316 stainless steel body, ball and stem
- R-PTFE seat, joint gasket and thrust washer
- plastic cover on handle
- blow-out proof stem design
- temperature range: **-20°F to 356°F (-29°C to 180°C)**
- not recommended as a throttling valve

Female NPT	Port	316 Stainless Steel	
		Part #	Price/E
1/4"	full	SSBV25	\$39.50
3/8"	full	SSBV38	42.00
1/2"	full	SSBV50	44.00
3/4"	full	SSBV75	63.00
1"	full	SSBV100	84.00
1 1/4"	full	SSBV125	121.00
1 1/2"	full	SSBV150	166.00
2"	full	SSBV200	232.00
2 1/2"	full	SSBV250	495.00
3"	full	SSBV300	690.00



Stainless Steel Ball Valves Full Port, Locking Handle

Valves



Applications:

- for use with water, oil and gas

Features:

- pressure rating: ¼" - 2" rated to **1000 PSI** WOG (CWP)
2½" - 3" rated to **800 PSI** WOG (CWP)
100 PSI saturated steam
- 316 stainless steel body, ball and stem
- R-PTFE seat, joint gasket and thrust washer
- plastic cover on handle
- blow-out proof stem design
- temperature range: **-20°F to 356°F (-29°C to 180°C)**
- lockable
- not recommended as a throttling valve

Female NPT	Port	316 Stainless Steel	
		Part #	Price/E
¼"	full	SSLBV25	\$43.00
⅜"	full	SSLBV38	44.00
½"	full	SSLBV50	48.00
¾"	full	SSLBV75	70.00
1"	full	SSLBV100	90.00
1¼"	full	SSLBV125	129.00
1½"	full	SSLBV150	171.00
2"	full	SSLBV200	236.00
2½"	full	SSLBV250	510.00
3"	full	SSLBV300	750.00

Stainless Steel Ball Valves Reduced Port, Locking Handle

Applications:

- for use with water, oil and gas

Features:

- pressure rating: **1000 PSI** WOG; **100 PSI** saturated steam
- 316 stainless steel body, ball and stem
- R-PTFE seat, joint gasket and thrust washer
- plastic cover on handle
- blow-out proof stem design
- temperature range: **-20°F to 356°F (-29°C to 180°C)**
- lockable
- not recommended as a throttling valve



Female NPT	Port	316 Stainless Steel	
		Part #	Price/E
¼"	reduced	SSLBV25SP	\$28.50
⅜"	reduced	SSLBV38SP	30.50
½"	reduced	SSLBV50SP	32.50
¾"	reduced	SSLBV75SP	44.00
1"	reduced	SSLBV100SP	63.00
1¼"	reduced	SSLBV125SP	84.00
1½"	reduced	SSLBV150SP	115.00
2"	reduced	SSLBV200SP	162.00

3-Piece Industrial Stainless Steel Ball Valves FNPT

Features:

- blow out proof stem
- live-loaded stem packing
- swing out design for easy maintenance
- ISO 5211 mounting pad
- RTFE seat and seals
- maximum temperature: **400°F (200°C)**

Female NPT	Port	PSI @ 65°F	Body Length	CF8M Stainless Steel	
				Part #	Price/E
½"	full	1000	2.5"	BV2IG-05011-A	\$107.48
¾"	full	1000	3.1"	BV2IG-07511-A	134.60
1"	full	1000	3.3"	BV2IG-10011-A	175.56
1¼"	full	1000	4.1"	BV2IG-12511-A	233.15
1½"	full	1000	4.4"	BV2IG-15011-A	319.09
2"	full	1000	5.1"	BV2IG-20011-A	454.59
2½"	full	800	6.6"	BV2IG-25011-A	1065.64
3"	full	800	7.3"	BV2IG-30011-A	1290.29
4"	full	600	8.9"	BV2IG-40011-A	2273.86



Valves

3-Piece Industrial Stainless Steel Ball Valves Socket Weld

Female NPT	Port	PSI @ 65°F	Body Length	CF8M Stainless Steel	
				Part #	Price/E
½"	full	1000	2.5"	BV2IG-05033-A	\$100.59
¾"	full	1000	3.1"	BV2IG-07533-A	132.23
1"	full	1000	3.3"	BV2IG-10033-A	173.66
1¼"	full	1000	4.1"	BV2IG-12533-A	240.99
1½"	full	1000	4.4"	BV2IG-15033-A	343.61
2"	full	1000	5.1"	BV2IG-20033-A	454.59
2½"	full	800	6.6"	BV2IG-25033-A	908.85
3"	full	800	7.3"	BV2IG-30033-A	1290.29
4"	full	600	8.9"	BV2IG-40033-A	2273.86



"Deadman" Spring Return Handle Stainless Steel Ball Valves

Features:

- pressure rating: **2000 PSI WOG ½" to 1"**; **1500 PSI WOG 1¼" to 2"**
- **150 PSI** saturated steam, all sizes
- vacuum service to 29 inches Hg, all sizes
- PTFE seal
- blow-out proof stem design
- adjustable packing gland
- spring return closes valve when not held open
- operating torque approximately three times standard valve torque

Female NPT	Port	316 Stainless Steel	
		Part #	Price/E
½"	full	SSBV50SR	\$280.20
¾"	standard	SSBV75SR	362.75
1"	standard	SSBV100SR	407.70
1¼"	standard	SSBV125SR	663.90
1½"	standard	SSBV150SR	716.50
2"	standard	SSBV200SR	888.75



Industrial Wafer Ball Valves

Valves



Features:

- ANSI Class 150 wafer style ball valve
- full port, sizes 1" to 4"
- blow out proof stem
- ideal option to high performance butterflies
- space saving, anti-static stem design
- locking plate included

Materials:

- body – CF8M
- ball and end connection – 316 stainless steel
- elastomers – FKM
- stem seal – PTFE

Size	Stainless Steel	
	Part #	Price/E
1"	BV2IC-100WW-A	\$565.83
1¼"	BV2IC-125WW-A	645.26
1½"	BV2IC-150WW-A	734.10
2"	BV2IC-200WW-A	914.17
2½"	BV2IC-250WW-A	1458.97
3"	BV2IC-300WW-A	1982.69
4"	BV2IC-400WW-A	2936.60

Mann Tek Full Flow Ball Valves

Features:

- high flow rate; low pressure drop
- wetted parts are aluminum and stainless steel
- FPM seals
- spindle can be disassembled even when ball valve is installed
- working pressure: **150 PSI** at ambient temperature **70°F (21°C)**
- standard valve ports - female NPT, socket weld for Schedule 40 pipe and grooved
- optional ports include DN flange, butt weld and 150# flange, contact Dixon® for details
- two ports - one inlet and one outlet



One-Way Full Flow Ball Valve Female NPT

Size	Aluminum	
	Part #	Price/E
2"	1WAYBV200	\$631.75
3"	1WAYBV300	842.35
4"	1WAYBV400	1223.75

One-Way Full Flow Ball Valve Socket Weld



Size	Bore	Aluminum	
		Part #	Price/E
2"	2.390"	1WAYBV200SW	\$651.30
3"	3.530"	1WAYBV300SW	842.35

One-Way Full Flow Ball Valve Grooved



Size	Aluminum	
	Part #	Price/E
2"	1WAYBV200VIC	\$861.10
3"	1WAYBV300VIC	1146.35

Mann Tek Full Flow Ball Valves

Features:

- high flow rate; low pressure drop
- wetted parts are aluminum and stainless steel
- FPM seals
- spindle can be disassembled even when ball valve is installed
- working pressure: **150 PSI** at ambient temperature **70°F (21°C)**
- standard valve ports - female NPT, socket weld for Schedule 40 pipe and grooved
- optional ports include DN flange, butt weld and 150# flange, contact Dixon® for details
- three ports - one inlet and two outlets, valve directs the flow from the inlet to either of the two outlets
- commonly used for switching compartments or tanks



Valves

Two-Way Full Flow Ball Valve Female NPT

Size	Aluminum	
	Part #	Price/E
2"	2WAYBV200	\$786.20
3"	2WAYBV300	1135.20
4"	2WAYBV400	2467.05

Two-Way Full Flow Ball Valve Socket Weld

Size	Bore	Aluminum	
		Part #	Price/E
2"	2.390"	2WAYBV200SW	\$786.20
3"	3.530"	2WAYBV300SW	1135.20



Two-Way Full Flow Ball Valve Grooved

Size	Aluminum	
	Part #	Price/E
2"	2WAYBV200VIC3	\$945.50
3"	2WAYBV300VIC3	2049.55



Carbon Steel Ball Valves

Valves



Applications:

- for control of air, water, oil and gas in hose or pipe lines, for other services please contact Dixon®

Features:

- pressure rating: **150 PSI** saturated steam
- carbon steel body
- chromium plated ball
- RPTFE seat and seal
- blow-out proof stem
- adjustable packing gland

Female NPT	PSI	Port	Carbon Steel	
			Part #	Price/E
1/4"	2000	full	IBV25	\$64.00
3/8"	2000	full	IBV38	64.00
1/2"	2000	standard	IBV50	64.00
3/4"	2000	standard	IBV75	74.00
1"	2000	standard	IBV100	98.50
1 1/4"	1500	standard	IBV125	150.00
1 1/2"	1500	standard	IBV150	208.00
2"	1500	standard	IBV200	270.00

High Pressure Full-Bore Ball Valves

Features:

- blow-out proof stem
- rugged construction
- FKM/FPM seals
- POM (Polyacetal) ball seats



Female NPT	PSI	Carbon Steel				PSI	316 Stainless Steel	
		Part #	Price/E	SAE Part #	Price/E		Part #	Price/E
1/4"	7350	HPBV25	\$63.90	HPBV25SAE	\$71.65	5880	HPBV25SS	\$427.50
3/8"	7350	HPBV38	67.80	HPBV38SAE	80.70	5880	HPBV38SS	497.50
1/2"	7350	HPBV12	73.70	HPBV12SAE	87.10	5880	HPBV12SS	595.00
3/4"	6000	HPBV34	145.05	HPBV34SAE	162.20	5145	HPBV34SS	1027.90
1"	6000	HPBV10	173.10	HPBV10SAE	190.00	5145	HPBV10SS	1212.80
1 1/4"	6000	HPBV125	452.90	HPBV125SAE	490.20	---	---	---
1 1/2"	6000	HPBV150	548.90	HPBV150SAE	583.00	---	---	---
2"	6000	HPBV200	831.00	HPBV200SAE	870.00	---	---	---

High Pressure Full-Bore 3-Way Ball Valves

Features:

- temperature range: **-20°F to 215° F (-29°C to 102°C)**
- rugged construction
- FKM seals
- POM (polyacetal) ball seats
- black oxide coating
- nickel plated ball



L

Female NPT	PSI	Carbon Steel	
		Part #	Price/E
1/2"	5145	HPBV12-3WAY	\$163.00
3/4"	5145	HPBV34-3WAY	204.00
1"	5145	HPBV10-3WAY	218.00

150# Flanged Ball Valves

Applications:

- suitable for air, water, oil and gas

Features:

- product approvals include: LP gas shut-off valves, flammable liquid shut-off valves, gas shut-off valves, compressed gas shut-off valves, and anhydrous ammonia shut-off valves
- body: ASTM A216 WCB
- RPTFE seat
- vacuum service to 29 inches of Hg
- pressure rating: **150 PSIG** saturated steam
- temperature up to **400°F (204°C)**
- PSI rating up to **280 PSI**
- four point ISO 5211 mounting pad bolt pattern
- anti-static grounded ball and stem
- blow-out proof stem design
- bleed/drain port (cast) 1/2" NPT
- fire safe (graphite packing and seal)
- adjustable packing gland



Size	Port	Carbon Steel	
		Part #	Price/E
2"	full	FLBV200CS	\$1260.00
2½"	full	FLBV250CS	2125.00
3"	full	FLBV300CS	2205.00
4"	full	FLBV400CS	3370.00
6"	full	FLBV600CS	7642.00
8"	full	FLBV800CS	15526.00

- For flange dimensions, diagrams and additional information please reference dixonvalve.com.

Polypropylene Bolted Ball Valves

Features:

- pressure rating: ½" - 3" is rated to **125 PSI at 70°F (21°C)**
4" is rated to **90 PSI at 70°F (21°C)**
- chemically-resistant, reinforced polypropylene
- PTFE ball seat
- EPDM O-ring body seal, FKM O-ring stem seal
- 304 stainless steel nuts and bolts
- FDA approved material

Polypropylene 4-Bolt Ball Valves

Female NPT	Port	Polypropylene	
		Part #	Price/E
½"	full	PVFP50	\$48.50
¾"	full	PVFP75	48.50
1"	full	PVFP100	56.50
1½"	full	PVFP150	72.25
1"	standard	PV100	48.50
2"	standard	PV200	70.00



Polypropylene 6-Bolt Ball Valves

Female NPT	Port	Polypropylene	
		Part #	Price/E
2"	full	PVFP200	\$102.00
3"	full	PVFP300	246.75
4"	full	PVFP400	520.00



Polypropylene Compact Bolted Ball Valves

Features:

- pressure rating: **125 PSI at 70°F (21°C)**
- chemically-resistant, reinforced polypropylene body, PTFE ball seat
- EPDM O-ring body seal, FKM O-ring stem seals
- 304 stainless steel nuts and bolts
- FDA approved material



Polypropylene Compact Bolted Ball Valve

Female NPT	Port	Body Length	Polypropylene	
			Part #	Price/E
2"	full	4 ⁷ / ₈ "	PVFPS200	\$80.75



Polypropylene Compact Bolted Ball Valve

Female NPT x Male Adaptor	Port	Body Length	Polypropylene	
			Part #	Price/E
2"	full	6 ⁷ / ₈ "	PVFPSA200	\$80.75

Polypropylene 45° Single Union Nozzle Valves

Features:

- pressure rating: **125 PSI at 70°F (21°C)**
- corrosion resistant polypropylene body, PTFE ball seats
- EPDM O-ring
- FDA approved material



Female NPT x Nozzle	Port	Polypropylene	
		Part #	Price/E
1"	full	SUBVN100	\$30.00

Polypropylene Bolted Ball Valves with Nozzle

Features:

- pressure rating: **125 PSI at 70°F (21°C)**
- chemically-resistant, reinforced polypropylene body, PTFE ball seat
- EPDM O-ring body seals, FKM O-ring stem seals
- 304 stainless steel nuts and bolts
- FDA approved material
- body-to-flange design allows for low torque operation



Female NPT x Nozzle	Port	Polypropylene	
		Part #	Price/E
1 ¹ / ₂ "	full	PVFPN150	\$98.75
2"	full	PVFPN200	142.50
2"	standard	PVN200	101.75

Polypropylene Single Union Ball Valves

Features:

- pressure rating: **125 PSI at 70°F (21°C)**
- corrosion resistant polypropylene body, PTFE ball seat
- EPDM O-ring
- FDA approved material



Female NPT	Port	Polypropylene	
		Part #	Price/E
1/2"	full	SUBV50	\$20.50
3/4"	full	SUBV75	22.60
1"	full	SUBV100	28.75
1 ¹ / ₄ "	full	SUBV125	47.25
1 ¹ / ₂ "	full	SUBV150	58.50
2"	full	SUBV200	74.50
3"	full	SUBV300	221.50

Domestic Bronze Gate Valves

Features:

- Class 150
- pressure rating: **300 PSI** cold working pressure, **150 PSI** steam working pressure
- union bonnet
- ASME B1.20.1
- Grafoil® packing
- rising stem
- solid disc
- malleable iron handwheel
- 100% factory tested
- temperature range: **-20°F to 406°F (-29°C to 208°C)**

Female NPT	Bronze	
	Part #	Price/E
½"	DBGV50	\$125.25
¾"	DBGV75	148.75
1"	DBGV100	187.90
1¼"	DBGV125	289.75
1½"	DBGV150	356.95
2"	DBGV200	433.70



Valves

Gate Valves

Features:

- pressure rating: **200 PSI** non-shock cold water, oil, gas
- threaded bonnet
- integral seat
- adjustable packing nut
- non-rising stem
- solid wedge disc
- iron handwheel
- 100% factory tested

Female NPT	Brass		316 Stainless Steel	
	Part #	Price/E	Part #	Price/E
¼"	BGV25	\$17.70	---	---
⅜"	BGV38	17.70	---	---
½"	BGV50	17.70	SSGV50	\$136.75
¾"	BGV75	24.30	SSGV75	162.75
1"	BGV100	36.45	SSGV100	204.00
1¼"	BGV125	51.90	SSGV125	279.10
1½"	BGV150	66.10	SSGV150	371.50
2"	BGV200	97.95	SSGV200	458.30
2½"	BGV250	186.85	---	---
3"	BGV300	255.75	---	---
4"	BGV400	400.05	---	---



1

Forged Steel Gate Valves

Application:

- can be used for steam service

Features:

- Class 800
- ASTM A105, ANSI B120.1
- bolted bonnet
- pressure rating: **1975 PSI**
- maximum temperature: **800°F (427°C)**

Female NPT	Forged Steel	
	Part #	Price/E
½"	FSGV50	\$114.35
¾"	FSGV75	120.60
1"	FSGV100	165.55
1¼"	FSGV125	300.90
1½"	FSGV150	311.50
2"	FSGV200	395.20



Domestic Bronze Globe Valves

Features:

- Class 150
- pressure rating: **300** PSI cold working pressure, **150** PSI steam working pressure
- union bonnet
- ASME B1.20.1
- Grafoil® packing
- PTFE disc
- malleable iron handwheel
- 100% factory tested



Female NPT	Bronze	
	Part #	Price/E
½"	DGLBV50	\$172.00
¾"	DGLBV75	230.00
1"	DGLBV100	360.00
1¼"	DGLBV125	573.00
1½"	DGLBV150	696.00
2"	DGLBV200	1044.00

Forged Steel Globe Valves

Features:

- Class 800
- ASTM A105, ANSI B120.1
- bolted bonnet
- pressure rating: **1975 PSI**
- maximum temperature: **800°F (427°C)**
- can be used for steam service



Female NPT	Forged Steel	
	Part #	Price/E
½"	FSGLBV50	\$158.80
¾"	FSGLBV75	172.65
1"	FSGLBV100	229.60
1¼"	FSGLBV125	416.00
1½"	FSGLBV150	426.35
2"	FSGLBV200	526.45

Betts Wet-R-Dri™ Butterfly Valves



Application:

- designed for handling liquid, gaseous or dry products

Features:

- has a positive stop in the open and closed position
- detent spring and ball assist in holding the disc in the open and closed position
- drilling fits TTMA recommended standards
- opens by turning hand ¼ turn counter clockwise
- temperature range: **0°F to 400°F (-17.7°C to 204.4°C)**



Manual

Size	Maximum Working Pressure PSI	Extruded aluminum body with FKM-B disc	
		Part #	Price/E
3"	75	WD301ALVB	\$285.00
4"	75	WD401ALVB	328.00

Metering



Size	Maximum Working Pressure PSI	Extruded aluminum body with FKM-B disc	
		Part #	Price/E
3"	75	WD304ALVB	\$350.00
4"	75	WD404ALVB	394.00

• For flange dimensions, diagrams and additional information please reference dixonvalve.com.

Ductile Iron **Butterfly Valves**



- for use between two 150 lb. flanges
- 10 position trigger grip handle
- pressure rating: **200 PSI** at ambient temperature **70°F (21°C)**

Threaded Lug Style Butterfly Valves

Features:

- ductile iron body, ASTM A536
- aluminum bronze disc, ASTM B148, ALY.954
- PTFE bushing
- stainless steel top and bottom stems

Size	Ductile Iron with Buna-N liner		Ductile Iron with EPDM liner	
	Part #	Price/E	Part #	Price/E
2"	BFVL200	\$145.00	BFVL200E	\$145.00
3"	BFVL300	181.25	BFVL300E	181.25
4"	BFVL400	270.00	BFVL400E	270.00
6"	BFVL600	475.00	BFVL600E	475.00



Valves

Wafer Style 150 lb. Butterfly Valves with Aluminum Bronze Disc

Features:

- ductile iron body, ASTM A536
- aluminum bronze disc, ASTM B148, ALY.954
- PTFE bushing
- stainless steel top and bottom stems

Size	Ductile Iron with Buna-N liner		Ductile Iron with EPDM liner	
	Part #	Price/E	Part #	Price/E
2"	BBFVW200	\$133.00	BBFVW200E	\$133.00
3"	BBFVW300	170.00	BBFVW300E	170.00
4"	BBFVW400	240.00	BBFVW400E	240.00
6"	BBFVW600	420.00	BBFVW600E	420.00



Wafer Style 150 lb. Butterfly Valves with Stainless Disc

Features:

- ductile iron body, ASTM A536
- stainless steel disc, ASTM A351, GR. CF-8M
- Buna-N seal and stem seals
- PTFE bushing
- stainless steel top and bottom stems

Size	Ductile Iron with Buna-N liner	
	Part #	Price/E
2"	BFVW200	\$150.00
3"	BFVW300	185.00
4"	BFVW400	250.00
6"	BFVW600	527.85



Wafer Style 150 lb. Butterfly Valves with Iron Disc

Features:

- ductile iron body, ASTM A536
- nickel plated ductile iron disc
- Buna-N seal and stem seals
- PTFE bushing
- 416 stainless stem

Size	Ductile Iron with Buna-N liner		Ductile Iron with EPDM liner	
	Part #	Price/E	Part #	Price/E
2"	IBFVW300	\$106.40	IBFVW300E	\$106.40
3"	IBFVW400	140.00	IBFVW400E	140.00
4"	IBFVW600	191.00	IBFVW600E	191.00
6"	IBFVW800	308.00	IBFVW800E	308.00



Steel Series F Flow Control Valves

Features:

- Two-step needle provides fine adjustments at low flow with the first three turns of the adjusting knob. The next three turns give full-open needle position and conventional throttling control. When flow is reversed, a heavy-duty poppet/retainer permits full-flow return capacity.
- color-coded reference scale simplifies flow setting, resetting, adjusting and return to original flow, a simple set screw locks the valve on any desired setting.
- maximum operating pressure: **5000 PSI at 70°F (21°C)** for 1/8" - 1/2", **3000 PSI at 70°F (21°C)** for 3/4" - 2"



Female NPTF	Black Oxide Steel	
	Part #	Price/E
1/8"	SFC200	\$80.45
1/4"	SFC400	84.30
3/8"	SFC600	105.55
1/2"	SFC800	142.20
3/4"	SFC1200	202.55
1"	SFC1600	599.10
1 1/2"	SFC2400	2032.60
2"	SFC3200	4029.05

Brass Series F Flow Control Valves

Features:

- provides precision flow control and full shutoff in one flow direction, automatically allows unrestricted flow in the opposite direction
- two-step needle for fine adjustments at low flow with first 3 turns of the adjusting knob, next 3 turns give full-open needle position and conventional throttling control
- when flow is reversed the heavy-duty poppet/retainer permits full flow return capacity
- color coded scale simplifies flow setting, resetting, adjusting and return to an original flow
- a set screw locks the valve on any desired setting
- maximum operating pressure: **2000 PSI** at ambient temperature **70°F (21°C)** for sizes 1/8" - 3/4", **500 PSI** at ambient temperature **70°F (21°C)** for 1"



Female NPTF	Brass	
	Part #	Price/E
1/8"	BFC200	\$97.75
1/4"	BFC400	104.35
3/8"	BFC600	135.60
1/2"	BFC800	191.85
3/4"	BFC1200	327.50
1"	BFC1600	1340.50

Series MV Metering Flow Control Valves

Features:

- easily make fine adjustments and resets with color code feature that shows when desired setting is reached
- body components are precision-turned from solid barstock
- 416 stainless steel needle
- maximum operating pressure: **5000 PSI at 70°F (21°C)**



Female NPTF	Steel	
	Part #	Price/E
1/4"	SMV400	\$94.35
3/8"	SMV600	180.40
1/2"	SMV800	224.95

Steel Series PF Flow Control Valves

Features:

- recommended for use in non-shock applications
- ball type check meters the flow of hydraulic oil in one direction and allows for free flow in the reverse direction
- maximum operating pressure: **5000 PSI at 70°F (21°C)**, cracking pressure: **5 PSI**

Female NPTF	Zinc Plated Steel with a dichromate seal	
	Part #	Price/E
1/4"	SPF400	\$66.20
3/8"	SPF600	88.10
1/2"	SPF800	110.70



Brass Series PF Flow Control Valves

Features:

- ball type check meters flow of air in one direction and allows free flow in the reverse direction
- used to control actuator speed by acting as a restriction
- maximum operating pressure: **2000 PSI at ambient temperature 70°F (21°C)**
- cracking pressure: **5 PSI**

Female NPTF	Brass	
	Part #	Price/E
1/8"	BPF200	\$69.10
1/4"	BPF400	84.15
3/8"	BPF600	110.00
1/2"	BPF800	150.80



Steel Series N Flow Control Valves

Features:

- excellent speed control on hydraulic systems where a reverse flow check valve is not needed
- reliable shutoff in a very small envelope; color-coded reference scale simplifies setting, resetting, adjusting and quick return to a previous speed setting
- maximum operating pressure: **5000 PSI at 70°F (21°C)** for 1/8" - 3/4", **3000 PSI at 70°F (21°C)** for 1" - 1 1/4"

Female NPTF	Steel	
	Part #	Price/E
1/8"	SN200	\$86.05
1/4"	SN400	86.35
3/8"	SN600	107.20
1/2"	SN800	137.55
3/4"	SN1200	193.55
1"	SN1600	1031.60
1 1/4"	SN2000	1423.75



Brass Series N Flow Control Valves

Features:

- for use as speed control on hydraulic and pneumatic systems where a reverse flow check valve is not needed
- provides excellent control and reliable shutoff in a very small envelope
- color coded scale simplifies setting, resetting, adjusting and quick return to a previous speed setting
- maximum operating pressure: **2000 PSI at ambient temperature 70°F (21°C)** for sizes 1/8" - 3/4", **500 PSI at ambient temperature 70°F (21°C)** for 1"

Female NPTF	Brass	
	Part #	Price/E
1/8"	BN200	\$93.55
1/4"	BN400	96.25
3/8"	BN600	125.60
1/2"	BN800	175.55
3/4"	BN1200	370.90
1"	BN1600	1555.85



Mini Needle Valves

Valves

Features:

- available in a variety of materials and handle options
- FKM O-ring seal and PTFE back-up ring below the threads protects from corrosion and galling
- stem threads are rolled for strength and ease of operation
- metal-to-metal hard seat design is 100% helium leak tested to 1 x 10⁻⁴ ml/s at 200 PSI
- 1/8" and 1/4" are orifice size: 0.172", flow coefficient: 0.42
- 1/2": orifice size are 0.187", flow coefficient: 0.44, hex body
- all stems are 316 stainless steel

Male to Female



NPT Size	Handle Style	PSI @ 200°F	Brass		Handle Style	PSI at 200°F	Zinc Nickel Plated Steel		316 Stainless Steel	
			Part #	Price/E			Part #	Price/E	Part #	Price/E
1/8" - 27		6000	MFB101	\$64.25	T design	10000	MFC101	\$49.20	MFS101	\$111.05
1/4" - 18		6000	MFB102	64.25	T design	10000	MFC102	49.20	MFS102	111.05
1/2" - 14	---	---	---	---	T design	10000	MFC404	69.10	MFS404	172.70

Female to Female



NPT Size	Handle Style	PSI at 200°F	Brass		Handle Style	PSI at 200°F	Zinc Nickel Plated Steel		316 Stainless Steel	
			Part #	Price/E			Part #	Price/E	Part #	Price/E
1/8" - 27		6000	FFB101	\$64.25	T design	10000	FFC101	\$49.20	FFS101	\$111.05
1/4" - 18		6000	FFB102	64.25	T design	10000	FFC102	49.20	FFS102	111.05
1/2" - 14	---	---	---	---	T design	10000	FFC404	69.10	FFS404	163.10

Multiport Needle Valves

Features:

- reduces the number of gauge and other instrument connections to permanent piping installations, decreasing possible leak paths
- FKM O-ring seal and PTFE back-up ring below the threads protects from corrosion and galling
- stem threads are rolled for strength and ease of operation
- metal-to-metal hard seat design is 100% helium leak tested to 1 x 10⁻⁴ ml/s at 200 PSI
- 1/2" female NPT port
- orifice size is 0.187", flow coefficient: 0.44
- all stems are 316 stainless steel

Hard Seat Male to Female



NPT Size	Handle Style	PSI at 200°F	Zinc Nickel Plated Steel		316 Stainless Steel	
			Part #	Price/E	Part #	Price/E
1/2" - 14	T design	10000	MFC204	\$202.25	MFS204	\$411.10
3/4" - 14	T design	10000	MFC20604	202.25	MFS20604	411.10

Soft Seat Male to Female



NPT Size	Handle Style	PSI at 200°F	Zinc Nickel Plated Steel		316 Stainless Steel	
			Part #	Price/E	Part #	Price/E
1/2" - 14	T design	6000	MFC304	\$202.25	MFS304	\$411.10
3/4" - 14	T design	6000	MFC30604	202.25	MFS30604	411.10

Block and Bleed Needle Valves

Features:

- allows pressure to be bled off without disturbing the permanent piping installation allowing quick and easy removal or replacement of instruments
- FKM O-ring seal and PTFE back-up ring below the threads protects from corrosion and galling
- stem threads are rolled for strength and ease of operation
- metal-to-metal hard seat design is 100% helium leak tested to 1 x 10⁻⁴ ml/s at 200 PSI
- orifice size is 0.187", flow coefficient: 0.44
- all stems are 316 stainless steel
- 0.090" bleed hole located on bottom is controlled by a ¼"-20 UNF-2A bleed screw

Hard Seat Male to Female

NPT Size	Handle Style	PSI at 200°F	Zinc Nickel Plated Steel		316 Stainless Steel	
			Part #	Price/E	Part #	Price/E
¼" - 18	T design	10000	MFC602	\$126.60	MFS602	\$283.85
½" - 14	T design	10000	MFC604	136.55	MFS604	311.45



Soft Seat Male to Female

NPT Size	Handle Style	PSI at 200°F	Zinc Nickel Plated Steel		316 Stainless Steel	
			Part #	Price/E	Part #	Price/E
¼" - 18	T design	6000	MFC702	\$129.50	MFS702	\$286.10
½" - 14	T design	6000	MFC704	138.95	MFS704	311.70



Bleed Needle Valves

Features:

- convenient way to relieve process pressures trapped between a shut-off valve and the instrument
- FKM O-ring seal and PTFE back-up ring below the threads protects from corrosion and galling
- stem threads are rolled for strength and ease of operation
- metal-to-metal hard seat design is 100% helium leak tested to 1 x 10⁻⁴ ml/s at 200 PSI
- non-rotating soft tip stem and a backup metal-to-metal seal
- all stems are 316 stainless steel
- 0.159" bleed port

Hard Seat Male

NPT Size	Handle Style	PSI at 200°F	Zinc Nickel Plated Steel		316 Stainless Steel	
			Part #	Price/E	Part #	Price/E
¼" - 18	T design	10000	MC802	\$104.60	MS802	\$132.70
½" - 14	T design	10000	MC804	119.35	MS804	140.40



1

Soft Tip Male

NPT Size	Handle Style	PSI at 200°F	Zinc Nickel Plated Steel		316 Stainless Steel	
			Part #	Price/E	Part #	Price/E
¼" - 18	T design	6000	MC852	\$104.60	MS852	\$132.70
½" - 14	T design	6000	MC854	119.35	MS854	140.40



1

Valves

Button

Valves



Thread	Brass	
	Part #	Price/E
¼" NPT female	BV2F	\$24.75
¼" NPT male	BV2M	24.75

Tank Filler



Applications:

- used on compressed air tanks and other applications

Feature:

- standard valve stem thread

1



1L

Connection	Length	Nickel Plated		Length	Brass	
		Part #	Price/E		Part #	Price/E
⅛" NPT	.85"	TFV1S	\$5.10	---	---	---
	1.24"	TFV1L	6.30	---	---	---
¼" NPT	1"	TFV2	5.95	---	---	---
¼" barb	---	---	---	1.57"	TFV2HB	\$8.45

Brass Lever External Drains

Application:

- for air service only 

Feature:

- maximum operating pressure: **30 PSI** at ambient temperature **70°F (21°C)**



Female NPT	Male NPT	Brass	
		Part #	Price/E
¼"	¼"	LDC2	\$32.00



Male NPT	Male NPT	Brass	
		Part #	Price/E
¼"	¼"	LDCM2	\$35.50



Female NPT	Female NPT	Brass	
		Part #	Price/E
¼"	¼"	LDCF2	\$34.00

Brass External Drain Cocks

Applications:

- designed for low pressure water and air applications

Feature:

- maximum operating pressure: **150 PSI** at ambient temperature (**70°F (21°C)**)



NPT Size	Brass	
	Part #	Price/E
⅛"	D02	\$3.50
¼"	D04	5.05

Needle Valves

Features:

- metal-to-metal seats allow positive sealing and flow adjustment
- designed for air and water applications
- maximum working pressure: **150 PSI** at ambient temperature **70°F (21°C)**

female x female

Female NPT	Female NPT	Brass	
		Part #	Price/E
1/8"	1/8"	NV2F	\$16.30
1/4"	1/4"	NV4F	24.25



Valves

male x male

Male NPT	Male NPT	Brass	
		Part #	Price/E
1/4"	1/4"	NV4M	\$22.50



Safety Check Valves

Valves

Application:

- used in temporary plant/factory air lines, construction sites, shipyards or utilities
- not for use in applications where 100% of the available air is required, i.e. sand blast, pile driving rigs, expansion joint blow down pipes, etc.



Features:

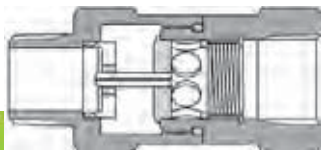
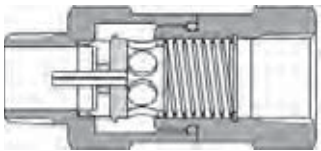
- high flow valve provides optimum performance
- controls excess air flow (SCFM) in only one direction
- automatically senses change in air flow and shuts off the flow in the event of a surge in excess of valve flow rating thus preventing hose whip
- solid brass body and valve
- stainless steel spring and roll pin
- maximum operating pressure: **350 PSI**
- maximum temperature: **250°F (121°C)**
- does not prevent backflow

Specification:

- conforms to OSHA regulation 1926.302 (b) (7) requiring a safety device at the source of the air supply and at branch air lines

How It Works:

- Safety check valves utilize the pressure differential across the valve to operate the valve and spring assembly. The pressure differential is directly related to the flow of air (SCFM) through the valve.
- When the pressure differential is within the operating limits - below the cutoff flow - of the unit, the force on the valve exerted by the spring is greater than that caused by the pressure differential (see "Open Position" graphic above). The valve remains open and normal operation continues.
- When the pressure differential is above the cutoff limit, the force on the valve exerted by the pressure differential is greater than the force exerted by the spring, and the valve closes (see the "Closed Position" graphic above).
- After the repair is made, normal operation is automatically enabled when pressure across the valve equalizes through the bleeder hole.
- The valve spring size can be specified by determining the air flow during normal operation and by estimating the air flow if a failure or rupture occurs.



NPT & Hose ID Size	Cut-off Flow Rate (SCFM at 90 PSI)	Brass		NPT & Hose ID Size	Cut-off Flow Rate (SCFM at 90 PSI)	Brass	
		Part #	Price/E			Part #	Price/E
¼"	23-29	SCVL2	\$65.08	1¼"	260-290	SCVL10	\$242.37
	30-36	SCVL3	61.05		300-340	SCVM10	242.37
	39-47	SCVM3	61.05		440-500	SCVS10	242.37
½"	52-65	SCVS3	61.05	1½"	570-630	SCVH10	242.37
	70-78	SCVM4	65.55		300-360	SCVL12	406.54
	80-96	SCVS4	65.55		470-530	SCVM12	406.54
¾"	72-88	SCVL6	103.75	1½"	564-602	SCVX12	406.54
	92-108	SCVM6	103.75		640-720	SCVS12	406.54
	112-128	SCVR6	103.75		750-830	SCVH12	406.54
	132-148	SCVJ6	103.75	2"	510-590	SCVL16	555.14
	160-180	SCVS6	103.75		725-825	SCVM16	555.14
	180-200	SCVH6	103.75		900-1050	SCVS16	555.14
1"	165-195	SCVL8	117.33	3"	1100-1200	SCVH16	555.14
	220-260	SCVM8	117.33		1200-1400	SCVL24	2357.34
	280-320	SCVS8	117.33		2400-2700	SCVS24	2357.34
	310-340	SCVH8	117.33		2850-3050	SCVH24	2357.34

Safety Pop-Off Valves

Applications:

- for use on compressors and in compressed air service

Features:

- designed to protect un-fired pressure vessels from over-pressure
- ASME Code, National Board Certified
- CSA B51-03 certified
- maximum temperature: **400°F (204°C)**

Soft Seat

Feature:

- constructed of precision machined brass bar stock with a silicone disc sealing on the brass

Male NPT	Preset Pressure PSI	SCFM	Brass	
			Part #	Price/E
¼"	100	51	KSV10-100	\$16.40
	125	62	KSV10-125	16.40
	150	73	KSV10-150	16.40
	175	84	KSV10-175	16.40



Standard

Features:

- brass valves are supplied with a stainless steel ball
- stainless valves are all stainless construction with a soft seat

Male NPT	Preset Pressure PSI	SCFM	Brass		SCFM	Stainless Steel	
			Part #	Price/E		Part #	Price/E
¼"	30	35	SV30	\$35.75	35	SV30SS	\$198.00
	100	89	SV100	35.75	92	SV100SS	198.00
	125	109	SV125	35.75	112	SV125SS	198.00
	150	129	SV150	35.75	132	SV150SS	198.00
	175	149	SV175	35.75	153	SV175SS	198.00
	200	168	SV200	35.75	173	SV200SS	198.00



Heavy Duty, High Capacity

Feature:

- all brass construction with stainless steel ball on a precision machined brass seat

Male NPT	Preset Pressure PSI	SCFM	Brass	
			Part #	Price/E
½"	30	73	SV30HD¹	\$84.20
	100	208	SV100HD	84.20
	125	254	SV125HD	84.20
	150	300	SV150HD	84.20
	175	346	SV175HD	84.20
	200	391	SV200HD	84.20



¹ constructed with soft seat

Series C Check Valves

Valves

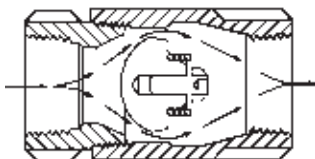


Features:

- provides free flow in one direction and dependable shutoff in the opposite direction
- maximum operating pressure: **2000 PSI** at ambient temperature **70°F (21°C)**
- cracking pressure: **5 PSI**

Female NPT	Free Flow GPM	Maximum Operating PSI at 70°F (21°C)	Brass		Maximum Operating PSI at 70°F (21°C)	Steel	
			Part #	Price/E		Part #	Price/E
1/8"	3	2000	BCV200	\$59.60	5000	SCV200	\$64.85
1/4"	5	2000	BCV400	55.90	5000	SCV400	65.00
3/8"	8	2000	BCV600	85.15	5000	SCV600	77.00
1/2"	15	2000	BCV800	109.85	5000	SCV800	85.50

Domestic Ball Cone Check Valves



Pressure Ratings

Temperature	Pressure WOG (PSI)
-20°F to 100°F (-29°C to 38°C)	400
200°F (93°C)	200
250°F (121°C)	160
275°F (135°C)	150
300°F (149°C)	140
325°F (163°C)	130
353°F (178°C)	125

Application:

- For use with water, oil or inert gases. Not recommended for use on or near reciprocating pumps or other similar vibration causing machinery.

Features:

- tight shut-off with liquid media
- no radial alignment necessary
- straight through and streamlined for minimum change in velocity
- Reinforced PTFE check is spring loaded for fast seating action.
- pressure rating: **400 PSI** WOG, cold non-shock; **125 PSI** saturated steam
- cracking pressure: **.5 PSI**
- temperature range: **-20°F to 353°F (-29°C to 178°C)**

Ball Cone Check Valve Female NPT x Female NPT

Size	Brass		316 Stainless Steel	
	Part #	Price/E	Part #	Price/E
1/4"	61-101	\$62.00	62-101	\$136.00
3/8"	61-102	62.00	62-102	136.00
1/2"	61-103	62.00	62-103	160.00
3/4"	61-104	89.00	62-104	256.00
1"	61-105	120.00	62-105	350.00
1 1/4"	61-106	212.00	62-106	490.00
1 1/2"	61-107	268.00	62-107	660.00
2"	61-108	440.00	62-108	1140.00
2 1/2"	61-109	900.00	---	---
3"	61-100	1500.00	---	---



Ball Cone Check Valve Male NPT x Female NPT

Size	Brass	
	Part #	Price/E
1/4"	61-201	\$85.50
3/8"	61-202	85.50
1/2"	61-203	85.50
3/4"	61-204	112.00
1"	61-205	162.00
1 1/4"	61-206	264.00
1 1/2"	61-207	335.00
2"	61-208	560.00



800 PSI Stainless Steel Check Valves

Features:

- soft PTFE seat is spring loaded for fast seating action
- flow profile designed to minimize head loss
- temperature range: **10°F to 450°F (-12°C to 232°C)**
- pressure rating: **800 PSI WOG; 125 PSI saturated steam**
- cracking pressure: **.5 PSI**
- corrosion resistance, excellent for use on chemicals
- dual guided stem and disc

Female NPT	316 Stainless Steel Part #	Price/E
1/4"	SSCVIL025	\$114.00
3/8"	SSCVIL038	114.00
1/2"	SSCVIL050	114.00
3/4"	SSCVIL075	169.00
1"	SSCVIL100	200.00
1 1/4"	SSCVIL125	339.00
1 1/2"	SSCVIL150	416.00
2"	SSCVIL200	472.00



Valves

Forged Steel Check Valves

Features:s

- Class 800
- ASTM A105, ANSI B120.1
- bolted bonnet
- pressure rating: **1975 PSI**
- maximum temperature: **800°F (427°C)**
- can be used for steam service

Female NPT	Forged Steel Part #	Price/E
1/2"	FSCV50	\$129.45
3/4"	FSCV75	145.00
1"	FSCV100	203.70
1 1/4"	FSCV125	355.60
1 1/2"	FSCV150	378.05
2"	FSCV200	453.95



Spring-Loaded Check Valves

Features:

- cracking pressure: 0.50 PSI
- NBR seat
- soft seat for bubble tight shutoff, spring loaded for fast seating action
- flow profile designed to minimize head loss
- pressure rating : 1/2" - 2" **400 PSI WOG**; 3" - 4" **175 PSI WOG**
- temperature range: **10°F to 210°F (-10°C to 100°C)**

Female NPT	Brass Part #	Price/E
1/2"	CV050	\$18.60
3/4"	CV075	25.00
1"	CV100	34.00
1 1/4"	CV125	53.00
1 1/2"	CV150	79.30
2"	CV200	112.75
3"	CV300	355.90
4"	CV400	550.00



Strainer with Spring-Loaded Check Valves

Valves



Features:

- brass with NBR seat and stainless steel strainer
- soft seat for bubble tight shutoff, spring loaded for fast seating action
- flow profile designed to minimize head loss
- temperature range: **10°F to 210°F (-10°C to 100°C)**
- cracking pressure: **0.50 PSI**
- pressure rating: 1½"-2" **400 PSI WOG**, 3"-4" **175 PSI WOG**

Female NPT	Part #	Price/E
	<i>Brass</i>	
1½"	BVFS20	\$89.60
2"	BVFS25	129.00
3"	BVFS35	379.50
4"	BVFS40	572.50

Horizontal Swing Check Valves

Applications:

- for use in plumbing and liquid piping systems to prevent back flow

Features:

- full flow performance with a minimum of turbulence or pressure loss
- brass disc
- for horizontal or vertical use
- A positive seating disc allows flow only in one direction and a screw-in cap provides easy access for periodic cleaning.
- pressure rating: **200 PSI WOG**
- temperature range: **-20° to 150°F (-29°C to 66°C)**



Female NPT	Part #	Price/E
	<i>Brass</i>	
½"	SWCV50	\$19.90
¾"	SWCV75	26.10
1"	SWCV100	35.55
1¼"	SWCV125	56.50
1½"	SWCV150	71.10
2"	SWCV200	110.80
3"	SWCV300	309.80
4"	SWCV400	440.00

Domestic Swing Check Valves

Features:

- Class 150
- ASME B1.20.1
- metal seat
- 100% factory tested
- working pressure: **300 PSI cold, 150 PSI steam**
- temperature range: **-20°F to 406°F (-29°C to 208°C)**



Female NPT	Part #	Price/E
	<i>Brass</i>	
½"	DSCV50	\$154.00
¾"	DSCV75	187.00
1"	DSCV100	252.00
1¼"	DSCV125	333.00
1½"	DSCV150	432.00
2"	DSCV200	646.00

Domestic Cast Angle Valves



Features:

- UL listed and FM approved
- aluminum hand wheel
- working pressure: **300 PSI** at **70°F (21°C)**

female x male

Inlet Female NPT	Outlet Male Thread	Cast Brass	
		Part #	Price/E
1½"	1½" NST (NH)	AV150	\$300.00
	1½" NPSH	AV150S	300.00
	1½" NPT	AV150T	300.00
2½"	2½" NST (NH)	AV250	473.65
	2½" NYFD	AV250NYFD¹	473.65

¹ supplied with red hand wheel

female x female

Inlet Female NPT	Outlet Female NPT	Cast Brass	
		Part #	Price/E
1½"	1½"	AVF150	\$300.00
2½"	2½"	AVF250	473.65



Valves

Replacement Parts

Description	Part #	Price/E
aluminum handwheel for 1½" valve	AV150-W	\$17.45
aluminum handwheel for 2½" valve	AV250-W	26.00
handwheel nut for 1½" valve	AV150-N	1.55
handwheel nut for 2½" valve	AV250-N	1.50
valve seal rubber for 1½" valve	AV150-RBR	17.80
valve seal rubber for 2½" valve	AV250-RBR	18.70

Dimensions

Size	A	B	C closed	C open	D	F
1½"	2-11/64"	2-7/32"	6⅝"	7-21/32"	3¾"	2-13/16"
2½"	3-3/16"	3-3/16"	9¼"	11"	5"	3-19/32"





500# Angle Hose Valves

Valves

Applications:

- fire department, gravity and pressure tank connections, test connections, and public water supplies to sprinkler and standpipe systems where it is necessary to access the system for a fire hose connection

Features:

- designed and approved to manage 500 PSI pressures in piping systems
- red handwheel
- FM approved
- New York City Board of Standards and Appeals, approval # MEA 54-07-E
- maximum operating pressure: **500 PSI at 70°F (21°C)**

Female x Male



Inlet Female NPT	Outlet Male Thread	Cast Brass	
		Part #	Price/E
2½"	2½" NST (NH)	AV5-250F	\$711.25
2½"	2½" NYFD	AV5-250NYFD	711.25

Female x Female



Inlet Female NPT	Outlet Female NPT	Cast Brass	
		Part #	Price/E
2½"	2½"	AVF5-250	\$711.25



Global Cast Angle Valves



Features:

- NPT inlet thread only
- aluminum handwheel
- working pressure: **300 PSI** at **70°F (21°C)**
- UL listed and FM approved
- New York City Board of Standards and Appeals, approval # MEA 54-07-E
- available finishes:
 - cast (standard)
 - polished: -P
 - chrome: -C
 - minimum quantity for special thread, consult Dixon®

Female Inlet

Inlet Female NPT	Outlet Male Thread	Cast Yellow DZR Brass	
		Part #	Price/E
1½"	1½" male NST (NH)	AV150-I	\$108.80
2½"	2½" male NST (NH)	AV250-I	222.00
2½"	2½" MNYFD	AV250NYFD-I	222.00



Double Female

Features:

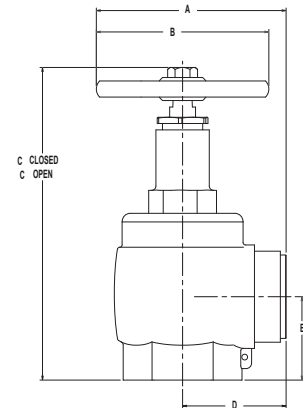
- NPT inlet and outlet
- aluminum handwheel
- working pressure: **300 PSI** at **70°F (21°C)**
- New York City Board of Standards and Appeals, approval # MEA 54-07-E
- available finish:
 - cast (standard)
 - polished = -P
 - chrome = -C

Inlet Female NPT	Outlet Female NPT	Cast Yellow DZR Brass	
		Part #	Price/E
1½"	1½"	AVF150-I	\$108.80
2½"	2½"	AVF250-I	222.00



Dimensions

Size	A	B	C closed	C open	D	E	Wt. in Lbs.
1½"	4.13"	3.75"	6.80"	7.78"	2.25"	1.81"	4.4
2½"	5.69"	5.00"	9.00"	10.72"	3.19"	2.59"	9.5





Global Forged Angle Hose Valves

Valves

Features:

- to be used with a fire hose rack assembly, or as a fire department outlet connection
- UL listed and FM approved
- red steel handwheel
- maximum operating pressure: **300 PSI at 70°F (21°C)**
- polished or chrome plated parts with other outlet threads are also available, consult Dixon® for information



Female x Male

Inlet Female NPT	Outlet Male Thread	Forged Brass	
		Part #	Price/E
1 1/2"	1 1/2" NST (NH)	AV151	\$174.05
2 1/2"	2 1/2" NST (NH)	AV251	302.75
	2 1/2" NYC	AV251NYC	302.75
	2 1/2" NYFD	AV251NYFD	302.75
	3" NST (NH)	AV2531	414.00



Female x Female

Inlet Female NPT	Outlet Female NPT	Forged Brass	
		Part #	Price/E
1 1/2"	1 1/2"	AVF151	\$174.05
2 1/2"	2 1/2"	AVF251	302.75

Replacement Parts



Description	Part #	Price/E
handwheel for 1 1/2" valve	AV151-WR	\$32.90
handwheel for 2 1/2" valve	AV251-WR	36.35
handwheel nut for 1 1/2" and 2 1/2" valve	AV251-N	1.35
valve seal rubber for 1 1/2" valve	AV151-RBR	16.95
valve seal rubber for 2 1/2" valve	AV251-RBR	15.15

Non-rising Stem Wedge Disc Gate Valves



Features:

- red iron handwheel, with brass cap and chain
- cap not included on the NYFD threaded valve and special threaded valves
- solid wedge disc with tapered seats
- 2½" UL listed and FM approved
- FM approved
- working pressure: **300 PSI at 70°F (21°C)**
- other configurations are available, contact Dixon® for additional information

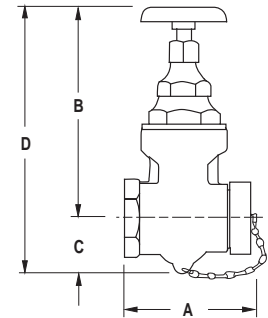
Inlet Female NPT	Outlet Male Thread	UL Listed	Cast Brass	
			Part #	Price/E
1½"	1½" NST (NH)	no	WDGV150F	\$515.00
2½"	2½" NST (NH)	yes	WDGV250F	888.00
2½"	2½" NYFD	yes	WDGV250NYFD	888.00



Valves

Dimensions

Size	A	B	C	D
1½"	3-49/64"	5⅝"	1⅛"	6⅜"
2½"	6"	10¾"	2½"	13¼"



Global Non-rising Stem Wedge Disc Gate Valves



Features:

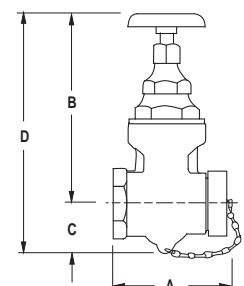
- working pressure: **300 PSI (2069 kPa)**
- custom male thread available
- UL listed and FM approved
- non-rising stem
- cast brass with solid wedge disc and tapered seats
- red iron wheel handle with cap and chain (cap not supplied on non-standard threads)
- alloy = DZR brass
- furnished with 2½" NST brass cap and chain
- available finishes:
 - cast (standard)
 - polished trim - P
 - cast chrome - RC
 - polished chrome trim - C

Inlet Female NPT	Outlet Male NST	UL Listed	Cast DZR Brass	
			Part #	Price/E
2½"	2½"	yes	GWDGV250F	\$280.40



Dimensions

Size	A	B	C	D
2½"	5"	7¾"	2½"	10"





Non-rising Stem Wedge Disc Gate Valves

Valves



Applications:

- for use on standpipes, fire pumps and hydrants

Features:

- satin finish
- red handwheel
- solid wedge disc with tapered seats
- straightway pattern
- UL listed and FM approved
- working pressure: **300 PSI at 70°F (21°C)**

Inlet Female NPT	Outlet Male NST (NH)	Forged Brass	
		Part #	Price/E
2½"	2½"	WDGV251F	\$505.40
3"	2½"	WDGV3025F	610.75

Rising Stem Wedge Disc Gate Valves



Features:

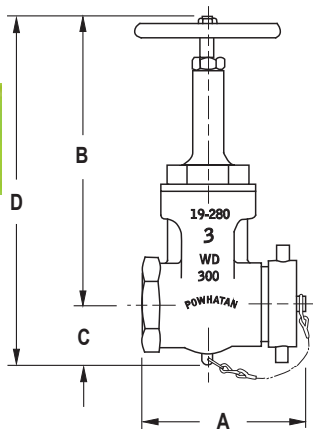
- red iron handwheel, with brass cap and chain
- solid wedge disc with tapered seats
- not recommended for wet standpipe systems, use AV250 (18-157) for this purpose, see page I-31
- other configurations are available, contact Dixon® for additional information



Inlet Female NPT	Outlet Male	Working Pressure PSI	Cast Brass	
			Part #	Price/E
2½"	2½" NST (NH)	200	RWDGV250F	\$938.25
3"	2½" NST (NH)	300	RWDGV3025F¹	1032.50

¹ UL listed

Dimensions



Size	A	B closed	C	D closed	D open
2½"	6½"	11	2½"	13½"	16¼"
3" x 2½"	6-3/16"	11	2½"	13½"	16¼"



Single Hydrant Gate Valves with Hand Wheel

Application:

- used to throttle the flow from a fire hydrant preventing damage to the hydrant

Features:

- O-ring seal
- UL listed
- for use on standpipes and fire pumps where UL listing is required
- maximum operating pressure: **175 PSI** (water only) at **70°F (21°C)**
- other configurations are available, contact Dixon® for additional information



Valves

Inlet Female	Outlet Male	Cast Red Brass	
		Part #	Price/E
2½" NST (NH)	2½" NST (NH)	UHGV250F	\$450.00
2½" NST (NH)	2½" NST (NH)	UHGV250F-D	595.70

Replacement Part

Description	Part #	Price/E
handwheel	UHGV250-W	\$23.00



Single Hydrant Gate Valves with Speed Handle

Application:

- used to throttle the flow from a fire hydrant preventing damage to the hydrant

Features:

- pin lug swivel, non-rising stem, aluminum speed handle
- rubber seal
- for use on hydrants, standpipes, and fire pumps
- maximum operating pressure: **175 PSI** (water only) at **70°F (21°C)**
- other configurations are available, contact Dixon® for additional information



Inlet Female	Outlet Male	Cast Red Brass	
		Part #	Price/E
2½" NST (NH)	2½" NST (NH)	HGV250F	\$318.00
2½" NST (NH)	2½" NST (NH)	HGV250F-D	499.00
2½" NST (NH)	2½" NPSH	HGV250	318.00

Replacement Part

Description	Aluminum	
	Part #	Price/E
speed handle	HGV250-H	\$18.00





Valves

Single Hydrant Gate Valves with Handwheel



Application:

- protects fire hydrants from damage that can occur if they are used for throttling

Features:

- pin lug swivel, non-rising stem, red handwheel
- metal to metal seal
- UL listed
- for use on hydrants, standpipes, and fire pumps
- maximum operating pressure: **300 PSI** (water only) at **70°F (21°C)**

Inlet Female	Outlet Male	Forged Brass	
		Part #	Price/E
2½" NST (NH)	2½" NST (NH)	HGVW250F	\$540.75

Replacement Part



Description	Part #	Price/E
handwheel	HGVW250-W	\$50.15

Hydrant Gate Valves with Speed Handle



Features:

- protects fire hydrants from damage that can occur if they are used for throttling
- full 2½" waterway
- anodized throughout - minimum thickness 0.001"
- test pressure: **250 PSI**, working pressure: **100 PSI** at **70°F (21°C)**

Inlet Female Swivel	Outlet Male	Aluminum Alloy, 356-T6	
		Part #	Price/E
2½" NPSH	2½" NPSH	AHGV250	\$656.25
2½" NST (NH)	2½" NST (NH)	AHGV250F	656.25

Replacement Part



Description	Part #	Price/E
handwheel and knob	HGV-HDWHL	\$48.00
knob only	HGV-KNOB	22.80

Global Hydrant Gate Valves with Speed Handle



Application:

- protects fire hydrants from damage that can occur if they are used for throttling

Features:

- pin lug swivel, non-rising stem, aluminum speed handle
- non-metallic seal
- maximum operating pressure: **175 PSI** (water only) at **70°F (21°C)**

Inlet Female NST (NH)	Outlet Male NST (NH)	Aluminum Alloy	
		Part #	Price/E
2½"	2½"	AHGV250F-I	\$394.30

Replacement Part



Description	Aluminum	
	Part #	Price/E
speed handle	AHGV250F-H	\$68.75



Large Diameter (LDH) Gate Valves

Application:

- used on the suction intake and discharge sides of a pumper or on a hydrant

Features:

- 30° elbow needs only 8 easy turns to open and close
- non-rising stem, with an air bleed off
- finish anodized throughout - minimum thickness 0.001"
- maximum operating pressure: **280 PSI at 70°F (21°C)**, without relief valve
- 4½" minimum waterway

Storz x Storz

Inlet Storz	Outlet Storz	Length	Width	Height	Aluminum Alloy, 356-T6	
					Part #	Price/E
4"	4"	9"	6¼"	19½"	SGV440	\$2190.80
	5"	9"	7¾"	19½"	SGV450	2468.20
5"	4"	9"	7¾"	19½"	SGV540	2503.35
	5"	9"	7¾"	19½"	SGV550	2375.65

- all measurements include handles



Storz x Storz 30° with Air Bleeder

Inlet Storz	Outlet Storz	Length	Width	Height	Aluminum Alloy, 356-T6	
					Part #	Price/E
4"	4"	9"	6¼"	20.0"	SGV440	\$2190.80
	5"	9"	7¾"	20.0"	SGV450	2468.20
5"	4"	9"	7¾"	20.0"	SGV540	2503.35
	5"	9"	7¾"	20.0"	SGV550	2375.65

- all measurements include handles



Storz x Female Swivel

Inlet Storz	Outlet Female NST Swivel	Length	Width	Height	Aluminum Alloy, 356-T6	
					Part #	Price/E
4"	4"	9"	6"	19½"	FSGV440F	\$2217.55
	4½"	9"	6½"	19½"	FSGV445F	2222.40
	5"	9"	7"	19½"	FSGV450F	2344.40
	6"	9"	8"	19½"	FSGV460F	2350.80
5"	4"	9"	6"	19½"	FSGV540F	2342.95
	4½"	9"	6½"	19½"	FSGV545F	2347.75
	5"	9"	7"	19½"	FSGV550F	2469.75
	6"	9"	8"	19½"	FSGV560F	2392.90

- all measurements include handles



Wharf Hydrants

Valves



Features:

- used to provide a fire department outlet connection
- pentagon nut at top of spindle discourages unauthorized use
- hydrostatically tested
- maximum operating pressure: **300 PSI at 70°F (21°C)**

Inlet Female NPT	Outlet Male NST (NH)	Height Open	Height Closed	Cast Brass	
				Part #	Price/E
3"	2½"	16.38	14.25	WHYD3025F	\$932.15
4"	2½"	16.38	14.25	WHYD4025F	1053.70
4"	4½"	18.13	15.63	WHYD4045F	1310.00

Replacement Parts



Description	Part #	Price/E
hand wheel	46-030-00025	\$26.00
pentagon hex nut	44-251-00006	40.25

Forestry Grade ¼ Turn Ball Type Wye Valves




Features:

- cast aluminum swivel inlet, anodized body, hard-coated threads
- built to US Forest Service specifications
- 1" and 1½" for use up to **600 PSI** (water/AFFF only); 2½" for use up to **400 PSI** (water/AFFF only)

Female Thread	(2) Male Threads	Cast Aluminum	
		Part #	Price/E
1" NPSH	1" NPSH	FWV10S10S	\$661.95
1½" NPSH	1½" NPSH	FWV15S15S	763.80
1½" NST (NH)	1½" NST (NH)	FWV15F15F	763.80
2½" NST (NH)	1½" NST (NH)	FWV25F15F	763.80
2½" NST (NH)	2½" NST (NH)	FWV25F25F	2041.25

1/4 Turn Plug Type Wye Valves

Features:

- pin lug swivel
- maximum operating pressure: **175 PSI** (water only) at **70°F (21°C)**
- not recommended for charged pre-connected hose 

Inlet Female NST (NH)	(2) Outlets Male	Cast Brass	
		Part #	Price/E
2½"	1½" NST (NH)	S6175	\$748.75
2½"	1½" NPSH	S6175S	813.00



Valves

1/4 Turn Ball Type Wye Valve

Features:

- rocker lug swivel
- operates easily under high pressure
- handles are not field replaceable
- seals on the ball are field adjustable and field replaceable
- maximum operating pressure: **175 PSI** (water only) at **70°F (21°C)**

Specification:

- meets NSN specifications # 4210-00-255-0234

Inlet Female	(2) Outlets Male	Cast Brass	
		Part #	Price/E
2½" NST (NH)	1½" NPSH	S7337S	\$1084.00



Full Flow 1/4 Turn Ball Type Wye Valves

Features:

- recommended for charged pre-connected hose lines
- pin lug swivel
- maximum operating pressure: **175 PSI** (water only) at **70°F (21°C)**
- other configurations are available, contact Dixon® for additional information

Inlet Female Swivel	(2) Outlets Male	Cast Brass	
		Part #	Price/E
1½" NPSH	1½" NPSH	S7100-15S	\$298.00
1½" NST (NH)	1½" NST (NH)	S7100-15	298.00
2½" NST (NH)	1½" NST (NH)	S7100	298.00



Leader Line 1/4 Turn Ball Type Wye Valve

Features:

- body painted red with chrome trim
- maximum operating pressure: **400 PSI** (water only) at **70°F (21°C)**

Inlet Female NST (NH)	(2) Outlets Male NST (NH)	Brass	
		Part #	Price/E
2½"	1½"	LLBV2515F	\$934.25



2-Way Ball Valves

Valves



Inlet Female Swivel	(2) Outlet Male	Aluminum	
		Part #	Price/E
1½" NST (NH)	1½" NST (NH)	FMBV15F15F	\$401.20
1½" NPSH	1½" NPSH	FMBV15S15S	401.20
2½" NST (NH)	1½" NST (NH)	FMBV25F15F	628.15
2½" NST (NH)	2½" NST (NH)	FMBV25F25F	1699.00
4" NST (NH)	2½" NST (NH)	FMBV40F25F	1971.10
4½" NST (NH)	2½" NST (NH)	FMBV45F25F	2164.85
5" NST (NH)	2½" NST (NH)	FMBV50F25F	1541.40
6" NST (NH)	2½" NST (NH)	FMBV60F25F	1586.55

Plain Wyes with Pin Lugs

Features:

- divides one stream into two
- other configurations are available, contact Dixon® for additional information



Inlet Female	(2) Outlets Male	Cast Brass	
		Part #	Price/E
1½" NST (NH)	1½" NST (NH)	PW15F15F	\$125.00
1½" NPSH	1½" NPSH	PW15S15S	265.05
2½" NST (NH)	1½" NST (NH)	PW25F15F	190.00
2½" NST (NH)	2½" NST (NH)	PW25F25F	225.00

Straight Globe Valves

Features:

- ideal for wet and combination systems
- used with a fire hose rack assembly, or as a fire department outlet connection
- aluminum handwheel
- maximum operating pressure: **300 PSI at 70°F (21°C)**

Female x Male

Inlet Female NPT	Outlet Male NST (NH)	Cast Brass	
		Part #	Price/E
1½"	1½"	SGV150F	\$374.05
2½"	2½"	SGV250F	566.70



Valves

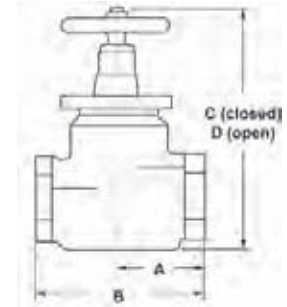
Female x Female

Inlet Female NPT	Outlet Female NPT	Cast Brass	
		Part #	Price/E
1½"	1½"	SGVF150	\$448.20
2½"	2½"	SGVF250	635.35



Dimensions

Size	A	B	C closed	D open
1½"	2 ⁵ / ₈ "	4 ³ / ₄ "	7 ¹ / ₄ "	8"
2½"	3-9/32"	6-9/16"	7 ³ / ₈ "	8 ¹ / ₈ "



Angled Ball Drip Valves

Features:

- seals automatically under pressure
- installed horizontally, the ball seats at approximately **8-10 PSI**
- working pressure: **175 PSI at 70°F (21°C)**

Male NPT	Male NPT	Brass	
		Part #	Price/E
½"	½"	ASBDV50	\$161.00
¾"	¾"	ASBDV75	161.00



Straight Ball Drip Valves

Application:

- designed to drain the low point of a system

Features:

- place valve between a fire department connection and a swing check valve
- seals automatically under pressure
- install horizontally
- working pressure: **175 PSI at 70°F (21°C)**

Male NPT	Male NPT	Brass	
		Part #	Price/E
½"	½"	SBDV50	\$26.60
¾"	¾"	SBDV75	30.00






Factory Set Pressure Reducing Brass Angle Valves

Valves

Features:

- true combination shut-off and pressure reducing valves
- 1½" reduces inlet pressure of 300 PSI (2069 kPa) or less to working pressures of **10** through **175 PSI** (69-1207 kPa); 2½" reduces inlet pressures of 400 PSI (2758 kPa) or less to working pressures of **20** through **175 PSI** (138-1207 kPa) under discharge or static conditions
- female x female valves have an open / closed indicator bonnet for confirmation of status
- tamper resistant and automatic
- available with a tamper proof switch
- all debris must be flushed from the system prior to being placed into service 
- complete switch, bracket and housing available for field mounting, consult Dixon® for price and availability
- other configurations are available, contact Dixon® for additional information

Specifications:

- UL listed for Automatic Sprinkler Systems as floor or zone control valves
- Standpipe Systems, Class I, II and III
- Automatic Check Valve for Dual Riser Systems
- Approved by New York City Board of Standards and Appeals, approval # MEA 54-07-E
- Approved by City of Los Angeles and the City of San Francisco (ULC 2½")



Female x Male

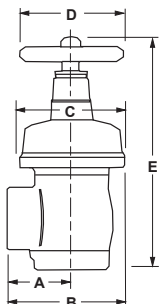
Inlet Female NPT	Outlet Male NST (NH)	Cast Brass	
		Part #	Price/E
1½"	1½"	NAPRAV150F-15	\$720.00
		NAPRAV150F-20	720.00
		NAPRAV150F-25	720.00
		NAPRAV150F-30	720.00
		NAPRAV150F-35	720.00
2½"	2½"	NAPRAV250F-55	940.00
		NAPRAV250F-60	940.00
		NAPRAV250F-65	940.00
		NAPRAV250F-70	940.00
		NAPRAV250F-75	940.00
		NAPRAV250F-80	940.00



Female x Female

Inlet Female NPT	Outlet Female NPT	Cast Brass	
		Part #	Price/E
1½"	1½"	NAPRAVF150-15	\$720.00
		NAPRAVF150-20	720.00
		NAPRAVF150-25	720.00
		NAPRAVF150-30	720.00
		NAPRAVF150-50	720.00
2½"	2½"	NAPRAVF250-55	940.00
		NAPRAVF250-60	940.00
		NAPRAVF250-65	940.00
		NAPRAVF250-70	940.00
		NAPRAVF250-75	940.00
		NAPRAVF250-80	940.00

Dimensions



Size	A	B	C	D	E closed	E open
1½"	2-7/32"	4-5/32"	3 7/8"	3 3/4"	9-25/64"	8-53/64"
2½"	3-7/32"	6-3/32"	5 3/4"	5 3/4"	11 3/8"	10-13/16"



Factory Set Pressure Reducing Brass Standard Globe Valve



Female x Female

Inlet Female NPT	Outlet Female NPT	Cast Brass	
		Part #	Price/E
2½"	2½"	<i>NAPRVF250-55</i>	\$940.00
		<i>NAPRVF250-60</i>	940.00
		<i>NAPRVF250-65</i>	940.00
		<i>NAPRVF250-70</i>	940.00
		<i>NAPRVF250-75</i>	940.00
		<i>NAPRVF250-80</i>	940.00



Valves

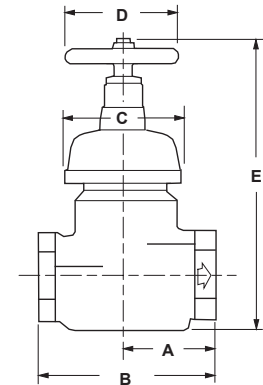
Grooved x Grooved

Inlet Grooved	Outlet Grooved	Cast Brass	
		Part #	Price/E
2½"	2½"	<i>NAPRVGT250-55</i>	\$1181.10
		<i>NAPRVGT250-60</i>	1181.10
		<i>NAPRVGT250-65</i>	1181.10
		<i>NAPRVGT250-70</i>	1181.10
		<i>NAPRVGT250-75</i>	1181.10
		<i>NAPRVGT250-75</i>	1181.10



Dimensions

Size	Style	A	B	C	D	E closed	E open
2½"	NPT	3⅞"	7¾"	5¾"	5¾"	12¾"	12-13/16"
2½"	grooved	4⅞"	8¾"	5¾"	5¾"	12¾"	12-13/16"



Accessories

Description	Part #	Price/E
2½" tamper switch bracket kit (bonnet, nut, switch, bracket)	4201901587	\$307.40
switch bracket only	18-458-00017	52.95
replacement handles for 1½" valves	AV150-W	17.45
replacement handles for 2½" valves	46-030-00025	26.00





Factory Set Pressure Reducing (regulating) Valves

Features:

- (4) drilled and tapped bosses:
 - two on each side for upstream and downstream pressure monitoring
 - saves installation time and provides a cleaner appearance
- 2½" size reduces inlet pressures of **400 PSI** (2758 kPa) or less to desired working pressures from **20** through **175 PSI** (138-1207 kPa) under discharge or static conditions
- UL listed
- tamper switch available

Valves



angle grooved x grooved

Inlet Grooved	Outlet Grooved	Cast Brass	
		Part #	Price/E
2½"	2½"	NAPRAVGT250-55	\$1181.10
		NAPRAVGT250-60	1181.10
		NAPRAVGT250-65	1181.10
		NAPRAVGT250-70	1181.10
		NAPRAVGT250-75	1181.10
		NAPRAVGT250-80	1181.10
		NAPRAVGT250-85	1181.10
		NAPRAVGT250-95	1181.10

angle grooved x female



Inlet Grooved	Outlet Female NPT	Cast Brass	
		Part #	Price/E
2½"	2½"	NAPRAVGFT250-55	\$1181.10
		NAPRAVGFT250-60	1181.10
		NAPRAVGFT250-65	1181.10
		NAPRAVGFT250-70	1181.10
		NAPRAVGFT250-75	1181.10
		NAPRAVGFT250-80	1181.10
		NAPRAVGFT250-85	1181.10
		NAPRAVGFT250-95	1181.10

globe female x female



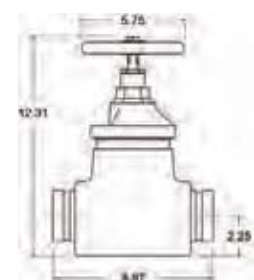
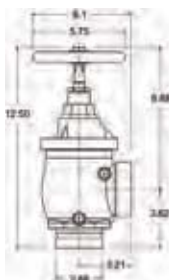
Inlet Female NPT	Outlet Female NPT	Cast Brass	
		Part #	Price/E
2½"	2½"	NAPRVFT250-55	\$1181.10
		NAPRVFT250-60	1181.10
		NAPRVFT250-65	1181.10
		NAPRVFT250-70	1181.10
		NAPRVFT250-75	1181.10
		NAPRVFT250-80	1181.10
		NAPRVFT250-85	1181.10
		NAPRVFT250-95	1181.10

globe grooved x grooved



Inlet Grooved	Outlet Grooved	Cast Brass	
		Part #	Price/E
2½"	2½"	NAPRVGT250-55	\$1181.10
		NAPRVGT250-60	1181.10
		NAPRVGT250-65	1181.10
		NAPRVGT250-70	1181.10
		NAPRVGT250-75	1181.10
		NAPRVGT250-80	1181.10
		NAPRVGT250-85	1181.10
		NAPRVGT250-95	1181.10

Dimensions



Field Adjustable Pressure Reducing Valves



Features:

- UL listed
- allows flexibility during installation with the ability to adjust settings once installed as hydraulic conditions change
- used in applications where the inlet pressure is greater than **175 PSI**
- ¼" NPT gauge ports - both sides, drilled and tapped standard
- ⅜" adjusting rod included



uses ⅜" rod:
<30 ft lbs required to adjust

Valves

angle valves

Inlet	Outlet	Cast Brass	
		Part #	Price/E
2½" FNPT	2½" MNST	FAPRAV250F	\$1820.55
2½" FNPT	2½" FNPT	FAPRAVF250	1820.55
2½" groove	2½" MNST	FAPRAVG250F	1820.55
2½" groove	2½" groove	FAPRAVG250G	1820.55



straight valves

Inlet	Outlet	Cast Brass	
		Part #	Price/E
2½" groove	2½" groove	FAPRVG250	\$1820.55
2½" FNPT	2½" FNPT	FAPRVF250	1820.55



Replacement Parts

Description	Cast Iron	
	Part #	Price/E
handwheel	46-030-00025	\$26.00



Setting Instructions:

1. Determine desired outlet pressure for known inlet pressure.
2. Remove the tamper-resistant screw and slide the plastic cover up to access the adjusting nut.
3. Use a ⅜" diameter rod in any one of the 6 holes in the adjusting nut and rotate counter clockwise to increase the pressure at the outlet.
4. Check valve under pressure under static and under the anticipated flowing conditions to ascertain that the setting produces the expected results.

Adjustable Pressure Restricting Devices



Features:

- for installation on Class I or Class III standpipe system hose outlets
- device restricts pressure in the piping system to such a degree that hose lines can be handled by persons untrained in the handling of heavy fire streams
- New York City Board of Standards and Appeals, approval # MEA 54-07-E
- 2½" UL listed
- working pressure: **175 PSI at 70°F (21°C)**



Female Thread	Male Thread	Cast Brass	
		Part #	Price/E
1½" NST (NH)	1½" NST (NH)	APRD150F	\$350.00
2½" NST (NH)	2½" NST (NH)	APRD250F	397.00



Domestic Adjustable Pressure Restricting Angle Valves

Valves



Application:

- used where flowing water pressure needs to be controlled

Features:

- preset orifices restrict the volume of water thereby lowering the pressure of the flowing water; NFPA requires restricting valves where inlet pressure exceeds 100 PSI
- restricting valve has no effect on the static pressure of a system
- can be manually by-passed if required by opening the valve fully, this is accomplished by breaking the breakable link, which allows the valve stem to rise to the full open position
- breakable link also serves as an indication of valve condition and status; if valve is opened without breaking the link it will resume its previous position and no resetting is necessary
- restricts inlet pressure from 70 PSI up to a maximum of 175 PSI
- restricts down to outlet pressures of 65, 80 or 100 PSI, outlet pressures may be set below 65 PSI when authorized by the local authority having jurisdiction
- restricts only under flow conditions
- setting charts are packed with valve
- UL listed
- New York City Board of Standards and Appeals, approval # MEA 54-07-E
- maximum operating pressure: up to **175 PSI**
- aluminum handwheel
- other configurations are available, contact Dixon® for additional information

female x male

Inlet Female NPT	Outlet Male NST (NH)	Cast Brass	
		Part #	Price/E
1½"	1½"	AVAPR150F	\$568.95
2½"	2½"	AVAPR250F	802.85

female x female

Inlet Female NPT	Outlet Female NPT	Cast Brass	
		Part #	Price/E
1½"	1½"	AVAPRF150	\$576.70
2½"	2½"	AVAPRF250	787.40



Global Adjustable Pressure Restricting Angle Valves



Application:

- used when flowing water pressure needs to be controlled

Features:

- preset orifices restrict the volume of water thereby lowering the pressure of the flowing water; NFPA requires restricting valves where inlet pressure exceeds 100 PSI
- restricting valve has no effect on the static pressure of a system
- restricting device can be manually by passed if required by opening the valve fully: pull the pin allowing the yoke to fall back from the valve stem which allows valve to be fully opened, when valve needs to be restricted again, slide the yoke back into place to be NFPA compliant

female x male

Inlet Female NPT	Outlet Male NST (NH)	Cast Brass	
		Part #	Price/E
1½"	1½"	AVAPR150F-I	\$126.70
2½"	2½"	AVAPR250F-I	268.35

female x female

Inlet Female NPT	Outlet Female NPT	Cast Brass	
		Part #	Price/E
1½"	1½"	AVAPRF150-I	\$126.70
2½"	2½"	AVAPRF250-I	268.35



Back Flow Preventer



Features:

- provides maximum protection against backflow caused by back-pressure or back-siphonage from a cross-connection wherein a contaminant hazard exists
- consists of two spring-loaded poppet type check valves and a mechanically independent, hydraulically dependent pressure differential relief valve
- three top mounted test cocks ensure easy access during repair and maintenance
- working pressure: to **175 PSIG**
- temperature range: **33°F to 180°F (.5°C to 82°C)**
- meets Foundation for Cross Connection Control and Hydraulic Research at University of Southern California Manual Section 10, ASSE 1015, AWWA C-510 and CSA B64.4 specifications
- UL listed and FM approved
- create a Fire Hydrant Backflow Preventer by using the **RSMSA25F20T** (page J-93) and the **DMH2025F** (page J-95)



Valves

NPT Thread	Brass	
	Part #	Price/E
2"	BFP200	\$1793.75

Groove x Groove Check Valves



Applications:

- Used in Fire Protection Systems to allow water flow in one direction only. Typical applications include: connections between public water supplies and private fire services systems, discharges from fire pumps, gravity tank connections and fire department pumper connections

Features:

- supplied with ¼" and ½" tapped NPT ports below the clapper and ¼" tapped NPT port above the clapper
- supplied with a 1½" NPT tapped boss below the clapper, boss above the clapper may be tapped for the addition of a ½" NPT drain
- for horizontal and vertical installation
- UL listed
- maximum operating pressure: **250 PSI** working pressure at **70°F (21°C)**



Description	Brass	
	Part #	Price/E
4" groove x 4" groove	SCVV400	\$364.90

Chicago Pattern Valves

Features:

- aluminum handwheel
- maximum operating pressure: **175 PSI** at **70°F (21°C)**



Inlet Male NPT	Outlet Male	Cast Brass	
		Part #	Price/E
1½"	1½" NST (NH)	CPV150F	\$363.65



Sprinkler Hose Valve



Features:

- aluminum wheel
- UL listed and FM approved for automatic sprinkler and standpipe systems
- working pressure: **175 PSI** (water only) at **70°F (21°C)**

Inlet Male NPT	Outlet Male NST (NH)	Cast Brass	
		Part #	Price/E
1"	1½"	ASHV1015F	\$373.25

Push Pull Drain Valve



Features:

- direct mount
- 2½" handle length

Inlet	Outlet	Brass	
		Part #	Price/E
¾" FNPT	¾" FNPT	PPDV75	\$88.00

Automatic Drain Vent Valve



Features:

- attaches to the hose end of a hose rack nipple keeping the hose free of moisture by draining water from a leaky valve; when the valve is opened for use a spring valve closes the drain and directs all water through the hose
- other threads and finishes are available, consult Dixon® for more information

Female NST (NH)	Male NST (NH)	Working Pressure (PSI)	Cast Brass	
			Part #	Price/E
1½"	1½"	175	ADV150F	\$427.45



Piston Intake Relief Valves

Features:

- standard with a 30° elbow (permitting smoother water flow), adjustable relief valve, retractable knob on hand wheel and air bleed off
- permits safe controlled flow to the intake pump and can also be used to draft
- 9 easy turns open and close the valve
- **280 PSI at 70°F (21°C)**, without relief valve
- 4½" minimum waterway
- finish anodized throughout - minimum thickness 0.001"
- relief valve - double spring, cartridge type, adjustable from **50 to 200 PSI**

Storz x Female Swivel

Storz	Female Swivel NST (NH)	Length	Width	Height	Aluminum Alloy, 356-T6	
					Part #	Price/E
4"	4"	12"	8"	17"	FSGR440F	\$3951.85
	4½"	12"	8"	17"	FSGR445F	3951.85
	5"	12"	8"	17"	FSGR450F	3951.85
	6"	12"	8"	17"	FSGR460F	3951.85
5"	4"	12"	8"	17"	FSGR540F	3951.85
	5"	12"	8"	17"	FSGR550F	3951.85
	6"	12"	8"	17"	FSGR560F	3951.85



Female Swivel x Male

Male NST (NH)	(2)Female NST (NH) Swivel	Length	Width	Height	Aluminum Alloy, 356-T6	
					Part #	Price/E
4"	4"	12"	8"	17"	FMGR40F40F	\$3951.85
	4½"	12"	8"	17"	FMGR40F45F	2863.65
	5"	12"	8"	17"	FMGR40F50F	2863.65
	6"	12"	8"	17"	FMGR40F60F	3951.85
4½"	4"	12"	8"	17"	FMGR45F40F	3951.85
	4½"	12"	8"	17"	FMGR45F45F	3951.85
	5"	12"	8"	17"	FMGR45F50F	2863.65
	6"	12"	8"	17"	FMGR45F60F	3951.85
5"	4"	12"	8"	17"	FMGR50F40F	2978.20
	4½"	12"	8"	17"	FMGR50F45F	2978.20
	5"	12"	8"	17"	FMGR50F50F	3951.85
	6"	12"	8"	17"	FMGR50F60F	3951.85
6"	6"	12"	8"	17"	FMGR60F60F	3951.85



Replacement Parts

Description	Part #	Price/E
handwheel and knob	PV-HDWHL	\$255.00
knob only	PV-KNOB	177.75



P D L

Butterfly Valves

Storz x Female Swivel

Features:

- permits safe controlled flow to the intake pump, can be used for draft situations
- pressure range: **150-300 PSI** working pressure at **70°F (21°C)**
- water way: 4½", 5", and 6" maximum
- materials: body-ASTN A-126 cast iron, wafer-lightweight aluminum cast 356-T6, , seat - Buna
- ¾" push-pull drain valve
- standard 10-position locking style lever
- finish anodized cast aluminum bolt flanges - minimum thickness 0.001"
- lever handle to center valve is 10¼"
- can be used in either direction (e.g. inlet/outlet)

Valves



Storz	Female NST (NH) Swivel	Length	Width	Height	ASTN A-126 Cast Iron	
					Part #	Price/E
4"	4"	9½"	11"	18"	SFBTFLY4040F	\$3234.80
	4½"	9½"	11"	18"	SFBTFLY4045F	3055.40
	5"	9½"	11"	18"	SFBTFLY4050F	3109.35
	6"	9½"	11"	18"	SFBTFLY4060F	2980.70
5"	4"	9½"	11"	18"	SFBTFLY5040F	3115.00
	4½"	9½"	11"	18"	SFBTFLY5045F	2945.00
	5"	9½"	11"	18"	SFBTFLY5050F	2997.10
	6"	9½"	11"	18"	SFBTFLY5060F	2868.50
6"	6"	9½"	13"	18"	SFBTFLY6060F	3016.40

L/H - Male x Female Swivel

Features:

- permits safe controlled flow to the intake pump, can be used for draft situations
- standard 10 position lever handle
- ¾" push-pull drain valve standard
- pressure range: **150-300 PSI** at **70°F (21°C)**
- water way: 4½", 5", and 6" maximum
- seat: Buna
- finish: anodized cast aluminum bolt flanges (minimum thickness 0.001")
- lever handle to center valve is 10¼", unit can be used in either direction e.g. inlet/outlet



Male NST (NH)	Female NST (NH) Swivel	Length	Width	Height	ASTN A-126 Cast Iron	
					Part #	Price/E
4"	4"	9½"	11"	18"	FMBTFLY40F40F	\$1920.50
4"	4½"	9½"	11"	18"	FMBTFLY40F45F	1920.50
4"	6"	9½"	11"	18"	FMBTFLY40F60F	2839.05
4½"	4½"	9½"	11"	18"	FMBTFLY45F45F	2561.65
5"	4½"	9½"	11"	18"	FMBTFLY50F45F	2809.40
5"	5"	9½"	11"	18"	FMBTFLY50F50F	2879.35
5"	6"	9½"	11"	18"	FMBTFLY50F60F	2731.05
6"	6"	9½"	13"	18"	FMBTFLY60F60F	2552.15

Single Clapper Siamese Connections

Features:

- single swing clapper with (2) pin lug swivel inlets
- provides 500 GPM minimum to supplement the fire protection as an auxiliary inlet connection to the water supply (250 GPM minimum per inlet)
- design provides unobstructed waterway
- exposed Fire Department Connections (FDC) provide an economical method of satisfying local fire codes
- branding: Auto-Spkr
- finishes: -P polished or -C polished chrome plated
- maximum operating pressure: **250 PSI** at **70°F (21°C)**
- replacement swivels can be ordered on page J-106

back outlet

Feature:

- UL listed and FM approved

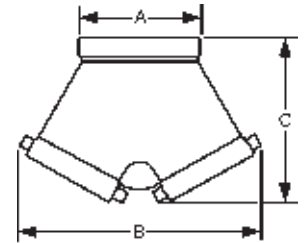
Outlet Female NPT Thread	(2) Inlets Female Thread	Cast Brass	
		Part #	Price/E
4"	2½" NST (NH)	SCS4025F	\$539.25
4"	2½" NST (NH)	ISCS4025F ¹	224.25

¹ imported

Dimensions

Size	A	B	C
4" x 2½" x 2½"	5⅞"	9"	6-1/16"

- dimensions match SCS4025F and SCS4025NYFD



bottom outlet

Feature:

- UL listed

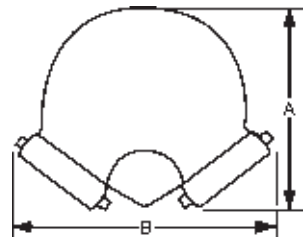
Outlet Female NPT Thread	(2) Inlets Female Thread	Cast Brass	
		Part #	Price/E
4"	2½" NST (NH)	90SCS4025F	\$657.20
4"	2½" NST (NH)	90ISCS4025F ¹	239.40

¹ imported

Dimensions

Size	A	B
4" x 2½" x 2½"	6⅞"	9⅞"

- dimensions match 90SCS4025F, and 90SCS4025NYFD





Double Clapper Siamese Connections

Features:

- double drop clapper with (2) pin lug swivel inlets provides required 500 GPM minimum to supplement the fire protection as an auxiliary inlet connection to the water supply (250 GPM minimum per inlet)
- exposed Fire Department Connections (FDC) provide an economical method of satisfying local fire codes
- maximum operating pressure: **175 PSI at 70°F (21°C)**
- finish: -P polished or -C polished chrome plated
- UL listed and FM approved

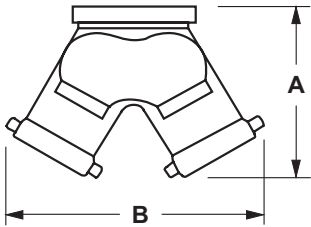
Valves



back outlet

Outlet Female NPT Thread	(2) Inlets Female Thread	Branding	Cast Brass	
			Part #	Price/E
4"	2½" NST(NH)	AutoSprinkler	DCS4025F	\$855.70
		AutoSprinkler	DCS4025F-P	969.70
		AutoSprinkler	DCS4025F-C	1036.40
	3" NST(NH) 3" NYFD	StandPipe	DCS4025F-SP	855.70
		No Branding	DCS4025F-NB	855.70
		AutoSprinkler	DCS4030F	878.80
6"	2½" NST(NH) 2½" NST(NH)	AutoSprinkler	DCS4030NYFD	878.80
		StandPipe	DCS6025F	1018.50
			DCS6025F-SP	1018.50

Dimensions



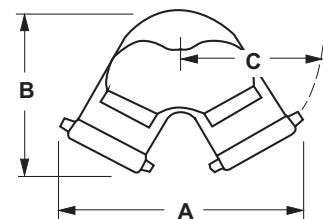
Size	A	B
4" x 2½" x 2½"	9⅝"	12¼"
6" x 2½" x 2½"	10¼"	11¾"
4" x 3" x 3"	10"	12½"
6" x 3" x 3"	10⅝"	12½"

bottom outlet



Outlet Female NPT Thread	(2) Inlets Female Thread	Branding	Cast Brass	
			Part #	Price/E
4"	2½" NST(NH)	AutoSprinkler	90DCS4025F	\$847.10
		AutoSprinkler	90DCS4025F-P	968.35
		AutoSprinkler	90DCS4025F-C	998.65
	3" NST(NH) 3" NYFD	StandPipe	90DCS4025F-SP	847.10
		No Branding	90DCS4025F-NB	847.10
		AutoSprinkler	90DCS4030F	940.00
6"	2½" NST(NH) 3" NYFD	AutoSprinkler	90DCS4030NYFD	940.00
		StandPipe	90DCS4030NYFDSP	940.00
		AutoSprinkler	90DCS6025F	892.20
		StandPipe	90DCS6025F-SP	892.20
		AutoSprinkler	90DCS6030NYFD	2072.35

Dimensions



Size	A	B	C
4" x 2½" x 2½"	11¾"	9⅝"	7¼"
6" x 2½" x 2½"	11¾"	10¼"	7¼"
4" x 3" x 3"	12½"	10⅝"	7½"
6" x 3" x 3"	12¼"	10⅝"	7¼"

- special threads, branding and finishes are available, consult Dixon® for information
- replacement swivels can be ordered on page J-106



Triple Clapper Siamese Connections

Features:

- branding: see below
- finishes: -P polished or -C polished chrome plated
- maximum operating pressure: **175 PSI at 70°F (21°C)**

back outlet

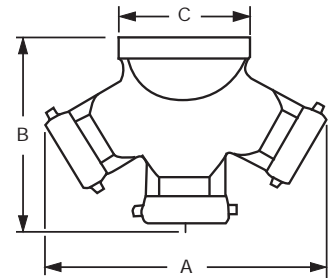
Outlet Female NPT Thread	(3) Inlets Female NST (NH) Thread	Branding	Cast Brass	
			Part #	Price/E
4"	2½"	AutoSprinkler	TCS4025F	\$1833.40
		StandPipe	TCS4025F-SP	1833.40
		No Branding	TCS4025F-NB	1833.40
6"	2½"	AutoSprinkler	TCS6025F	2433.85
		StandPipe	TCS6025F-SP	2433.10
		No Branding	TCS6025F-NB	2176.00



Valves

Dimensions

Size	A	B	C
4" x 2½" x 2½" x 2½"	13¾"	10½"	5"
6" x 2½" x 2½" x 2½"	13¾"	10½"	7½"



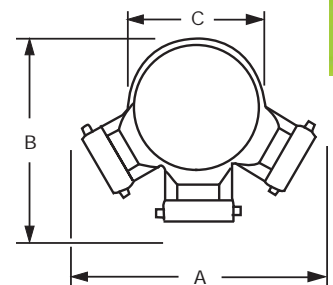
bottom outlet

Outlet Female NPT Thread	(3) Inlets Female NST (NH) Thread	Branding	Cast Brass	
			Part #	Price/E
4"	2½"	AutoSprinkler	90TCS4025F	\$2927.95
		No Branding	90TCS4025F-NB	2927.95
6"	2½"	AutoSprinkler	90TCS6025F	2788.65
		No Branding	90TCS6025F-NB	2788.65



Dimensions

Size	A	B	C
4" x 2½" x 2½" x 2½"	14½"	11½"	7⅝"
6" x 2½" x 2½" x 2½"	14½"	11½"	7⅝"



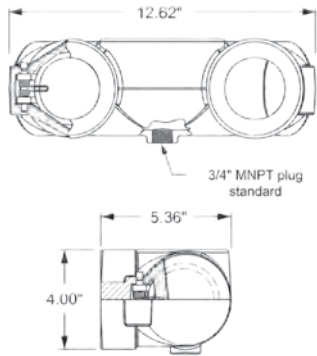
- special threads, branding and finishes are available, consult Dixon® for information
- replacement swivels can be ordered on page J-106



Reversible Concealed Angle **Siamese Body**



Valves



Features:

- fully reversible with a perpendicular trunnion allowing one body to be installed for top and bottom connections
- UL listed
- approved by New York City Board of Standards and Appeals
- maximum operating pressure: **250 PSI at 70°F (21°C)**
- bodies require wall plate **WP2** see page I-59

Outlet Female NPT Thread	(2) Inlets Female NPT Thread	Part #	Brass Price/E
4"	2½"	4025REV90	\$844.35
4"	3"	4030REV90	766.70

Reversible Concealed Angle **Siamese Body**

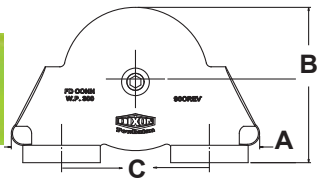
Features:

- fully reversible with a perpendicular trunnion allowing one body to be installed for top and bottom connections
- replaces 23-391 bodies
- maximum operating pressure: **250 PSI at 70°F (21°C)**



Outlet Female NPT Thread	(2) Inlets Female NPT Thread	Part #	Brass Price/E
5"	2½"	90CREV5025	\$1321.00
5"	3"	90CREV5030	1575.00
6"	2½"	90CREV6025	1321.00
6"	3"	90CREV6030	1321.00

Dimensions



Size	A	B	C
5" x 3" x 3"	12"	9½"	7⅝"
6" x 2½" x 2½"	12"	7¼"	7⅝"
6" x 3" x 3"	12"	9½"	7⅝"

Concealed Two Way Wall Hydrant Body



Features:

- provides 500 GPM minimums at 250 GPM per inlet (ref NFPA 14)
- drop clappers provide unobstructed waterway
- flush design is desirable when appearance is a factor
- UL listed
- double clapper
- 7⁵/₈" center-line
- bodies require wall plate **WP2** (24-385), see page I-59

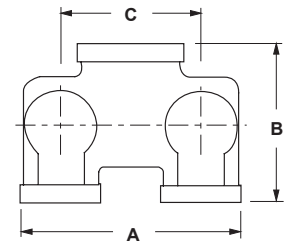
back outlet

Outlet Female NPT Thread	(2) Inlets Female NPT Thread	Brass	
		Part #	Price/E
4"	2½"	CDMHCB40225	\$803.95
4"	3"	CDMHCB40230	1135.95
5"	3"	CDMHCB50230	2190.95
6"	2½"	CDMHCB60225	918.70
6"	3"	CDMHCB60230	2909.15



Dimensions

Size	A	B	C
4" x 2½" x 2½"	11-1/8"	6"	7 ⁵ / ₈ "
4" x 3" x 3"	12-1/4"	8-1/8"	7 ⁵ / ₈ "
5" x 3" x 3"	11-13/16"	7-5/16"	7 ⁵ / ₈ "
6" x 2½" x 2½"	11-1/8"	7-3/8"	7 ⁵ / ₈ "
6" x 3" x 3"	12-1/4"	8-1/4"	7 ⁵ / ₈ "



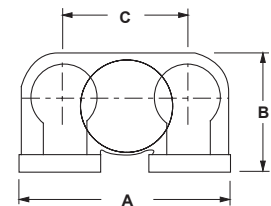
bottom outlet

Outlet Female NPT Thread	(2) Inlets Female NPT Thread	Brass	
		Part #	Price/E
5"	3"	90CDMHCB50230	\$3276.20
6"	2½"	90CDMHCB60225	3089.10
6"	3"	90CDMHCB60230	3087.20



Dimensions

Size	A	B	C
5" x 3" x 3"	12"	9½"	7 ⁵ / ₈ "
6" x 2½" x 2½"	12"	7¼"	7 ⁵ / ₈ "
6" x 3" x 3"	12"	9½"	7 ⁵ / ₈ "



Spring Check Type Snoots - Pin Lug

Valves

Features:

- finishes: -P polished, -C polished chrome plated
- other configurations are also available, consult Dixon® for information
- maximum operating pressure: **175 PSI at 70°F (21°C)**

female outlet

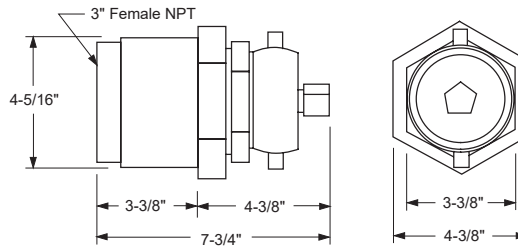
Features:

- female NPT rigid with hexagon by female hose thread to swivel
- connections are attached to the bodies with pipe nipples (not included)



Outlet Female NPT Thread	Inlet Female NST (NH) Thread	Cast Brass	
		Part #	Price/E
3"	2½"	CSSTF25F30T-P	\$490.35
3"	2½"	CSSTF25F30T-C	630.95
3"	3"	CSSTF30F30T-P	542.45

Dimensions



male outlet

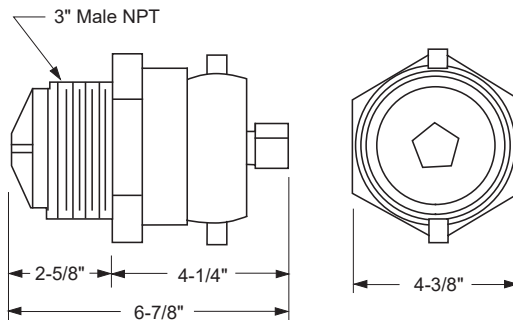
Features:

- finishes: -P polished, -C polished chrome plated
- male NPT x 2½" female hose thread to swivel
- used when a direct connection to bodies is desired



Outlet Male NPT Thread	Inlet Female NST (NH) Thread	Cast Brass	
		Part #	Price/E
3"	2½"	CSSTM25F30T-P	\$527.20
	2½"	CSSTM25F30T-C	567.65
	3"	CSSTM30F30T-P	534.75
	3"	CSSTM30F30T-C	567.55

Dimensions



- Under no circumstances should a check snoot be installed directly into a pipe, as this may prevent the snoot from opening. Install directly into the appropriate standpipe body only.



Clapper Type Snoots - Pin Lug



Features:

- finishes: -P polished, -C polished chrome plated
- other sizes and threads are available, consult Dixon® for information

Outlet Female NPT Thread	Inlet Female NST (NH) Thread	Cast Brass	
		Part #	Price/E
3"	2½"	CSCTF25F30T-P	\$270.05
3"	2½"	CSCTF25F30T-C	282.40

Outlet Male NPT	Inlet Female NST (NH)	Cast Brass	
		Part #	Price/E
3"	2½"	CSCTM25F30T-P	\$270.05
3"	2½"	CSCTM25F30T-C	282.40



Valves

Wall Plate for Double Clapper Siamese Assemblies

Features:

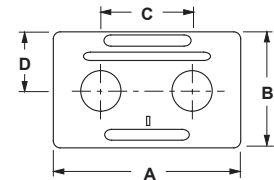
- finishes: -P polished, -C polished chrome plated
- 4-hole and 6-hole wall plates available, consult Dixon® for information

Hole Size	Branding	Brass	
		Part #	Price/E
3⅜"	AutoSprinkler	WP2HAS-P	\$240.90
	AutoSprinkler	WP2HAS-C	287.15
	StandPipe	WP2HSP-P	240.90
	StandPipe	WP2HSP-C	287.15
	AutoSprinkler StandPipe Combo	WP2H-ASSP-P	240.90
	AutoSprinkler StandPipe Combo	WP2H-ASSP-C	287.15
	Hydrant	WP2H-HY-P	240.95
	PumpTest	WP2H-PT-P	240.90
PumpTest	WP2H-PT-C	287.15	



Dimensions

Hole Size	A	B	C	D
3⅜"	14"	8"	7⅝"	4-15/16"



Wall Plate for Concealed Three Way Bodies

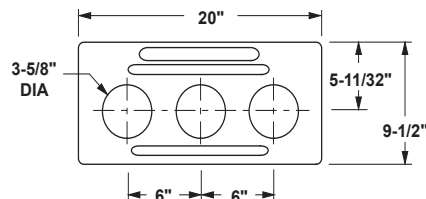
Features:

- finishes: -P polished, -C polished chrome plated
- 4-hole and 6-hole wall plates available, consult Dixon® for information

Hole Size	Positioned	Branding	Brass	
			Part #	Price/E
3⅜"	Horizontal	AutoSprinkler	WP3HAS-P	\$377.30
	Horizontal	AutoSprinkler	WP3HAS-C	446.10
	Horizontal	StandPipe	WP3HSP-P	377.30
	Horizontal	StandPipe	WP3HSP-C	446.10



Dimensions



ULC UL FM Double Clapper Concealed Type Siamese Assemblies

Valves



Features:

- fully reversible with a perpendicular trunnion allowing one body to be installed for top and bottom connections
- branded: 'standpipe', 'auto-sprkr', 'auto-sprkr.-standpipe'
- finishes: -P polished or -C polished chrome plated
- maximum operating pressure: **250 PSI**
- complete unit consisting of the following six parts: (1) 4025REV90, or 4030REV90, or 90CREV6025, (1) 24-385 plate, (2) 23-270 double female connections, (2) 17-127 plugs with chains

Outlet Female NPT Thread	(2) Inlets Female NST (NH) Thread	Branding	Cast Brass	
			Part #	Price/E
4"	2½"	AutoSprinkler	2WCA4025F-P	\$1494.45
4"	2½"	StandPipe	2WCA4025F-SP-P	1494.45
4"	2½"	AutoSprinkler	2WCA4025F-C	1564.00
4"	2½"	StandPipe	2WCA4025F-SP-C	1564.00
4"	3"	AutoSprinkler	2WCA4030F-P	1897.85
6"	2½"	AutoSprinkler	2WCA6025F-P	1971.10
6"	2½"	StandPipe	2WCA6025F-SP-P	1971.10
6"	2½"	AutoSprinkler	2WCA6025F-C	2040.65
6"	2½"	StandPipe	2WCA6025F-SP-C	2040.65

• other branding and finishes are also available, consult Dixon® for information

ULC UL FM

Two Way Sidewalk Siamese Assemblies

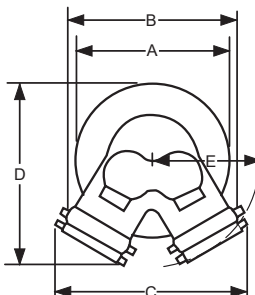
Features:

- UL listed, FM approved
- finishes: -P polished or -C polished chrome plated
- complete unit consists of: (1) 21-133 90° Siamese body, double clapper, (2) 17-127 pin lug plugs with chains, (1) 23-404 sleeve, (1) 24-405 escutcheon plate



Outlet Female NPT Thread	(2) Inlets Female Thread	Cast Brass	
		Part #	Price/E
4"	2½"	2WSA4025F	\$1729.65
4"	2½"	2WSA4025F-SP	1729.65
6"	2½"	2WSA6025F	1824.35
6"	2½"	2WSA6025F-SP	1824.35

Dimensions



Size	A	B	C	E	F
4" x 2½" x 2½"	9¼"	10⅜"	10¾"	10⅝"	6⅝"
6" x 2½" x 2½"	11¼"	10½"	11¾"	13"	7¼"

Note: some components UL listed/FM approved, not entire assembly

Single Inlet Residential Sprinkler Connections

Application:

- complete single inlet connection (exposed type) used on residential automatic sprinkler systems

Features:

- complete unit consists of: (1) 17-127 1½" pin lug plug with chain and (1) 24-209 4-7/16" OD round escutcheon plate with swivel

Inlet Female NST (NH) Thread	Outlet Female NPT Thread	Cast Brass	
		Part #	Price/E
1½"	1½"	RIC150F	\$77.70



Valves

Single Inlet Connections

Features:

- provides a complete exposed single inlet connection
- finish: -P polished or -C polished chrome plated
- complete unit consists of: (1) 24-209 round plate branded Auto Sprinkler, (1) 23-270 double female or 09-215 male and female connection, (1) 17-127 pin lug plug with chain
- rigid hexagon end of either connection is 2½" NPT
- swivel end

Inlet Female NST (NH) Thread	Outlet Female NPT Thread	Brass	
		Part #	Price/E
2½"	2½"	SIC250F	\$256.00
2½"	2½"	SIC250F-P	268.30
2½"	2½"	SIC250F-C	327.85



Single Hydrant Connections

Features:

- finish: -P polished or -C polished chrome plated
- complete unit consists of: (1) 24-209 round plate branded 'Wall Hydrant', (1) 23-272: 2½" female and male connection, (1) 17-126 cap with chain

Inlet Female NPT Thread	Outlet Male NST (NH) Thread	Cast Brass	
		Part #	Price/E
2½"	2½"	MOCA250F	\$272.00



Exposed Two Way Wall Hydrants

Features:

- finish: -P polished or -C polished chrome plated
- DMOCA40225F consists of: (1) REP400HY round plate branded 'Wall Hydrant', (1) FRC4025F: 2½" female and male connection, (2) FC250F cap with chain
- DMOCA60225F consists of: (1) REP600HY round plate branded 'Wall Hydrant', (1) FRC6025F: 2½" female and male connection, (2) FC250F cap with chain

Inlet Female NPT Thread	(2) Outlets Male NST (NH) Thread	Cast Brass	
		Part #	Price/E
4"	2½"	DMOCA40225F	\$689.65
6"	2½"	DMOCA60225F	952.50



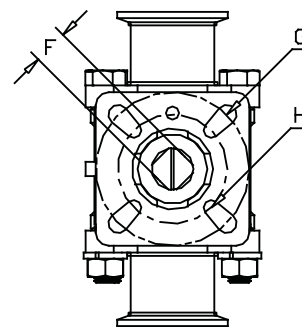
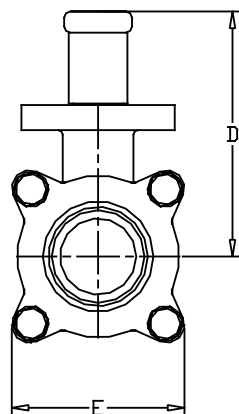
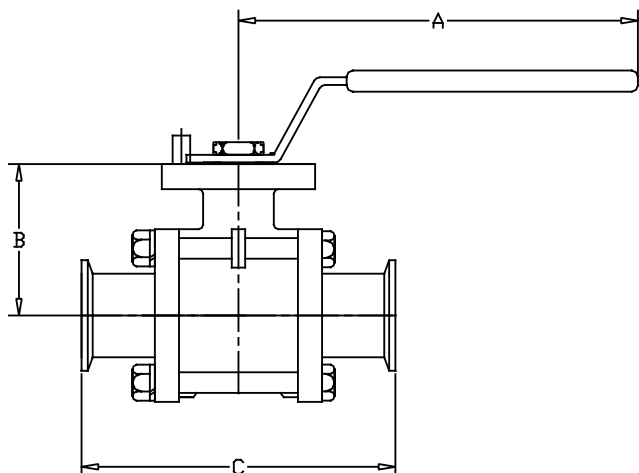
2-Way 3 Piece Encapsulated Ball Valves

Valves



Features:

- balanced encapsulated construction minimizes cold flow
- live-loaded stem packing
- precision stainless steel balls reduce torque and friction losses while extending seat life
- lockable handle can prevent accidental actuation
- standard internal entry blow out proof stem design
- full port design matches ball and seat ports to tube ID for lower pressure drop and less turbulent flow
- compact design for areas with tight space restrictions
- fully encapsulated construction produces bubble tight seal
- integral ISO 5211 mounting pad
- ID polish: Ra 32 minimum
- CF8M stainless steel body, ends and ball
- ½" - 2" rated at **1,000 PSI WOG**; 2½" - 4" rated at 800 PSI WOG
- virgin PTFE seats
- for valve seat options, call Dixon®
- identification tagging available
- repair kits available



Size	Dimensions								316 Stainless Steel	
	A	B	C	D	E	F (mm)	G	H	Part #	Price/E
½"	4.9"	1.5"	4.3"	3.0"	1.9"	9.0	F04	F03	BV2CV-050CC-A	\$165.98
¾"	4.9"	1.8"	4.7"	3.3"	2.2"	9.0	F04	F03	BV2CV-075CC-A	200.47
1"	5.6"	2.1"	4.9"	3.6"	2.4"	11.0	F05	F04	BV2CV-100CC-A	262.81
1½"	9.5"	2.7"	5.6"	4.4"	3.1"	14.0	F07	F05	BV2CV-150CC-A	443.20
2"	9.5"	3.1"	6.4"	4.8"	3.7"	14.0	F07	F05	BV2CV-200CC-A	641.13
2½"	18.0"	3.8"	7.8"	5.2"	4.8"	17.0	F10	F07	BV2CV-250CC-A	1338.79
3"	18.0"	4.2"	9.0"	5.7"	5.4"	17.0	F10	F07	BV2CV-300CC-A	1767.33
4"	18.0"	5.3"	9.5"	6.8"	8.8"	22.0	F12	F10	BV2CV-400CC-A	3036.48

Our commitment to excellence and continuous research and development for improving product quality may warrant periodic changes in design and specification. We reserve the right to modify product design without prior notification and without incurring any liability to provide these modifications to products previously purchased.

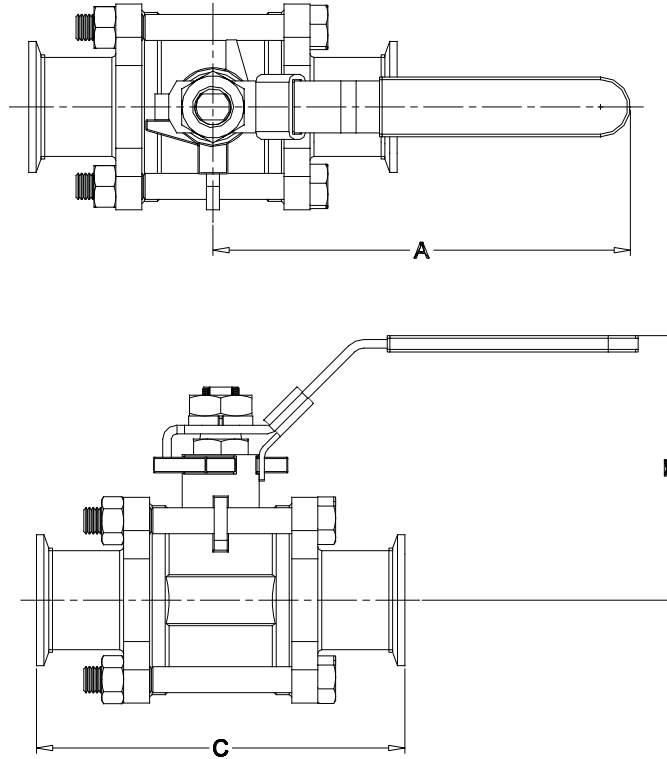
Non-Encapsulated **2-way 3 Piece Stainless Steel** Ball Valves

Features:

- blow-out proof stem
- live-loaded stem packing
- lockable handle
- 15% glass reinforced PTFE seats
- ID polish is R_a 32
- CF8M stainless body, ends and ball
- pressure ratings: ½" - 2" **1,000 PSI** WOG
2½" - 4" **800 PSI** WOG
- repair kits available
- for valve seat options, call Dixon®



Valves



Size	Dimensions			Break Torque (in-lbs.)	Weight (lbs.)	316 Stainless Steel	
	A	B	C			Part #	Price/E
½"	4.1"	2.3"	4.6"	55	1.4	BV2GG-050CC-A	\$119.94
¾"	4.1"	2.5"	4.7"	71	1.8	BV2GG-075CC-A	130.91
1"	5.0"	2.8"	4.9"	101	2.6	BV2GG-100CC-A	192.93
1½"	6.1"	3.5"	5.6"	221	4.6	BV2GG-150CC-A	326.96
2"	7.6"	3.9"	6.4"	345	8.5	BV2GG-200CC-A	492.69
2½"	7.6"	4.4"	7.8"	883	17.8	BV2GG-250CC-A	873.15
3"	10.9"	4.9"	9.0"	830	28.2	BV2GG-300CC-A	1426.38
4"	13.2"	6.6"	9.6"	1323	41.4	BV2GG-400CC-A	2554.53

Dimensions are approximate. Engineering dimensions are available upon request. Specifications are subject to change without notice.

Butterfly Valves

Features:

- available with three handle options:
 - A.** The *pull style handle* allows you to set the valve in four different positions simply by pulling and turning.
 - B.** The *infinite handle* has incremental marks on the top which can be used when needing a throttling valve.
 - C.** The *trigger handle* offers twelve positions which make it easy to understand how to actuate the valve.
- Handle is not assembled when shipped. To order with handle assembled on the valve please request assembly in the special instructions of your order.
- 100% hydraulic tested / 100% inspected
- all wetted surfaces are sanitary finished to < 32R_a
- field serviceable (no special tools required)
- various end configurations available: weld, I-line, Q-line, bevel seat and John Perry
- actuation available: double-acting, air-to-spring, electric, call Dixon® for details
- vacuum rating: 0.4 inches Hg at 68°F
- temperature range: 15°F to 200°F (-9°C to 93°C)
- clamp style is standard

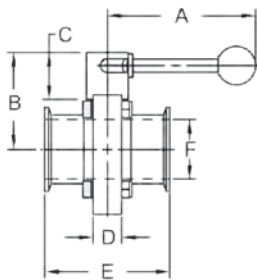
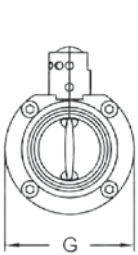
Valves



Clamp End Butterfly Valve with Pull Handle - [A]

Size	316L Stainless Steel with Silicone Seats		316L Stainless Steel with FKM Seats		316L Stainless Steel with EPDM Seats	
	Part #	Price/E	Part #	Price/E	Part #	Price/E
½"	B5101S050CC-A	\$317.53	B5101V050CC-A	\$343.34	B5101E050CC-A	\$311.80
¾"	B5101S075CC-A	317.53	B5101V075CC-A	343.34	B5101E075CC-A	311.80
1"	B5101S100CC-A	298.36	B5101V100CC-A	324.17	B5101E100CC-A	292.63
1½"	B5101S150CC-A	289.19	B5101V150CC-A	335.64	B5101E150CC-A	282.39
2"	B5101S200CC-A	356.53	B5101V200CC-A	414.04	B5101E200CC-A	345.14
2½"	B5101S250CC-A	437.31	B5101V250CC-A	564.53	B5101E250CC-A	423.71
3"	B5101S300CC-A	595.42	B5101V300CC-A	824.39	B5101E300CC-A	576.98
4" ¹	B5101S400CC-A	962.02	B5101V400CC-A	1395.72	B5101E400CC-A	900.58
6"	B5101S600CC-A	1997.86	---	---	B5101E600CC-A	2085.76
8"	---	---	---	---	B5101E800CC-A	4813.34

¹ 4" high pressure butterfly valve is available, call Dixon® for more information

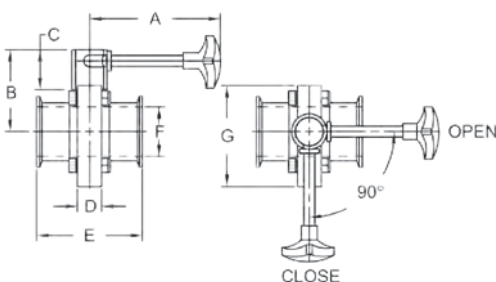


		D						PD		P
		D								68°F
		4 4	1 4			7	1		7	140
		4 4	1 4			7	1		7	140
1		4 4	1 4			7	1		7	140
1		4 4	1 4		1 4	1	1		4	140
	1	4 4	1 4		1	1	1		17	140
		4 4	1 4			4	4		7	110
		1	1	4 1		1			1	110
4	4	1	1	4		7			4	85
		11	1	1		7			1	60
		1	1	4	7	11			1	60

Clamp End Butterfly Valves with Infinite Position Handle - [B]



Size	316L Stainless Steel with Silicone Seats		316L Stainless Steel with FKM Seats		316L Stainless Steel with EPDM Seats	
	Part #	Price/E	Part #	Price/E	Part #	Price/E
½"	B5101S050CC-B	\$317.53	B5101V050CC-B	\$343.34	B5101E050CC-B	\$311.82
¾"	B5101S075CC-B	317.53	B5101V075CC-B	343.34	B5101E075CC-B	311.82
1"	B5101S100CC-B	298.36	B5101V100CC-B	324.15	B5101E100CC-B	292.61
1½"	B5101S150CC-B	289.19	B5101V150CC-B	335.64	B5101E150CC-B	282.39
2"	B5101S200CC-B	356.53	B5101V200CC-B	414.04	B5101E200CC-B	345.14
2½"	B5101S250CC-B	437.31	B5101V250CC-B	564.53	B5101E250CC-B	423.71
3"	B5101S300CC-B	595.42	B5101V300CC-B	824.39	B5101E300CC-B	576.98
4"	B5101S400CC-B	962.02	B5101V400CC-B	1395.23	B5101E400CC-B	900.58



		D						PD		P
		D								68°F
		4	1			7	1		7	140
		4	1			7	1		7	140
1		4	1			7	1		7	140
1		4	1		1 4	1	1		4	140
		4	1		1	1	1		17	140
		4	1			4	4		7	110
		4	1	4 1		1			1	110
4	4	4 4	1	4		7			4	85



Butterfly Valves

Clamp End Butterfly Valve with Trigger Handle - [C]

Features:

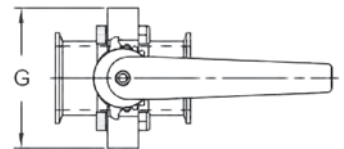
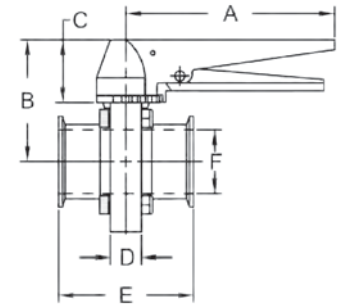
- lockout / tagout handle
- Handle is not assembled when shipped. To order with handle assembled on the valve please request assembly in the special instructions of your order.

Size	316L Stainless Steel with Silicone Seats		316L Stainless Steel with FKM Seats		316L Stainless Steel with EPDM Seats	
	Part #	Price/E	Part #	Price/E	Part #	Price/E
½"	B5101S050CC-C	\$317.53	B5101V050CC-C	\$343.34	B5101E050CC-C	\$311.80
¾"	B5101S075CC-C	317.53	B5101V075CC-C	343.34	B5101E075CC-C	311.80
1"	B5101S100CC-C	298.36	B5101V100CC-C	324.17	B5101E100CC-C	292.63
1½"	B5101S150CC-C	289.19	B5101V150CC-C	335.64	B5101E150CC-C	282.39
2"	B5101S200CC-C	356.53	B5101V200CC-C	414.04	B5101E200CC-C	345.14
2½"	B5101S250CC-C	437.31	B5101V250CC-C	564.53	B5101E250CC-C	423.71
3"	B5101S300CC-C	595.42	B5101V300CC-C	824.39	B5101E300CC-C	576.98
4"	B5101S400CC-C	962.02	B5101V400CC-C	1395.72	B5101E400CC-C	900.58



Valves

Size	D				PD	P 68°F
	D					
1	17			7	1	7
	17				1	7
	17				1	7
	17			14	1	4
	17			1		17
4	7	17		4	4	7
	17	1	4		1	1
4	4	17	1	4		4
		17	1			4



Repair Kits for Butterfly Valves

Features:

Repair kit contains:

- (1) seat
- (2) bushings

for valves located on pages I-64 and I-65

Valve Size	Black EPDM		Red Silicone		Brown FKM	
	Part #	Price/E	Part #	Price/E	Part #	Price/E
½" - 1"	B5101-RKE100	\$18.02	B5101-RKS100	\$25.33	B5101-RKV100	\$57.90
1½"	B5101-RKE150	19.43	B5101-RKS150	29.41	B5101-RKV150	80.09
2"	B5101-RKE200	23.59	B5101-RKS200	32.31	B5101-RKV200	105.01
2½"	B5101-RKE250	26.49	B5101-RKS250	36.06	B5101-RKV250	196.81
3"	B5101-RKE300	42.62	B5101-RKS300	57.07	B5101-RKV300	346.35
4"	B5101-RKE400	64.88	B5101-RKS400	88.15	B5101-RKV400	636.28
6"	B5101-RKE600	103.09	B5101-RKS600	217.33	---	---
8"	B5101-RKE800	326.50	---	---	---	---



Our commitment to excellence and continuous research and development for improving product quality may warrant periodic changes in design and specification. We reserve the right to modify product design without prior notification and without incurring any liability to provide these modifications to products previously purchased.

Butterfly Valves

Clamp Butterfly Valves

Valves

Features:

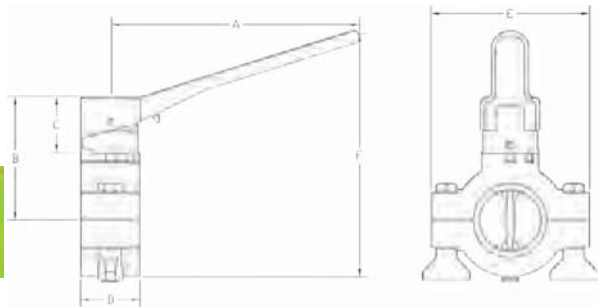
- minimal line pressure: 0.4 inches Hg vacuum @ 68°F (20°C)
- temperature range: 15°F - 200°F (-9C to 93°C)
- PTFE valve disc bushings decrease friction and increase cycle life
- valve is only 1 3/8" wide on all sizes and uses only 3/4" of the space
- 3 position reversible handle
- the grooved clamp housing connects directly to the corresponding sanitary clamp size
- easy assembly requires a hex key for the handle and wing nuts to secure and seal the housing onto lines
- can be modified for lockout/tagout
- actuation available: double acting, spring return and electric, call Dixon® for details

Information supplied based on water media @ 68°F (20°C)

Size	Break Torque (in-lbs.)	Assembly Torque (in-lbs.)	Pressure Rating (PSI)	Flow Coefficient (C _v)	Weight w/standard handle (lbs.)
1"	125	36	140	23	1.5
1 1/2"	185	36	140	80	2
2"	200	21.6	120	230	2.5
2 1/2"	260	21.6	120	264	3
3"	350	28.8	100	372	4
4"	495	43.2	70	800	6



Size	316L Stainless Steel with Silicone Seats		316L Stainless Steel with FKM Seats		316L Stainless Steel with EPDM Seats	
	Part #	Price/E	Part #	Price/E	Part #	Price/E
1"	B5102S100-A	\$197.12	B5102V100-A	\$242.28	B5102E100-A	\$197.12
1 1/2"	B5102S150-A	197.12	B5102V150-A	239.49	B5102E150-A	197.12
2"	B5102S200-A	239.26	B5102V200-A	293.10	B5102E200-A	239.26
2 1/2"	B5102S250-A	309.88	B5102V250-A	375.44	B5102E250-A	309.88
3"	B5102S300-A	366.15	B5102V300-A	436.98	B5102E300-A	366.15
4"	B5102S400-A	534.11	B5102V400-A	635.54	B5102E400-A	534.11



Size	Dimensions						Break Torque (inch lbs.)	PSI @ 68°F (20°C)
	A	B	C	D	E	F		
1"	5.6"	2.8"	1.3"	1.3"	3.6"	5.6"	125	140
1 1/2"	5.6"	2.8"	1.3"	1.3"	3.6"	5.6"	185	140
2"	5.6"	3.0"	1.3"	1.3"	4.1"	6.1"	200	120
2 1/2"	5.6"	3.3"	1.3"	1.3"	4.6"	6.6"	260	120
3"	5.6"	3.6"	1.3"	1.3"	5.3"	7.1"	350	100
4"	5.6"	4.1"	1.3"	1.3"	6.4"	8.2"	495	70

Repair Kits for Clamp Butterfly Valves

Repair kit contains:

- (1) seat
- (2) bushings



Valve Size	Black EPDM		Red Silicone		Brown FKM	
	Part #	Price/E	Part #	Price/E	Part #	Price/E
1"	B5102-RKE100	\$22.51	B5102-RKS100	\$22.51	B5102-RKV100	\$77.43
1 1/2"	B5102-RKE150	16.16	B5102-RKS150	17.78	B5102-RKV150	69.54
2"	B5102-RKE200	24.43	B5102-RKS200	24.43	B5102-RKV200	88.31
2 1/2"	B5102-RKE250	29.16	B5102-RKS250	29.16	B5102-RKV250	107.09
3"	B5102-RKE300	65.55	B5102-RKS300	65.55	B5102-RKV300	158.34
4"	B5102-RKE400	82.17	B5102-RKS400	82.17	B5102-RKV400	208.45

Butterfly Valve Automation

Butterfly Valve with Stainless Steel Vertical Spring Return Actuation

Features:

- silicone and FKM elastomers also available
- other end configurations are available
- contact Dixon® for more information

Butterfly Valve with EPDM seats and a vertical spring return normally closed pneumatic canister style actuator

Valve Size	Style B5101	
	Part #	Price/E
½"	B5101E050CC-G	\$1034.83
¾"	B5101E075CC-G	1034.83
1"	B5101E100CC-G	1102.81
1½"	B5101E150CC-G	1028.29
2"	B5101E200CC-G	1161.07
2½"	B5101E250CC-G	1221.62
3"	B5101E300CC-G	1261.11
4"	B5101E400CC-G	1579.85

Butterfly Valve with EPDM seats and a vertical spring return normally open pneumatic canister style actuator

Valve Size	Style B5101	
	Part #	Price/E
½"	B5101E050CC-F	\$1034.83
¾"	B5101E075CC-F	1034.83
1"	B5101E100CC-F	1033.14
1½"	B5101E150CC-F	1020.74
2"	B5101E200CC-F	1134.83
2½"	B5101E250CC-F	1192.76
3"	B5101E300CC-F	1383.48
4"	B5101E400CC-F	1821.72

Butterfly Valve with EPDM seats and a vertical double acting pneumatic canister style actuator

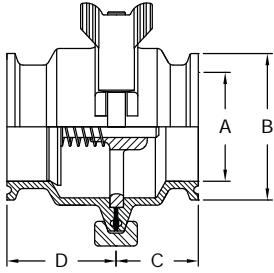
Valve Size	Style B5101	
	Part #	Price/E
½"	B5101E050CC-H	\$1034.83
¾"	B5101E075CC-H	1034.83
1"	B5101E100CC-H	1102.81
1½"	B5101E150CC-H	1063.24
2"	B5101E200CC-H	1133.43
2½"	B5101E250CC-H	1191.22
3"	B5101E300CC-H	1228.51
4"	B5101E400CC-H	1784.42



Spring Check Valves

3
1447 58-00

Valves

**Features:**

- 3A authorized 58-00
- full size flow plate
- long stem bushing for increased cycle life
- suitable for low and medium viscosity fluids
- field serviceable (no special tools required)
- operating temperature range: **15°F to 200°F (-9°C to 93°C)**
- maximum operating pressure: **145 PSI**
- various end connections available, contact Dixon® for information

Size	Dimensions				316L Stainless Steel	
	A	B	C	D	Part #	Price/E
½"	0.37"	0.99"	1.10"	1.60"	B45MP-R50	\$396.20
¾"	0.62"	0.99"	1.10"	1.60"	B45MP-R75	442.99
1"	0.87"	1.99"	1.37"	1.92"	B46MP-R100	447.84
1½"	1.37"	1.99"	1.44"	1.92"	B46MP-R150	382.09
2"	1.87"	2.52"	1.44"	1.92"	B46MP-R200	512.85
2½"	2.37"	3.05"	1.44"	1.92"	B46MP-R250	727.27
3"	2.87"	3.58"	1.44"	1.92"	B46MP-R300	964.94
4"	3.84"	4.69"	1.88"	2.15"	B46MP-R400	1132.48

Repair Kits for Spring Check Valves

Repair kit for ½" - ¾" contains:

- (1) 316L spring
- (1) FKM stem seat
- (1) EPDM body O-ring

Repair kit for 1" - 4" contains:

- (1) 316L spring
- (1) FKM stem seat
- (1) EPDM clamp gasket



Size	Part #	Price/E
½"	B45MP-RK050	\$11.39
¾"	B45MP-RK075	13.45
1"	B46MP-RK100	16.20
1½"	B46MP-RK150	17.24
2"	B46MP-RK200	21.59
2½"	B46MP-RK250	26.79
3"	B46MP-RK300	29.59
4"	B46MP-RK400	49.74

Y Ball Check Valves

3
1447

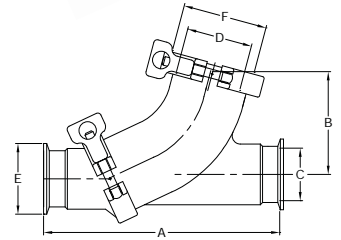
When liquid flows through the valve, the ball is forced into the branch of the valve allowing full fluid flow. When the liquid stops, equalizing the pressure, the ball drops back into the seat, preventing backflow. Should reverse flow occur, the differential pressure will cause the ball to seal firmly against the seat preventing leakage.

Features:

- maximum operating pressure: **150 PSI**
- temperature range: **15° to 200°F (-9°C to 93°C)**
- two piece construction for easier alignment during installation
- ID and OD polished to 3A standards
- all metal contact surfaces of 316L stainless steel construction
- PTFE ball
- replaceable seat
- field serviceable without special tools
- various end configurations available: clamp, weld, I-line, Q-line, bevel seat and John Perry
- air blow check valve can be added (see air blow for sizing)



Valves



Size	Dimensions						316L Stainless Steel	
	A	B	C	D	E	F	Part #	Price/E
1½"	7.50"	3.30"	1.36"	1.87"	1.98"	2.51"	B45BY-R150	\$713.39
2"	8.50"	3.90"	1.86"	2.33"	2.51"	3.04"	B45BY-R200	938.61
2½"	10.00"	4.50"	2.37"	2.87"	3.04"	3.57"	B45BY-R250	1252.72
3"	11.50"	5.30"	2.87"	3.83"	3.57"	4.68"	B45BY-R300	2047.54

Repair Kits

Size	Part #	Price/E
1½"	B45BY-RK150	\$106.76
2"	B45BY-RK200	164.26
2½"	B45BY-RK250	339.87
3"	B45BY-RK300	766.51

repair kit contains:
 (1) PTFE ball
 (1) EPDM/CF8M seat
 (1) EPDM cap gasket

Seal Kits

Size	Part #	Price/E
1½"	B45BY-SK150	\$28.38
2"	B45BY-SK200	36.93
2½"	B45BY-SK250	48.86
3"	B45BY-SK300	76.12

seal kit contains:
 (1) EPDM/CF8M seat
 (1) EPDM cap gasket

All FKM Seal Kits

Size	Part #	Price/E
1½"	B45BY-SKV150	\$87.89
2"	B45BY-SKV200	89.97
2½"	B45BY-SKV250	116.35
3"	B45BY-SKV300	180.89

FKM seal kit contains:
 (1) FKM/CF8M seat
 (1) FKM cap gasket

Replacement Balls

Size	Part #	Price/E
1½"	B45BY-TB150	\$85.35
2"	B45BY-TB200	127.26
2½"	B45BY-TB250	290.99
3"	B45BY-TB300	620.21

(1) PTFE Ball

Air Blow Check Valves

3 1447 58-00

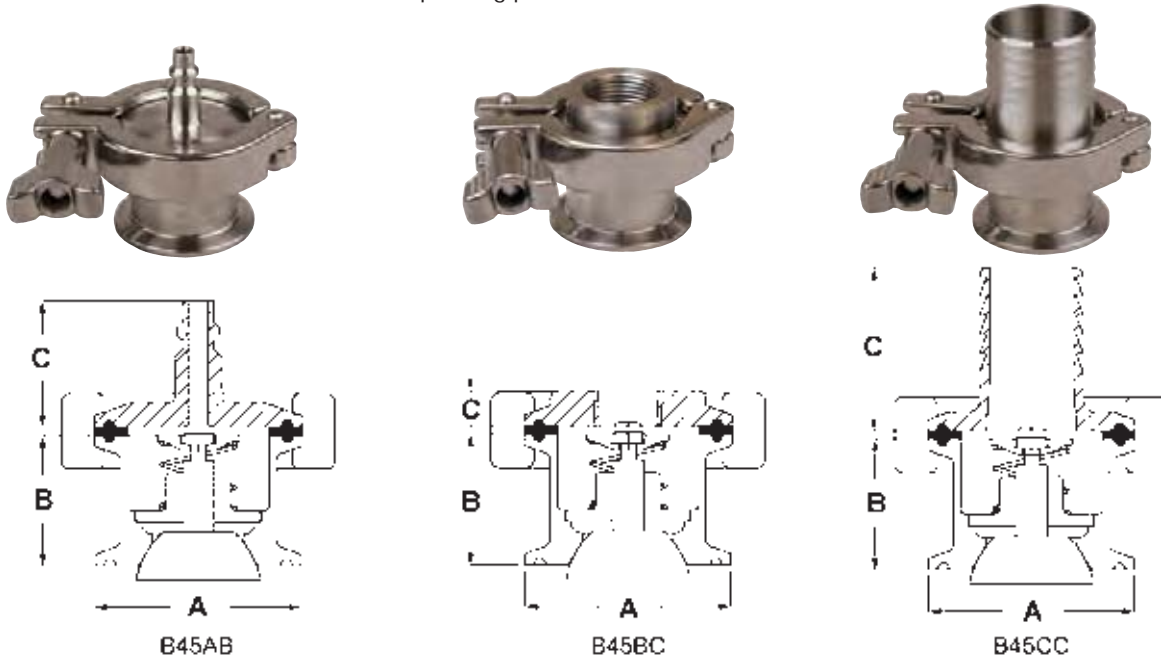
Valves

Applications:

- The air blow check valve is designed to pressurize lines with air to clean out product or cleaning solutions. It is fail-safe because the simple air-to-open, spring-to-close mechanism prevents backflow. Can be used with a check valve.

Features:

- EPDM stem seat and gasket
- conforms to 3A practice 604-05 with optional filter disc, sold separately in packs of 50
- maximum temperature: **212°F (100°C)**
- maximum operating pressure: **145 PSI**



Size	Dimensions		Quick Connect Plug 316L Stainless Steel		Dim. C	Female NPT 316L Stainless Steel		Dim. C	Hose Barb 316L Stainless Steel		Dim. C
	A	B	Part #	Price/E		Part #	Price/E		Part #	Price/E	
1"-1½"	1.984"	1.300"	B45AB-R100150	\$329.82	1.26"	B45BC-R100150	\$331.80	0.60"	B45CC-R100150	\$336.44	1.70"
2"	2.516"	1.300"	B45AB-R200	347.01	1.26"	B45BC-R200	347.26	0.60"	B45CC-R200	350.22	1.70"
2½"	3.047"	1.300"	B45AB-R250	458.59	1.26"	B45BC-R250	447.69	0.60"	B45CC-R250	441.81	1.70"
3"	3.579"	1.300"	B45AB-R300	547.93	1.26"	B45BC-R300	528.13	0.60"	B45CC-R300	566.40	1.70"
4"	4.682"	1.300"	B45AB-R400	596.86	1.26"	B45BC-R400	635.72	0.60"	B45CC-R400	610.43	1.70"

Repair Kit for Air Blow Check Valves

Repair kit contains:

- (1) EPDM / 316L stainless perforated disc
- (1) 304 stainless spring retainer
- (1) 304 stainless spring
- (1) nylon stem guide
- (1) EPDM / 316L stainless steel plug and stem

Part #	Price/E
B45AB-RK	\$70.75

When using air blow check valves with ball check valves, refer to the sizing chart below.

Sizing Chart

Ball Check Valve Size	Air Blow Check Valve Size
1½"	2"
2"	2½"
2½"	3"
3"	4"

Our commitment to excellence and continuous research and development for improving product quality may warrant periodic changes in design and specification. We reserve the right to modify product design without prior notification and without incurring any liability to provide these modifications to products previously purchased.



Air & Vacuum Relief Tank Vent Valve

Features:

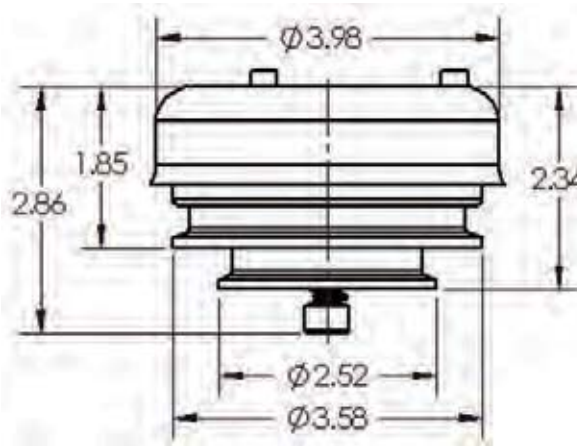
- valve relieves pressure as the fluid level rises while filling a tank
- valve relieves vacuum as the fluid level drops while emptying a tank
- 2" and 3" clamp connections on the same valve
- dome helps in preventing external contamination
- light weight, robust PVC and 304 stainless steel construction
- can use any clamp gasket
- maximum flow rate: 500 GPM
- vacuum break: .1 **PSI**
- pressure relief: .1 **PSI**



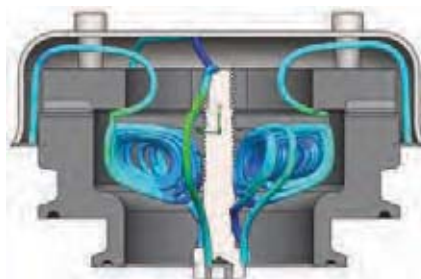
Valves

Size	304 Stainless Steel Part #	Price/E
2" - 3"	TVPC200-300	\$105.25

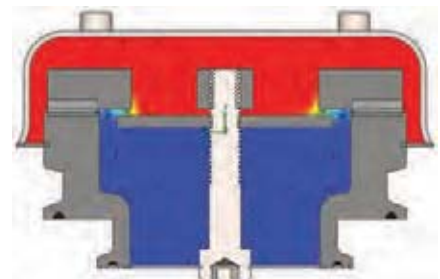
Dimensions



Assembly



Vent Flow Pipes



Pressure Analysis

Air & Vacuum Relief Tank Vent Valves

Applications:

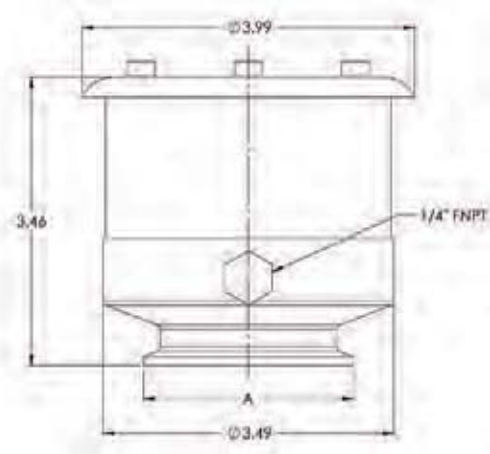
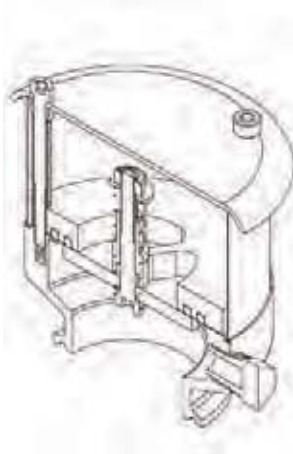
- used to relieve pressure or vacuum when product filling or evacuation in a tank

Features:

- triple action
 - valve relieves pressure as the fluid level rises while filling a tank
 - valve relieves vacuum as the fluid level drops while emptying a tank
 - seals under equal pressure
- stainless steel screen surrounds the entire vacuum and pressure flow area
- sizes: 2", 3" or 4" – clamp connection standard
- other sanitary connections optional
- ¼" FNPT connection for gas inlet, plug also supplied
- vacuum break: 2" water column, 0.1 PSI
- pressure relief: 22" water column, 0.8 PSI
- maximum temperature and pressure rating: **3 PSI @ 70°F (21°C)**
- maximum flow rate: 500 GPM

Materials:

- 304 stainless steel, EPDM elastomer



Tube OD	304 Stainless Steel	
	Part Number	Price/E
2"	TVSEC-G200	\$485.97
3"	TVSEC-G300	485.95
4"	TVSEC-G400	567.68



3A Sample Valves with Manual Handle

NEW3
1447**Applications:**

- The 3A sample valve allows easy and safe sampling of liquids from closed systems such as vessels and pipelines.
- These valves are located in the pharmaceutical, bio-pharmaceutical, biochemical, cosmetic, food, dairy and beverage markets.

Features:

- valve body made from solid bar
- no dead space
- drainable
- connections suitable for orbital welding
- available with single or dual ports
- hermetically sealed against environment
- optimum cleanability
- change of seals without special tools
- long life of the PTFE-bellows
- low spare part costs
- options for pneumatic actuator: no lever, with self-closing lever and with lever for open position
- manual actuator (hand wheel)

Materials:

- In product contact: 1.4404/AISI 316L
- Non product contact: 1.4301/AISI 304
- Product contact seals: PTFE bellows
- Surfaces: wetted product surfaces: Ra <= 32 (optional surface finishes available). Non product contact: Ra <= 63

Specifications:

- Closing tension operating pressure: maximum **116 PSI**
- Hand wheel version operating pressure: minimum **87 PSI**, maximum **232 PSI**
- Controlled air pressure: maximum **145 PSI**



Clamp Valve Size	Weld Port Size	Single Port Part Number	Price/E	Dual Port Part Number	Price/E
1/2"	1/4"	BSVS-HC050B025	\$1533.00	BSVD-HC050B025	\$1533.00
1/2"	3/8"	BSVS-HC050B375	1533.00	BSVD-HC050B375	1533.00
1/2"	1/2"	BSVS-HC050B050	1533.00	BSVD-HC050B050	1533.00
1"	1/4"	BSVS-HC100B025	1533.00	BSVD-HC100B025	1533.00
1"	3/8"	BSVS-HC100B375	1533.00	BSVD-HC100B375	1533.00
1"	1/2"	BSVS-HC100B050	1533.00	BSVD-HC100B050	1533.00
1 1/2"	1/4"	BSVS-HC150B025	POR	BSVD-HC150B025	POR
1 1/2"	3/8"	BSVS-HC150B375	POR	BSVD-HC150B375	POR
1 1/2"	1/2"	BSVS-HC150B050	POR	BSVD-HC150B050	POR
2"	1/4"	BSVS-HC200B025	1533.00	BSVD-HC200B025	1533.00
2"	3/8"	BSVS-HC200B375	1533.00	BSVD-HC200B375	1533.00
2"	1/2"	BSVS-HC200B050	1533.00	BSVD-HC200B050	1533.00
2 1/2"	1/4"	BSVS-HC250B025	1533.00	BSVD-HC250B025	1533.00
2 1/2"	3/8"	BSVS-HC250B375	1533.00	BSVD-HC250B375	1533.00
2 1/2"	1/2"	BSVS-HC250B050	1862.81	BSVD-HC250B050	1533.00
3"	1/4"	BSVS-HC300B025	1533.00	BSVD-HC300B025	1533.00
3"	3/8"	BSVS-HC300B375	1533.00	BSVD-HC300B375	1533.00
3"	1/2"	BSVS-HC300B050	1533.00	BSVD-HC300B050	1533.00
4"	1/4"	BSVS-HC400B025	1533.00	BSVD-HC400B025	1533.00
4"	3/8"	BSVS-HC400B375	1533.00	BSVD-HC400B375	1533.00
4"	1/2"	BSVS-HC400B050	1533.00	BSVD-HC400B050	1533.00



Electrically Actuated 2-Piece Stainless Ball Valves

Valves



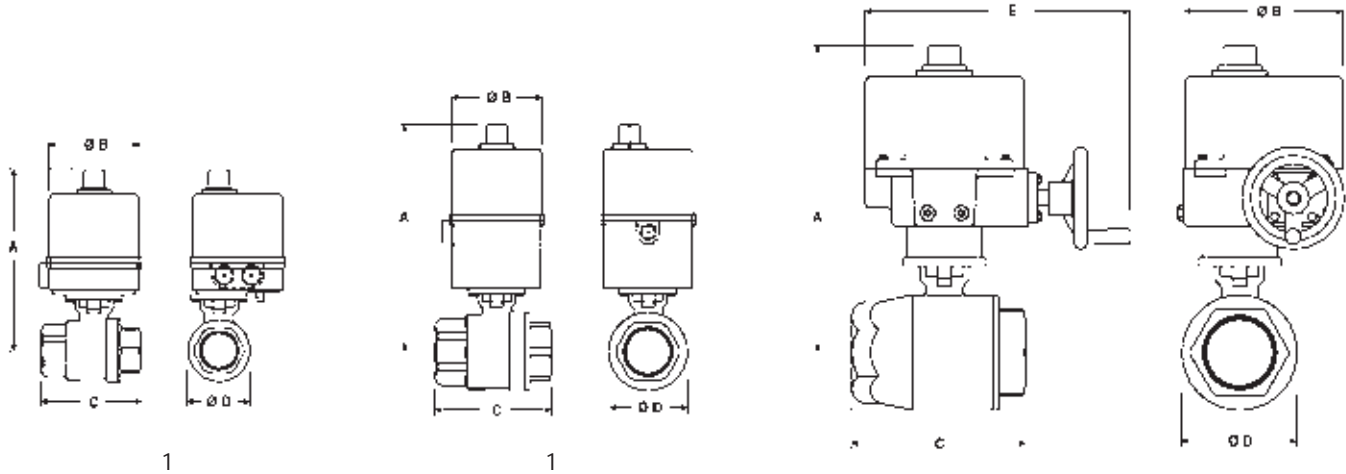
Features:

2-Piece Stainless Ball Valve

- RTFE seats and seals
- blow-out proof stem
- live-loaded stem packing
- ISO 5211 mounting pad
- pressure rating: ¼" - 2" **1000 PSI WOG**, 2½" - 3" **800 PSI WOG**
- temperature range: **-40°F to 450°F (-40°C to 232°C)**

Electric Actuator

- lightweight powder coated aluminum alloy housing
- NEMA 4/4X waterproof and dustproof
- extended duty cycle induction motor
- high alloy steel gear train
- H-insulation class
- visual position indication
- space heater is standard
- manual override standard: ½" - 1½"
- temperature range: **-41°F to 140°F (-40°C to 60°)**
- ISO 9001, CS, CE and CSA-C US Certified
- RoHS compliant



Dimensions are approximate.

Engineering dimensions are available upon request. Specifications are subject to change without notice.

Size	Dimensions					Override	316 Stainless Steel Part #	Voltage				
	A	B	C	D	E			110VAC -EA	24VDC -EG	12VDC -ET	220VAC -EK	24VAC -ES
¼"	7.79"	4.50"	2.56"	1.40"	NA	standard	BV2HG-02511	\$1138.94	\$1138.94	\$1138.94	\$1138.94	\$1138.94
⅜"	7.79"	4.50"	2.56"	1.40"	NA	standard	BV2HG-03811	1161.72	1161.72	1161.72	1161.72	1161.72
½"	7.74"	4.50"	2.95"	1.40"	NA	standard	BV2HG-05011	1292.67	1292.67	1292.67	1292.67	1292.67
¾"	7.84"	4.50"	3.15"	1.75"	NA	standard	BV2HG-07511	1321.74	1321.74	1321.74	1321.74	1321.74
1"	8.09"	4.50"	3.54"	1.75"	NA	standard	BV2HG-10011	1434.52	1434.52	1434.52	1434.52	1434.52
1¼"	8.29"	4.50"	4.33"	2.58"	NA	standard	BV2HG-12511	1429.74	1429.74	1429.74	1429.74	1429.74
1½"	8.69"	4.50"	4.72"	2.97"	NA	N/A	BV2HG-15011	1546.61	1573.61	1573.61	1573.61	1520.57
2"	11.13"	4.50"	5.51"	2.73"	NA	N/A	BV2HG-20011	2036.48	2036.48	2102.81	2036.48	2036.48
2½"	13.72"	7.08"	7.28"	4.68"	12.83"	handwheel	BV2HG-25011-EP¹	3463.54	---	---	---	---
2½"	10.69"	6.06"	7.28"	4.68"	NA	N/A	BV2HG-25011	3250.44	3250.44	3250.44	3250.44	3250.44
3"	13.72"	7.08"	8.07"	5.44"	12.83"	handwheel	BV2HG-30011	5097.93	5097.93	5097.93	5097.93	5097.93

¹ for 110VAC 2½" with manual override use -EP

A wide variety of options are available: modulating, extra switches, transmitters, potentiometer, etc. Contact Dixon® at 800.789.1718 or visit dixonvalve.com for details.

Caution !

Even though there are torque safety factors built into our automated ball valve packages, actual service conditions must also be considered when selecting the proper product for the appropriate application.

For example: Severe service conditions such as dirty water, dirty air, all slurries, raw sewage water, oils, and other viscous fluids can have a dramatic affect in raising the torque requirements of ball valves as much as 75% and therefore larger actuators may be required. Please consult Dixon® when dealing with these types of applications.



Electrically Actuated 3-Piece Stainless Ball Valves

Features:

3-Piece Stainless Ball Valve

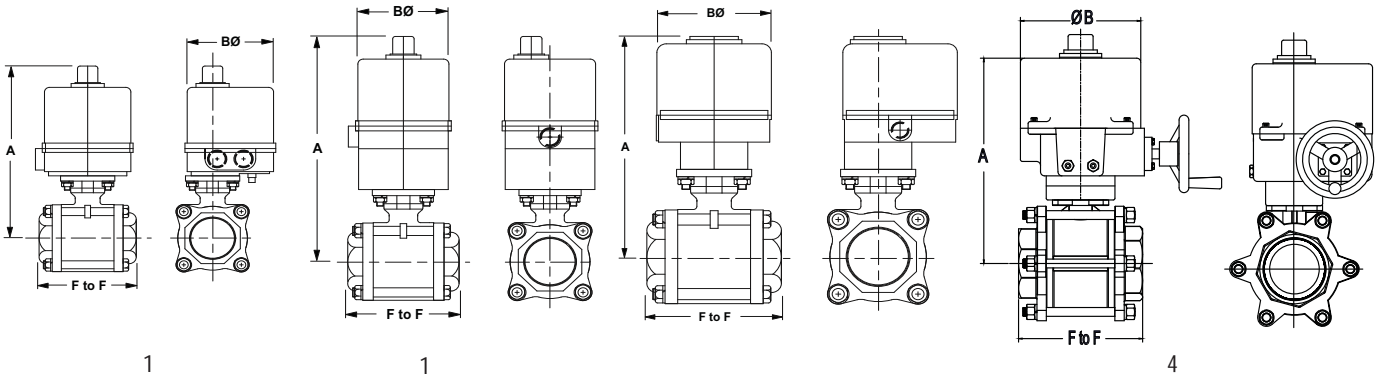
- 15% glass reinforced RTFE seats
- blow-out proof stainless steel stem
- live-loaded stem packing
- ISO 5211 mounting pad
- swing out in-line easy maintenance
- pressure rating: ½" - 2" **1000 PSI WOG**, 3" **800 PSI WOG**
- temperature range: ½" to 2": **-40°F to 350°F (-40°C to 177°C)**, 3" to 4": **-40°F to 325°F (-40°C to 163°C)**

Electric Actuator

- lightweight powder coated aluminum alloy housing
- NEMA 4/4X waterproof and dustproof
- extended duty cycle induction motor
- high alloy steel gear train
- H-insulation class
- visual position indication
- space heater is standard
- manual override standard: ½" - 1½" sizes
- temperature range: **-41°F to 140°F (-41°C to 60°C)**
- ISO 9001, CS, CE and CSA-C US Certified
- RoHS compliant



Valves



Dimensions are approximate.
Engineering dimensions are available upon request. Specifications are subject to change without notice.

Size	Dimensions			Override	316 Stainless Steel Part #	Voltage				
	F to F	A	B			110VAC -EA	24VDC -EG	12VDC -ET	220VAC -EK	24VAC -ES
½"	2.6"	7.8"	4.5"	standard	BV2IG-05011	\$1263.38	\$1190.33	\$1190.33	\$1190.33	\$1329.15
¾"	3.0"	8.0"	4.5"	standard	BV2IG-07511	1295.00	1407.31	1407.31	1407.31	1407.31
1"	3.4"	8.3"	4.5"	standard	BV2IG-10011	1392.77	1455.01	1455.01	1455.01	1455.01
1¼"	4.0"	8.5"	4.5"	standard	BV2IG-12511	1671.33	1671.33	1671.33	1671.33	1671.33
1½"	4.7"	9.2"	4.5"	N/A	BV2IG-15011	1432.43	1432.43	1432.43	1432.43	1432.43
2"	5.2"	11.4"	4.5"	N/A	BV2IG-20011	2080.17	2075.53	2075.53	2075.53	2075.53
3"	7.2"	12.2"	6.1"	N/A	BV2IG-30011	3763.72	4407.63	4552.67	3195.62	4552.67
4"	8.9"	16.1"	7.1"	N/A	BV2IG-40011	5827.25	6098.22	6024.88	6024.88	5784.12

A wide variety of options are available: modulating, extra switches, transmitters, potentiometer, etc. Contact Dixon® at 800.789.1718 or visit dixonvalve.com for details.

Caution !

Even though there are torque safety factors built into our automated ball valve packages, actual service conditions must also be considered when selecting the proper product for the appropriate application.

For example: Severe service conditions such as dirty water, dirty air, all slurries, raw sewage water, oils, and other viscous fluids can have a dramatic affect in raising the torque requirements of ball valves as much as 75% and therefore larger actuators may be required. Please consult Dixon® when dealing with these types of applications.



Electrically Actuated Brass Ball Valves

Valves



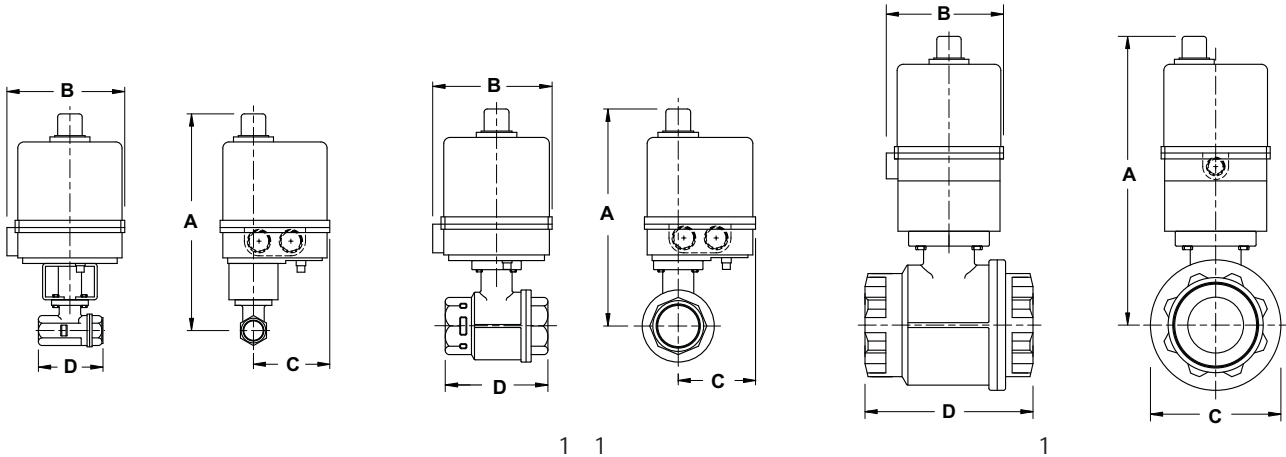
Features:

2-Piece Brass Ball Valve

- brass, body and ball
- FKM elastomers
- blow-out proof brass stem
- PTFE seats with double O-ring stem packing
- ISO 5211 mounting pad
- pressure rating: - **600 PSI WOG** , **150 PSI WSP**
- maximum temperature: **300°F (149°C)**

Electric Actuator

- lightweight powder coated aluminum alloy housing
- NEMA 4/4X waterproof and dustproof
- extended duty cycle induction motor
- high alloy steel gear train
- H-insulation class
- visual position indication
- space heater is standard
- manual override standard: ½" - 1½" sizes
- temperature range: **-41°F to 140°F (-41°C to 60°C)**
- ISO 9001, CS, CE and CSA-C US Certified
- RoHS compliant



Dimensions are approximate.

Engineering dimensions are available upon request. Specifications are subject to change without notice.

Size	Dimensions				Override	Brass Part #	Voltage				
	A	B	C	D			110VAC -EA	24VDC -EG	12VDC -ET	220VAC -EK	24VAC -ES
½"	8.8"	4.5"	3.1"	2.6"	standard	BV2BV-05011	\$1261.44	\$1120.89	\$1098.92	\$1120.89	\$1259.77
¾"	9.2"	4.5"	3.1"	3.0"	standard	BV2BV-07511	1311.91	1285.88	1313.13	1313.13	1245.91
1"	9.4"	4.5"	3.1"	3.4"	standard	BV2BV-10011	1302.98	1400.46	1365.22	1506.07	1296.52
1¼"	9.5"	4.5"	3.1"	3.7"	standard	BV2BV-12511	1370.97	1481.06	1433.21	1413.32	1337.32
1½"	8.7"	4.5"	3.1"	4.1"	N/A	BV2BV-15011	1833.01	1828.37	1488.24	1906.31	1791.74
2"	9.0"	4.5"	3.1"	4.8"	N/A	BV2BV-20011	1887.71	1990.03	1993.70	2152.53	1938.68
3"	11.8"	6.1"	5.4"	6.9"	N/A	BV2BV-30011	3367.37	4191.22	2856.44	4555.66	3434.60

A wide variety of options are available: modulating, extra switches, transmitters, potentiometer, etc. Contact Dixon® at 800.789.1718 or visit dixonvalve.com for details.

Caution !

Even though there are torque safety factors built into our automated ball valve packages, actual service conditions must also be considered when selecting the proper product for the appropriate application.

For example: Severe service conditions such as dirty water, dirty air, all slurries, raw sewage water, oils, and other viscous fluids can have a dramatic affect in raising the torque requirements of ball valves as much as 75% and therefore larger actuators may be required. Please consult Dixon® when dealing with these types of applications.



Electrically Actuated 3-Way Stainless Ball Valves - 'T / L' Port

Features:

3-Way Stainless Ball Valve

- full port
- female NPT ends
- blow-out proof stem
- live-loaded stem packing
- ISO 5211 mounting pad
- 100% air tested under water at **80 PSI**
- working pressure: ¼" to 1": **1000 PSI**; 1¼" to 2": **800 PSI**
- maximum temperature: **300°F (149°C)**

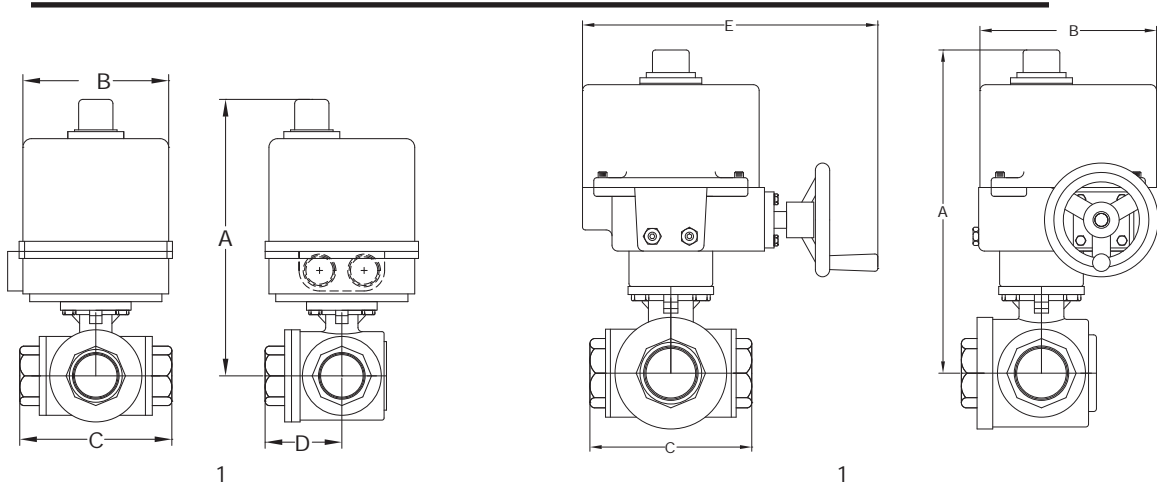
Electric Actuator

- lightweight powder coated aluminum alloy housing
- NEMA 4/4X waterproof and dustproof
- extended duty cycle induction motor
- high alloy steel gear train
- H-insulation class
- visual position indication
- space heater is standard
- manual override standard: ½" - 1½" sizes
- temperature range: **-41°F to 140°F (-41°C to 60°C)**
- ISO 9001, CS, CE and CSA-C US Certified
- RoHS compliant

- A flow path needs to be selected at time of order. If no flow path is selected, the option number labeled as default will be shipped.
- Customer verification is critical. If flow path needs to be changed after being shipped, labor and shipping charges will apply.
- for spring return actuators must note fail position



Valves



Dimensions are approximate. Engineering dimensions are available upon request.
Specifications are subject to change without notice.

* T = t style
* L = l style

Size	Dimensions					Override	316 Stainless Steel Part #	Voltage				
	A	B	C	D	E			110VAC -EA	24VDC -EG	12VDC -ET	220VAC -EK	24VAC -ES
¼"	9.01"	6.06"	2.83"	1.41"	N/A	standard	BV3IG*F-0251	\$1533.02	\$1533.02	\$1533.02	\$1533.02	\$1671.75
⅜"	9.01"	6.06"	2.83"	1.41"	N/A	standard	BV3IG*F-0381	1533.02	1533.02	1533.02	1533.02	1671.75
½"	9.21"	6.06"	3.26"	1.63"	N/A	standard	BV3IG*F-0501	1533.02	1533.02	1533.02	1533.02	1671.75
¾"	9.21"	6.06"	3.89"	1.94"	N/A	standard	BV3IG*F-0751	1699.91	1699.91	1699.91	1699.91	1838.71
1"	9.74"	6.06"	4.40"	2.20"	N/A	standard	BV3IG*F-1001	1885.40	1885.40	1885.40	1885.40	2024.20
1¼"	10.04"	6.06"	4.92"	2.46"	N/A	standard	BV3IG*F-1251	2220.82	2220.82	2220.82	2220.82	2359.61
1½"	12.92"	7.87"	5.86"	2.93"	12.99"	handwheel	BV3IG*F-1501	3647.13	3647.13	3647.13	3647.13	3988.24
2"	13.67"	7.87"	6.85"	3.42"	12.99"	handwheel	BV3IG*F-2001	4489.63	4744.37	4744.37	4412.45	5686.26

A wide variety of options are available: modulating, extra switches, transmitters, potentiometer, etc. Contact Dixon® at 800.789.1718 or visit dixonvalve.com for details.

Caution !

Even though there are torque safety factors built into our automated ball valve packages, actual service conditions must also be considered when selecting the proper product for the appropriate application.

For example: Severe service conditions such as dirty water, dirty air, all slurries, raw sewage water, oils, and other viscous fluids can have a dramatic affect in raising the torque requirements of ball valves as much as 75% and therefore larger actuators may be required. Please consult Dixon® when dealing with these types of applications.



Pneumatically Actuated 2-Piece Stainless Ball Valves

Features:

2-Piece Stainless Ball Valve

- RTFE seats and seals
- blow-out proof stem
- live-loaded stem packing
- ISO 5211 mounting pad
- pressure rating: ¼" - 2" **1000 PSI WOG**, 2½" - 3" **800 PSI WOG**
- temperature range: ¼" to 2": **-40°F to 350°F (-40°C to 177°C)**, 2½" to 3": **-40°F to 325°F (-40°C to 163°C)**

Rack and Pinion Actuator

- hard anodized aluminum body
- nickel plated anti-blowout pinion
- Buna-N O-rings
- NAMUR mounting
- bi-directional stops for ±5° travel adjustment
- **80 PSI** plant air required
- visual position indication
- maximum operating pressure: **120 PSI**
- temperature range: **-40°F to 200°F (-40°C to 93°C)**
- tested to one million cycles

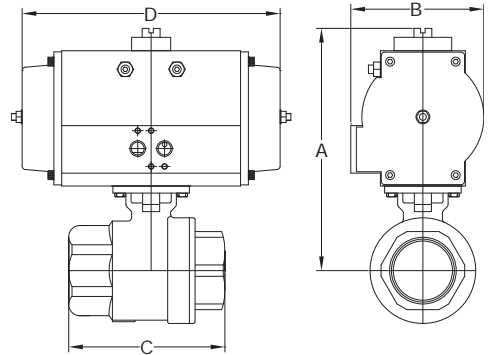


Valves

Spring Return (normally closed)

Dimensions are approximate. Engineering dimensions are available upon request. Specifications are subject to change without notice.

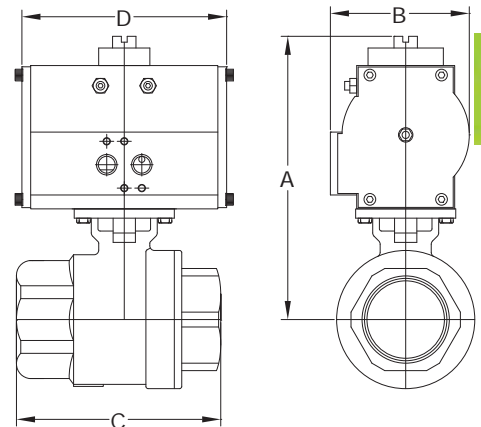
Size	Dimensions				316 Stainless Steel	
	A	B	C	D	Part #	Price/E
¼"	5.21"	2.80"	2.56"	5.49"	BV2HG-02511-BBC	\$673.00
⅜"	5.21"	2.80"	2.56"	5.49"	BV2HG-03811-BBC	679.59
½"	5.16"	2.80"	2.95"	5.49"	BV2HG-05011-BBC	712.63
¾"	5.26"	2.80"	3.15"	5.49"	BV2HG-07511-BBC	718.86
1"	6.64"	3.74"	3.54"	8.09"	BV2HG-10011-BBC	779.63
1¼"	6.84"	3.74"	4.33"	8.09"	BV2HG-12511-BBC	837.54
1½"	8.14"	4.69"	4.72"	9.84"	BV2HG-15011-BBC	1079.87
2"	8.69"	4.69"	5.51"	9.84"	BV2HG-20011-BBC	1440.75
2½"	9.54"	5.53"	7.28"	13.98"	BV2HG-25011-BBC	1967.77
3"	11.39"	7.29"	8.07"	16.61"	BV2HG-30011-BBC	4379.38



Double Acting

Dimensions are approximate. Engineering dimensions are available upon request. Specifications are subject to change without notice.

Size	Dimensions				316 Stainless Steel	
	A	B	C	D	Part #	Price/E
¼"	4.25"	1.77"	2.56"	4.33"	BV2HG-02511-BCC	\$482.22
⅜"	4.25"	1.77"	2.56"	4.33"	BV2HG-03811-BCC	447.14
½"	4.20"	1.77"	2.95"	4.33"	BV2HG-05011-BCC	467.71
¾"	4.30"	1.77"	3.15"	4.33"	BV2HG-07511-BCC	516.51
1"	5.89"	3.20"	3.54"	5.68"	BV2HG-10011-BCC	652.37
1¼"	6.09"	3.20"	4.33"	5.68"	BV2HG-12511-BCC	710.19
1½"	7.24"	3.74"	4.72"	5.87"	BV2HG-15011-BCC	874.77
2"	7.79"	3.74"	5.51"	5.87"	BV2HG-20011-BCC	1437.78
2½"	8.75"	4.69"	7.28"	7.20"	BV2HG-25011-BCC	1796.57
3"	10.01"	5.53"	8.07"	10.22"	BV2HG-30011-BCC	3754.86



A wide variety of switches, solenoids, positioners, etc., are available. Contact Dixon® at 800.789.1718 or visit dixonvalve.com for details.

Caution !

Even though there are torque safety factors built into our automated ball valve packages, actual service conditions must also be considered when selecting the proper product for the appropriate application.

For example: Severe service conditions such as dirty water, dirty air, all slurries, raw sewage water, oils, and other viscous fluids can have a dramatic affect in raising the torque requirements of ball valves as much as 75% and therefore larger actuators may be required. Please consult Dixon® when dealing with these types of applications.



Pneumatically Actuated 3-Piece Stainless Ball Valves

Valves



Features:

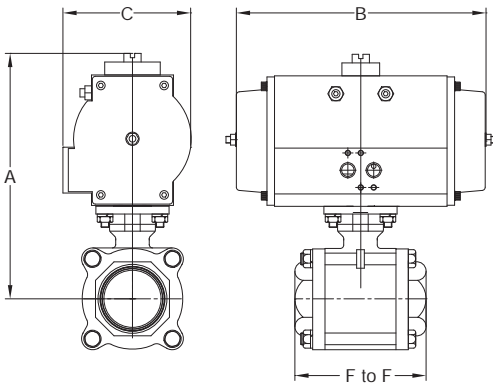
3-Piece Stainless Ball Valve

- 15% glass reinforced RTFE seats
- blow-out proof stainless steel stem
- live-loaded stem packing
- ISO 5211 mounting pad
- swing out in-line easy maintenance
- pressure rating: ½" - 2" **1000 PSI WOG**, 3" **800 PSI WOG**
- temperature range: ½" to 2" **-40°F to 350°F (-40°C to 177°C)**, 3" to 4": **-40°F to 325°F (-40°C to 163°C)**

Rack and Pinion Actuator

- hard anodized aluminum body
- nickel plated anti-blowout pinion
- Buna-N O-rings
- NAMUR mounting
- bi-directional stops for ±5° travel adjustment
- 80 PSI plant air required
- visual position indication
- maximum operating pressure: **120 PSI**
- temperature range: **-40°F to 200°F (-40°C to 93°C)**
- tested to one million cycles

Spring Return (normally closed)

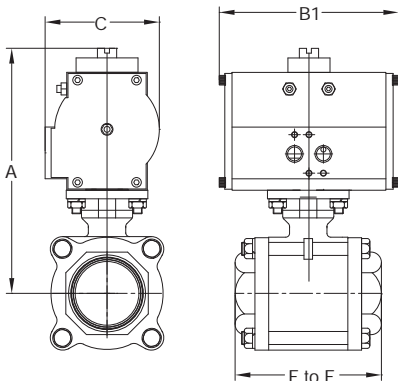


Dimensions are approximate. Engineering dimensions are available upon request. Specifications are subject to change without notice.

Size	Dimensions				316 Stainless Steel	
	F to F	A	B	C	Part #	Price/E
½"	2.6"	7.0"	7.7"	3.2"	BV2IG-05011-BBC ¹	\$760.33
¾"	3.0"	7.2"	7.7"	3.2"	BV2IG-07511-BBC ¹	767.28
1"	3.4"	6.1"	7.7"	3.2"	BV2IG-10011-BBC	813.72
1¼"	4.0"	6.3"	7.7"	3.2"	BV2IG-12511-BBC	888.58
1½"	4.7"	7.7"	8.1"	3.7"	BV2IG-15011-BBC	1031.95
2"	5.2"	8.8"	8.1"	3.7"	BV2IG-20011-BBC	1497.59
3"	7.2"	10.2"	9.8"	4.7"	BV2IG-30011-BBC	2938.28
4"	8.9"	12.4"	10.9"	5.5"	BV2IG-40011-BBC	5514.16

¹ bracket and coupler required for ½" and ¾" spring return actuator

Double Acting



Dimensions are approximate. Engineering dimensions are available upon request. Specifications are subject to change without notice.

Size	Dimensions				316 Stainless Steel	
	F to F	A	B1	C	Part #	Price/E
½"	2.6"	5.0"	4.7"	2.4"	BV2IG-05011-BCC	\$483.99
¾"	3.0"	5.2"	4.7"	2.4"	BV2IG-07511-BCC	519.18
1"	3.4"	6.1"	5.7"	3.2"	BV2IG-10011-BCC	672.28
1¼"	4.0"	6.3"	5.7"	3.2"	BV2IG-12511-BCC	760.56
1½"	4.7"	7.7"	5.9"	3.7"	BV2IG-15011-BCC	1031.95
2"	5.2"	8.0"	5.9"	3.7"	BV2IG-20011-BCC	1118.24
3"	7.2"	10.2"	7.2"	4.7"	BV2IG-30011-BCC	2380.69
4"	8.9"	13.8"	16.3"	7.2"	BV2IG-40011-BCC	3974.27

A wide variety of switches, solenoids, positioners, etc., are available. Contact Dixon® at 800.789.1718 or visit dixonvalve.com for details.

Caution !

Even though there are torque safety factors built into our automated ball valve packages, actual service conditions must also be considered when selecting the proper product for the appropriate application.

For example: Severe service conditions such as dirty water, dirty air, all slurries, raw sewage water, oils, and other viscous fluids can have a dramatic affect in raising the torque requirements of ball valves as much as 75% and therefore larger actuators may be required. Please consult Dixon® when dealing with these types of applications.



Pneumatically Actuated Brass Ball Valves

Features:

2-Piece Brass Ball Valve

- brass, body and ball
- FKM elastomers
- blow-out proof brass stem
- PTFE seats with double O-ring stem packing
- ISO 5211 mounting pad
- pressure rating: - **600 PSI WOG, 150 PSI WSP**
- maximum temperature: **300°F (149°C)**

Rack and Pinion Actuator

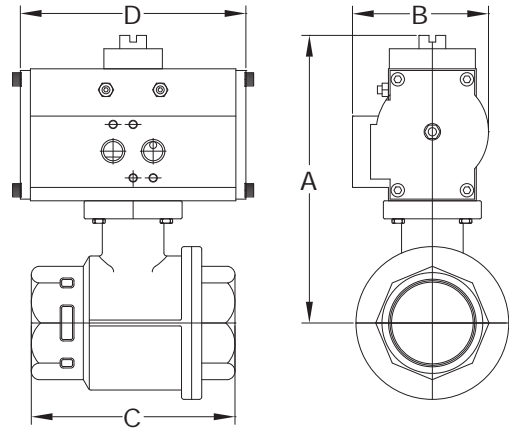
- hard anodized aluminum body
- nickel plated anti-blowout pinion
- Buna-N O-rings
- NAMUR mounting
- bi-directional stops for $\pm 5^\circ$ travel adjustment
- 80 PSI plant air required
- visual position indication
- maximum operating pressure: **120 PSI**
- temperature range: **-40°F to 200°F (-40°C to 93°C)**
- tested to one million cycles



Spring Return (normally closed)

All dimensions are given in inches, unless noted. Dimensions are approximate. Engineering dimensions are available upon request. Specifications are subject to change without notice.

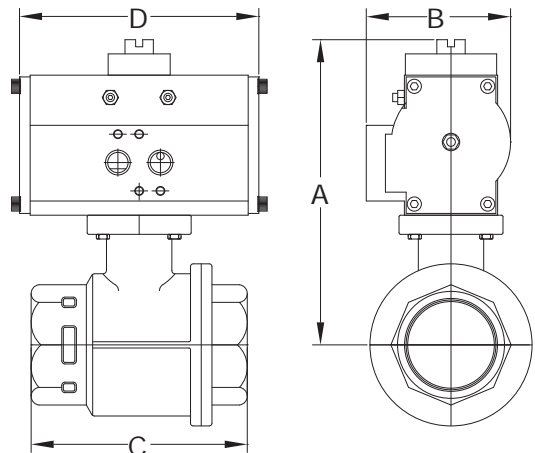
Size	Dimensions				Brass	
	A	B	C	D	Part #	Price/E
¼"	4.80"	2.80"	2.64"	5.49"	BV2BV-02511-BBC	\$678.62
⅜"	4.80"	2.80"	2.64"	5.49"	BV2BV-03811-BBC	661.24
½"	4.80"	2.80"	2.64"	5.49"	BV2BV-05011-BBC	690.89
¾"	4.88"	2.80"	3.00"	5.49"	BV2BV-07511-BBC	671.00
1"	5.31"	2.80"	3.35"	5.49"	BV2BV-10011-BBC	703.02
1¼"	5.45"	2.80"	3.66"	5.49"	BV2BV-12511-BBC	900.19
1½"	6.04"	2.80"	4.13"	5.49"	BV2BV-15011-BBC	1011.98
2"	6.40"	2.80"	4.80"	5.49"	BV2BV-20011-BBC	1283.44
2½"	8.13"	3.74"	6.10"	8.09"	BV2BV-25011-BBC	1673.97
3"	8.50"	3.74"	6.89"	8.09"	BV2BV-30011-BBC	2401.83
4"	10.14"	4.69"	8.03"	9.84"	BV2BV-40011-BBC	2913.27



Double Acting

Dimensions are approximate. Engineering dimensions are available upon request. Specifications are subject to change without notice.

Size	Dimensions				Brass	
	A	B	C	D	Part #	Price/E
¼"	3.84"	1.77"	2.64"	4.33"	BV2BV-02511-BCC	\$486.58
⅜"	3.84"	1.77"	2.64"	4.33"	BV2BV-03811-BCC	469.11
½"	3.84"	1.77"	2.64"	4.33"	BV2BV-05011-BCC	414.55
¾"	3.92"	1.77"	3.00"	4.33"	BV2BV-07511-BCC	542.92
1"	4.35"	1.77"	3.35"	4.33"	BV2BV-10011-BCC	575.00
1¼"	4.49"	1.77"	3.66"	4.33"	BV2BV-12511-BCC	741.19
1½"	6.42"	3.20"	4.13"	5.68"	BV2BV-15011-BCC	801.02
2"	6.78"	3.20"	4.80"	5.68"	BV2BV-20011-BCC	904.04
2½"	8.13"	3.74"	6.10"	5.87"	BV2BV-25011-BCC	1488.97
3"	8.50"	3.74"	6.89"	5.87"	BV2BV-30011-BCC	1844.12
4"	10.14"	4.69"	8.03"	7.20"	BV2BV-40011-BCC	2355.68



A wide variety of switches, solenoids, positioners, etc., are available. Contact Dixon® at 800.789.1718 or visit dixonvalve.com for details.

Caution !

Even though there are torque safety factors built into our automated ball valve packages, actual service conditions must also be considered when selecting the proper product for the appropriate application.

For example: Severe service conditions such as dirty water, dirty air, all slurries, raw sewage water, oils, and other viscous fluids can have a dramatic affect in raising the torque requirements of ball valves as much as 75% and therefore larger actuators may be required. Please consult Dixon® when dealing with these types of applications.



Pneumatically Actuated 3-Way Stainless Ball Valves - 'T / L' Port

Valves



Features:

3-Way Stainless Ball Valve

- full port
- female NPT ends
- blow-out proof stem
- live-loaded stem packing
- ISO 5211 mounting pad
- 100% air tested under water at **80 PSI**
- working pressure: ¼" to 1": **1000 PSI**; 1¼" to 2": **800 PSI**
- maximum temperature: **300°F (149°C)**

Rack and Pinion Actuator

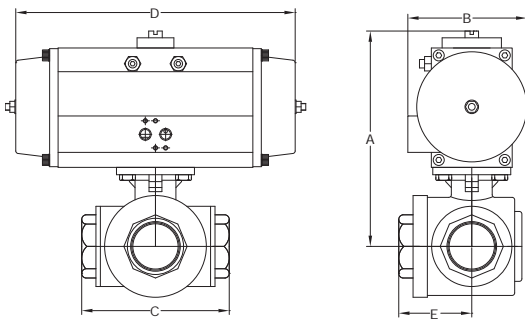
- hard anodized aluminum body
- nickel plated anti-blowout pinion
- Buna-N O-rings
- NAMUR mounting
- bi-directional stops for ±5° travel adjustment
- 80 PSI plant air required
- visual position indication
- maximum operating pressure: **120 PSI**
- temperature range: **-40°F to 200°F (-40° to 93°C)**
- tested to one million cycles

- A flow path needs to be selected at time of order. If no flow path is selected, the option number labeled as default will be shipped.
- Customer verification is critical. If flow path needs to be changed after being shipped, labor and shipping charges will apply.
- for spring return actuators must note fail position

Spring Return (normally closed)

Dimensions are approximate. Engineering dimensions are available upon request. Specifications are subject to change without notice.

* T = t-style
* L = l-style

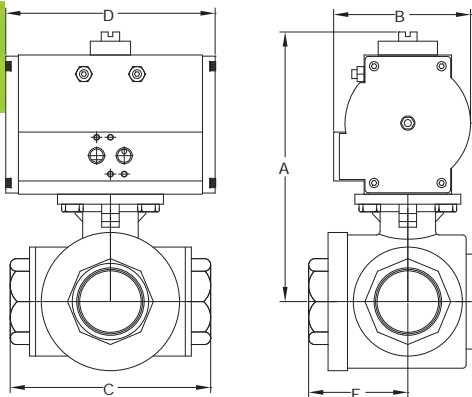


Size	Dimensions					316 Stainless Steel	
	A	B	C	D	E	Part #	Price/E
¼"	5.35"	3.20"	2.83"	7.10"	1.41"	BV3IG*F-0251BBC	\$1103.01
¾"	5.35"	3.20"	2.83"	7.10"	1.41"	BV3IG*F-0381BBC	1103.01
½"	5.55"	3.20"	3.26"	7.10"	1.63"	BV3IG*F-0501BBC	1103.01
¾"	6.30"	3.74"	3.89"	7.45"	1.94"	BV3IG*F-0751BBC	1345.69
1"	6.83"	3.74"	4.40"	7.45"	2.20"	BV3IG*F-1001BBC	1531.10
1¼"	7.13"	3.74"	4.92"	7.45"	2.46"	BV3IG*F-1251BBC	2086.97
1½"	8.43"	4.69"	5.86"	9.10"	2.93"	BV3IG*F-1501BBC	2437.31
2"	9.97"	5.53"	6.85"	12.99"	3.42"	BV3IG*F-2001BBC	3898.83

Double Acting

Dimensions are approximate. Engineering dimensions are available upon request. Specifications are subject to change without notice.

* T = t-style
* L = l-style



Size	Dimensions					316 Stainless Steel	
	A	B	C	D	E	Part #	Price/E
¾"	5.35"	3.20"	2.83"	7.10"	1.41"	BV3IG*F-0381BCC	\$975.00
½"	5.55"	3.20"	3.26"	7.10"	1.63"	BV3IG*F-0501BCC	975.00
¾"	6.30"	3.74"	3.89"	7.45"	1.94"	BV3IG*F-0751BCC	1106.94
1"	6.83"	3.74"	4.40"	7.45"	2.20"	BV3IG*F-1001BCC	1372.18
1¼"	7.13"	3.74"	4.92"	7.45"	2.46"	BV3IG*F-1251BCC	1914.73
1½"	8.43"	4.69"	5.86"	9.10"	2.93"	BV3IG*F-1501BCC	2311.71
2"	9.97"	5.53"	6.85"	12.99"	3.42"	BV3IG*F-2001BCC	3341.13

A wide variety of switches, solenoids, positioners, etc., are available. Contact Dixon® at 800.789.1718 or visit dixonvalve.com for details.

Caution !

Even though there are torque safety factors built into our automated ball valve packages, actual service conditions must also be considered when selecting the proper product for the appropriate application.

For example: Severe service conditions such as dirty water, dirty air, all slurries, raw sewage water, oils, and other viscous fluids can have a dramatic affect in raising the torque requirements of ball valves as much as 75% and therefore larger actuators may be required. Please consult Dixon® when dealing with these types of applications.



Pneumatically Actuated 3-Way Brass Ball Valves - 'T / L' Port

Features:

3-Way Brass Ball Valve

- reduced port
- blow-out proof stem
- brass body and chrome-plated brass ball
- PTFE seats with O-ring backing for low operating torque
- PTFE seats and double O-ring stem packing
- ISO 5211 mounting pad
- 100% tested
- pressure rating: **400 PSI WOG 100 PSI WSP**
- maximum temperature: **300°F (149°C)**

Rack and Pinion Actuator

- hard anodized aluminum body
- nickel plated anti-blowout pinion
- Buna-N O-rings
- NAMUR mounting
- bi-directional stops for ±5° travel adjustment
- 80 PSI plant air required
- visual position indication
- maximum operating pressure: **120 PSI**
- temperature range: **-40°F to 200°F (-40°C to 93°C)**
- tested to one million cycles

- A flow path needs to be selected at time of order. If no flow path is selected, the option number labeled as default will be shipped.
- Customer verification is critical. If flow path needs to be changed after being shipped, labor and shipping charges will apply.
- for spring return actuators must note fail position



Valves

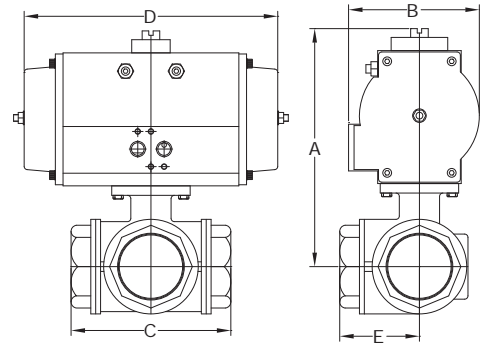
Spring Return (normally closed)

All dimensions are given in inches, unless noted. Dimensions are approximate. Engineering dimensions are available upon request. Specifications are subject to change without notice.

* T = t-style

* L = l-style

Size	Dimensions					Brass	
	A	B	C	D	E	Part #	Price/E
¼"	4.72"	2.80"	2.64"	5.49"	1.32"	BV3BV*R-0251BBC	\$810.90
⅜"	4.72"	2.80"	2.64"	5.49"	1.32"	BV3BV*R-0381BBC	810.90
½"	4.72"	2.80"	2.87"	5.49"	1.44"	BV3BV*R-0501BBC	810.90
¾"	4.81"	2.80"	3.19"	5.49"	1.60"	BV3BV*R-0751BBC	858.61
1"	6.28"	3.74"	3.74"	7.45"	1.87"	BV3BV*R-1001BBC	1002.50
1¼"	6.50"	3.74"	4.39"	7.45"	2.20"	BV3BV*R-1251BBC	1078.21
1½"	6.99"	3.74"	4.86"	7.45"	2.43"	BV3BV*R-1501BBC	1539.81
2"	8.45"	4.69"	5.73"	9.10"	2.87"	BV3BV*R-2001BBC	2160.75
2½"	8.90"	4.69"	6.93"	9.10"	3.47"	BV3BV*R-2501BBC	3332.62
3"	8.90"	4.69"	7.08"	9.10"	3.54"	BV3BV*R-3001BBC	3251.56



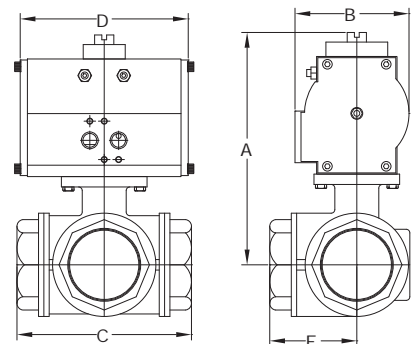
Double Acting

Dimensions are approximate. Engineering dimensions are available upon request. Specifications are subject to change without notice.

* T = t-style

* L = l-style

Size	Dimensions					Brass	
	A	B	C	D	E	Part #	Price/E
¼"	3.76"	1.77"	2.64"	4.33"	1.32"	BV3BV*R-0251BCC	\$620.43
⅜"	3.76"	1.77"	2.64"	4.33"	1.32"	BV3BV*R-0381BCC	620.43
½"	3.76"	1.77"	2.87"	4.33"	1.44"	BV3BV*R-0501BCC	633.06
¾"	3.85"	1.77"	3.19"	4.33"	1.60"	BV3BV*R-0751BCC	649.11
1"	5.53"	3.20"	3.74"	5.32"	1.87"	BV3BV*R-1001BCC	824.75
1¼"	5.75"	3.20"	4.39"	5.32"	2.20"	BV3BV*R-1251BCC	995.40
1½"	6.24"	3.20"	4.86"	5.32"	2.43"	BV3BV*R-1501BCC	1315.61
2"	7.55"	3.74"	5.73"	5.51"	2.87"	BV3BV*R-2001BCC	1856.75
2½"	8.00"	3.74"	6.93"	5.51"	3.47"	BV3BV*R-2501BCC	2972.35
3"	8.00"	3.74"	7.08"	5.51"	3.54"	BV3BV*R-3001BCC	2902.53



A wide variety of switches, solenoids, positioners, etc., are available. Contact Dixon® at 800.789.1718 or visit dixonvalve.com for details.

Caution !

Even though there are torque safety factors built into our automated ball valve packages, actual service conditions must also be considered when selecting the proper product for the appropriate application.

For example: Severe service conditions such as dirty water, dirty air, all slurries, raw sewage water, oils, and other viscous fluids can have a dramatic effect in raising the torque requirements of ball valves as much as 75% and therefore larger actuators may be required. Please consult Dixon® when dealing with these types of applications.



Pneumatically Actuated Wafer Butterfly Valves

Valves

Features:

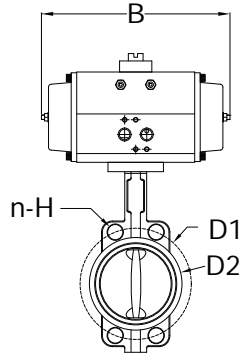
- installs between standard ANSI Class 150# flanges
- ductile iron body with extended neck
- nickel plated ductile iron disc
- seat backing ring ensures blowout proof service
- conforms to MSS-SP-67, MSS-SP-25,API-609
- no taper pins
- field repairable (seat kits available)
- replaceable EPDM seat
- maximum operating pressure: **200 PSI** (bi-directional)
- temperature range: **-20°F to 250°F (-29°C to 121°C)**
- a wide variety of seat, disc and body materials are available

Rack and Pinion Actuators

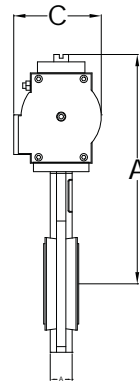
Features:

- bi-directional stops for $\pm 5^\circ$ travel adjustment
- **80 PSI** plant air required
- maximum operating pressure: **120 PSI**
- temperature range: **-40°F to 200°F (-40°C to 93°C)**
- hard anodized aluminum body
- Namur mounting
- nickel plated anti-blowout pinion
- Buna-N O-rings
- visual position indication
- tested to 1 million cycles

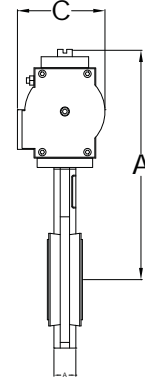
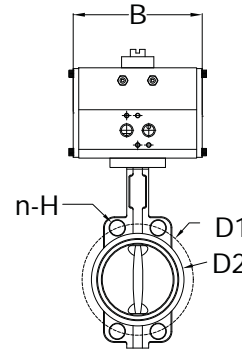
Valves



Spring Return



Double Acting



All dimensions are given in inches, unless noted. Dimensions are approximate. Engineering dimensions are available upon request. Specifications are subject to change without notice.

Wafer Spring Return

Size	A	B	C	D1	D2	n-H	Part #	Price/E
1½"	9.61"	8.09"	3.74"	3.88"	3.74"	4-18	B5121E150W-BBC	\$731.90
2"	9.80"	8.09"	3.74"	4.75"	3.82"	4-18	B5121E200W-BBC	734.50
2½"	11.65"	9.84"	4.69"	5.50"	4.45"	4-18	B5121E250W-BBC	958.40
3"	11.89"	9.84"	4.69"	6.00"	4.92"	4-18	B5121E300W-BBC	980.10
4"	12.63"	9.84"	4.69"	7.50"	6.14"	4-22	B5121E400W-BBC	1041.30
5"	13.94"	13.98"	5.53"	8.50"	7.36"	4-22	B5121E500W-BBC	1427.50
6"	14.45"	13.98"	5.53"	9.50"	8.46"	4-22	B5121E600W-BBC	1487.00
8"	17.17"	16.60"	7.29"	11.75"	10.51"	4-22	B5121E800W-BBC	2796.80
10"	19.21"	19.17"	8.06"	14.25"	13.00"	4-26	B5121E1000W-BBC	3579.00
12"	22.87"	25.28"	9.37"	17.00"	14.96"	4-26	B5121E1200W-BBC	8865.10

Wafer Double Acting

Size	A	B	C	D1	D2	n-H	Part #	Price/E
1½"	9.61"	5.87"	3.74"	3.88"	3.74"	4-18	B5121E150W-BCC	\$599.30
2"	9.80"	5.87"	3.74"	4.75"	3.82"	4-18	B5121E200W-BCC	601.80
2½"	10.75"	5.87"	3.74"	5.50"	4.45"	4-18	B5121E250W-BCC	620.80
3"	10.99"	5.87"	3.74"	6.00"	4.92"	4-18	B5121E300W-BCC	642.50
4"	11.73"	5.87"	3.74"	7.50"	6.14"	4-22	B5121E400W-BCC	732.70
5"	13.15"	7.20"	4.69"	8.50"	7.36"	4-22	B5121E500W-BCC	973.00
6"	13.66"	7.20"	4.69"	9.50"	8.46"	4-22	B5121E600W-BCC	1032.40
8"	15.79"	10.22"	5.53"	11.75"	10.51"	4-22	B5121E800W-BCC	1558.00
10"	17.05"	10.22"	5.53"	14.25"	13.00"	4-26	B5121E1000W-BCC	1609.90
12"	20.20"	11.98"	7.29"	17.00"	14.96"	4-26	B5121E1200W-BCC	2736.80

Pneumatically Actuated Lug Butterfly Valves

Valves

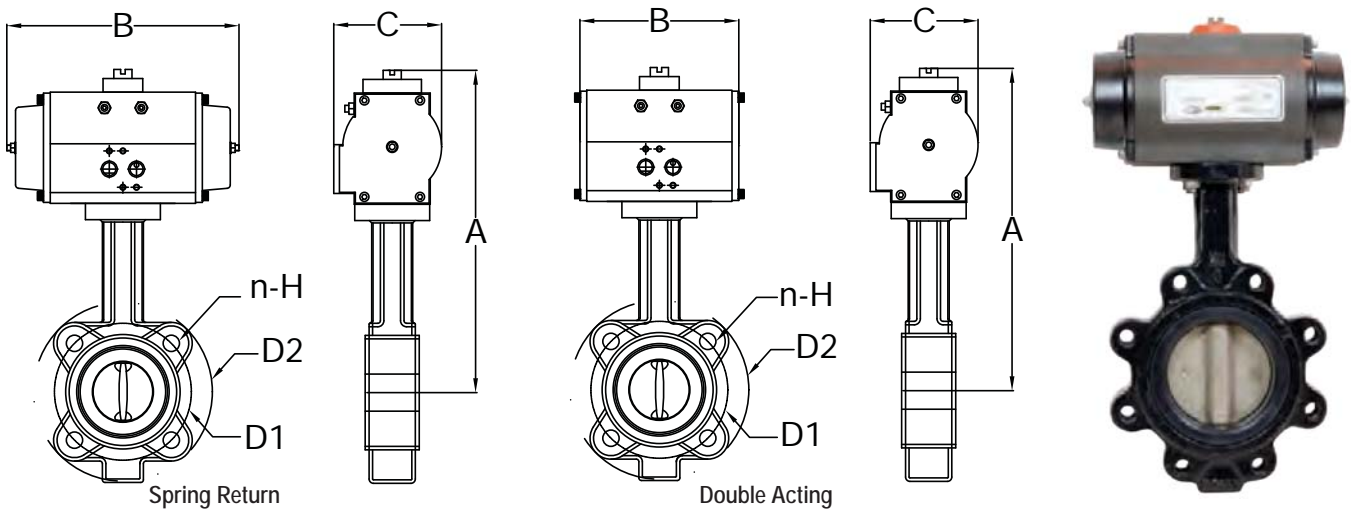
Features:

- ductile iron body with extended neck
- nickel plated ductile iron disc
- seat backing ring ensures blowout proof service
- installs between standard ANSI Class 150# flanges
- conforms to MSS-SP-67, MSS-SP-25, API-609
- no taper pins
- field repairable (seat kits available)
- replaceable EPDM seat
- maximum operating pressure: **200 PSI** (bi-directional)
- temperature range: **-20°F to 250°F (-29°C to 121°C)**
- a wide variety of seat, disc and body materials are available

Rack and Pinion Actuator

Features:

- bi-directional stops for $\pm 5^\circ$ travel adjustment
- **80 PSI** plant air required
- maximum operating pressure: **120 PSI**
- temperature range: **-40°F to 200°F (-40°C to 93°C)**
- hard anodized aluminum body
- Namur mounting
- nickel plated anti-blowout pinion
- Buna-N O-rings
- visual position indication
- tested to 1 million cycles
- a wide variety of switches, solenoids, positioners, etc., are available, contact Dixon® for details



All dimensions are given in inches, unless noted. Dimensions are approximate. Engineering dimensions are available upon request. Specifications are subject to change without notice.

Lug Spring Return

Size	A	B	C	D1	D2	n-H	Part #	Price/E
2"	9.80	8.09	3.74	.75	5.95	4-5/8-11 UNC	B5121E200L-BBC	\$755.80
2½"	11.65	9.84	4.69	5.50	6.97	4-5/8-11 UNC	B5121E250L-BBC	1002.20
3"	11.89	9.84	4.69	6.00	7.56	4-5/8-11 UNC	B5121E300L-BBC	1032.10
4"	12.63	9.84	4.69	7.50	8.35	8-5/8-11 UNC	B5121E400L-BBC	1123.40
5"	13.94	13.98	5.53	8.50	9.53	8-5/8-11 UNC	B5121E500L-BBC	1533.60
6"	14.45	13.98	5.53	9.50	11.02	8-5/8-11 UNC	B5121E600L-BBC	1601.80
8"	17.17	16.60	7.29	11.75	13.19	8-5/8-11 UNC	B5121E800L-BBC	2929.70
10"	19.21	19.17	8.06	14.25	15.94	12-7/8-9 UNC	B5121E1000L-BBC	4062.00
12"	22.87	25.28	9.37	17.00	19.09	12-7/8-9 UNC	B5121E1200L-BBC	6658.30

Lug Double Acting

Size	A	B	C	D1	D2	n-H	Part #	Price/E
2"	9.80"	5.87"	3.74"	4.75"	5.95"	4-5/8-11 UNC	B5121E200L-BCC	\$623.10
2½"	10.75"	5.87"	3.74"	5.50"	6.97"	4-5/8-11 UNC	B5121E250L-BCC	664.70
3"	10.99"	5.87"	3.74"	6.00"	7.56"	4-5/8-11 UNC	B5121E300L-BCC	694.50
4"	11.73"	5.87"	3.74"	7.50"	8.35"	8-5/8-11 UNC	B5121E400L-BCC	814.80
5"	13.15"	7.20"	4.69"	8.50"	9.53"	8-5/8-11 UNC	B5121E500L-BCC	1079.10
6"	13.66"	7.20"	4.69"	9.50"	11.02"	8-5/8-11 UNC	B5121E600L-BCC	1117.30
8"	15.79"	10.22"	5.53"	11.75"	13.19"	8-5/8-11 UNC	B5121E800L-BCC	1690.90
10"	17.05"	10.22"	5.53"	14.25"	15.94"	12-7/8-9 UNC	B5121E1000L-BCC	2105.80
12"	20.20"	11.98"	7.29"	17.00"	19.09"	12-7/8-9 UNC	B5121E1200L-BCC	3329.30

Actuated Valve Accessories

Limit Switches

Valves



L 4 1 P

Features:

- visual position indicator
- 3D open/close indication
- quick-set cam
- mechanical SPDT switches (standard)
- multipoint terminal strip
- various switch options available
- cable entry: (2) 1/2" NPT

Enclosures available:

NEMA 4 4/X

- water and dust tight for indoor or outdoor use
- corrosion resistant

NEMA 7

- water and dust tight for indoor or outdoor use
- corrosion resistant
- for use in indoor hazardous locations
- explosion proof

Enclosure	Part #	Price/E
NEMA 4/4X	XLS-B4A0120P	\$355.56
NEMA 7	XLS-C7A0120P	694.10

Solenoids

Features:

- pressure range: **30 PSI to 150 PSI**
- duty cycle: 100% extended duty
- voltages available: 12VDC, 24VDC, 24VAC, 48VAC, 110VAC, 220VAC
- electroless nickel plated spool
- easy-to-use manual override
- port sizes: inlet and exhaust 1/4" NPT
- NEMA 4 4/X Enclosure
 - water and dust tight for indoor or outdoor use
 - corrosion resistant



Description	Voltage	Part #	Price/E
single coil	115VAC	XSO-4S4D-0A	\$242.95
single coil	24VDC	XSO-4S4B-0A	242.95
dual coil	115VAC	XSO-4D4D-0A	403.46
dual coil	24VDC	XSO-4D4B-0A	340.77

Positioners

Features:

- air capacity:
 - at 29 PSI (200kPa): 9.5 SCFM
 - at 87 PSI (600kPa): 28.3 SCFM
 - at 145 PSI (1MPa): 47.1 SCFM
- air connections: 1/4" NPT
- gauges: 1/8" NPT
- cable entry: 1/2" NPT

Electro-Pneumatic

- input range: 4-20mA (Ri<250ohms)
- supply pressure: 21.8 to 145 PSI (0.15 to 1MPa)
- linearity error: <1.0% f.s
- hysteresis: <0.6% f.s
- repeatability: <0.5% f.s

Pneumatic

- input range: 3 to 15 PSI (20-100kPa)
- supply pressure: < 145 PSI (<1MPa)
- linearity error: <0.7% f.s
- hysteresis: <0.4% f.s
- repeatability: <0.3% f.s



Positioner Type	Part #	Price/E
Electro-Pneumatic	XPO-E4F	\$3012.82
Pneumatic	XPO-P4F	1474.36

Drum Plug Wrenches

Features:

- sparkproof, natural finish is safe around flammables
- offset handle design reduces user stress and minimizes knuckle injury

Bronze		Aluminum	
Part #	Price/E	Part #	Price/E
DPW	\$106.50	ADPW	\$42.50



DP



DP

Valves

Drum Faucets

Polyethylene Drum Faucets

Features:

- Faucets are *not* to be used in applications where temperatures exceed **140°F (60°C)**.
- no wrench needed for screwing into drum opening
- 2" faucet is shipped with a gasket; the 3/4" does not require a gasket

NPT Thread	Gold Polyethylene	
	Part #	Price/E
3/4"	PEDF75	\$10.80
2"	PEDF200	56.75



Stainless Heavy Duty Adjustable Drum Faucet

Features:

- 3/4" NPT connection
- adjustable shank is designed to easily adjust to proper drain position after installing in drum
- PTFE gasket
- FM approved for use with oils and non-flammables

Stainless Steel	
Part #	Price/E
HDSSF75	\$565.00



Brass Heavy Duty Adjustable Drum Faucet

Features:

- 3/4" NPT connection
- easy to use, self-closing design
- FM approved for use with oils and non-corrosive flammables

Brass	
Part #	Price/E
AHDBF75	\$229.25



Brass Heavy Duty Drum Faucet with Rigid Shank

Features:

- 3/4" NPT connection
- easy to use, self-closing design
- PTFE gasket
- FM approved for use with oils and non-corrosive flammables

Brass	
Part #	Price/E
HDBF75	\$183.50



Compression Bibb Faucets

Application:

- for water use only

Features:

- rough brass finish
- nozzle end is GHT

Male NPT Inlet	Brass	
	Part #	Price/E
1/2"	35-201-10	\$32.50
3/4"	35-202-10	32.50



Drum Thread Adapter

Valves



Application:

- for use in gravity discharge from drums

Features:

- male NPSH thread with gasket on the drum side allows for a connection to drums with female NPSH thread
- male NPT end allows for a connection with the female NPT found on most ball valves

Size	Cast Brass	
	Part #	Price/E
2" x 2"	DMH20DR20	\$68.00

Drum Gate Valves

Application:

- ideal for drawing non-flammable liquids from drums and tanks

Features:

- iron body
- manually operated
- machined and lapped brass faceplate designed for oval discharge, ensures no splashing and a smooth operation
- black Japanned finish
- can be padlocked



Male NPT	Iron	
	Part #	Price/E
3/4"	D71	\$87.00
2"	D75	117.00

Features:

- lightweight, durable aluminum body provides improved corrosion resistance for certain fluids
- sturdy 2" handle is stamped metal with black enamel finish
- can be padlocked



Male NPT	Aluminum	
	Part #	Price/E
2"	D75AL	\$169.00

Self-Closing Gate Valves

Application:

- ideal for dispensing viscous liquids such as oil, grease, paint, varnish and syrups from drums and tanks

Features:

- gray iron body, brass sliding gate and machine lapped sealing surface
- gate closes automatically when handle is released, cleaning discharge surface
- can be padlocked



Male NPT	Iron	
	Part #	Price/E
3/4"	D71SC	\$137.00
2"	D75SC	340.00