

**Mill Hose ..... L-2 to L-5**

- Synthetic Single Jacket ..... L-2 to L-4
- Synthetic Double Jacket ..... L-5

**Washdown Hose..... L-6 to L-8**

- Nitrile ..... L-6 to L-8
- Hot Water ..... L-8
- Pressure Washer Braided ..... L-8
- Hand Crank Hose Reel..... L-8

**Fire Hose..... L-9 to L-17**

- 300# Single Jacket All Polyester Fire ..... L-9
- 500# Single Jacket All Polyester Fire ..... L-10 to L-11
  - UL Labeled..... L-10
  - Color Impregnated ..... L-11
- 800# Double Jacket All Polyester Fire..... L-11
  - Impregnated..... L-11
- MSHA Approved Single Jacket Mine Fire..... L-12
- Double Jacket Potable Water Hose - Blue ..... L-12
- 500# All Polyester Rack..... L-13
  - UL Labeled..... L-13
  - non-UL Labeled ..... L-13
- 500# Nitrile Covered Fire Hose - Light Duty Red ..... L-13
- Forestry Non-Weeping ..... L-14
- Forestry Mop Up..... L-14
- Forestry Mop Up Kit..... L-14
- Nitrile Covered Fire Hose - Heavy Duty - Yellow ..... L-15
- Non-collapsible Chemical Booster Hose - Red ..... L-16
- Non-collapsible Fire and Utility Hose - Red ..... L-17

**Racks & Reels..... L-18 to L-26**

- Style V Swing Type Hose Storage Reels ..... L-18
- Swing Type Hose Storage Reels ..... L-19
- Heavy Duty Swing Type Hose Storage Reel ..... L-19
- Global Continuous Flow Reels ..... L-20
- Continuous Flow Reels ..... L-21
- Hump Racks ..... L-22
- Hose Racks ..... L-22
- Hung Up On Dixon® Hose Racks ..... L-22
- Pin Rack Hose Assembly ..... L-23
- Semi Automatic Fire Hose Pin Racks ..... L-23
- Steel Hose Cabinet ..... L-24
- Reelcraft® 5000 Series Spring Driven Hose Reels ..... L-25
- Reelcraft® 7000 Series ..... L-25
- Reelcraft® 80000 Series ..... L-26
- Adjustable Hose Bumper Stops..... L-26
- Reelcraft® 30,000 Manual Driven Hose Reels ..... L-26

**Garden Hose & Washdown..... L-27 to L-29**

- Contractors EPDM Water Hose..... L-27
- Rubber Vinyl Garden Hose..... L-27
- Premium EPDM Hose ..... L-27
- Flexogen® Hose ..... L-27
- Perfect Water Hose ..... L-28
- Premium Flexzilla® Garden Hose..... L-28
- Top Level PVC Hose ..... L-28
- Hot Water Rubber Reinforced Hose..... L-28
- Marine, Camper, Patio & Pool Hose..... L-29
- Country Club® RT Hose ..... L-29

**Flexible Tubing..... L-30 to L-33**

- PVC Tubing ..... L-30
- PVC Braided Tubing..... L-31
- D.O.T. Air Brake Tubing Rolls..... L-31
- Polyurethane Tubing..... L-32
- Polyethylene Tubing ..... L-32
- Nylon Tubing ..... L-32
- Legris Nylon Tubing ..... L-33
- Polyurethane - 95 Durometer Tubing ..... L-33
- Fluoropolymer FEP 140 Tubing ..... L-33

**Air Hose..... L-34 to L-35**

- Coil-Chief Self-Storing Air Hose ..... L-34
- Polyurethane Self-Storing Air Hose..... L-35
- Polyurethane Air Hose..... L-35

**Tubing & Hose Cutters ..... L-36**

**PTFE Hose ..... L-37 to L-38**

- Nominal ..... L-37
- True ID..... L-38

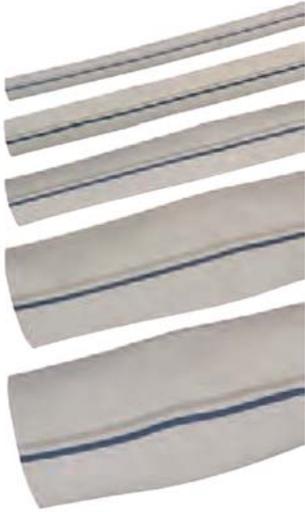
**Hose Protection ..... L-39 to L-42**

- Spiral Hose and Cable Protection ..... L-39
- Fiberglass Sleeving ..... L-40
- Kevlar® Protective Sleeves..... L-40
- Nylon Protective Sleeves - MSHA Accepted ..... L-40
- Fire Jacket for Hose ..... L-41
- Fire Jacket Tape ..... L-41
- Non Adhesive Fire Tape ..... L-41
- Spring Guard ..... L-42
- Continuous Spring Guard ..... L-42



## Synthetic Single Jacket Mill Hose

Hose & Tubing



**Application:**

- Used in open end water discharge applications only. Not intended for fire fighting service.



**Features:**

- outer construction: single jacket, all polyester
- tube construction: black, PVC rubber
- rated pressure: **250 PSI** at ambient temperature **70°F (21°C)**
- working pressure: **112 PSI** at ambient temperature **70°F (21°C)**
- Consult Dixon® for pricing and availability on 75' lengths and other threads and configurations.

**Uncoupled**

Size	Bowl	Length	Part #	Price/E
1"	1-1/4"	50'	<i>M10-50UC</i>	<b>\$91.55</b>
	1-1/4"	100'	<i>M10-100UC</i>	<b>183.00</b>
	1-1/4"	300'	<i>M10-300UC</i>	<b>480.10</b>
1½"	1-11/16"	25'	<i>M15-25UC</i>	<b>50.45</b>
	1-11/16"	50'	<i>M15-50UC</i>	<b>101.00</b>
	1-11/16"	100'	<i>M15-100UC</i>	<b>202.00</b>
2"	2-3/8"	25'	<i>M20-25UC</i>	<b>58.30</b>
	2-3/8"	50'	<i>M20-50UC</i>	<b>117.00</b>
	2-3/8"	100'	<i>M20-100UC</i>	<b>234.00</b>
2½"	2-11/16"	25'	<i>M25-25UC</i>	<b>80.75</b>
	2-11/16"	50'	<i>M25-50UC</i>	<b>161.00</b>
	2-11/16"	100'	<i>M25-100UC</i>	<b>323.00</b>
3"	3-3/8"	25'	<i>M30-25UC</i>	<b>96.60</b>
	3-3/8"	50'	<i>M30-50UC</i>	<b>193.00</b>
	3-3/8"	100'	<i>M30-100UC</i>	<b>387.00</b>
4"	4-3/8"	25'	<i>M40-25UC</i>	<b>147.00</b>
	4-3/8"	50'	<i>M40-50UC</i>	<b>294.00</b>
	4-3/8"	100'	<i>M40-100UC</i>	<b>588.00</b>
6"	6-3/8"	25'	<i>M60-25UC</i>	<b>259.00</b>
	6-3/8"	50'	<i>M60-50UC</i>	<b>518.00</b>



## Synthetic Single Jacket Mill Hose

**Application:**

- Used in open end water discharge applications only. Not intended for fire fighting service.



**Features:**

- outer construction: single jacket, all polyester
- tube construction: black, PVC rubber
- rated pressure: **250 PSI** at ambient temperature **70°F (21°C)**
- working pressure: **125 PSI** at ambient temperature **70°F (21°C)**
- Consult Dixon® for pricing and availability on 75' lengths and other threads and configurations.

**Coupled with NPSH female and male expansion ring couplings**

Size	Length	Part #	Price/E
1½"	50'	<i>M15-50RAS</i>	<b>\$194.75</b>
	100'	<i>M15100RAS</i>	<b>284.40</b>
2"	50'	<i>M20-50RAS</i>	<b>284.40</b>
	100'	<i>M20100RAS</i>	<b>383.30</b>
2½"	50'	<i>M25-50RAS</i>	<b>315.30</b>
	100'	<i>M25100RAS</i>	<b>474.50</b>



**Coupled with NST (NH) female and male expansion ring couplings**

Size	Length	Part #	Price/E
1½"	50'	<i>M15-50RAF</i>	<b>\$194.75</b>
	100'	<i>M15100RAF</i>	<b>284.40</b>
2½"	25'	<i>M25-25RAF</i>	<b>225.25</b>
	50'	<i>M25-50RAF</i>	<b>315.30</b>
	100'	<i>M25100RAF</i>	<b>474.50</b>



**Coupled with MNPT x MNPT male expansion ring couplings**

Size	Length	Part #	Price/E
1½"	50'	<i>M15-50RAT</i>	<b>\$234.40</b>
	100'	<i>M15100RAT</i>	<b>329.90</b>
2"	50'	<i>M20-50RAT</i>	<b>284.40</b>
	100'	<i>M20100RAT</i>	<b>393.80</b>



## Synthetic Single Jacket Mill Hose

**Application:**

- used in open end water discharge applications only, not intended for fire fighting service



**Features:**

- outer construction: single jacket, all polyester
- tube construction: black, PVC rubber
- Consult Dixon® for pricing and availability of additional lengths and other configurations.

**Coupled with NPSH female and male King™ short shank couplings, crimp sleeve, aluminum shank with brass pin lug swivel nut**



Size	Length	Working Pressure PSI at 70°F (21°C)	Part #	Price/E
1½"	25'	75	M15-25KAS	\$113.35
	50'	75	M15-50KAS	159.50
2"	25'	75	M20-25KAS	115.00
	50'	75	M20-50KAS	179.30
2½"	25'	50	M25-25KAS	177.90
	50'	50	M25-50KAS	230.30
3"	25'	50	M30-25KAS	203.75
	50'	50	M30-50KAS	291.10

**Coupled with NST (NH) female and male King™ short shank couplings, crimp sleeve, aluminum shank with brass pin lug swivel nut**



Size	Length	Working Pressure PSI at 70°F (21°C)	Part #	Price/E
1½"	25'	75	M15-25KAF	\$113.35
	50'	75	M15-50KAF	160.35
2½"	25'	50	M25-25KAF	177.90
	50'	50	M25-50KAF	254.70

**Coupled with female and male (C & E) global aluminum cam and groove, crimp sleeve**



Size	Length	Working Pressure PSI at 70°F (21°C)	Part #	Price/E
1½"	25'	112	M15-25GAX	\$124.75
	50'	112	M15-50GAX	185.25
2"	25'	112	M20-25GAX	142.35
	50'	112	M20-50GAX	199.40
2½"	25'	112	M25-25GAX	174.45
	50'	112	M25-50GAX	245.75
3"	25'	112	M30-25GAX	217.30
	50'	112	M30-50GAX	272.30
4"	25'	112	M40-25GAX	275.10
	50'	112	M40-50GAX	448.35

## Synthetic Double Jacket Mill Hose

**Application:**

- ideal for open end discharge applications, not intended for fire fighting service 

**Features:**

- outer construction: double jacket, all polyester
- tube construction: black, PVC rubber
- rated pressure: **250 PSI at 70°F (21°C)**
- working pressure: **200 PSI at 70°F (21°C)**
- double jacket hoses are **not** recommended for use with field reattachable couplings 
- Consult Dixon® for pricing and availability of additional lengths and other configurations.

**Uncoupled**

Size	Bowl	Length	Part #	Price/E
1½"	1-13/16"	50'	<b>DM15-50UC</b>	<b>\$181.00</b>
	1-13/16"	100'	<b>DM15-100UC</b>	<b>363.00</b>
2"	2-5/16"	50'	<b>DM20-50UC</b>	<b>223.00</b>
	2-5/16"	100'	<b>DM20-100UC</b>	<b>445.00</b>
2½"	2-7/8"	50'	<b>DM25-50UC</b>	<b>268.00</b>
	2-7/8"	100'	<b>DM25-100UC</b>	<b>537.00</b>



**Coupled with female and male NST (NH) thread, rocker lug, aluminum expansion ring couplings**

Size	Bowl	Length	Part #	Price/E
1½"	1-13/16"	50'	<b>DM15-50RAF</b>	<b>\$236.50</b>
	1-13/16"	100'	<b>DM15100RAF</b>	<b>435.85</b>
2½"	2-7/8"	50'	<b>DM25-50RAF</b>	<b>376.70</b>
	2-7/8"	100'	<b>DM25100RAF</b>	<b>647.55</b>



**Coupled with female and male NPSH thread, rocker lug, aluminum expansion ring couplings**

Size	Bowl	Length	Part #	Price/E
1½"	1-13/16"	50'	<b>DM15-50RAS</b>	<b>\$236.50</b>
	1-13/16"	100'	<b>DM15100RAS</b>	<b>435.85</b>
2"	2-5/16"	50'	<b>DM20-50RAS</b>	<b>314.40</b>
	2-5/16"	100'	<b>DM20100RAS</b>	<b>480.25</b>
2½"	2-7/8"	50'	<b>DM25-50RAS</b>	<b>371.55</b>
	2-7/8"	100'	<b>DM25100RAS</b>	<b>647.55</b>



**Coupled with female and male NPT thread, rocker lug, aluminum expansion ring couplings**

Size	Bowl	Length	Part #	Price/E
1½"	1-13/16"	50'	<b>DM15-50RAT</b>	<b>\$236.50</b>
	1-13/16"	100'	<b>DM15100RAT</b>	<b>435.85</b>
2"	2-5/16"	50'	<b>DM20-50RAT</b>	<b>314.40</b>
	2-5/16"	100'	<b>DM20100RAT</b>	<b>480.25</b>
2½"	2-7/8"	50'	<b>DM25-50RAT</b>	<b>371.55</b>



Nitrile Washdown Hose

**Applications:**

- ideal for industrial, agricultural and construction washdown and discharge applications, not for firefighting



**Features:**

- resistant to weather and abrasion
- working pressure: **200 PSI**

**Coupled with NPSH female and male expansion ring couplings**



Size	Length	Part #	Price/E
1½"	50'	<i>WDH15BK50RAS</i>	<b>\$325.10</b>
	100'	<i>WDH15BK100RAS</i>	<b>548.45</b>
2"	50'	<i>WDH20BK50RAS</i>	<b>394.60</b>
	100'	<i>WDH20BK100RAS</i>	<b>646.60</b>
2½"	50'	<i>WDH25BK50RAS</i>	<b>503.45</b>
	100'	<i>WDH25BK100RAS</i>	<b>646.60</b>

**Coupled with NST female and male expansion ring couplings**



Size	Length	Part #	Price/E
1½"	50'	<i>WDH15BK50RAF</i>	<b>\$325.10</b>
	100'	<i>WDH15BK100RAF</i>	<b>548.45</b>
2½"	25'	<i>WDH25BK25RAF</i>	<b>327.30</b>
	50'	<i>WDH25BK50RAF</i>	<b>503.45</b>
	100'	<i>WDH25BK100RAF</i>	<b>646.60</b>

**Coupled with MNPT x MNPT male expansion ring couplings**



Size	Length	Part #	Price/E
1½"	50'	<i>WDH15BK50RAT</i>	<b>\$325.10</b>
	100'	<i>WDH15BK100RAT</i>	<b>548.45</b>
2"	50'	<i>WDH20BK50RAT</i>	<b>394.60</b>
	100'	<i>WDH20BK100RAT</i>	<b>670.10</b>



Nitrile Washdown Hose

**Applications:**

- ideal for industrial, agricultural, chemical and construction washdown and discharge applications, not for firefighting 

**Feature:**

- resistant to weather and abrasion

**Coupled with NPSH female and male King™ short shank couplings, crimp sleeve, aluminum shank with brass pin lug swivel nut**

Size	Length	Part #	Price/E
1½"	25'	<i>WDH15BK25KAS</i>	<b>\$271.00</b>
	50'	<i>WDH15BK50KAS</i>	<b>325.10</b>
2"	25'	<i>WDH20BK25KAS</i>	<b>227.90</b>
	50'	<i>WDH20BK50KAS</i>	<b>353.90</b>
2½"	25'	<i>WDH25BK25KAS</i>	<b>310.70</b>
	50'	<i>WDH25BK50KAS</i>	<b>486.85</b>
3"	25'	<i>WDH30BK25KAS</i>	<b>408.95</b>
	50'	<i>WDH30BK50KAS</i>	<b>635.15</b>



**Coupled with NST (NH) female and male King™ short shank couplings, crimp sleeve, aluminum shank with brass pin lug swivel nut**

Size	Length	Part #	Price/E
1½"	25'	<i>WDH15BK25KAF</i>	<b>\$220.85</b>
	50'	<i>WDH15BK50KAF</i>	<b>332.50</b>
2½"	25'	<i>WDH25BK25KAF</i>	<b>328.50</b>
	50'	<i>WDH25BK50KAF</i>	<b>504.60</b>



**Coupled with female and male (C & E) global aluminum cam and groove, crimp sleeve**

Size	Length	Part #	Price/E
1½"	25'	<i>WDH15BK25GAX</i>	<b>\$187.60</b>
	50'	<i>WDH15BK50GAX</i>	<b>325.10</b>
2"	25'	<i>WDH20BK25GAX</i>	<b>255.55</b>
	50'	<i>WDH20BK50GAX</i>	<b>381.55</b>
2½"	25'	<i>WDH25BK25GAX</i>	<b>278.50</b>
	50'	<i>WDH25BK50GAX</i>	<b>454.65</b>
3"	25'	<i>WDH30BK25GAX</i>	<b>342.65</b>
	50'	<i>WDH30BK50GAX</i>	<b>568.90</b>
4"	25'	<i>WDH40BK25GAX</i>	<b>484.30</b>
	50'	<i>WDH40BK50GAX</i>	<b>777.85</b>



Nitrile Washdown Hose

Hose & Tubing

Applications:

- ideal for industrial, agricultural and construction washdown and discharge applications, not for firefighting 

Feature:

- resistant to weather and abrasion

Uncoupled



Size	Color	Bowl	Length	Working Pressure	Part #	Price/E	
1"	black	1 1/4"	50'	200 PSI	<i>WDH10BK50UC</i>	\$334.60	
	black	1 1/4"	100'		<i>WDH10BK100UC</i>	669.20	
	yellow	1 1/4"	100'		<i>WDH10Y100UC</i>	669.20	
	blue	1 1/4"	100'		<i>WDH10BL100UC</i>	669.20	
1 1/2"	black	1-13/16"	50'		<i>WDH15BK50UC</i>	225.95	
	black	1-13/16"	100'		<i>WDH15BK100UC</i>	451.90	
2"	black	2-5/16"	50'		<i>WDH20BK50UC</i>	251.40	
	black	2-5/16"	100'		<i>WDH20BK100UC</i>	502.80	
2 1/2"	black	2-13/16"	50'		<i>WDH25BK50UC</i>	352.15	
	black	2-13/16"	100'		<i>WDH25BK100UC</i>	704.30	
3"	black	3 3/8"	50'		150 PSI	<i>WDH30BK50UC</i>	601.80
	black	3 3/8"	100'			<i>WDH30BK100UC</i>	1203.60
4"	black	4 3/8"	50'	<i>WDH40BK50UC</i>		742.10	
	black	4 3/8"	100'	<i>WDH40BK100UC</i>		1484.20	
6"	black	6 3/8"	50'	<i>WDH60BK50UC</i>		977.45	
	black	6 3/8"	100'	<i>WDH60BK100UC</i>		1954.90	

Hot Water Washdown Hose

Features:

- smooth extruded Chlorobutyl tube
- white, wrapped Hypalon cover (.075" thick) with braided textile reinforcement
- furnished with internal stainless steel spring guards at both ends
- 3/4" male on one end and 1/2" male on the other
- working pressure: **250 PSI**
- maximum temperature: **200°F (93°C)**



Hose ID x Length	Part #	Price/E
5/8" x 25'	<i>SWDSHOSE25</i>	\$794.05
5/8" x 50'	<i>SWDSHOSE50</i>	1340.95

Pressure Washer Braided Hose



ID	Male Swivel Inlet	Male Swivel Outlet	Pressure Rating (PSI)	Length	Rubber	
					Part #	Price/E
3/8"	3/8"	3/8"	4,000	50'	<i>AR503830SSP</i>	\$242.65

Hand Crank Hose Reel

Features:

- working PSI: **3,000 PSI**
- maximum temperature: **160°F (71°C)**
- 3/8" outlet, 3/8" inlet
- includes jumper hose, mounting bracket and crank handle
- holds 100' of 3/8" pressure hose



Part #	Steel	Price/E
<i>AR-REEL100</i>		\$406.00

## 300# Single Jacket All Polyester Fire Hose

**Features:**

- outer construction: single jacket, all polyester
- tube construction: EPDM rubber lining
- proof pressure: **300 PSI**
- service test pressure: **150 PSI** at ambient temperature **70°F (21°C)**
- working pressure: **135 PSI** at ambient temperature **70°F (21°C)**
- 25' and 75' lengths, UL labeled hoses and other threads and configurations are available, contact Dixon®

**Uncoupled**

Size	Bowl	Length	Part #	Price/E
1½"	1-3/4"	50'	<b>A315-50UC</b>	<b>\$174.80</b>
	1-3/4"	100'	<b>A315-100UC</b>	<b>349.60</b>
2"	2-1/4"	50'	<b>A320-50UC</b>	<b>296.80</b>
	2-1/4"	100'	<b>A320-100UC</b>	<b>593.55</b>
2½"	2-13/16"	50'	<b>A325-50UC</b>	<b>369.85</b>
	2-13/16"	100'	<b>A325-100UC</b>	<b>612.50</b>
3"	3-3/8"	50'	<b>A330-50UC</b>	<b>498.85</b>
	3-3/8"	100'	<b>A330-100UC</b>	<b>997.70</b>



**Coupled with female and male expansion ring couplings**

Size	Length	Part #	Rocker Lug Aluminum NST (NH)	Rocker Lug Brass NST (NH)	Rocker Lug Aluminum NPSH
			<b>RAF</b>	<b>RBF</b>	<b>RAS</b>
1½"	50'	<b>A315-50</b>	<b>\$266.25</b>	<b>\$336.80</b>	<b>\$266.25</b>
	100'	<b>A315100</b>	<b>460.95</b>	<b>530.35</b>	<b>460.95</b>
2"	50'	<b>A320-50</b>	---	---	<b>566.60</b>
	100'	<b>A320100</b>	---	---	<b>901.70</b>
2½"	50'	<b>A325-50</b>	<b>430.10</b>	<b>664.55</b>	<b>430.10</b>
	100'	<b>A325100</b>	<b>828.75</b>	<b>1001.30</b>	<b>828.75</b>
3"	50'	<b>A330-50</b>	---	---	<b>841.95</b>
	100'	<b>A330100</b>	---	---	<b>1365.85</b>



### 500# Single Jacket All Polyester Fire Hose

**Features:**

- outer construction: single jacket, all polyester
- tube construction: EPDM rubber lining
- proof pressure: **500 PSI**
- service test pressure: **250 PSI** at ambient temperature **70°F (21°C)**
- working pressure: **225 PSI** at ambient temperature **70°F (21°C)**
- other threads and configurations are available, contact Dixon®



**Uncoupled**

Size	Bowl	Length	Part #	Price/E
1"	1-1/4"	50'	<b>A510-50UC</b>	<b>\$173.65</b>
	1-1/4"	100'	<b>A510-100UC</b>	<b>330.80</b>
1½"	1-3/4"	50'	<b>A515-50UC</b>	<b>204.50</b>
	1-3/4"	100'	<b>A515-100UC</b>	<b>382.10</b>
2½"	2-13/16"	50'	<b>A525-50UC</b>	<b>369.85</b>
	2-13/16"	100'	<b>A525-100UC</b>	<b>644.80</b>

**Coupled with female and male expansion ring couplings**



Size	Length	Part #	Rocker Lug Aluminum NST (NH) RAF	Rocker Lug Brass NST (NH) RBF	Rocker Lug Aluminum NPSH RAS
1"	50'	<b>A510-50</b>	---	---	<b>\$287.35</b>
	100'	<b>A510100</b>	---	---	<b>484.00</b>
1½"	25'	<b>A515-25</b>	<b>\$213.80</b>	---	<b>213.80</b>
	50'	<b>A515-50</b>	<b>281.45</b>	<b>\$337.65</b>	<b>281.45</b>
	75'	<b>A515-75</b>	<b>382.35</b>	---	---
	100'	<b>A515100</b>	<b>462.10</b>	<b>525.15</b>	<b>462.10</b>
2½"	25'	<b>A525-25</b>	<b>353.10</b>	---	<b>353.10</b>
	50'	<b>A525-50</b>	<b>472.15</b>	<b>664.55</b>	<b>472.15</b>
	75'	<b>A525-75</b>	<b>542.65</b>	---	---
	100'	<b>A525100</b>	<b>828.75</b>	<b>1001.30</b>	<b>828.75</b>



### 500# Single Jacket Fire Hose - UL labeled

**Features:**

- outer construction: single jacket, all polyester
- tube construction: EPDM rubber lining
- proof pressure: **500 PSI**
- service test pressure: **250 PSI** at ambient temperature **70°F (21°C)**
- working pressure: **225 PSI** at ambient temperature **70°F (21°C)**
- Underwriters Listed
- impregnated hose and other lengths threads and configurations are available, contact Dixon®



**Coupled with female and male expansion ring couplings**

Size	Coupling Type	Length	NST Thread Part #	Price/E
1½"	combo lug, brass	50'	<b>A515U50CBF</b>	<b>\$378.60</b>
2½"	combo lug, brass	50	<b>A525U50CBF</b>	<b>610.00</b>

## 500# Single Jacket Fire Hose - Color Impregnated

**Features:**

- outer construction: single jacket, all polyester
- tube construction: EPDM rubber lining
- proof pressure: **500 PSI**
- service test pressure: **250 PSI**
- working pressure: **225 PSI** at ambient temperature **70°F (21°C)**
- consult Dixon® for pricing and availability of other colors, lengths, threads and configurations

**Coupled with female and male expansion ring couplings**

Size	Coupling Type	Length	Color	Part #	Price/E
1½"	rocker lug, aluminum, NST (NH)	50'	yellow	<b>A515Y50RAF</b>	<b>\$368.00</b>
	rocker lug, aluminum, NPSH	50'	yellow	<b>A515Y50RAS</b>	<b>368.00</b>
	rocker lug, aluminum, NST (NH)	50'	red	<b>A515R50RAF</b>	<b>368.00</b>
	rocker lug, aluminum, NPSH	50'	red	<b>A515R50RAS</b>	<b>368.00</b>
	rocker lug, aluminum, NST (NH)	50'	orange	<b>A515OR50RAF</b>	<b>368.00</b>
	rocker lug, aluminum, NPSH	50'	orange	<b>A515OR50RAS</b>	<b>368.00</b>



orange



red

## 800# Double Jacket All Polyester Fire Hose

**Features:**

- outer construction: double jacket, all polyester
- tube construction: EPDM rubber lining
- proof pressure: **800 PSI**
- service test pressure: **400 PSI**
- working pressure: **360 PSI** at ambient temperature **70°F (21°C)**
- consult Dixon™ for pricing and availability of 75' lengths and other threads and configurations

**Coupled with female and male expansion ring couplings**

Size	Length	Part #	Rocker Lug Aluminum NST (NH) RAF	Rocker Lug Brass NST (NH) RBF	Rocker Lug Aluminum NPSH RAS
1½"	25'	<b>D815-25</b>	<b>\$249.50</b>	---	---
	50'	<b>D815-50</b>	<b>349.90</b>	<b>\$390.95</b>	<b>\$349.90</b>
	100'	<b>D815100</b>	<b>656.70</b>	<b>633.35</b>	<b>656.70</b>
2½"	25'	<b>D825-25</b>	<b>419.95</b>	---	---
	50'	<b>D825-50</b>	<b>635.95</b>	<b>784.65</b>	<b>635.95</b>
	100'	<b>D825100</b>	<b>958.15</b>	<b>1232.80</b>	<b>958.15</b>



## 800# Double Jacket Fire Hose - Impregnated

**Features:**

- outer construction: double jacket, all polyester
- tube construction: black, synthetic rubber liner
- proof pressure: **800 PSI** at **70°F (21°C)**
- service test pressure: **400 PSI** at **70°F (21°C)**
- working pressure: **360 PSI** at **70°F (21°C)**
- other lengths, threads and couplings and colors (yellow, red, blue, tan, orange, green, black) are available, contact Dixon®

**Coupled with female & male expansion ring couplings**

Size	Coupling Type	Length	Part #	Price/E
1½"	rocker lug, aluminum NST (NH)	50'	<b>D815Y50RAF</b>	<b>\$413.00</b>
	rocker lug, aluminum NST (NH)	100'	<b>D815Y100RAF</b>	<b>722.70</b>
	rocker lug, aluminum NPSH	50'	<b>D815Y50RAS</b>	<b>413.00</b>
	rocker lug, aluminum NPSH	100'	<b>D815Y100RAS</b>	<b>722.70</b>
2½"	rocker lug, aluminum NST (NH)	50'	<b>D825Y50RAF</b>	<b>715.65</b>
	rocker lug, aluminum NST (NH)	100'	<b>D825Y100RAF</b>	<b>1298.95</b>



## MSHA Approved Single Jacket Mine Fire Hose

Hose & Tubing



**Specification:**

- approved by MSHA: Mine Safety and Health Administration for all mine fire protection applications

**Features:**

- outer construction: single jacket, synthetic flame resistant
- tube construction: flame resistant lining
- proof pressure: **500 PSI at 70°F (21°C)**
- service test pressure: **250 PSI at 70°F (21°C)**
- working pressure: **225 PSI at 70°F (21°C)**

**Coupled with female and male aluminum rocker lug expansion ring couplings**

Size	Thread	Length	Part #	Price/E
1½"	NST (NH)	50'	<b>SM515W50RAF</b>	<b>\$561.05</b>
	NPSH	50'	<b>SM515W50RAS</b>	<b>561.05</b>

## Double Jacket Potable Water Hose - Blue

**Features:**

- Liner is NSF approved for potable water, fittings are not, except for temporary / emergency drinking needs only.
- outer construction: double jacket, all polyester
- tube construction: thermoplastic
- proof pressure: **600 PSI at 70°F (21°C)**
- service test pressure: **300 PSI at 70°F (21°C)**
- working pressure: **270 PSI at 70°F (21°C)**



**Coupled with female and male, brass or aluminum rocker lug, expansion ring couplings**

Size	Thread	Length	Brass		Aluminum	
			Expansion Ring Part #	Price/E	Expansion Ring Part #	Price/E
1½"	NPSH	50'	<b>PW615B50RBS</b>	<b>\$514.75</b>	<b>PW615B50RAS</b>	<b>\$484.00</b>
		100'	<b>PW615B100RBS</b>	<b>959.20</b>	<b>PW615B100RAS</b>	<b>859.10</b>
	NST (NH)	50'	<b>PW615B50RBF</b>	<b>514.75</b>	<b>PW615B50RAF</b>	<b>484.00</b>
		100'	<b>PW615B100RBF</b>	<b>959.20</b>	<b>PW615B100RAF</b>	<b>859.10</b>
2½"	NPSH	50'	<b>PW625B50RBS</b>	<b>1019.35</b>	<b>PW625B50RAS</b>	<b>761.75</b>
		100'	<b>PW625B100RBS</b>	<b>1647.75</b>	<b>PW625B100RAS</b>	<b>1363.10</b>
	NST (NH)	50'	<b>PW625B50RBF</b>	<b>1019.35</b>	<b>PW625B50RAF</b>	<b>761.75</b>
		100'	<b>PW625B100RBF</b>	<b>1647.75</b>	<b>PW625B100RAF</b>	<b>1363.10</b>

## 500# All Polyester Rack Hose - UL Labeled



**Application:**

- for pin rack service / emergency fire fighting only, not to be used for washdown

**Features:**

- outer construction: single jacket, all polyester
- tube construction: clear thermoplastic
- proof pressure: **300 PSI at ambient temperature 70°F (21°C)**
- service test pressure: **150 PSI at ambient temperature 70°F (21°C)**
- working pressure: **135 PSI at ambient temperature 70°F (21°C)**
- Underwriters Listed

**Coupled with female and male expansion ring couplings**

Size	Coupling Type	Length	Folded		Coiled	
			Part #	Price/E	Part #	Price/E
1½"	combo lug, brass NST (NH)	50'	<b>R515U50CBF/F</b>	<b>\$274.95</b>	<b>R515U50CBF</b>	<b>\$274.95</b>
	combo lug, brass NST (NH)	100'	<b>R515U100CBF/F</b>	<b>486.85</b>	<b>R515U100CBF</b>	<b>486.85</b>
	combo lug, alum. NST (NH)	50'	<b>R515U50RAF/F</b>	<b>258.60</b>	<b>R515U50RAF</b>	<b>258.60</b>
	combo lug, alum. NST (NH)	100'	<b>R515U100RAF/F</b>	<b>458.20</b>	---	---

500# All Polyester Rack Hose - non-UL Labeled

**Application:**

- for pin rack service / emergency fire fighting only, not to be used for washdown

**Features:**

- outer construction: single jacket, all polyester
- tube construction: clear thermoplastic
- proof pressure: **500 PSI** at ambient temperature **70°F (21°C)**
- service test pressure: **250 PSI** at ambient temperature **70°F (21°C)**
- working pressure: **225 PSI** at ambient temperature **70°F (21°C)**

**Coupled with female and male expansion ring couplings**

Size	Coupling Type	Length	Folded		Coiled	
			Part #	Price/E	Part #	Price/E
1½"	combo lug, brass NST (NH)	50'	<b>R515-50CBF/F</b>	<b>\$252.35</b>	<b>R515-50CBF</b>	<b>\$252.35</b>
	combo lug, brass NST (NH)	100'	<b>R515100CBF/F</b>	<b>402.35</b>	<b>R515100CBF</b>	<b>402.35</b>
	combo lug, alum. NST (NH)	50'	<b>R515-50RAF/F</b>	<b>227.90</b>	<b>R515-50RAF</b>	<b>239.30</b>
	combo lug, alum. NST (NH)	100'	<b>R515100RAF/F</b>	<b>378.00</b>	<b>R515100RAF</b>	<b>355.95</b>



Hose & Tubing

500# Nitrile Covered Fire Hose - Light Duty Red

**Application:**

- ideal for industrial and construction washdown and discharge applications

**Features:**

- outer construction: thin ribbed nitrile
- tube construction: nitrile
- proof pressure: **500 PSI** at ambient temperature **70°F (21°C)**
- service test pressure: **250 PSI** at ambient temperature **70°F (21°C)**
- working pressure: **225 PSI** at ambient temperature **70°F (21°C)**
- other colors, threads and configurations are available, consult Dixon®

**Uncoupled**

Size	Bowl	Length	Part #	Price/E
1½"	1-13/16"	50'	<b>H515R50UC</b>	<b>\$429.70</b>
2½"	2-13/16"	50'	<b>H525R50UC</b>	<b>663.00</b>
1½"	1-13/16"	100'	<b>H515R100UC</b>	<b>781.20</b>
2½"	2-13/16"	100'	<b>H525R100UC</b>	<b>1147.25</b>



**Coupled with female and male expansion ring couplings**

Size	Length	Part #	Rocker Lug Aluminum NST (NH) RAF	Rocker Lug Brass NST (NH) RBF	Rocker Lug Aluminum NPSH RAS
1½"	50'	<b>H515R50</b>	<b>\$488.95</b>	<b>\$540.80</b>	<b>\$488.95</b>
2½"	50'	<b>H525R50</b>	<b>799.85</b>	<b>876.70</b>	<b>799.85</b>
1½"	100'	<b>H515R100</b>	<b>1016.65</b>	---	<b>1016.65</b>
2½"	100'	<b>H525R100</b>	<b>1386.00</b>	---	---



## Forestry Non Weeping Fire Hose



**Features:**

- outer construction: single jacket, all polyester
- tube construction: thermoplastic
- impregnation: yellow
- proof pressure: **600 PSI** at ambient temperature **70°F (21°C)**
- service test pressure: **300 PSI** at ambient temperature **70°F (21°C)**
- working pressure: **270 PSI** at ambient temperature **70°F (21°C)**
- consult Dixon® for pricing and availability of 25' lengths, other threads and configurations

**Coupled with female and male expansion ring couplings**

Size	Length	Part #	Rocker Lug Aluminum NST (NH) RAF	Rocker Lug Aluminum NPSH RAS
1"	50'	<b>NF610Y50</b>	<b>\$313.65</b>	---
1"	100'	<b>NF610Y100</b>	<b>517.20</b>	---
1½"	50'	<b>NF615Y50</b>	---	<b>\$372.85</b>
1½"	100'	<b>NF615Y100</b>	---	<b>625.00</b>

## Forestry Mop Up Hose

**Application:**

- used on mop-up and low volume hand lines to fill pump cans supplying sprinklers and remote fire line protection

**Features:**

- 50' coil diameter is 9"
- outer construction: single jacket, synthetic
- tube construction: thermoplastic
- impregnation: yellow
- proof pressure: **300 PSI** at ambient temperature **70°F (21°C)**
- service test pressure: **150 PSI** at ambient temperature **70°F (21°C)**
- working pressure: **135 PSI** at ambient temperature **70°F (21°C)**
- consult Dixon™ for pricing and availability of other threads and configurations



**Coupled with female and male brass ferrule type garden hose couplings**

Size	Length	Part #	Price
¾"	50'	<b>NF307Y50GHT</b>	<b>\$221.25</b>
1½"	50'	<b>NF615-50RAQT</b> <sup>1</sup>	<b>360.85</b>
1½"	100'	<b>NF615100RAQT</b> <sup>1</sup>	<b>589.95</b>

<sup>1</sup> coupled with quarter turn forestry couplings

## Forestry Mop Up Hose Kit



Description	Part #	Price
kit contains: hose, pouch and nozzle	<b>NF307Y50GHT-KIT</b>	<b>\$355.10</b>

## Nitrile Covered Fire Hose - Heavy Duty - Yellow

**Applications:**

- ideal for heavy-duty washdown in refineries and power plants

**Features:**

- extruded interlocking matrix fire hose with 100% synthetic circular woven polyester reinforcement
- heavy ribbed for severe service
- outer construction: thick ribbed nitrile
- tube construction: nitrile
- 25' lengths, other colors, threads and configurations are available, contact Dixon®
- Pressures supplied in the chart below are at ambient temperature 70°F (21°C).

Size	Proof Pressure PSI	Service Test Pressure PSI	Working Pressure PSI
1" - 3"	<b>600</b>	<b>300</b>	<b>270</b>
4"	<b>450</b>	<b>225</b>	<b>200</b>
5"	<b>400</b>	<b>200</b>	<b>180</b>
6"	<b>300</b>	<b>150</b>	<b>135</b>

**Uncoupled**

Size	Bowl	Length	Part #	Price/E
1"	1-1/4"	50'	<b>H610Y50UC</b>	<b>\$332.20</b>
1½"	1-13/16"	50'	<b>H615Y50UC</b>	<b>499.15</b>
2"	2-1/4"	50'	<b>H620Y50UC</b>	<b>622.45</b>
2½"	2-13/16"	50'	<b>H625Y50UC</b>	<b>751.70</b>
3"	3-3/8"	50'	<b>H630Y50UC</b>	<b>844.95</b>
4"	4-3/8"	50'	<b>H440Y50UC</b>	<b>1108.85</b>
5"	5-3/8"	50'	<b>H450Y50UC</b>	<b>1111.10</b>



**Coupled with female and male expansion ring couplings**

Size	Length	Part #	Rocker Lug Aluminum NST (NH) RAF	Rocker Lug Brass NST (NH) RBF	Pin Lug Brass NST (NH) PBF	Rocker Lug Aluminum NPSH RAS
1"	50'	<b>H610Y50</b>	<b>\$498.30</b>	---	---	<b>\$498.30</b>
1½"	50'	<b>H615Y50</b>	<b>572.75</b>	<b>\$631.45</b>	<b>\$730.70</b>	<b>572.75</b>
2½"	50'	<b>H625Y50</b>	<b>920.10</b>	<b>982.20</b>	<b>1052.40</b>	<b>920.10</b>



**Coupled with female and male segmented Storz collar style couplings**

**Features:**

- working pressures can be achieved using appropriate expansion ring couplings
- under no circumstance should the hose be used beyond the working pressure of the fittings to which it is coupled
- assembled hose should be hydrostatically proof tested before use, and thereafter in accordance with NFPA 1962



Size	Length	Storz Size	Part #	Price/E
4"	50'	4"	<b>H440Y50SZ</b>	<b>\$1575.60</b>
5"	50'	5"	<b>H450Y50SZ</b>	<b>1858.25</b>
5"	100'	5"	<b>H450Y100SZ</b>	<b>3154.05</b>



Non-collapsible Chemical Booster Hose - Red

**Features:**

- outer cover material: specially compounded red EPDM tough cover
- inner tube material: smooth black synthetic EPDM rubber
- reinforced with multiple plies of high tensile Aramid yarn providing flexible strength
- ¾" diameter hose is coupled with 1" threaded couplings
- meets and exceeds NFPA standard 1961
- working pressure: **800 PSI**



**Coupled with female and male NST (NH) thread, chromed brass hole type couplings**

Size	Length	Part #	Price/E
¾"	50'	<b>80B07-50HCF</b>	<b>\$1191.30</b>
	100'	<b>80B07-100HCF</b>	<b>1901.50</b>
1"	50'	<b>80B10-50HCF</b>	<b>1431.85</b>
	100'	<b>80B10-100HCF</b>	<b>2348.20</b>

**Coupled with female and male NST (NH) thread, hole type coupling, aluminum expansion ring couplings**

Size	Length	Part #	Price/E
¾"	50'	<b>80B07-50HAF</b>	<b>\$896.25</b>
	100'	<b>80B07-100HAF</b>	<b>1701.00</b>
1"	50'	<b>80B10-50HAF</b>	<b>1096.80</b>
	100'	<b>80B10-100HAF</b>	<b>2147.75</b>



Non-collapsible Fire and Utility Hose - Red

Features:

- outer construction is designed to withstand abrasion
- working pressure: **200 PSI** at ambient temperature **70°F (21°C)**
- burst pressure: **600 PSI** at ambient temperature **70°F (21°C)**
- consult Dixon® for pricing and availability of other lengths, threads and configurations
- also available with chrome brass fittings

**Coupled with female and male NST (NH) thread, rocker lug, brass expansion ring couplings**

Size	Length	Part #	Price/E
1½"	50'	<b>15B15-50RBF</b>	<b>\$1173.10</b>
	100'	<b>15B15-100RBF</b>	<b>1953.70</b>



**Coupled with female and male NST (NH) thread, rocker lug, aluminum expansion ring couplings**

Size	Length	Part #	Price/E
1½"	50'	<b>15B15-50RAF</b>	<b>\$864.85</b>
	100'	<b>15B15-100RAF</b>	<b>1450.00</b>



**Coupled with female and male NPSH thread, rocker lug, aluminum expansion ring couplings**

Size	Length	Part #	Price/E
1½"	50'	<b>15B15-50RAS</b>	<b>\$864.85</b>
	100'	<b>15B15-100RAS</b>	<b>1450.00</b>



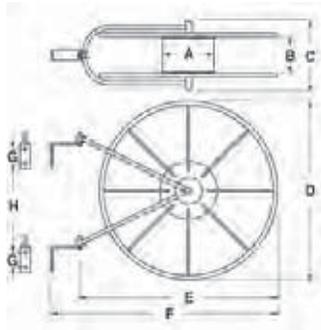
## Style V Swing Type Hose Storage Reels

Hose & Tubing



**Features:**

- drum storage of collapsible hose prevents damaging kinks allowing longer hose life
- pivot mounting permits reel to swing to the proper angle preventing twists and kinks
- open sides allow faster hose drying, to prevent mold and mildew
- red polyester powder coat finish
- wall mounting is standard, 2 wall mounting brackets included
- style V5 (when used with 1½" hose only), has a space between the reel sides to accommodate two widths of hose side by side, for maximum capacity in minimum space
- replacement brackets - **1212-0930-4**, 2 per set



Size	Hose Capacity			A	B	C	D	E	F	G	H	Steel	
	Rack	Single	Double									Part #	Price/E
1½" - 1¾"	100'	75'	50'	8"	3"	7½"	21"	23"	27"	2"	11⅜"	<b>FHR-V1</b>	<b>\$250.00</b>
1½" - 1¾"	150'	100'	75'	8"	3"	7½"	26"	29"	33"	2"	15"	<b>FHR-V2</b>	<b>250.00</b>
1½"	300'	200'	150'	8"	5½"	9½"	26"	30"	34"	2"	13"	<b>FHR-V5</b>	<b>282.00</b>
2" - 2½"	150'	100'	75'	8"	5½"	9½"	26"	30"	34"	2"	13"	<b>FHR-V5</b>	<b>282.00</b>

### Covers for Style V Swing Type Hose Storage Reels

**Features:**

- Velcro™ closures
- printed on both sides



Cover for	Dimensions	Vinyl Coated Nylon	
		Part #	Price/E
FHR-V2	26"	<b>FHR-C</b>	<b>\$69.60</b>
FHR-V1	21"	<b>FHR-C1</b>	<b>62.50</b>
FHR-V5	26"	<b>HSRC26</b>	<b>69.60</b>



## Swing Type Hose Storage Reels

**Features:**

- one piece wall bracket (14 gauge), for easier mounting
- 180° swing will also take pipe clamps to 3"
- compact size - smaller reel hub to allow more hose storage
- baked red enamel finish
- 14 gauge steel support arms
- welded construction - rim (18 gauge) hub cap, welded spokes form solid wheels, separated by a molded poly hub and bolted together to form a sturdy unit
- hose is double rolled from the center of length coupled to valve and nozzle
- hose is ready for action when completely removed and valve is open

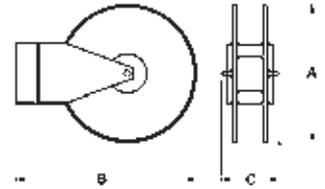
Hose Size	Hose Capacity		Part #	Steel	Price/E
	Lightweight	Rubber Lined			
1½"	150'	50' - 75'	<b>HSR18</b>		<b>\$276.95</b>
	250'	100'	<b>HSR24</b>		<b>332.50</b>
2½"	100'	100'	<b>HSR25-24</b>		<b>502.85</b>

**Dimensions**

Cover for	A	B	C
HSR18	18"	23½"	6¼"
HSR24	24"	29"	6¼"
HSR25-24	24"	29"	8¼"



Hose &amp; Tubing

**Covers for Swing Type Hose Reels****Features:**

- to be used with hose storage reels, bright red fabric reinforced PVC with Velcro™ closures for quick release
- "Fire Hose / Keep Clear" printed on one side

Cover for	Dimensions	Part #	Vinyl	Price/E
HSR24	24"	<b>HSRC24</b>	<b>62.75</b>	
HSR25-24	24" - 25"	<b>HSRC25-24</b>	<b>60.45</b>	



## Heavy Duty, High Capacity Swing Type Hose Storage Reel

**Features:**

- welded steel wall bracket swings 180°
- wall bracket adapts to pipes (1½" - 3") with an optional pipe bracket kit
- red baked enamel finish
- supplied with hook-and-loop back strap to keep hose securely wound

Size	Hose Capacity		Part #	16-gauge steel	Price/E
	Single Jacket	Double Jacket			
1½"	200'	150'	<b>DXHDR25HC</b>		<b>\$1023.20</b>
2½"	100'	75'			

**Cover for Heavy Duty Swing Type Hose Storage Reel****Features:**

- to be used with hose storage reels
- "Fire Hose / Keep Clear" printed on one side

Cover for	Dimensions	Part #	Vinyl	Price/E

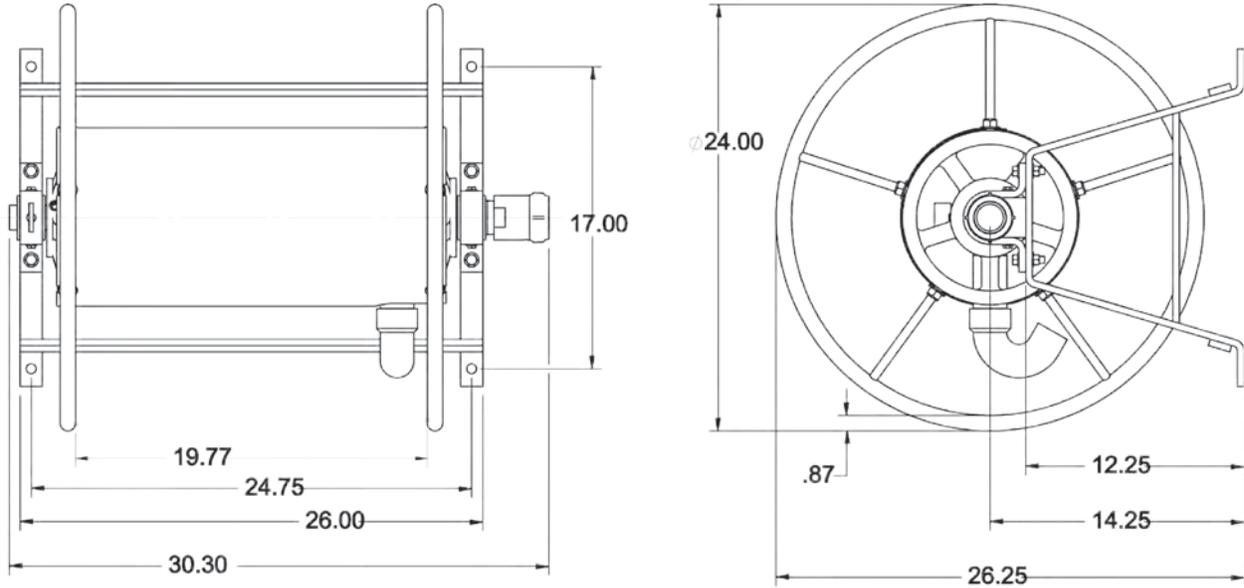
**Pipe Brackets for Heavy Duty Swing Type Hose Storage Reel**

Description	Part #	Vinyl	Price/E



Global Continuous Flow Reels

Hose & Tubing



Features:

- greaseless swivel and reel bearings improve performance
- optional adapters (order separately):  
 FM15S15F = 1½" FNPSH x 1½" MNST brass  
 FM1515F = 1½" FNPT x 1½" MNST brass
- replacement inlet swivel joints at bottom of page

Hose Size and Capacity			Inlet Size	Outlet Size	Steel	
¾"	1"	1½"			Part #	Price/E
250'	150'	100'	1½" NPT	1½" NPT	<b>FD47IR-150-100</b>	<b>\$1240.00</b>

Cover for Global Continuous Flow Hose Reel



Cover for	Dimensions	Part #	Vinyl	Price/E
FD47IR-150-100	22" x 24" x 24"	<b>FD47-C2</b>		<b>\$195.00</b>

Replacement Inlet Swivel Joint for FD471-150-100

Features:

- ball-bearing swivel
- requires no lubrication
- **200 PSI**



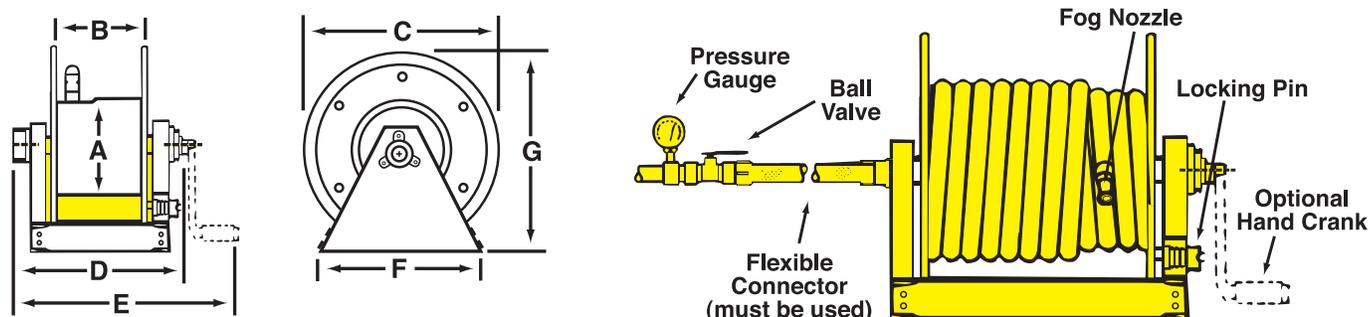
Size	Cast Brass	
	Part #	Price/E
1½"	<b>CSSF150T</b>	<b>\$185.40</b>

## Continuous Flow Reels

**Features:**

- allows immediate and continuous flow of water at all times during deployment of hose
- one-person operation
- use with non-collapsible hose shown on page K-17
- powder coated with an electrostatically-applied, thermally-fused, red polyester finish steel drum
- rims and universal mounting stand
- female NPT inlet with male NST (NH) hose thread outlet

A flexible connector assembly must be installed directly between the hose reel inlet hub and the water supply. *Failure to use the flexible connector assembly will void the warranty.* 



Hose Size and Capacity			A	B	C	D	E	F	G	Inlet Size	Outlet Size	Steel Part #	Price/E
3/4"	1"	1 1/2"											
150'	125'	---	10 1/2"	11 1/2"	24"	19 1/4"	24"	21 3/4"	26"	1"	1"	<b>CFR47-1-100</b>	<b>\$2130.55</b>
250'	150'	100'	10 1/2"	20 1/2"	24"	28 1/4"	33"	21 3/4"	26"	1 1/2"	1 1/2"	<b>CFR47-150-100</b>	<b>2130.55</b>
400'	300'	150'	10 1/2"	28"	24"	35 3/4"	40 1/2"	21 3/4"	26"	1 1/2"	1 1/2"	<b>CFR47-1-200</b>	<b>2205.00</b>
---	---	200'	10 1/2"	34"	24"	41 3/4"	46 1/2"	21 3/4"	26"	1 1/2"	1 1/2"	<b>CFR47-150-200</b>	<b>2233.65</b>

### Optional Accessories

Description	Part #	Price/E
1" x 18" flexible connector (male NPT x male NPT)	<b>DX2836</b>	<b>\$189.00</b>
1 1/2" x 18" flexible connector (male NPT x male NPT)	<b>DX2839</b>	<b>189.00</b>
hand crank	<b>CFR-HC</b>	<b>150.00</b>
repair kit: contains O-ring, PTFE retaining ring for the inlet casting, spacer washer, and 2 steel retaining rings for the manifold	<b>CFR-RK</b>	<b>128.00</b>

### Covers for Continuous Flow Hose Reels

Cover for	Dimensions H x W x D	Part #	Vinyl Price/E
CFR47-1-100	26" x 20" x 26"	<b>CFR47-C1</b>	<b>\$136.90</b>
CFR47-1-200	26" x 36" x 26"	<b>CFR47-C2</b>	<b>186.45</b>
CFR47-150-100	26" x 29" x 26"	<b>CFR47-C3</b>	<b>182.00</b>
CFR47-150-200	26" x 42" x 26"	<b>CFR47-C4</b>	<b>202.80</b>



Hump Racks

Hose & Tubing



Features:

- compact, neat and economical method of storing collapsible hose
- pivot mounting permits rack to swing, preventing kinks and twists
- rugged steel construction provides long, dependable service
- red enamel finish for protection
- open sides allow faster drying to prevent mold and mildew
- wall mounting brackets are standard

Hose Size	Hose Capacity			Steel	
	Synthetic	Single Jacket	Double Jacket	Part #	Price/E
1½" - 1¾"	100'	50'	---	<b>FHHR-1</b>	<b>\$220.00</b>
1½" - 1¾"	150'	100'	50'	<b>FHHR-3</b>	<b>321.25</b>
2" - 2½"	100'	50'	---	<b>FHHR-2</b>	<b>220.00</b>
2" - 2½"	150'	100'	50'	<b>FHHR-4</b>	<b>327.30</b>
1½" - 1¾"	200'	150'	100'	<b>FHHR-5</b>	<b>340.65</b>

Covers for Hump Racks



Cover for	Dimensions	Part #	Vinyl	Price/E
FHHR-1 or FHHR-2	16" x 25½" x 6"	<b>FHHR-C</b>		<b>\$118.90</b>
FHHR-3 or FHHR-4	24" x 29½" x 6"	<b>FHHR-C4</b>		<b>139.30</b>
FHHR-5	33½" x 35½" x 6"	<b>FHHR-C5</b>		<b>148.15</b>

Hose Racks

Features:

- can be used for fire or water hose
- constructed from 12 gauge sheet steel
- provides compact and economical hose storage
- curved saddle design avoids sharp bends in the hose prolonging hose life
- red enamel finish



Hose Size	Rack	Hose Capacity		Steel	
		Single Jacket	Double Jacket	Part #	Price/E
1½" - 1¾"	50'	---	---	<b>HR1610-3</b>	<b>\$110.65</b>
1½" - 1¾"	100'	---	---	<b>HR1610-6</b>	<b>130.15</b>
1½" - 2½"	200'	150'	100'	<b>HR1610</b>	<b>162.80</b>
2" - 2½"	50'	---	---	<b>HR1610-4</b>	<b>119.45</b>

Hung Up On Dixon® Hose Racks



single hose rack

Application:

- used to store fire or water hose

Features:

- 5 pre-drilled 5/16" mounting holes for easy mounting
- two racks can be bolted face to face to create extra hose capacity



double hose rack  
(hose not included)

Description	Dimensions	Part #	Aluminum	Price/E
single hose rack	19-1/2" x 6" x 9-3/16"	<b>DHR1</b>		<b>\$222.30</b>
double hose rack	19-1/2" x 12" x 9-3/16"	<b>DHR2</b>		<b>460.00</b>

## Pin Rack Hose Assembly



## Features:

- components include: rack nipple, UL **300 PSI** angle valve, semi-automatic fire hose pin rack, brass rack nozzle, and a length of 1½" pin rack hose
- UL listed and Factory Mutual approved
- per NFPA 1962, Chap. 4, in-service hose shall be un-racked and physically inspected at least annually



NST (NH) Thread	Hose	Part #	Price/E
1½"	50'	<b>FHPR150-50CBF</b>	<b>\$973.65</b>
	75'	<b>FHPR150-75CBF</b>	<b>1071.00</b>
	100'	<b>FHPR150-100CBF</b>	<b>1088.20</b>



Hose &amp; Tubing

## Semi Automatic Fire Hose Pin Racks

## Features:

- red steel enameled
- holds up to 100' of either 1½" or 2½" rack hose
- 1½" is UL listed and Factory Mutual approved

Hose Size	For use with:		Part #	Steel	Price/E
	Valve	Nipple			
1½"	AVF150	PRN150F	<b>FHPR150</b>		<b>\$151.50</b>
2½"	AVF250	PRN250F	<b>FHPR2515</b>		<b>183.30</b>



## Covers for Pin Racks

## Features:

- 10 oz. red vinyl with Velcro™ closures
- used on FHPR150, FHPR150-50CBF, FHPR150-75CBF, FHPR150-100CBF

Size	Part #	Vinyl	Price/E



## Pin Rack Nipples

## Feature:

- finish: -C polished chrome plated

Male NPT	Male NST (NH)	Part #	Brass	Price/E
2½"	2½"	<b>PRN250F</b>	<b>120.55</b>	



## Pin Rack Wall Bracket

## Application:

- used to support hose rack independent of a stand pipe valve

Part #	Aluminum	Price/E
<b>PRWB</b>		<b>\$107.25</b>



## Steel Hose Cabinet



Hose &amp; Tubing

**Features:**

- red polyester coated finish on 18-gauge steel
- designed for wall installation, with or without legs, or free standing
- supplied with holes in the back for wall mounting and 1" pipe couplings on the bottom for adding legs
- Factory Mutual approved
- hose, accessories and mounting hardware not included
- furnished without legs, if legs required contact Dixon®

Steel Part #	Price/E
<b>HC30143</b>	<b>\$2319.55</b>

**Dimensions**

width	depth	height
60"	15"	48"

**Basic Approved Equipment for Hose Cabinet**

Examples				Quantity Required		
Part #	Price/E	Description	Page #	Factory Mutual	UL & FIA	ISO
<b>A525-50RAF<sup>1</sup></b>	<b>\$472.15</b>	2½" x 50' single jacket hose	L-10	4	5	5
<b>A515-50RAF<sup>1</sup></b>	<b>281.45</b>	1½" x 50' single jacket hose	L-10	2	0	0
<b>UPP250F<sup>1</sup></b>	<b>718.35</b>	Underwriters play pipe	K-24	0	2	2
<b>BFN250NST<sup>1</sup></b>	<b>309.00</b>	2½" adjustable fog nozzle	K-11	2	0	0
<b>BFN150NST<sup>1</sup></b>	<b>144.75</b>	1½" adjustable fog nozzle	K-11	1	0	0
<b>HA2515F<sup>1</sup></b>	<b>29.70</b>	2½" x 1½" pin lug adapter	J-84	1	0	0
<b>233</b>	<b>43.20</b>	universal spanner	J-113	4	5	5
<b>189</b>	<b>38.70</b>	adjustable hydrant wrench	J-114	2	2	2
<b>PHFA6</b>	<b>220.00</b>	6 lb. fire axe	M-11	0	1	1
<b>FCB48</b>	<b>142.35</b>	crowbar	---	0	1	1
<b>SW150<sup>1</sup></b>	<b>2.00</b>	1½" hose coupling gasket	E-71, J-99	4	5	5
<b>SW250<sup>1</sup></b>	<b>3.25</b>	2½" hose coupling gasket	E-71, J-106, J-99	2	0	0

<sup>1</sup> threads must be appropriate to the authority having jurisdiction

## Reelcraft® 5000 Series Spring Driven Hose Reels

## Features:

- reel inlet  $\frac{3}{8}$ " NPTF
- all steel construction
- full shaft and swivel
- supplied standard with PVC hose
- maximum temperature: **150°F (66°C)**
- Compressed air hose should not be converted to oxygen service; they are often contaminated with an oil coating, which can react explosively when oxygen is introduced. 

## with hose

Hose ID	Hose Length	Service	Working Pressure PSI	Part #	Price/E
$\frac{1}{4}$ "	50'	air / water	<b>300</b>	<b>5450LP</b>	<b>\$765.00</b>
$\frac{3}{8}$ "	35'	air / water	<b>300</b>	<b>5635LP</b>	<b>726.75</b>
	50'	air / water	<b>300</b>	<b>5650LP</b>	<b>878.00</b>

## without hose

Hose Capacity	Service	Working Pressure PSI	Part #	Price/E
50' of $\frac{1}{4}$ " or 35' of $\frac{3}{8}$ "	air / water	<b>500</b>	<b>5600LP</b>	<b>\$625.00</b>
50' of $\frac{3}{8}$ "	air / water	<b>500</b>	<b>5605LP</b>	<b>730.00</b>



## Reelcraft® 7000 Series

## Features:

- all steel construction
- LP Low Pressure reels:
  - maximum temperature **150°F (66°C)**
  - reel inlet  $\frac{1}{2}$ " NPTF
  - PVC hose is standard
- MP Medium Pressure reels:
  - maximum temperature **210°F (99°C)**
  - reel inlet  $\frac{1}{2}$ " NPTF
  - SAE 100 R1T 1-wire braid hose available
- HP High Pressure reels:
  - maximum temperature **210°F (99°C)**
  - reel inlet  $\frac{1}{4}$ " NPTF
  - SAE 100 R2T 2-wire braid hose available

## with hose

Hose ID	Hose Length	Service	Working Pressure PSI	Part #	Price/E
$\frac{3}{8}$ "	70'	air / water	<b>300</b>	<b>7670LP</b>	<b>\$1158.80</b>
$\frac{1}{2}$ "	50'	air / water	<b>300</b>	<b>7850LP</b>	<b>1132.50</b>

## without hose

Hose Capacity	Service	Working Pressure PSI	Part #	Price/E
70' of $\frac{3}{8}$ ", 50' of $\frac{1}{2}$ "	air / water	<b>500</b>	<b>7800LP</b>	<b>\$911.00</b>
50' of $\frac{3}{8}$ " or 50' of $\frac{1}{2}$ "	oil	<b>3000</b>	<b>7800MP</b>	<b>1060.00</b>
50' of $\frac{1}{4}$ " or 50' of $\frac{3}{8}$ "	grease	<b>5000</b>	<b>7600HP</b>	<b>1224.50</b>



## Reelcraft® 80000 Series

Hose & Tubing



see below for bumper stops, consult Dixon® for uses other than stated services

**Features:**

- reel inlet 3/4" NPTF
- five-in-one heat treated aluminum casting incorporates main shaft, ratchet, spring arbor and inlet/outlet plumbing in one-piece casting
- furnished standard with PVC hose
- maximum temperature is **150°F (66°C)** with hose
- maximum temperature is **210°F (99°C)** without hose

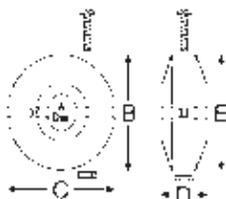
**with hose**

Hose ID	Hose Length	Service	Working Pressure PSI	Part #	Price/E
1/2"	75'	air / water	<b>300</b>	<b>82075LP</b>	<b>\$1738.00</b>
	100'	air / water	<b>300</b>	<b>82100LP</b>	<b>1804.50</b>
3/4"	50'	air / water	<b>250</b>	<b>83050LP</b>	<b>1738.00</b>

**without hose**

Hose Capacity	Service	PSI	Part #	Price/E
50' of 3/4" or 100' of 1/2"	air / water	<b>500</b>	<b>83000LP</b>	<b>\$1530.00</b>

## Adjustable Hose Bumper Stops



Hose ID	Hose OD		Dimensions		Reel Series Used On	Part #	Price/E
	From:	To:	B,C,E	D			
1/4"	.438"	.625"	2 1/2"	1 1/4"	5000 series	<b>1-HR1004A</b>	<b>\$31.00</b>
3/8"	.625"	.749"	2 1/2"	1 1/4"	5000 series	<b>1-HR1004</b>	<b>31.00</b>
3/8"	.625"	.749"	3"	1 1/4"	7000 series	<b>1-HR1004-3</b>	<b>31.00</b>
1/2" or 3/8" 2-wire	.750"	1.050"	3"	1 1/4"	7000 series	<b>2-HR1004-3</b>	<b>31.00</b>
3/4"	1.060"	1.300"	3"	1 1/4"	7000 series	<b>3-HR1004-3</b>	<b>31.00</b>
1/2"	.750"	1.050"	3 1/2"	2 7/8"	9000 series	<b>2-HR1005</b>	<b>72.00</b>
3/4"	1.060"	1.380"	3 1/2"	2 7/8"	9000 series	<b>3-HR1005</b>	<b>72.00</b>
1"	1.390"	1.550"	3 1/2"	2 7/8"	9000 series	<b>4-HR1005</b>	<b>72.00</b>

- not included on hose reels ordered without hose, must order separately

## Reelcraft® 30,000 Manual Driven Hose Reels



**Features:**

- reel frame, spool and drum are fabricated from heavy gauge steel
- all bolted construction - no welds
- manual driven standard
- motor drive available
- 1/2" inlet

**without hose**

Hose ID	Hose Capacity	Spool Width	Working Pressure PSI	Part #	Price/E
3/4"	100'	12"	1000	<b>C33112L</b>	<b>\$814.50</b>
1/2"	200'	12"	3000	<b>C32112M</b>	<b>701.00</b>

## Contractors EPDM Water Hose

**Features:**

- heavy duty, crush proof solid brass couplings with wrench grips
- spiral synthetic cord reinforcement
- black cover
- working pressure: **150 PSI**
- temperature range: **-20°F to 180°F (-29°C to 82°C)**

Size	Part #	EPDM	Price/E	Optional Qty
¾" x 50'	<b>CWH50</b>		<b>\$186.00</b>	3



Hose &amp; Tubing

## Rubber Vinyl Garden Hose

**Features:**

- extra tough, five-ply construction
- exclusive, soft textured, abrasion-resistant green cover
- dual reinforced, heavy-duty, flexibility, kink resistance
- combines durability of rubber, easy handling of vinyl
- SEAL-TITE® leakproof coupling
- working pressure: **150 PSI**
- temperature range: **0°F to 140°F (-18°C to 60°C)**

Size	Part #	Rubber Vinyl	Price/E	Optional Qty
⅝" x 25'	<b>SGH25</b>		<b>\$51.50</b>	5
⅝" x 50'	<b>SGH50</b>		<b>89.00</b>	5
⅝" x 75'	<b>SGH75</b>		<b>121.00</b>	3
⅝" x 100'	<b>SGH100</b>		<b>168.00</b>	3



## Premium EPDM Hose

**Features:**

- professional grade reinforcement provides maximum strength
- heavy-duty flexibility
- ultimate kink resistance
- SEAL-TITE® leakproof coupling
- black cover
- working pressure: **125 PSI**
- temperature range: **-20°F to 160°F (-29°C to 71°C)**

Size	Part #	EPDM	Price/E	Optional Qty
⅝" x 50'	<b>PGH50</b>		<b>\$121.00</b>	5
⅝" x 100'	<b>PGH100</b>		<b>244.00</b>	3



## Flexogen® Hose

**Features:**

- heavy-duty, crush resistant, full-flow brass couplings with a built-in washer for tight sealing
- coils and handles easily in all weather
- lightweight patented 8-ply construction
- maximum kink resistance
- flow guard plus protective collar resists kinks at faucet
- polished surface resists abrasions, stains and mildew
- grey cover

Size	Part #	Flexogen®	Price/E
⅝" x 25'	<b>FGH25</b>		<b>\$55.70</b>
⅝" x 50'	<b>FGH50</b>		<b>94.30</b>



Perfect Water Hose



Features

- for residential and industrial use
- lightweight, easy handling
- heavy duty male and female garden hose fittings
- blue cover
- polypropylene double helix construction with TPE cover
- flexible and kink-free
- working pressure: **100 PSI at 70°F (21°C)**
- burst pressure: **300 PSI at 70°F (21°C)**
- temperature range: **-20°F to 158°F (-29°C to 70°C)**

Size	Part #	Price/E
5/8" x 25'	<b>PWH25</b>	<b>\$84.00</b>
5/8" x 50'	<b>PWH50</b>	<b>155.00</b>
5/8" x 100'	<b>PWH100</b>	<b>288.00</b>

Premium Flexzilla® Garden Hose



Features:

- temperature range: **-40°F to 150°F (-40°C to 66°C)**
- anodized aircraft aluminum fittings 3/4" - 1 1/2" GHT fittings on both ends of hose
- kink resistant under pressure
- no memory - lays flat, coils easily
- abrasion resistant
- rugged bend restrictors
- lightweight
- lime green cover

Size	Part #	Hybrid Polymer	Price/E
5/8" x 50'	<b>KRH50</b>		<b>\$133.00</b>
5/8" x 75'	<b>KRH75</b>		<b>196.00</b>
5/8" x 100'	<b>KRH100</b>		<b>252.00</b>

Top Level PVC Hose



Features:

- heavy-duty 3/4" brass couplings
- kink resistant
- green cover
- working pressure: **100 PSI**
- temperature range: **15°F to 150°F (-9°C to 66°C)**

Size	Part #	PVC	Price/E
5/8" x 50'	<b>GGH50</b>		<b>\$53.50</b>
5/8" x 75'	<b>GGH75</b>		<b>70.00</b>

Hot Water Rubber Reinforced Hose



Features:

- industrial style reinforcing for flexibility, high burst strength
- extra heavy-duty, crush-proof, machined brass couplings
- maximum wear, abrasion-resistant red cover
- withstands extensive hot water up to **200°F (93°C)**
- working pressure: **130 PSI**

Size	Part #	Rubber	Price/E	Optional Qty
5/8" x 50'	<b>HWH50</b>		<b>\$138.00</b>	5
3/4" x 50'	<b>HWH50-75</b>		<b>204.00</b>	3

Marine, Camper, Patio & Pool Hose

**Features:**

- lightweight to handle, easy to store
- USFDA - approved tube materials for food contact use
- nickel plated couplings
- white cover
- working pressure: **80 PSI** at ambient temperature **70°F (21°C)**



Hose & Tubing

Size	Part #	Price/E	Optional Qty
5/8" x 50'	<b>MCH50</b>	<b>\$77.00</b>	5

Country Club® RT Hose

**Features:**

- for golf courses, parks, nurseries
- premium PVC for high strength, flexibility
- lightweight, easy handling
- industrial knit reinforcing for kink resistance
- heavy duty 1" NPSH brass couplings
- green cover
- working pressure: **150 PSI** at ambient temperature **70°F (21°C)**
- burst pressure: **450 PSI**



Size	Part #	Price/E	Optional Qty
1" x 50'	<b>CCH50</b>	<b>\$316.70</b>	2



PVC Tubing

**Applications:**

- for use with standard shank fittings in low pressure liquid and pneumatic applications

**domestic**

**Features:**

- for non-critical hospital use such as suction and draining
- made from non-toxic ingredients conforming to FDA and 3A standards
- shipped in individually boxed bundles, *sold only in lengths shown below*
- maximum temperature: **175°F (79°C)**



Size		Working Pressure PSI @ 72°F (22°C)	Length	Clear PVC	
OD	ID			Part #	Price/Length
5/16"	3/16"	55	100'	CL0305	\$46.00
3/8"	1/4"	55	100'	CL0406	62.75
1/2"	1/4"	70	100'	CL0408	117.00
7/16"	5/16"	50	100'	CL0507	63.75
1/2"	3/8"	40	100'	CL0608	72.25
5/8"	3/8"	65	100'	CL0610	153.00
5/8"	1/2"	30	100'	CL0810	101.00
3/4"	1/2"	45	100'	CL0812	184.00
7/8"	5/8"	40	100'	CL1014	250.00
1"	3/4"	35	100'	CL1216	258.00
1-1/4"	1"	28	100'	CL1620	340.00
1-3/4"	1-1/4"	45	50'	CL2028-50	520.00
2"	1-1/2"	40	50'	CL2432-50	545.00

**imported**

**Features:**

- temperature range: **14°F to 149°F (-10°C to 65°C)**
- shipped in bundles wrapped with PVC film, *sold only in lengths shown below*



Size		Working Pressure PSI @ 72°F (22°C)	Length	Clear PVC	
OD	ID			Part #	Price/Length
3/8"	1/4"	50	100'	ICL0406	\$25.50
1/2"	3/8"	35	100'	ICL0608	35.45
5/8"	1/2"	35	100'	ICL0810	46.30
3/4"	1/2"	50	100'	ICL0812	100.90
1"	3/4"	35	100'	ICL1216	143.50
1 1/4"	1"	30	100'	ICL1620	178.55
2"	1 1/2"	15	50'	ICL2432	290.55



## PVC Braided Tubing

**Applications:**

- for use with standard shank fittings in low pressure liquid and pneumatic applications

**domestic****Features:**

- high grade tensile strength polyester yarn reinforcement
- temperature range: **27°F to 150°F (-3C to 66°C)**
- shipped in coils, *sold only in lengths shown below*

Size		Working Pressure PSI @ 72°F (22°C)	Length	Clear PVC	
OD	ID			Part #	Price/Length
.394	3/16"	<b>315</b>	300'	<b>BR0306</b>	<b>\$300.00</b>
.435	1/4"	<b>315</b>	300'	<b>BR0446</b>	<b>360.00</b>
.625	3/8"	<b>265</b>	300'	<b>BR0609</b>	<b>651.50</b>
.728	1/2"	<b>215</b>	300'	<b>BR0812</b>	<b>560.00</b>
.906	5/8"	<b>200</b>	300'	<b>BR1014</b>	<b>830.00</b>
1.024	3/4"	<b>150</b>	300'	<b>BR1218</b>	<b>820.00</b>
1.732	1-1/4"	<b>110</b>	100'	<b>BR2027</b>	<b>890.00</b>
1.950	1-1/2"	<b>90</b>	100'	<b>BR2431</b>	<b>1775.00</b>



Hose &amp; Tubing

**imported****Features:**

- for various machine tools and the transportation of chemicals
- temperature range: **14°F to 149°F (-10°C to 65°C)**
- shipped in bundles wrapped with PVC film, *sold only in lengths shown below*

Size		Working Pressure PSI @ 72°F (22°C)	Length	Clear PVC	
OD	ID			Part #	Price/Length
1/2"	1/4"	<b>142</b>	300'	<b>IBR0446</b>	<b>\$191.00</b>
5/8"	3/8"	<b>114</b>	300'	<b>IBR0609</b>	<b>246.25</b>
3/4"	1/2"	<b>100</b>	300'	<b>IBR0812</b>	<b>310.00</b>
1-1/16"	3/4"	<b>71</b>	300'	<b>IBR1218</b>	<b>661.30</b>
1-5/16"	1"	<b>71</b>	200'	<b>IBR1621</b>	<b>513.10</b>



## D.O.T. Air Brake Tubing Rolls

**Features:**

- meets Department of Transportation FMVSS-106 nylon material conforming to SAE J844
- working pressure: **150 PSI**
- temperature range: **-40°F to 200°F (-40°C to 93°C)**
- tubing cutters sold on page K-36

Tube Size	Tubing Color	Length	Nylon	
			Part #	Price/E
3/16"	black	100'	<b>J844-03-BL-100</b>	<b>\$78.00</b>
1/4"	black	100'	<b>J844-04-BL-100</b>	<b>99.00</b>
	blue	100'	<b>J844-04-B-100</b>	<b>99.00</b>
	red	100'	<b>J844-04-R-100</b>	<b>99.00</b>
3/8"	black	100'	<b>J844-06-BL-100</b>	<b>258.40</b>
	blue	100'	<b>J844-06-B-100</b>	<b>258.40</b>
	red	100'	<b>J844-06-R-100</b>	<b>258.40</b>
1/2"	black	100'	<b>J844-08-BL-100</b>	<b>352.00</b>
5/8"	black	100'	<b>J844-10-BL-100</b>	<b>596.40</b>
3/4"	black	100'	<b>J844-12-BL-100</b>	<b>885.00</b>



### Polyurethane Tubing

**Features:**

- naturally transparent
- temperature range: **-40°F to 165°F (-40°C to 74°C)**
- for use with the push-in fittings sold on pages F-143 to F-151
- excellent memory, flexibility and resistance to kinking
- good resistance to fuels and oils
- low gas and vapor permeability
- high compressive strength
- low compressive set and extractability levels
- outstanding abrasion resistance



Size		Wall Thickness	Working Pressure PSI @ 75°F (24°C)	Length	Polyurethane	
OD	ID				Part #	Price/Length
1/8"	.062"	.0295"	<b>255</b>	250'	<b>04063</b>	<b>\$47.75</b>
5/32"	.094"	.0315"	<b>210</b>	100'	<b>05094</b>	<b>33.75</b>
1/4"	.160"	.0450"	<b>175</b>	100'	<b>08160</b>	<b>62.50</b>
3/8"	.245"	.0650"	<b>170</b>	100'	<b>12250</b>	<b>117.50</b>
1/2"	.320"	.0900"	<b>175</b>	50'	<b>16320</b>	<b>157.00</b>

### Polyethylene Tubing

**Features:**

- designed for FDA applications, complies with 21CFR 177.1520 (c) food contact
- temperature range: **-50°F to 140°F (-46° to 60°C)**
- for use with the push-in fittings sold on pages F-143 to F-151
- flexible, lightweight, low-density polyethylene (LLDPE) tubing
- for use with plastic or metal inserts with outer sleeve; ferrule or clamps
- formulated to resist stress cracking



Size		Wall Thickness	Working Pressure PSI @ 75°F (24°C)	Length	Tubing Color	Polyethylene	
OD	ID					Part #	Price/Length
1/4"	.125"	.062"	<b>350</b>	100'	natural	<b>0804</b>	<b>\$14.80</b>
1/4"	.170"	.040"	<b>150</b>	100'	natural	<b>0817</b>	<b>13.40</b>
1/4"	.170"	.040"	<b>150</b>	100'	blue	<b>0817BL100</b>	<b>17.30</b>
3/8"	.250"	.062"	<b>150</b>	100'	natural	<b>1208</b>	<b>28.25</b>
1/2"	.375"	.062"	<b>125</b>	100'	natural	<b>1612</b>	<b>37.10</b>

Size		Wall Thickness	Working Pressure PSI @ 75°F (24°C)	Length	Tubing Color	Polyethylene	
OD	ID					Part #	Price/Length
1/4"	.170"	.040"	<b>150</b>	500'	blue	<b>0817BL</b>	<b>\$67.00</b>
1/4"	.170"	.040"	<b>150</b>	500'	black	<b>0817BR</b>	<b>67.00</b>
1/4"	.170"	.040"	<b>150</b>	500'	natural	<b>0817CR</b>	<b>67.00</b>
3/8"	.250"	.062"	<b>150</b>	500'	black	<b>1208BR</b>	<b>120.00</b>
3/8"	.250"	.062"	<b>150</b>	500'	natural	<b>1208CR</b>	<b>120.00</b>

### Nylon Tubing

**Features:**

- naturally transparent
- temperature range: **-40°F to 180°F (-40°C to 82°C)**
- for use with the push-in fittings sold on pages F-143 to F-151
- recommended for applications requiring low density, lightweight toughness, flexibility and chemical resistance
- packaged in plastic bags



Size		Wall Thickness	Working Pressure PSI @ 75°F (24°C)	Length	Nylon	
OD	ID				Part #	Price/Length
1/8"	.093"	.016"	<b>270</b>	100'	<b>04093</b>	<b>\$31.50</b>
5/32"	.106"	.025"	<b>350</b>	100'	<b>05106</b>	<b>39.50</b>
3/16"	.138"	.025"	<b>260</b>	100'	<b>06138</b>	<b>50.00</b>
1/4"	.170"	.040"	<b>330</b>	100'	<b>08170</b>	<b>84.00</b>
1/4"	.180"	.035"	<b>290</b>	100'	<b>08180</b>	<b>80.00</b>
3/8"	.275"	.050"	<b>250</b>	100'	<b>12275</b>	<b>170.00</b>
1/2"	.375"	.062"	<b>240</b>	100'	<b>16375</b>	<b>256.75</b>

Tubing cutters sold on page K-36

## Legris Nylon Tubing

**Application:**

- ideal for many industrial applications

**Features:**

- chemical, humidity and abrasive resistant
- semi rigid
- temperature range: **-65°F to 200°F (-54°C to 93°C)**



Size		Wall	Working Pressure PSI @ 75°F (24°C)	Length	Natural Nylon		Black Nylon		Blue Nylon	
OD	ID	Thickness			Part #	Price/Lgth	Part #	Price/Lgth	Part #	Price/Lgth
1/8"	.093"	.016"	250	50'	1091P5300	\$33.65	1091P5301	\$33.45	1091P5304	\$34.50
5/32"	.106"	.025"	300	50'	1091P0400	32.00	1091P0401	30.00	1091P0404	30.00
3/16"	.138"	.025"	250	50'	1091P5500	53.20	1091P5501	53.55	---	---
1/4"	.170"	.040"	300	50'	1091P5600	60.30	1091P5601	64.05	1091P5604	57.75
5/16"	.233"	.040"	250	50'	1091P0800	83.75	1091P0801	87.00	1091P0804	87.00
3/8"	.275"	.050"	250	50'	1091P6000	119.90	1091P6001	118.00	1091P6004	113.90
1/2"	.375"	.062"	250	50'	1091P6200	196.00	1091P6201	186.00	1091P6204	188.10

Size		Wall	Working Pressure PSI @ 75°F (24°C)	Length	Natural Nylon		Black Nylon		Blue Nylon	
OD	ID	Thickness			Part #	Price/Lgth	Part #	Price/Lgth	Part #	Price/Lgth
1/8"	.093"	.016"	250	100'	1094P5300	\$59.25	1094P5301	\$59.25	1094P5304	\$59.25
5/32"	.106"	.025"	300	100'	1094P0400	60.75	1094P0401	55.80	1094P0404	66.15
3/16"	.138"	.025"	250	100'	1094P5500	98.85	1094P5501	98.85	---	---
1/4"	.170"	.040"	300	100'	1094P5600	113.15	1094P5601	114.90	1094P5604	103.60
5/16"	.233"	.040"	250	100'	1094P0800	151.85	1094P0801	154.55	1094P0804	153.00
3/8"	.275"	.050"	250	100'	1094P6000	215.70	1094P6001	218.25	1094P6004	209.20
1/2"	.375"	.062"	250	100'	1094P6200	352.25	1094P6201	358.15	1094P6204	350.45

## Polyurethane - 95 Durometer Tubing

**Application:**

- good for applications where space is tight; for applications where tubing will be exposed, black tubing is recommended

**Features:**

- high flexibility and a small bend radius
- temperature range: **-40°F to 165°F (-40°C to 74°C)**



Size		Wall	Working Pressure PSI @ 75°F (24°C)	Length	Clear Polyurethane		Black Polyurethane		Blue Polyurethane	
OD	ID	Thickness			Part #	Price/Lgth	Part #	Price/Lgth	Part #	Price/Lgth
1/8"	.062"	.031"	233	50'	1091U53R00	\$25.25	1091U5301	\$24.65	1091U5304	\$25.30
5/32"	.093"	.031"	176	50'	1091U04R00	34.70	1091U0401	30.55	1091U0404	31.35
1/4"	.160"	.045"	148	50'	1091U56R00	54.50	1091U5601	58.80	1091U5604	57.10
5/16"	.216"	.049"	148	50'	1091U08R00	83.50	1091U0801	77.05	1091U0804	81.35
3/8"	.250"	.066"	147	50'	1091U60R00	102.00	1091U6001	110.30	1091U6004	104.10
1/2"	.320"	.090"	140	50'	1091U62R00	198.45	1091U6201	200.10	1091U6204	206.00

Size		Wall	Working Pressure PSI @ 75°F (24°C)	Length	Clear Polyurethane		Black Polyurethane		Blue Polyurethane	
OD	ID	Thickness			Part #	Price/Lgth	Part #	Price/Lgth	Part #	Price/Lgth
1/8"	.062"	.031"	233	100'	1094U53R00	\$45.10	1094U5301	\$44.40	1094U5304	\$47.40
5/32"	.093"	.031"	176	100'	1094U04R00	58.60	1094U0401	56.50	1094U0404	58.85
1/4"	.160"	.045"	148	100'	1094U56R00	98.15	1094U5601	103.50	1094U5604	96.40
5/16"	.216"	.049"	148	100'	1094U08R00	156.00	1094U0801	143.75	1094U0804	157.75
3/8"	.250"	.066"	147	100'	1094U60R00	190.20	1094U6001	197.85	1094U6004	194.60
1/2"	.320"	.090"	140	100'	1094U62R00	355.05	1094U6201	354.00	1094U6204	372.00

## Fluoropolymer FEP 140 Tubing

**Features:**

- FDA compliant materials
- provides excellent resistance to aggressive and corrosive agents and high temperatures
- maximum temperature: **300°F (149°C)**

Size		Wall	Working Pressure PSI @ 72°F (22°C)	Length	Clear Fluoropolymer	
OD	ID	Thickness			Part #	Price/Lgth
1/8"	.062"	.031"	500	25'	1092T5300	\$79.95
1/4"	.170"	.031"	165	25'	1092T5600	177.35
3/8"	.300"	.062"	249	25'	1092T6000	194.55
1/2"	.420"	.062"	165	25'	1092T6200	386.85



Coil-Chief Self-Storing Air Hose  
**fittings included**

Hose & Tubing



**Feature:**

- supplied with swivel on one end

Hose ID	Length	Male NPT	Working Pressure @ 70°F (21°C)	Nylon	
				Part #	Price/E
1/4"	12'	1/4"	185	CC1412	\$35.80
	25'	1/4"	185	CC1425	52.50
	50'	1/4"	185	CC1450	88.40
3/8"	25'	3/8"	165	CC3825	89.00
	50'	3/8"	165	CC3850	153.00
1/2"	25'	1/2"	170	CC1225	176.00
	50'	1/2"	170	CC1250	268.00

**bulk hose - no fittings**

**Feature:**

- needs assembly kits for ends



Hose ID	Length	Nylon	
		Part #	Price/E
1/4"	100'	CC14100B	\$137.00
3/8"	100'	CC38100B	266.00
1/2"	100'	CC12100B	440.00

**Assembly Kits**

**Feature:**

- kits include fittings, nut, insert, ferrule and spring guard



RK110 assembly kit

Size	Fitting Type	Part #	Price/E
1/4"	rigid male	RK090	\$7.50
1/4"	swivel male	RK092	10.10
3/8"	rigid male	RK110	10.70
3/8"	swivel male	RK112	14.40
1/2"	rigid male	RK118	23.60
1/2"	swivel male	RK119	30.00



Polyurethane Self-Storing Air Hose  
**fittings included**

**Features:**

- extremely flexible - resists kinking
- impervious to abrasions, heat and oil
- superior elasticity and coil memory
- both ends swivel

Hose ID	Length	Male NPT	Working Pressure (PSI)	Polyurethane	
				Part #	Price/E
1/4"	10'	1/4"	145	PU1410	\$51.00
	15'	1/4"	145	PU1415	56.50
	25'	1/4"	145	PU1425	63.50
3/8"	15'	3/8"	135	PU3815	90.00
	20'	3/8"	135	PU3820	101.00
	25'	3/8"	135	PU3825	113.00
	50'	3/8"	135	PU3850	214.00
1/2"	15'	1/2"	155	PU1215	154.00



**Repair Kits**

Size	Tubing Size		Type	Brass	
	ID	OD		Part #	Price/E
1/4"	1/4"	3/8"	swivel male	PSM0404	\$11.60
	3/8"	9/16"	swivel male	PSM0604	15.90



Polyurethane Air Hose  
**fittings included**

**Features:**

- durable and lightweight
- nylon-reinforced braid allows for higher working pressure
- excellent flexibility
- oil resistant
- durometer: Shore A 85
- temperature range: -40°F to 155°F (-40°C to 68°C)
- working pressure: 210 PSI at 70°F (21°C)

Hose ID	Length	Male NPT	Polyurethane	
			Part #	Price/E
1/4"	50'	1/4"	450-4S	\$81.50
3/8"	50'	1/4"	650-4S	157.00
	50'	3/8"	650-6S	161.00



PVC Tubing and Hose Cutters

Hose & Tubing



**Features:**

- rugged construction cuts up to 3/4" tubing or hose
- corrosion resistant hardened steel blade ensures straight, crisp cuts for optimum fit

Part #	Price/E
<b>TC97</b>	<b>\$17.00</b>
<b>TC97RB</b>	<b>5.85</b>



**Features:**

- cuts low pressure fabric reinforced hose up to 1" OD
- reversible blade

Part #	Price/E
<b>HC90</b>	<b>\$26.70</b>
<b>HC90RB (replacement blade)</b>	<b>11.15</b>



**Features:**

- cuts hose and tubing up to 1 7/8" OD
- tough fiberglass reinforced handle
- stainless steel blade

Part #	Price/E
<b>LHC95</b>	<b>\$47.70</b>
<b>LHC95RB (replacement blade)</b>	<b>19.00</b>



## Nominal

**Application:**

- suitable for conveying chemicals, foods, pharmaceuticals, oils, gas, fuels and steam

**Features:**

- nominal standard smooth bore PTFE hose meets SAE100R14
- size range: dash-3 to dash-20
- temperature range: **-100°F to 450°F (-73°C to 232°C)**
- 304 stainless braided
- extruded or heat shrink coverings are available upon request
- boxed coils (bulk, per ft. lengths and full reels available from Maryland and Texas call Dixon® at 888.226.4673)
- for use with PTFE fittings on pages H-77 through H-79

**Nominal Smooth Bore PTFE Hose**  
(fittings not included)



Nominal Size	Average ID	Length in Feet	Dash Size	Working Pressure	Burst Pressure	White, non-conductive		Black, conductive	
						Part #	Price/E	Part #	Price/E
3/16"	.125"	100'	dash-3	<b>3000 PSI</b>	12000	---	---	<b>BSB-03-100</b>	<b>\$711.00</b>
1/4"	.187"	100'	dash-4	<b>3000 PSI</b>	12000	<b>WSB-04-100</b>	<b>\$576.00</b>	<b>BSB-04-100</b>	<b>634.50</b>
5/16"	.250"	100'	dash-5	<b>3000 PSI</b>	12000	<b>WSB-05-100</b>	<b>670.40</b>	<b>BSB-05-100</b>	<b>678.15</b>
3/8"	.312"	100'	dash-6	<b>2500 PSI</b>	10000	<b>WSB-06-100</b>	<b>753.05</b>	<b>BSB-06-100</b>	<b>814.50</b>
3/8T"	.375"	100'	dash-6T	<b>2250 PSI</b>	9000	<b>WSB-06T-100</b>	<b>958.50</b>	<b>BSB-06T-100</b>	<b>1057.50</b>
1/2"	.405"	100'	dash-8	<b>2000 PSI</b>	8000	<b>WSB-08-100</b>	<b>855.00</b>	<b>BSB-08-100</b>	<b>940.50</b>
5/8"	.500"	100'	dash-10	<b>1750 PSI</b>	7000	<b>WSB-10-100</b>	<b>1125.00</b>	<b>BSB-10-100</b>	<b>1237.50</b>
3/4"	.625"	100'	dash-12	<b>1500 PSI</b>	6000	<b>WSB-12-100</b>	<b>1424.75</b>	<b>BSB-12-100</b>	<b>1417.00</b>
3/4T"	.750"	50'	dash-12T	<b>1100 PSI</b>	4400	<b>WSB-12T-50</b>	<b>974.25</b>	<b>BSB-12T-50</b>	<b>1073.25</b>
1"	.875"	50'	dash-16	<b>1000 PSI</b>	4000	<b>WSB-16-50</b>	<b>1067.40</b>	<b>BSB-16-50</b>	<b>1511.25</b>

**Nominal Smooth Bore PTFE Hose Per Foot Length**

(fittings not included)

Nominal Size	Average ID	Dash Size	White, non-conductive		Black, conductive	
			Part #	Price/E	Part #	Price/E
3/16"	.125"	dash-3	<b>WSB-03</b>	<b>\$6.10</b>	<b>BSB-03</b>	<b>\$7.15</b>
1/4"	.187"	dash-4	<b>WSB-04</b>	<b>5.80</b>	<b>BSB-04</b>	<b>6.35</b>
5/16"	.250"	dash-5	<b>WSB-05</b>	<b>6.55</b>	<b>BSB-05</b>	<b>6.50</b>
3/8"	.312"	dash-6	<b>WSB-06</b>	<b>7.45</b>	<b>BSB-06</b>	<b>8.15</b>
3/8T"	.375"	dash-6T	<b>WSB-06T</b>	<b>9.60</b>	<b>BSB-06T</b>	<b>10.60</b>
1/2"	.405"	dash-8	<b>WSB-08</b>	<b>8.55</b>	<b>BSB-08</b>	<b>9.45</b>
5/8"	.500"	dash-10	<b>WSB-10</b>	<b>11.25</b>	<b>BSB-10</b>	<b>12.40</b>
3/4"	.625"	dash-12	<b>WSB-12</b>	<b>14.10</b>	<b>BSB-12</b>	<b>13.95</b>
3/4T"	.750"	dash-12T	<b>WSB-12T</b>	<b>20.00</b>	<b>BSB-12T</b>	<b>21.50</b>
1"	.875"	dash-16	<b>WSB-16</b>	<b>21.35</b>	<b>BSB-16</b>	<b>29.45</b>
1T"	1.000"	dash-16T	<b>WSB-16T</b>	<b>29.55</b>	<b>BSB-16T</b>	<b>32.55</b>
1-1/4"	1.125"	dash-20Z	<b>WSB-20Z<sup>1</sup></b>	<b>63.00</b>	<b>BSB-20Z<sup>1</sup></b>	<b>75.80</b>

<sup>1</sup> double braided

- per foot lengths are available from Maryland and Texas only, call Dixon® at 888.226.4673

## True ID Hose

Hose &amp; Tubing



(WOC)  
PTFE convoluted  
non-conductive



(BOC)  
PTFE convoluted  
conductive



(WTB)  
PTFE smooth bore  
non-conductive



(BTB)  
PTFE smooth bore  
conductive

**Applications:**

- suitable for conveying acids, chemicals, foods and pharmaceuticals

**Features:**

- size range: 1/4" to 2"
- temperature range: **-100°F to 450°F (-73°C to 232°C)**
- boxed coils (bulk, per ft. lengths and full reels available from Maryland and Texas, call Dixon® at 888.226.4673)
- 304 stainless braided
- other braids including synthetic, extruded and heat shrink coverings are available upon request
- for use with PTFE fittings on pages H-77 through H-79

**True ID Open Pitch Convoluted Hose***(fittings not included)*

Size	Working Pressure PSI	Burst Pressure PSI	White, non-conductive		Black, conductive	
			Part #	Price/Ft	Part #	Price/Ft
1/4"	<b>1740</b>	<b>6960</b>	<b>WOC-T04</b>	<b>\$21.45</b>	<b>BOC-T04</b>	<b>\$27.75</b>
3/8"	<b>1850</b>	<b>7400</b>	<b>WOC-T06</b>	<b>21.45</b>	<b>BOC-T06</b>	<b>27.75</b>
1/2"	<b>1500</b>	<b>6000</b>	<b>WOC-T08</b>	<b>24.10</b>	<b>BOC-T08</b>	<b>26.45</b>
3/4"	<b>1300</b>	<b>5200</b>	<b>WOC-T12</b>	<b>28.20</b>	<b>BOC-T12</b>	<b>31.50</b>
1"	<b>1000</b>	<b>4000</b>	<b>WOC-T16</b>	<b>45.70</b>	<b>BOC-T16</b>	<b>49.85</b>
1 1/4"	<b>900</b>	<b>3600</b>	<b>WOC-T20</b>	<b>54.85</b>	<b>BOC-T20</b>	<b>71.00</b>
1 1/2"	<b>700</b>	<b>2800</b>	<b>WOC-T24</b>	<b>71.10</b>	<b>BOC-T24</b>	<b>78.30</b>
2"	<b>500</b>	<b>2000</b>	<b>WOC-T32</b>	<b>90.65</b>	<b>BOC-T32</b>	<b>99.85</b>

**Heavy Wall True ID Smooth Bore Hose***(fittings not included)*

Size	Working Pressure PSI	Burst Pressure PSI	White, non-conductive		Black, conductive	
			Part #	Price/Ft	Part #	Price/Ft
1/4"	<b>3000</b>	<b>12000</b>	<b>WTB-T04</b>	<b>\$10.40</b>	<b>BTB-T04</b>	<b>\$11.80</b>
3/8"	<b>2250</b>	<b>9000</b>	<b>WTB-T06</b>	<b>14.25</b>	<b>BTB-T06</b>	<b>15.75</b>
1/2"	<b>1500</b>	<b>6000</b>	<b>WTB-T08</b>	<b>17.75</b>	<b>BTB-T08</b>	<b>19.50</b>
3/4"	<b>1100</b>	<b>4400</b>	<b>WTB-T12</b>	<b>29.50</b>	<b>BTB-T12</b>	<b>32.40</b>
1"	<b>900</b>	<b>3600</b>	<b>WTB-T16</b>	<b>39.60</b>	<b>BTB-T16</b>	<b>43.55</b>
1"	<b>1650</b>	<b>6600</b>	<b>WTB-T16Z</b>	<b>63.80</b>	<b>BTB-T16Z</b>	<b>75.65</b>
1 1/4"	<b>1000</b>	<b>4000</b>	<b>WTB-T20Z</b>	<b>79.95</b>	<b>BTB-T20Z</b>	<b>105.50</b>
1 1/2"	<b>1100</b>	<b>4000</b>	<b>WTB-T24Z</b>	<b>185.50</b>	<b>BTB-T24Z</b>	<b>155.35</b>

## Spiral Hose and Cable Protection

**Applications:**

- used in mining, quarrying, forestry, offshore industries and most hydraulic hose applications

**Features:**

- crush and high abrasion resistance
- chemical and UV ray resistant
- self-lubricating to reduce hose wear
- easy to install on-site
- smooth radius on all edges
- can be used on single or multiple hose bundles
- spiral guard ID is equal to the guard at rest
- sold in coil lengths only

**Flame Retardant Product****Features:**

- approved by MSHA #1C-264/0
- tested to: AS 2600, AS1180.10B, AS 1180.13A
- flame retardant, self extinguishing, anti static
- temperature range: **-148°F to 262°F (-100°C to 100°C)**
- color: black

Nominal ID	Coil Length	OD Range (inches)	Part #	Price/E
0.45"	66'	.47" to .86"	<b>FRSGX16</b>	<b>\$229.00</b>
0.55"	66'	.62" to 1.06"	<b>FRSGX20</b>	<b>296.00</b>
0.80"	66'	.86" to 1.37"	<b>FRSGX25</b>	<b>372.00</b>
1.00"	66'	1.06" to 1.69"	<b>FRSGX32</b>	<b>659.95</b>
1.26"	66'	1.30" to 2.17"	<b>FRSGX40</b>	<b>848.00</b>
1.50"	66'	1.65" to 2.52"	<b>FRSGX50</b>	<b>1184.75</b>
2.00"	66'	2.05" to 2.95"	<b>FRSGX63</b>	<b>1540.00</b>
2.40"	66'	2.56" to 3.80"	<b>FRSGX75</b>	<b>2012.00</b>
2.83"	66'	3.15" to 4.30"	<b>FRSGX90</b>	<b>2362.00</b>
3.43"	33'	3.80" to 4.90"	<b>FRSGX110</b>	<b>1563.00</b>

**Standard Product****Features:**

- not flame retardant
- temperature range: **-40°F to 248°F (-50°C to 90°C)**

Nominal ID	Coil Length	OD Range (inches)	Part #	Price/E
0.45"	66'	.47" to .86"	<b>NFSGX16</b>	<b>\$102.50</b>
0.55"	66'	.62" to 1.06"	<b>NFSGX20</b>	<b>142.90</b>
0.80"	66'	.86" to 1.37"	<b>NFSGX25</b>	<b>197.20</b>
1.00"	66'	1.06" to 1.69"	<b>NFSGX32</b>	<b>282.60</b>
1.26"	66'	1.30" to 2.17"	<b>NFSGX40</b>	<b>419.25</b>
1.50"	66'	1.65" to 2.52"	<b>NFSGX50</b>	<b>549.70</b>
2.00"	66'	2.05" to 2.95"	<b>NFSGX63</b>	<b>754.65</b>
2.40"	66'	2.56" to 3.80"	<b>NFSGX75</b>	<b>1080.70</b>
2.83"	66'	3.15" to 4.30"	<b>NFSGX90</b>	<b>1397.50</b>
3.43"	33'	3.80" to 4.90"	<b>NFSGX110</b>	<b>832.30</b>



### Fiberglass Sleeving

Hose & Tubing



**Features:**

- thermal insulation protection in applications with service temperatures up to **1000°F (538°C)**
- supplied in a continuous length of 100'
- 1/16" wall thickness
- braided from texturized E-glass filament yarns, untreated tubing is flexible and expands to cover changing diameters.

Nominal ID	Fiberglass	
	Part #	Price/E
1/4"	LW04200	\$81.25
3/8"	LW06200	81.25
1/2"	LW08200	127.50
5/8"	LW10200	129.50
3/4"	LW12200	139.00
7/8"	LW14200	156.40
1"	LW16200	214.50
1 1/4"	LW20200	220.25
1 1/2"	LW24200	318.70
2"	LW32200	371.00
2 1/2"	LW40200	399.75
3"	LW48200	434.60
3 1/2"	LW56200	521.50
4"	LW64200	539.00



### Kevlar® Protective Sleeves

**Features:**

- braided cut-resistant sleeve made of 100% genuine Kevlar® fibers provides excellent flexibility
- provides protection for hydraulic hoses full lines,wires, cables and many other systems
- working temperature: continuous **320°F (160°C)**, short term **570°F (300°C)**
- 3000 denier ballistic grade Kevlar®, nonirritating fiber

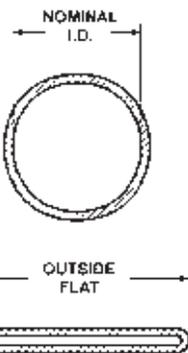


Sleeve ID	100' spool	
	Part #	Price/E
1/2" (13 mm)	KS08200	\$484.85
3/4" (19 mm)	KS12200	552.75
1" (25 mm)	KS16200	761.25
1 1/4" (32 mm)	KS20200	877.60
1 1/2" (38 mm)	KS24200	1042.45
1 3/4" (44 mm)	KS28200	1202.45
2" (51 mm)	KS32200	1391.55
2 1/2" (64 mm)	KS40200	1604.85
3" (76 mm)	KS48200	1905.45
3 1/2" (89 mm)	KS56200	2792.75
4" (102 mm)	KS64200	3219.40

### Nylon Protective Sleeves - MSHA Accepted

**Features:**

- woven tubular sleeving, for use as a protective covering on hydraulic and industrial hose
- tight weave of seamless tubular sleeving helps dispense the flow of fluid in a ruptured hose
- MSHA accepted, withstands temperatures up to **275°F (135°C)**, passes flammability tests
- not continous rolls/has splices



Nominal ID	Outside Flat	100' rolls		300' rolls	
		Part #	Price/E	Part #	Price/E
0.90"	1.50"	DHS90-100	\$142.35	DHS90-300	\$388.20
1.00"	1.66"	DHS100-100	152.90	DHS100-300	417.00
1.13"	1.88"	DHS106-100	164.10	DHS106-300	447.40
1.25"	2.13"	DHS122-100	186.95	DHS122-300	509.85
1.46"	2.25"	DHS138-100	212.95	DHS138-300	580.70
1.42"	2.50"	DHS142-100	218.35	DHS142-300	595.45
1.58"	2.75"	DHS159-1-100	226.10	DHS159-1-300	616.55
1.78"	2.88"	DHS175-100	248.25	DHS175-300	677.00
1.91"	3.00"	DHS181-100	262.00	DHS181-300	714.50
2.18"	3.63"	DHS219-100	330.60	DHS219-300	901.70
2.38"	3.88"	DHS238-100	392.55	DHS238-300	1070.45
2.65"	4.25"	DHS263-100	418.55	DHS263-300	1141.50
2.86"	4.75"	DHS288-100	461.15	DHS288-300	1257.65
3.65"	5.88"	DHS366-100	550.05	DHS366-300	1500.00



### Fire Jacket for Hose

**Application:**

- used to protect hose and hose assemblies, tubing, piping, wiring and cables from high temperatures, direct flame or molten splash

**Features:**

- helps maintain line temperature and reduce environmental overheating and overcooling
- meets flammability requirements of UL 94 HB & UL 94 V-0
- sleeving slides easily over hose & expands to go over fittings
- resistant to hydraulic fluids and lubricating oil
- iron oxide red color
- compounded silicone rubber coating over fiberglass
- completely non-asbestos, REACH - ROHS compliant
- supplied in 50' lengths
- temperature range: **-65°F to 500°F (-54°C to 260°C)**

Nominal ID	Part #	Price/E
1/4"	<b>0610-4</b>	<b>\$185.40</b>
3/8"	<b>1010-6</b>	<b>220.25</b>
1/2"	<b>1310-8</b>	<b>243.50</b>
5/8"	<b>1610-10</b>	<b>278.10</b>
3/4"	<b>1910-12</b>	<b>310.00</b>
7/8"	<b>2210-14</b>	<b>371.00</b>
1"	<b>2510-16</b>	<b>394.00</b>
1 1/4"	<b>3210-20</b>	<b>475.20</b>
1 1/2"	<b>3810-24</b>	<b>539.00</b>
1 3/4"	<b>4510-28</b>	<b>660.50</b>
2"	<b>5110-32</b>	<b>776.25</b>
2 1/2"	<b>6410-40</b>	<b>959.50</b>
3"	<b>7610-48</b>	<b>1393.60</b>
4"	<b>10210-64</b>	<b>1718.20</b>



### Fire Jacket Tape

**Application:**

- used to seal the ends of fire jackets to prevent fraying and fluid wicking

**Features:**

- completely non-asbestos
- iron oxide red color
- temperature range: **-45°F to 380°F (-45°C to 200°C)**

Size	Length	Silicone Rubber	
		Part #	Price/E
1"	12 yards	<b>FTH100</b>	<b>\$52.50</b>



### Non Adhesive Fire Tape

**Features:**

- fiberglass coated silicone rubber
- fluid resistant to hydraulic fluids and lubricating oils
- should be installed in a spiral wrap utilizing 30% to 50% overlap
- iron oxide red color
- temperature range: **-65°F to 500°F (-54°C to 260°C)**

Width	Length	Fiberglass Coated Silicone Rubber	
		Part #	Price/E
3"	50'	<b>4055-3</b>	<b>\$660.50</b>



Spring Guard

Hose & Tubing

Features:

- protects hose against the effects of flexing at its most vulnerable point - immediately behind the coupling
- optional end tang allows end guard to be secured under a clamp or ferrule
- wire fits most hose OD's from 1/2" to 3/4", contact Dixon® for custom sizes or lengths

with tang

Guard ID	Wire Gauge	Overall Length	Tang Length	Approx. # of Coils/Ft.	Galvanized Steel		304 Stainless Steel	
					Part #	Price/E	Part #	Price/E
3/4"	0.175	12"	1"	33	SEGC1-0.75-12	\$14.00	SEGS1-0.75-12	\$18.00
1"	0.175	12"	1"	33	SEGC1-1.00-12	16.00	SEGS1-1.00-12	24.00
1 1/4"	0.175	14"	2"	39	SEGC1-1.25-14	17.00	SEGS1-1.25-14	26.00
1 1/2"	0.175	14"	2"	39	SEGC1-1.50-14	18.00	SEGS1-1.50-14	27.00
1 3/4"	0.175	16"	2"	44	SEGC1-1.75-16	21.00	SEGS1-1.75-16	31.00
2"	0.280	16"	2"	44	SEGC1-2.00-16	24.00	SEGS1-2.00-16	32.00
2 1/2"	0.280	18"	2"	50	SEGC1-2.50-18	25.00	SEGS1-2.50-18	40.00
3"	0.280	18"	2"	50	SEGC1-3.00-18	30.00	SEGS1-3.00-18	42.00

without tang

Guard ID	Wire Gauge	Overall Length	Tang Length	Approx. # of Coils/Ft.	Galvanized Steel		304 Stainless Steel	
					Part #	Price/E	Part #	Price/E
3/4"	0.175	12"	1"	33	SEGC0-0.75-12	\$11.00	SEGS0-0.75-12	\$17.00
1"	0.175	12"	1"	33	SEGC0-1.00-12	12.00	SEGS0-1.00-12	20.00
1 1/4"	0.175	14"	2"	39	SEGC0-1.25-14	13.00	SEGS0-1.25-14	21.00
1 1/2"	0.175	14"	2"	39	SEGC0-1.50-14	14.00	SEGS0-1.50-14	23.00
1 3/4"	0.175	16"	2"	44	SEGC0-1.75-16	18.00	SEGS0-1.75-16	27.00
2"	0.280	16"	2"	44	SEGC0-2.00-16	21.00	SEGS0-2.00-16	28.00
2 1/2"	0.280	18"	2"	50	SEGC0-2.50-18	22.00	SEGS0-2.50-18	36.00
3"	0.280	18"	2"	50	SEGC0-3.00-18	27.00	SEGS0-3.00-18	38.00

Continuous Spring Guard

Features:

- protects hose from external abrasion and helps resist over flexing
- fits tight to hose reducing the potential for snagging
- contact Dixon™ for custom lengths or sizes

Guard ID	Wire Gauge	Overall Length	Approx. # of Coils/Ft.	Galvanized Steel		304 Stainless Steel	
				Part #	Price/E	Part #	Price/E
3/4"	0.175"	25'	33'	CWG-C-0.75-25	\$98.00	CWG-S-0.75-25	\$380.25
1"	0.175"	25'	33'	CWG-C-1.00-25	168.25	CWG-S-1.00-25	433.25
1 1/4"	0.175"	25'	33'	CWG-C-1.25-25	168.25	CWG-S-1.25-25	433.25
1 1/2"	0.175"	25'	33'	CWG-C-1.50-25	230.50	CWG-S-1.50-25	526.00
1 3/4"	0.175"	25'	33'	CWG-C-1.75-25	230.50	CWG-S-1.75-25	526.00
2"	0.280"	25'	33'	CWG-C-2.00-25	327.25	CWG-S-2.00-25	628.00
2 1/2"	0.280"	25'	33'	CWG-C-2.50-25	420.00	CWG-S-2.50-25	720.75
3"	0.280"	25'	33'	CWG-C-3.00-25	522.00	CWG-S-3.00-25	804.25