



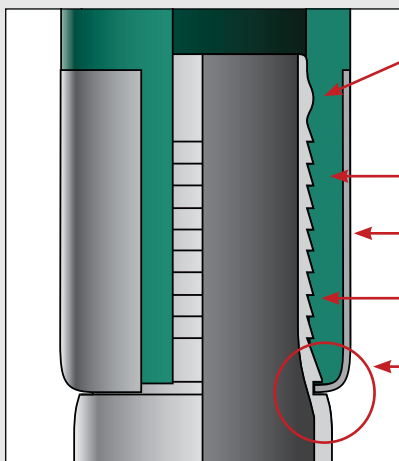
Ferrules & Sleeves for High, Medium, and Low-Pressure Hose Systems

*Campbell Crimpnology™ ...
the only comprehensive package of
crimping products in the industry!*



CampbellCrimpnology™

Crimpnology refers to all of the technology involved in crimping: The integrated design of every fitting, coupling, ferrule, and sleeve; the crimp procedures; crimp specifications; and crimp training & support.



RELIEF BUMP

Prolongs the life of the hose assembly by relieving stress and failure points commonly found at the end of crimped fittings.

HOSE

FERRULE

FITTING

INTERLOCK

The turn-in of the ferrule interlocks with the machined groove on the fitting or coupling, providing a mechanical attachment for exceptional hose retention.

Features and Benefits

Crimpnology offers the following "7 Essentials" for crimping safe, repeatable, performance-rated hose systems:

- Interlock groove on all fittings and couplings is compatible with the turn-in end of the ferrule to ensure a 360° ferrule-to-fitting interlock.
- Serrations specifically designed for crimping provide maximum hose retention without potential tube failure.
- Shank length and ferrule/sleeve length are matched to maximize retention and to avoid hose tube or cover damage.
- Detailed assembly procedures are provided, including information to ensure use of compatible components.
- Detailed crimping procedures ensure appropriate crimp specification is derived for each hose and fitting combination.
- On-site crimping training by a Hose System Specialist is offered by Campbell Fittings to assist distributor personnel.
- A daytime, toll-free "hotline" is manned by a Campbell Hose System Specialist to assist in all aspects of crimping.

Performance Rated

All Campbell pressure ratings are established and verified by hydrostatic testing to a 4x safety factor where applicable (see page 1 for pressure rating information). Test data and information regarding various combinations of hoses and fittings are available upon request.

Note: Campbell sleeves may be used on non-Campbell fittings. We cannot provide crimp specifications or recommend working pressures for non-Campbell fittings. The pressure ratings in this catalog are valid only when using all Campbell parts. For safety and quality assurance, always proof test hose assembly according to NAHAD guidelines.

FERRULE & SLEEVE PART NUMBERING

PRODUCT	MATERIAL	FERRULE/SLEEVE I.D.
F = Ferrule	PS = Plated Steel	216 = 2-16/64"
S = Sleeve	SS = Stainless Steel	340 = 3-40/64"

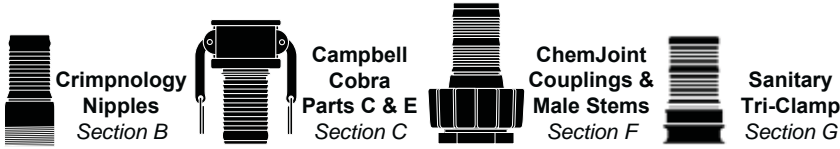
F	PS	150	216	L
NOMINAL HOSE SIZE		NON-STANDARD LENGTH		
150 = 1-1/2"		L = Long		
200 = 2"		S = Short		

FERRULES



FERRULES

for use with products shown below:



Plated Steel

hose size	ferrule i.d.	part number	list each
3/4	1-12/64	FPS075112	8.09
3/4	1-20/64	FPS075120	8.09
3/4	1-24/64	FPS075124	8.09
3/4	1-28/64	FPS075128	8.09
3/4	1-32/64	FPS075132	8.09
1	1-32/64	FPS100132	10.00
1	1-36/64	FPS100136	10.00
1	1-40/64	FPS100140	10.00
1	1-44/64	FPS100144	10.00
1	1-48/64	FPS100148	10.00
1	1-52/64	FPS100152	10.00
1-1/4	1-52/64	FPS125152	10.35
1-1/4	1-56/64	FPS125156	10.35
1-1/4	1-60/64	FPS125160	10.35
1-1/2	1-60/64	FPS150160	11.40
1-1/2	2	FPS150200	11.40
1-1/2	2-4/64	FPS150204	11.40
1-1/2	2-8/64	FPS150208	11.40
1-1/2	2-12/64	FPS150212	11.40
1-1/2	2-16/64	FPS150216	11.40
1-1/2	2-20/64	FPS150220	11.40
1-1/2	2-24/64	FPS150224	11.40
2	2-32/64	FPS200232	12.74
2	2-36/64	FPS200236	12.74
2	2-40/64	FPS200240	12.74
2	2-44/64	FPS200244	12.74
2	2-48/64	FPS200248	12.74
2	2-52/64	FPS200252	12.74
2	2-56/64	FPS200256	12.74
2	2-60/64	FPS200260	12.74
2-1/2	3-8/64	FPS250308	17.22
2-1/2	3-12/64	FPS250312	17.22
2-1/2	3-16/64	FPS250316	17.22
2-1/2	3-20/64	FPS250320	17.22
2-1/2	3-28/64	FPS250328	17.22
3	3-36/64	FPS300336	17.83
3	3-40/64	FPS300340	17.83
3	3-44/64	FPS300344	17.83
3	3-48/64	FPS300348	17.83
3	3-52/64	FPS300352	17.83
3	3-56/64	FPS300356	17.83
3	3-60/64	FPS300360	17.83
3	4	FPS300400	17.83
3	4-8/64	FPS300408	17.83
3	4-16/64	FPS300416	17.83
4	4-36/64	FPS400436	23.43
4	4-40/64	FPS400440	23.43
4	4-44/64	FPS400444	23.43
4	4-48/64	FPS400448	23.43
4	4-52/64	FPS400452	23.43

4	4-56/64	FPS400456	23.43
4	4-60/64	FPS400460	23.43
4	5	FPS400500	23.43
4	5-4/64	FPS400504	23.43
6	6-56/64	FPS600656	51.99
6	7	FPS600700	51.99
6	7-8/64	FPS600708	51.99
6	7-24/64	FPS600724	51.99
8	NEW! 8-48/64	FPS800848	112.20
8	NEW! 9	FPS800900	112.20
8	NEW! 9-16/64	FPS800916	112.20
8	NEW! 9-32/64	FPS800932	112.20

Stainless Steel

hose size	ferrule i.d.	part number	list each
1/2	1	FSS050100	9.31
1/2	1-4/64	FSS050104	9.31
1/2	1-8/64	FSS050108	9.31
3/4	1-12/64	FSS075112	9.65
3/4	1-16/64	FSS075116	9.65
3/4	1-20/64	FSS075120	9.65
3/4	1-24/64	FSS075124	9.65
3/4	1-28/64	FSS075128	9.65
3/4	1-32/64	FSS075132	9.65
1	1-32/64	FSS100132	10.15
1	1-36/64	FSS100136	10.15
1	1-40/64	FSS100140	10.15
1	1-44/64	FSS100144	10.15
1	1-48/64	FSS100148	10.15
1	1-52/64	FSS100152	10.15
1/4	1-52/64	FSS125152	12.00
1/4	1-56/64	FSS125156	12.00
1/4	1-60/64	FSS125160	12.00
1-1/2	1-60/64	FSS150160	15.60
1-1/2	2	FSS150200	15.60
1-1/2	2-4/64	FSS150204	15.60
1-1/2	2-8/64	FSS150208	15.60
1-1/2	2-12/64	FSS150212	15.60
1-1/2	2-16/64	FSS150216	15.60
1-1/2	2-20/64	FSS150220	15.60
1-1/2	2-24/64	FSS150224	15.60
2	2-32/64	FSS200232	17.63
2	2-36/64	FSS200236	17.63
2	2-40/64	FSS200240	17.63
2	2-44/64	FSS200244	17.63
2	2-48/64	FSS200248	17.63
2	2-52/64	FSS200252	17.63
2	2-56/64	FSS200256	17.63
2	2-60/64	FSS200260	17.63
2-1/2	3-8/64	FSS250308	27.08
2-1/2	3-12/64	FSS250312	27.08
2-1/2	3-16/64	FSS250316	27.08
2-1/2	3-20/64	FSS250320	27.08
2-1/2	3-28/64	FSS250328	27.08
3	3-36/64	FSS300336	28.92
3	3-40/64	FSS300340	28.92
3	3-44/64	FSS300344	28.92
3	3-48/64	FSS300348	28.92
3	3-52/64	FSS300352	28.92
3	3-56/64	FSS300356	28.92
3	3-60/64	FSS300360	28.92
3	4	FSS300400	28.92
4	4-36/64	FSS400436	67.14
4	4-40/64	FSS400440	67.14
4	4-44/64	FSS400444	67.14
4	4-48/64	FSS400448	67.14
4	4-52/64	FSS400452	67.14
4	4-56/64	FSS400456	67.14
4	4-60/64	FSS400460	67.14
4	5	FSS400500	67.14
4	5-4/64	FSS400504	67.14

continued on next page

hose size	ferrule i.d.	part number	list each
6	6-56/64	FSS600656	84.92
6	7	FSS600700	84.92
6	7-8/64	FSS600708	84.92
6	7-24/64	FSS600724	84.92
8	NEW!	FSS800XXX	POR

**Plated Steel Heavy Duty
 (for 206S & FRAC-16C fittings only)**

hose size	ferrule i.d.	part number	list each
4	4-48/64	FPS400448F	33.25
4	4-52/64	FPS400452F	33.25
4	4-56/64	FPS400456F	33.25
4	4-60/64	FPS400460F	33.25
4	5	FPS400500F	33.25
4	5-4/64	FPS400504F	33.25

3	3-36/64	FPS300336L	28.72
3	3-40/64	FPS300340L	28.72
3	3-44/64	FPS300344L	28.72
3	3-48/64	FPS300348L	28.72
3	3-52/64	FPS300352L	28.72
3	3-56/64	FPS300356L	28.72
3	3-60/64	FPS300360L	28.72
3	4	FPS300400L	28.72
3	4-8/64	FPS300408L	28.72
3	4-16/64	FPS300416L	28.72
4	4-40/64	FPS400440L	37.85
4	4-44/64	FPS400444L	37.85
4	4-48/64	FPS400448L	37.85
4	4-52/64	FPS400452L	37.85
4	4-56/64	FPS400456L	37.85
4	4-60/64	FPS400460L	37.85
4	5	FPS400500L	37.85
4	5-4/64	FPS400504L	37.85
4	5-12/64	FPS400512L	37.85
4	5-20/64	FPS400520L	37.85
4	5-28/64	FPS400528L	37.85

FERRULES

for use with products shown below:

WARNING: NOT FOR USE WITH STEAM



Long Crimpnology Nipples
Section B



Viton® Seal Ground Joints and Male Stems
Section D



Plated Steel

hose size	ferrule i.d.	part number	list each
1/2	1	FPS050100S	8.90
1/2	1-4/64	FPS050104S	8.90
1/2	1-8/64	FPS050108S	8.90
3/4	1-16/64	FPS075116	8.09
3/4	1-20/64	FPS075120	8.09
3/4	1-24/64	FPS075124	8.09
3/4	1-28/64	FPS075128	8.09
3/4	1-32/64	FPS075132	8.09
1	1-32/64	FPS100132	10.00
1	1-36/64	FPS100136	10.00
1	1-40/64	FPS100140	10.00
1	1-44/64	FPS100144	10.00
1	1-48/64	FPS100148	10.00
1	1-52/64	FPS100152	10.00
1/4	1-52/64	FPS125152L	14.29
1/4	1-56/64	FPS125156L	14.29
1/4	1-60/64	FPS125160L	14.29
1-1/2	1-60/64	FPS150160L	17.10
1-1/2	2	FPS150200L	17.10
1-1/2	2-4/64	FPS150204L	17.10
1-1/2	2-8/64	FPS150208L	17.10
1-1/2	2-12/64	FPS150212L	17.10
1-1/2	2-16/64	FPS150216L	17.10
1-1/2	2-20/64	FPS150220L	17.10
1-1/2	2-24/64	FPS150224L	17.10
2	2-32/64	FPS200232L	20.76
2	2-36/64	FPS200236L	20.76
2	2-40/64	FPS200240L	20.76
2	2-44/64	FPS200244L	20.76
2	2-48/64	FPS200248L	20.76
2	2-52/64	FPS200252L	20.76
2	2-56/64	FPS200256L	20.76
2	2-60/64	FPS200260L	20.76
2-1/2	3-8/64	FPS250308L	28.55
2-1/2	3-12/64	FPS250312L	28.55
2-1/2	3-16/64	FPS250316L	28.55
2-1/2	3-20/64	FPS250320L	28.55
2-1/2	3-28/64	FPS250328L	28.55



LIGHT DUTY FERRULES

LIGHT DUTY FERRULES

for use with couplings shown below:



All Campbell Universals
Section E



UniversaLock
Section E



Single-Lock (Bowes)
Section E



Double-Lock (Thor)
Section E



Plated Steel

hose size	ferrule i.d.	part number	list each
1/2	58/64	FLPS050058	1.15
1/2	60/64	FLPS050060	1.15
3/4	1-8/64	FLPS075108	1.55
3/4	1-10/64	FLPS075110	1.55
3/4	1-12/64	FLPS075112	1.55
3/4	1-14/64	FLPS075114	1.55
3/4	1-16/64	FLPS075116	1.55
3/4	1-18/64	FLPS075118	1.55
1	1-28/64	FLPS100128	2.35
1	1-30/64	FLPS100130	2.35
1	1-32/64	FLPS100132	2.35
1	1-34/64	FLPS100134	2.35
1	1-36/64	FLPS100136	2.35

304 Stainless

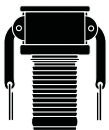
hose size	ferrule i.d.	part number	list each
1/2	5/8/64	FLSS050058	2.51
3/4	1-8/64	FLSS075108	2.91
3/4	1-10/64	FLSS075110	2.91
3/4	1-12/64	FLSS075112	2.91
3/4	1-14/64	FLSS075114	2.91
3/4	1-16/64	FLSS075116	2.91
3/4	1-18/64	FLSS075118	2.91
1	1-28/64	FLSS100128	4.28
1	1-30/64	FLSS100130	4.28
1	1-32/64	FLSS100132	4.28
1	1-34/64	FLSS100134	4.28
1	1-36/64	FLSS100136	4.28



SLEEVES

SLEEVES

for use with products shown below:



**Campbell
Cobra™
Parts C & E
Section C**



**Standard
Cobra™
Parts C & E
Section C**



Plated Steel

hose size	sleeve i.d.	part number	list each
3/4	1-8/64	SPS075108	4.81
3/4	1-12/64	SPS075112	4.81
3/4	1-16/64	SPS075116	4.81
3/4	1-20/64	SPS075120	4.81
3/4	1-24/64	SPS075124	4.81
1	1-16/64	SPS100116	4.70
1	1-20/64	SPS100120	4.70
1	1-24/64	SPS100124	4.70
1	1-28/64	SPS100128	4.70
1	1-32/64	SPS100132	4.70
1	1-36/64	SPS100136	4.70
1	1-40/64	SPS100140	4.70
1	1-44/64	SPS100144	4.70
1	1-48/64	SPS100148	4.70
1/4	1-56/64	SPS125156	4.79
1/4	2	SPS125200	4.79
1-1/2	1-48/64	SPS150148	4.83
1-1/2	1-52/64	SPS150152	4.83
1-1/2	1-56/64	SPS150156	4.83
1-1/2	1-60/64	SPS150160	4.83
1-1/2	2	SPS150200	4.83
1-1/2	2-4/64	SPS150204	4.83
1-1/2	2-8/64	SPS150208	4.83
1-1/2	2-12/64	SPS150212	4.83
1-1/2	2-16/64	SPS150216	4.83
1-1/2	2-20/64	SPS150220	4.83
1-1/2	2-24/64	SPS150224	4.83

2	2-16/64	SPS200216	5.70
2	2-24/64	SPS200224	5.70
2	2-28/64	SPS200228	5.70
2	2-32/64	SPS200232	5.70
2	2-36/64	SPS200236	5.70
2	2-40/64	SPS200240	5.70
2	2-44/64	SPS200244	5.70
2	2-48/64	SPS200248	5.70
2	2-52/64	SPS200252	5.70
2	2-56/64	SPS200256	5.70
2	2-60/64	SPS200260	5.70
2	3	SPS200300	5.70
2	3-2/64	SPS200302	5.70
2-1/2	3	SPS250300	8.70
2-1/2	3-8/64	SPS250308	8.70
2-1/2	3-16/64	SPS250316	8.70
2-1/2	3-24/64	SPS250324	8.70
2-1/2	3-32/64	SPS250332	8.70
2-1/2	3-34/64	SPS250334	8.70
3	3-16/64	SPS300316	10.24
3	3-24/64	SPS300324	10.24
3	3-28/64	SPS300328	10.24
3	3-32/64	SPS300332	10.24
3	3-36/64	SPS300336	10.24
3	3-40/64	SPS300340	10.24
3	3-44/64	SPS300344	10.24
3	3-48/64	SPS300348	10.24
3	3-52/64	SPS300352	10.24
3	3-56/64	SPS300356	10.24
3	3-60/64	SPS300360	10.24
3	4	SPS300400	10.24
3	4-2/64	SPS300402	10.24
4	4-16/64	SPS400416	13.80
4	4-24/64	SPS400424	13.80
4	4-32/64	SPS400432	13.80
4	4-36/64	SPS400436	13.80
4	4-40/64	SPS400440	13.80
4	4-44/64	SPS400444	13.80
4	4-48/64	SPS400448	13.80
4	4-52/64	SPS400452	13.80
4	4-56/64	SPS400456	13.80
4	4-60/64	SPS400460	13.80
4	5	SPS400500	13.80
4	5-2/64	SPS400502	13.80
5	5-36/64	SPS500536	33.69
5	5-48/64	SPS500548	33.69
5	5-60/64	SPS500560	33.69
6	6-16/64	SPS600616	37.86
6	6-24/64	SPS600624	37.86
6	6-32/64	SPS600632	37.86
6	6-40/64	SPS600640	37.86
6	6-48/64	SPS600648	37.86
6	6-56/64	SPS600656	37.86
6	6 7	SPS600700	37.86
6	6 7-8/64	SPS600708	37.86
6	6 7-16/64	SPS600716	37.86
6	6 7-24/64	SPS600724	37.86
8	8-16/64	SPS800816	65.58
8	8-32/64	SPS800832	65.58
8	8-40/64	SPS800840	65.58
8	8-48/64	SPS800848	65.58
8	9	SPS800900	65.58
8	9-16/64	SPS800916	65.58
8	9-32/64	SPS800932	65.58
8	9-40/64	SPS800940	65.58
8	9-48/64	SPS800948	65.58

continued on next page

SLEEVES (continued from previous page)

304 Stainless

hose size	sleeve i.d.	part number	list each
3/4	1-4/64	SSS075104	7.78
3/4	1-8/64	SSS075108	7.78
3/4	1-12/64	SSS075112	7.78
3/4	1-16/64	SSS075116	7.78
3/4	1-24/64	SSS075124	7.78
1	1-16/64	SSS100116	7.55
1	1-20/64	SSS100120	7.55
1	1-24/64	SSS100124	7.55
1	1-28/64	SSS100128	7.55
1	1-32/64	SSS100132	7.55
1	1-36/64	SSS100136	7.55
1	1-40/64	SSS100140	7.55
1	1-44/64	SSS100144	7.55
1	1-48/64	SSS100148	7.55
1-1/4	1-56/64	SSS125156	8.53
1-1/4	2	SSS125200	8.53
1-1/2	1-52/64	SSS150152	8.47
1-1/2	1-56/64	SSS150156	8.47
1-1/2	1-60/64	SSS150160	8.47
1-1/2	2	SSS150200	8.47
1-1/2	2-4/64	SSS150204	8.47
1-1/2	2-8/64	SSS150208	8.47
1-1/2	2-12/64	SSS150212	8.47
1-1/2	2-16/64	SSS150216	8.47
1-1/2	2-20/64	SSS150220	8.47
1-1/2	2-24/64	SSS150224	8.47
2	2-16/64	SSS200216	11.74
2	2-24/64	SSS200224	11.74
2	2-28/64	SSS200228	11.74
2	2-32/64	SSS200232	11.74
2	2-36/64	SSS200236	11.74
2	2-40/64	SSS200240	11.74
2	2-44/64	SSS200244	11.74
2	2-48/64	SSS200248	11.74
2	2-52/64	SSS200252	11.74
2	2-56/64	SSS200256	11.74
2	2-60/64	SSS200260	11.74
2	3	SSS200300	11.74
2	3-2/64	SSS200302	11.74
2-1/2	3	SSS250300	16.56
2-1/2	3-8/64	SSS250308	16.56
2-1/2	3-16/64	SSS250316	16.56
2-1/2	3-24/64	SSS250324	16.56
2-1/2	3-32/64	SSS250332	16.56
2-1/2	3-34/64	SSS250334	16.56
3	3-24/64	SSS300324	17.04
3	3-28/64	SSS300328	17.04
3	3-32/64	SSS300332	17.04
3	3-36/64	SSS300336	17.04
3	3-40/64	SSS300340	17.04
3	3-44/64	SSS300344	17.04
3	3-48/64	SSS300348	17.04
3	3-52/64	SSS300352	17.04
3	3-56/64	SSS300356	17.04
3	3-60/64	SSS300360	17.04
3	4	SSS300400	17.04
3	4-2/64	SSS300402	17.04
4	4-32/64	SSS400432	28.33
4	4-36/64	SSS400436	28.33
4	4-40/64	SSS400440	28.33
4	4-44/64	SSS400444	28.33
4	4-48/64	SSS400448	28.33
4	4-52/64	SSS400452	28.33
4	4-56/64	SSS400456	28.33
4	4-60/64	SSS400460	28.33
4	5	SSS400500	28.33
4	5-2/64	SSS400502	28.33

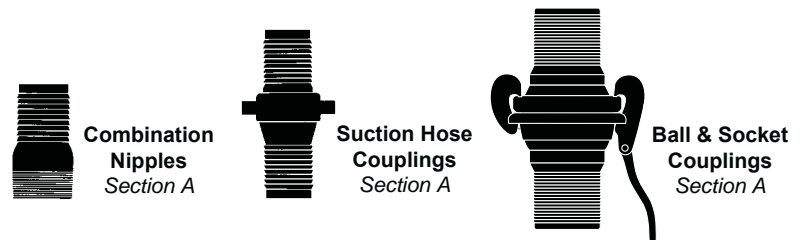
6	6-16/64	SSS600616	72.56
6	6-24/64	SSS600624	72.56
6	6-32/64	SSS600632	72.56
6	6-40/64	SSS600640	72.56
6	6-48/64	SSS600648	72.56
6	6-56/64	SSS600656	72.56
6	7	SSS600700	72.56
6	7-8/64	SSS600708	72.56
6	7-16/64	SSS600716	72.56
8	NEW!	SSS800XXX	POR

Aluminum

2	2-28/64	SAL200228	10.95
2	2-32/64	SAL200232	10.95
2	2-36/64	SAL200236	10.95
2	2-40/64	SAL200240	10.95
2	2-44/64	SAL200244	10.95
2	2-48/64	SAL200248	10.95
2	2-52/64	SAL200252	10.95
2	2-56/64	SAL200256	10.95
2	2-60/64	SAL200260	10.95
2	3	SAL200300	10.95
3	3-32/64	SAL300332	16.55
3	3-36/64	SAL300336	16.55
3	3-40/64	SAL300340	16.55
3	3-44/64	SAL300344	16.55
3	3-48/64	SAL300348	16.55
3	3-52/64	SAL300352	16.55
3	3-56/64	SAL300356	16.55
3	3-60/64	SAL300360	16.55
3	4	SAL300400	16.55
3	4-4/64	SAL300404	16.55
4	4-36/64	SAL400436	22.16
4	4-40/64	SAL400440	22.16
4	4-44/64	SAL400444	22.16
4	4-48/64	SAL400448	22.16
4	4-52/64	SAL400452	22.16
4	4-56/64	SAL400456	22.16
4	4-60/64	SAL400460	22.16
4	5	SAL400500	22.16
4	5-4/64	SAL400504	22.16
4	5-8/64	SAL400508	22.16

SLEEVES

for use with products shown below:



Plated Steel

hose size	sleeve i.d.	part number	list each
1/2	1	SPS050100S	4.87
3/4	1-8/64	SPS075108S	4.90
3/4	1-12/64	SPS075112S	4.90
3/4	1-16/64	SPS075116S	4.90
3/4	1-20/64	SPS075120S	4.90
3/4	1-24/64	SPS075124S	4.90
1	1-28/64	SPS100128S	4.70
1	1-32/64	SPS100132S	4.70
1	1-36/64	SPS100136S	4.70
1	1-40/64	SPS100140S	4.70
1	1-44/64	SPS100144S	4.70
1	1-48/64	SPS100148S	4.70

hose size	sleeve i.d.	part number	list each								
1-1/4	1-40/64	SPS125140S	4.94	8	8-16/64	SPS800816	65.58	3	3-8/64	SSS300308S	17.04
1-1/4	1-48/64	SPS125148S	4.94	8	8-32/64	SPS800832	65.58	3	3-16/64	SSS300316S	17.04
1-1/4	1-52/64	SPS125152S	4.94	8	8-40/64	SPS800840	65.58	3	3-24/64	SSS300324S	17.04
1-1/4	1-56/64	SPS125156S	4.94	8	8-48/64	SPS800848	65.58	3	3-24/64	SSS300328S	17.04
1-1/2	1-60/64	SPS150160S	4.94	8	9	SPS800900	65.58	3	3-28/64	SSS300332S	17.04
1-1/2	2	SPS150200S	4.94	8	9-16/64	SPS800916	65.58	3	3-36/64	SSS300336S	17.04
1-1/2	2-4/64	SPS150204S	4.94	8	9-32/64	SPS800932	65.58	3	3-40/64	SSS300340S	17.04
1-1/2	2-8/64	SPS150208S	4.94	8	9-40/64	SPS800940	65.58	3	3-44/64	SSS300344S	17.04
1-1/2	2-12/64	SPS150212S	4.94	10	9-48/64	SPS800948	65.58	3	3-48/64	SSS300348S	17.04
1-1/2	2-16/64	SPS150216S	4.94	10	10-32/64	SPS101032	90.90	3	3-52/64	SSS300352S	17.04
1-1/2	2-20/64	SPS150220S	4.94	10	10-48/64	SPS101048	90.90	3	3-56/64	SSS300356S	17.04
1-1/2	2-24/64	SPS150224S	4.94	10	10-56/64	SPS101056	90.90	3	3-60/64	SSS300360S	17.04
2	2-8/64	SPS200208S	5.99	10	11	SPS101100	90.90	3	4	SSS300400S	17.04
2	2-16/64	SPS200216S	5.99	10	11-16/64	SPS101116	90.90	4	4-16/64	SSS400416S	28.33
2	2-24/64	SPS200224S	5.99	10	11-32/64	SPS101132	90.90	4	4-24/64	SSS400424S	28.33
2	2-28/64	SPS200228S	5.99	12	11-48/64	SPS101148	90.90	4	4-32/64	SSS400432S	28.33
2	2-32/64	SPS200232S	5.99	12	NEW! 12-32/64	SPS121232	141.11	4	4-36/64	SSS400436S	28.33
2	2-36/64	SPS200236S	5.99	12	NEW! 12-48/64	SPS121248	141.11	4	4-40/64	SSS400440S	28.33
2	2-40/64	SPS200240S	5.99					4	4-44/64	SSS400444S	28.33
2	2-44/64	SPS200244S	5.99					4	4-48/64	SSS400448S	28.33
2	2-48/64	SPS200248S	5.99					4	4-52/64	SSS400452S	28.33
2	2-52/64	SPS200252S	5.99	1/2	1	SSS050100S	7.42	4	4-56/64	SSS400456S	28.33
2	2-56/64	SPS200256S	5.99	3/4	1-4/64	SSS075104S	7.42	4	4-60/64	SSS400460S	28.33
2	2-60/64	SPS200260S	5.99	3/4	1-8/64	SSS075108S	7.42	4	5	SSS400500S	28.33
2	3	SPS200300S	5.99	3/4	1-12/64	SSS075112S	7.42	6	6-16/64	SSS600616	72.56
2-1/2	2-48/64	SPS250248S	8.18	3/4	1-16/64	SSS075116S	7.42	6	6-24/64	SSS600624	72.56
2-1/2	2-56/64	SPS250256S	8.18	3/4	1-20/64	SSS075120S	7.42	6	6-32/64	SSS600632	72.56
2-1/2	3	SPS250300S	8.18	3/4	1-24/64	SSS075124S	7.42	6	6-40/64	SSS600640	72.56
2-1/2	3-8/64	SPS250308S	8.18	3/4	1-28/64	SSS075128S	7.42	6	6-48/64	SSS600648	72.56
2-1/2	3-16/64	SPS250316S	8.18	1	1-32/64	SSS100132S	7.42	6	6-56/64	SSS600656	72.56
2-1/2	3-24/64	SPS250324S	8.18	1	1-36/64	SSS100136S	7.42	6	7	SSS600700	72.56
2-1/2	3-32/64	SPS250332S	8.18	1	1-40/64	SSS100140S	7.42	6	7-8/64	SSS600708	72.56
3	3-8/64	SPS300308S	10.04	1	1-44/64	SSS100144S	7.42	6	7-16/64	SSS600716	72.56
3	3-16/64	SPS300316S	10.04	1	1-48/64	SSS100148S	7.42	6	7-24/64	SSS600724	72.56
3	3-24/64	SPS300324S	10.04	1-1/4	1-40/64	SSS125140S	8.84	8	NEW!	SSS800XXX	POR
3	3-28/64	SPS300328S	10.04	1-1/4	1-48/64	SSS125148S	8.84	10	NEW!	SSS101XXX	POR
3	3-32/64	SPS300332S	10.04	1-1/4	1-52/64	SSS125152S	8.84	12	NEW!	SSS121XXX	POR
3	3-36/64	SPS300336S	10.04	1-1/2	1-56/64	SSS125156S	8.84				
3	3-40/64	SPS300340S	10.04	1-1/2	1-50/64	SSS150150S	8.84				
3	3-44/64	SPS300344S	10.04	1-1/2	2	SSS150200S	8.84				
3	3-48/64	SPS300348S	10.04	1-1/2	2-4/64	SSS150204S	8.84				
3	3-52/64	SPS300352S	10.04	1-1/2	2-8/64	SSS150208S	8.84				
3	3-56/64	SPS300356S	10.04	1-1/2	2-12/64	SSS150212S	8.84				
3	3-60/64	SPS300360S	10.04	1-1/2	2-16/64	SSS150216S	8.84				
3	4	SPS300400S	10.04	1-1/2	2-20/64	SSS150220S	8.84				
4	4-16/64	SPS400416S	13.53	1-1/2	2-24/64	SSS150224S	8.84				
4	4-24/64	SPS400424S	13.53	2	2-8/64	SSS200208S	12.70				
4	4-32/64	SPS400432S	13.53	2	2-16/64	SSS200216S	12.70				
4	4-36/64	SPS400436S	13.53	2	2-24/64	SSS200224S	12.70				
4	4-40/64	SPS400440S	13.53	2	2-28/64	SSS200228S	12.70				
4	4-44/64	SPS400444S	13.53	2	2-32/64	SSS200232S	12.70				
4	4-48/64	SPS400448S	13.53	2	2-36/64	SSS200236S	12.70				
4	4-52/64	SPS400452S	13.53	2	2-40/64	SSS200240S	12.70				
4	4-56/64	SPS400456S	13.53	2	2-44/64	SSS200244S	12.70				
4	4-60/64	SPS400460S	13.53	2	2-48/64	SSS200248S	12.70				
4	5	SPS400500S	13.53	2	2-52/64	SSS200252S	12.70				
5	5-36/64	SPS500536	33.69	2	2-56/64	SSS200256S	12.70				
5	5-48/64	SPS500548	33.69	2	2-60/64	SSS200260S	12.70				
5	5-60/64	SPS500560	33.69	2-1/2	3	SSS250300S	16.56				
6	6-16/64	SPS600616	37.86	2-1/2	3-8/64	SSS250308S	16.56				
6	6-24/64	SPS600624	37.86	2-1/2	3-16/64	SSS250316S	16.56				
6	6-32/64	SPS600632	37.86	2-1/2	3-24/64	SSS250324S	16.56				
6	6-40/64	SPS600640	37.86	2-1/2	3-32/64	SSS250332S	16.56				
6	6-48/64	SPS600648	37.86								
6	6-56/64	SPS600656	37.86								
6	7	SPS600700	37.86								
6	7-8/64	SPS600708	37.86								
6	7-16/64	SPS600716	37.86								
6	7-24/64	SPS600724	37.86								

304 Stainless

Glossary of Campbell Crimpnology™ Terms

Crimp Chart: a chart designed to assist in determining the crimp spec, which includes allowances for serration style, fitting and ferrule/sleeve O.D. and design.

Crimp Spec (or specification): the outside diameter of the ferrule/sleeve after assembling and crimping.

Cut-slots: notches cut into the turned-in end of a ferrule that allows the interlock portion to crimp straight down into the fitting interlock without opening outward during crimping.

Ferrule: a tube-like product with one end turned in, so as to affect an interlock into a groove on a mating fitting or coupling.

Ferrule Length: the overall length of the ferrule as measured from the turn-in end to the open end.

Ferrule/Sleeve I.D.: the inside bowl diameter of the ferrule; the inside diameter of the sleeve; the inside diameter of either where the hose is placed.

Gauge: the thickness of the ferrule/sleeve material.

Interlock Groove: a groove designed into the fitting/coupling to accept the turn-in end of the ferrule.

Shank Length: the hose barb area measured from the end of the fitting to the interlock groove.

Sleeve: a tube-like product with no interlock provisions.

Sleeve Length: the overall length of the sleeve from end to end.

Turn-in: the interlocking end of the ferrule.