

PRESSURE VALVES

BACK PRESSURE VALVES & PRESSURE RELIEF VALVES

PROTECT PROCESS SYSTEMS FROM FLUCTUATING PRESSURE OR BLOCKAGE.



FEATURES & BENEFITS:

- CNC precision machined parts
- Pressure rated to 150 PSI (350 PSI also available)
- Cost efficient and reliable
- Variety of materials available
- Anti-syphon protection
- Optional air release and pressure gauge port on Back Pressure Valves
- Optional right-angle, 3-port design on Pressure Relief Valves



GET QUOTES QUICKLY ONLINE:

For quick and simple pricing requests, the SENTINEL Back Pressure Valves and Pressure Relief Valves are now available online at Blacoh.com. Visit the **SpeedQuote** to enter a part number and instantly get pricing or a spec-sheet drawing. Always conveniently available 24/7.



ABOUT

SENTINEL Back Pressure Valves

Blacoh Back Pressure Valves prevent siphoning and varying rates of dosage from fluctuating downstream pressure by enacting positive discharge pressure in your metering pump system.

SENTINEL Pressure Relief Valves

Blacoh Pressure Relief Valves operate when the system pressure raises above the set pressure of the valve to protect systems from damage due to blockages or excessive pressure situations.



Enhance the performance of pumping systems by applying a continuous back pressure to the system pump, while also acting as an anti-syphon valve.



Chemically resistant PTFE diaphragm comes standard on all units.



Robust construction ensures reliability in the rigorous service of municipal and industrial applications.

SENTINEL PRESSURE VALVES

Specifications

Max Flow Range @150 PSI				
VBP Part#	VPR Part#	Size	Pulsating US GPH	Continuous US GPM
VBP-025-*.**	VPR-025-*.**	1/4"	100	10
VBP-038-*.**	VPR-038-*.**	3/8"	200	15
VBP-049-*.**	VPR-049-*.**	1/2" (mini)	350	17.5
VBP-050-*.**	VPR-050-*.**	1/2" (std.)	500	25
VBP-075-*.**	VPR-075-*.**	3/4"	600	30
VBP-100-*.**	VPR-100-*.**	1"	600	30
VBP-150-*.**	VPR-150-*.**	1-1/2"	1350	67
VBP-200-*.**	VPR-200-*.**	2"	2000	100
(*) Body Material (ordering example: VBP-025-PP = 1/4" Polypropylene)				
PVC - PVC		PVDF - Kynar		
PP - Polypropylene		SS - 316 S.S.		
CPVC - CPVC		A20 - Alloy 20 S.S.		
PTFE - PTFE		H276 - HASTELLOY®		
(**) Diaphragm Material		T - PTFE, E - EPDM, V - VITON		
Pressure Range (PSI)		5-150 (50-350 PSI available on metal valves)		
Maximum Temperature		Plastic: 140° F, Metal: 300° F		
Material (Valve Top)		PVC, 316 S.S. or CPVC		

VBP= Valve, Back Pressure

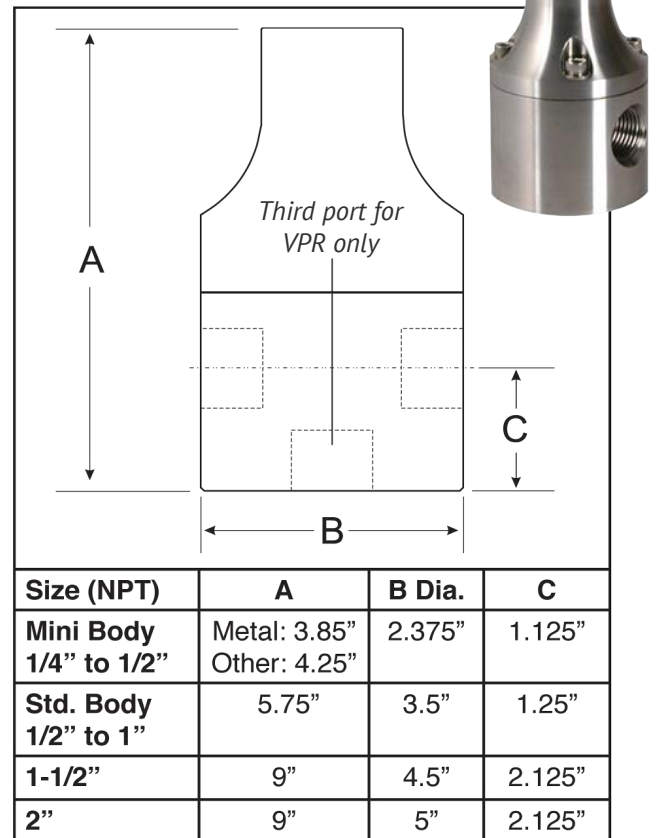
VPR= Valve, Pressure Relief

Flanged and union connections also available.



All units are NSF ISO 9001:2008 Certified

Dimensions



Larger sizes upon request.

CALIBRATION CYLINDERS

- Calibration columns & cylinders determine pump flow rate for metering pumps quickly and easily
- Enhance the performance of chemical feed systems
- Easy to read measurements in milliliters/minute and gallons/hour
- Robust construction of clear PVC and removable tops for cleaning



Part of the

BLACOH™
FLUID CONTROL

family of products

