

INTRODUCING THE

# AODDampener™

POWERED BY **BLACOH™**

**ALL-NEW DAMPENER DESIGNED SPECIFICALLY FOR AODD PUMPS**



ALL UNITS:  
PTFE BACKED  
DIAPHRAGM



ALL UNITS:  
316L  
STAINLESS  
STEEL  
HOUSING

1", 1.5" & 2"  
FNPT & BSP  
CONNECTION



FULLY  
AUTOMATIC  
AIR CONTROL



## WHAT MAKES THIS UNIT UNIQUE?

The new Blacoh AODDampener is specifically designed for AODD pumps and constructed of 316L Stainless Steel with a PTFE backed diaphragm. This single configuration will allow the unit to handle most AODD applications and is great for off-the-shelf capabilities.

We are dedicated to providing you with the most competitive pricing while still maintaining that the AODDampener is sourced, manufactured and assembled to ISO 9001:2008 standards here in the United States. Like all Blacoh products, you can be assured of the quality and care we put into every unit. Utilize this unit to improve your AODD pump, reduce harmful vibrations, and save on overall system energy costs.

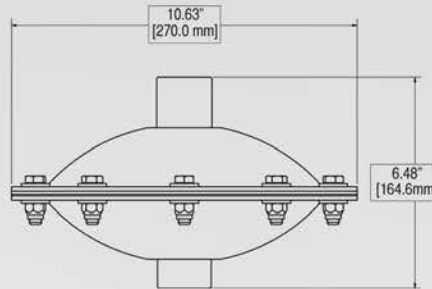
[www.BLACOH.com/AODDampener](http://www.BLACOH.com/AODDampener)



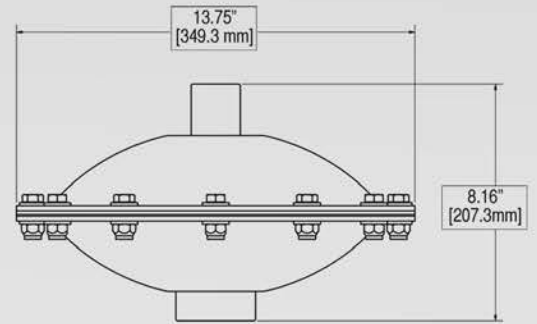


# AODDampener™

COMPACT FOOTPRINT & LIGHTWEIGHT  
AVAILABLE IN 2 SIZES FOR CONVENIENT STOCKING



For 1" Pumps



For 1.5" & 2" Pumps

### Fully Automatic Air Control

Our newly designed fully automatic air control is connected internally to the diaphragm and automatically adjusts when needed for low air consumption.

### SPECIFICATIONS:

- OPTIONAL CERTIFICATIONS: ATEX
- PRESSURE RATING: 150 PSI/10.3 BAR
- 316L STAINLESS STEEL HOUSING
- PTFE BACKED DIAPHRAGM
- FITS 1.0, 1.5, & 2.0" AODD PUMPS
- FNPT OR BSP INLET CONNECTION

### FEATURES & BENEFITS:

- MARKET RESPONSIVE TO CUSTOMER NEEDS
- PROTECTS IN-LINE EQUIPMENT
- COMPACT FOOTPRINT
- STANDARDIZED FOR OFF-THE-SHELF CAPABILITIES
- BULK DISCOUNTS AVAILABLE

AODD Pump Size	AODDamp Part Number	Spare Parts Kit Number
1.0" [25.4mm]	AOD-10-NPT AOD-10-BSP	AOD-10-100
1.5" [38.1mm]	AOD-15-NPT AOD-15-BSP	AOD-15-100
2.0" [50.8mm]	AOD-20-NPT AOD-20-BSP	AOD-20-100

ATEX certification also available. Add -AT to end of part number.



800.603.7867 | 951.342.3100 | Sales@Blacoh.com  
USA · ARGENTINA · AUSTRALIA · AUSTRIA · CHINA · GERMANY · KOREA

www.BLACOH.COM