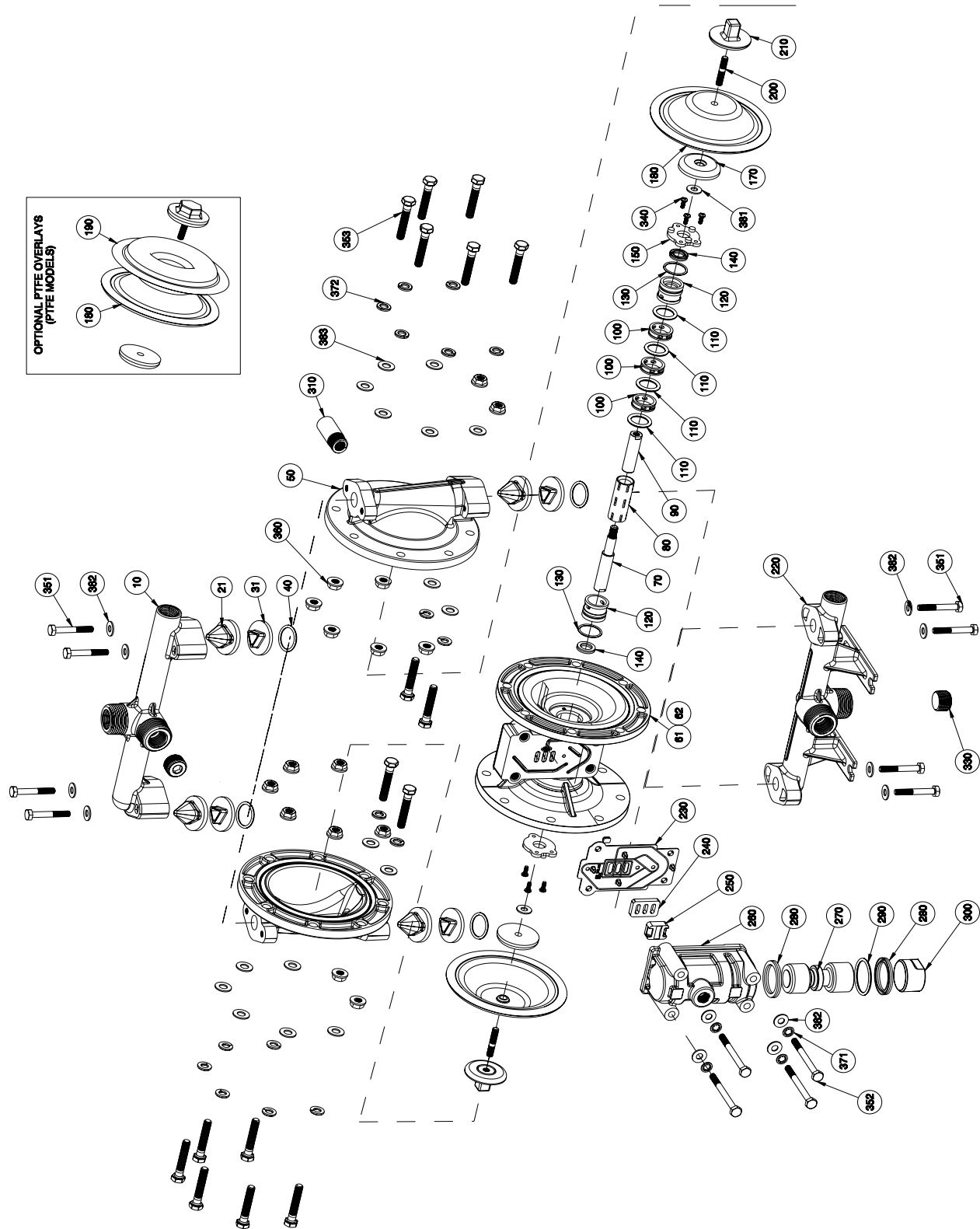


EXPLODED VIEW & PARTS LIST

ALUMINUM AND STAINLESS STEEL PUMPS WITH ALUMINUM CENTER SECTION (S050-*A*-*-*-***)



PARTS LIST - ALUMINUM AND STAINLESS STEEL PUMPS WITH ALUMINUM CENTER SECTION (S050-*A*-*-*-***)

| ITEM | DESCRIPTION | QTY | PUMP MODEL | PART NO. | MATERIAL |
|-----------|-----------------------------|-----|------------------|------------------|-----------------|
| 10 | DISCHARGE MANIFOLD | 1 | S050-N*A-*-*-0** | 11329-20-MP-NPT | Aluminum |
| | | | S050-B*A-*-*-0** | 11329-20-MP-BSPT | Aluminum |
| | | | S050-N*3-*-*-0** | 11329-26-MP-NPT | Stainless Steel |
| | | | S050-B*3-*-*-0** | 11329-26-MP-BSPT | Stainless Steel |
| 21 | MAX-PASS™ VALVE | 4 | S050-*-*N**-* | 10915-11 | Nitrile |
| | | | S050-*-*V**-* | 10915-13 | Viton®/FKM |
| | | | S050-*-*E**-* | 10915-15 | EPDM |
| 31 | MAX-PASS™ BACKUP | 4 | S050-*-*A**-* | 10923-20 | Aluminum |
| | | | S050-*-*3**-* | 10923-26 | Stainless Steel |
| 40 | O-RING (VALVE SEAT) | 4 | S050-*-*N**-* | 11904-11 | Nitrile |
| | | | S050-*-*V**-* | 11904-13 | Viton®/FKM |
| | | | S050-*-*E**-* | 11904-15 | EPDM |
| | | | S050-*-*T**-* | 11904-17 | PTFE |
| 50 | OUTER CHAMBER | 2 | S050-*A**-* | 10720-20-MP | Aluminum |
| | | | S050-*3**-* | 10720-26-MP | Stainless Steel |
| 61 & 62 | INTERMEDIATE | 1 | S050-*A**-* | 11527-20 | Aluminum |
| 70 & 90 | DIAPHRAGM ROD ASSEMBLY | 1 | ALL MODELS | 33000-00 | Stainless Steel |
| 80 | PILOT SLEEVE | 1 | ALL MODELS | 10105-31 Δ | Acetel |
| 100 | INNER SPACER (PILOT SLEEVE) | 3 | ALL MODELS | 10203-40 Δ | Polypropylene |
| 110 | O-RING (PILOT SLEEVE) | 4 | ALL MODELS | 11920-16 Δ | Urethane |
| 120 | END SPACER (PILOT SLEEVE) | 2 | ALL MODELS | 10204-40 Δ | Polypropylene |
| 130 | O-RING (END SPACER) | 2 | ALL MODELS | 11923-11 Δ | Nitrile |
| 140 | LIP SEAL (DIAPHRAGM ROD) | 2 | ALL MODELS | 12000-76 Δ | Nitrile |
| 150 | RETAINING PLATE | 2 | ALL MODELS | 12708-54 | Nylon |
| 160 | N/A | | | | |
| 170 | INNER DIAPHRAGM PLATE | 2 | ALL MODELS | 11100-40 | Polypropylene |
| 180 | DIAPHRAGM | 2 | S050-*V**-* | 10600-13 | Viton®/FKM |
| | | | S050-*G**-* | 10600-19 | Geolast® |
| | | | S050-*N**-* | 10600-21 | Nitrile |
| | | | S050-*S**-* | 10600-23 | Santoprene® |
| | | | S050-*T**-* | 10600-23 | Santoprene® |
| 190 | OVERLAY (OPTIONAL) | 2 | S050-*T**-* | 11400-59 | PTFE |
| 200 & 210 | OUTER DIAPHRAGM PLATE | 2 | S050-*A**-* | 11208-20 | Aluminum |
| | | | S050-*3**-* | 11208-26 | Stainless Steel |
| 220 | SUCTION MANIFOLD | 1 | S050-N*A-*-*-0** | 11328-20-NPT | Aluminum |
| | | | S050-B*A-*-*-0** | 11328-20-BSPT | Aluminum |
| | | | S050-N*3-*-*-0** | 11328-26-NPT | Stainless Steel |
| | | | S050-B*3-*-*-0** | 11328-26-BSPT | Stainless Steel |
| 230 | AIR VALVE GASKET | 1 | ALL MODELS | 12126-19 ‡ | Nitrile |
| 240 | SHUTTLE PLATE | 1 | ALL MODELS | 10416-77 ‡ | Ceramic |
| 250 | SHUTTLE | 1 | ALL MODELS | 10415-00 ‡ | Special |
| 260 | AIR VALVE BODY | 1 | S050-*A**-* | 42001-20 ‡ | Aluminum |
| 270 | AIR VALVE SPOOL | 1 | ALL MODELS | 10480-31 ‡ | Acetel |
| 280 | LIP SEAL (AIR VALVE) | 2 | ALL MODELS | 12003-76 ‡ | Nitrile |
| 290 | O-RING (AIR VALVE END PLUG) | 1 | ALL MODELS | 11913-11 ‡ | Nitrile |
| 300 | AIR VALVE END PLUG | 1 | S050-*A**-* | 11706-20 ‡ | Aluminum |
| 310 | MUFFLER | 1 | ALL MODELS | 13008-00 | Standard |
| | MUFFLER (METAL) | | Optional | 13002-00 | Metal |
| 320 | N/A | | | | |

PARTS LIST - ALUMINUM AND STAINLESS STEEL PUMPS WITH ALUMINUM CENTER SECTION (S050-*A*-****-***)

| ITEM | DESCRIPTION | QTY | PUMP MODEL | PART NO. | MATERIAL |
|------|---------------------------------------|-----|--------------------|---------------|-----------------|
| 330 | PIPE PLUG | 2 | S050-N*A-****-*** | 12255-20-NPT | Aluminum |
| | | | S050-B*A-****-*** | 12255-20-BSPT | Aluminum |
| | | | S050-N*3-****-*** | 12255-26-NPT | Stainless Steel |
| | | | S050-B*3-****-*** | 12255-26-BSPT | Stainless Steel |
| 340 | PAN-HEAD MACH SCREW (#6-32 x 7/16) | 6 | S050-*A*-****-*** | 12585-26 | Stainless Steel |
| 351 | HEX HEAD CAP SCREW (1/4"-20 x 1-3/4") | 8 | S050-**A-****-*** | 12500-25 | Plated Steel |
| | | | S050-**3-****-*** | 12500-26 | Stainless Steel |
| 352 | HEX HEAD CAP SCREW (1/4"-20 x 2-3/4") | 4 | S050-**AA-****-*** | 12576-25 | Plated Steel |
| | | | S050-**A3-****-*** | 12576-26 | Stainless Steel |
| 353 | HEX HEAD CAP SCREW (5/16-18 x 1-3/4") | 16 | S050-**A-****-*** | 12503-25 | Plated Steel |
| | | | S050-**3-****-*** | 12503-26 | Stainless Steel |
| 360 | HEX FLANGE NUT (5/16"-18) | 16 | S050-**A-****-*** | 12608-25 | Plated Steel |
| | | | S050-**3-****-*** | 12608-26 | Stainless Steel |
| 371 | LOCK WASHER (1/4") | 4 | S050-**A-****-*** | 12350-25 | Plated Steel |
| | | | S050-**3-****-*** | 12350-26 | Stainless Steel |
| 372 | WASHER, SPLIT LOCK (5/16") | 16 | S050-**A-****-*** | 12313-25 | Plated Steel |
| | | | S050-**3-****-*** | 12313-26 | Stainless Steel |
| 381 | WASHER (1/4") | 2 | ALL MODELS | 12300-26 | Stainless Steel |
| 382 | WASHER (1/4") | 12 | S050-**A-****-*** | 12300-25 | Plated Steel |
| | | 12 | S050-**3-****-*** | 12300-26 | Stainless Steel |
| 383 | WASHER (5/16") | 16 | S050-**A-****-*** | 12310-25 | Plated Steel |
| | | | S050-**3-****-*** | 12310-26 | Stainless Steel |
| 390 | N/A | | | | |
| 400 | GROUNDING LUG (NOT SHOWN) | 1 | OPTIONAL | 13481-20 | Aluminum |
| | Magnalube® .75 oz. (As Required) | | ALL MODELS | 13404-00 | Grease |

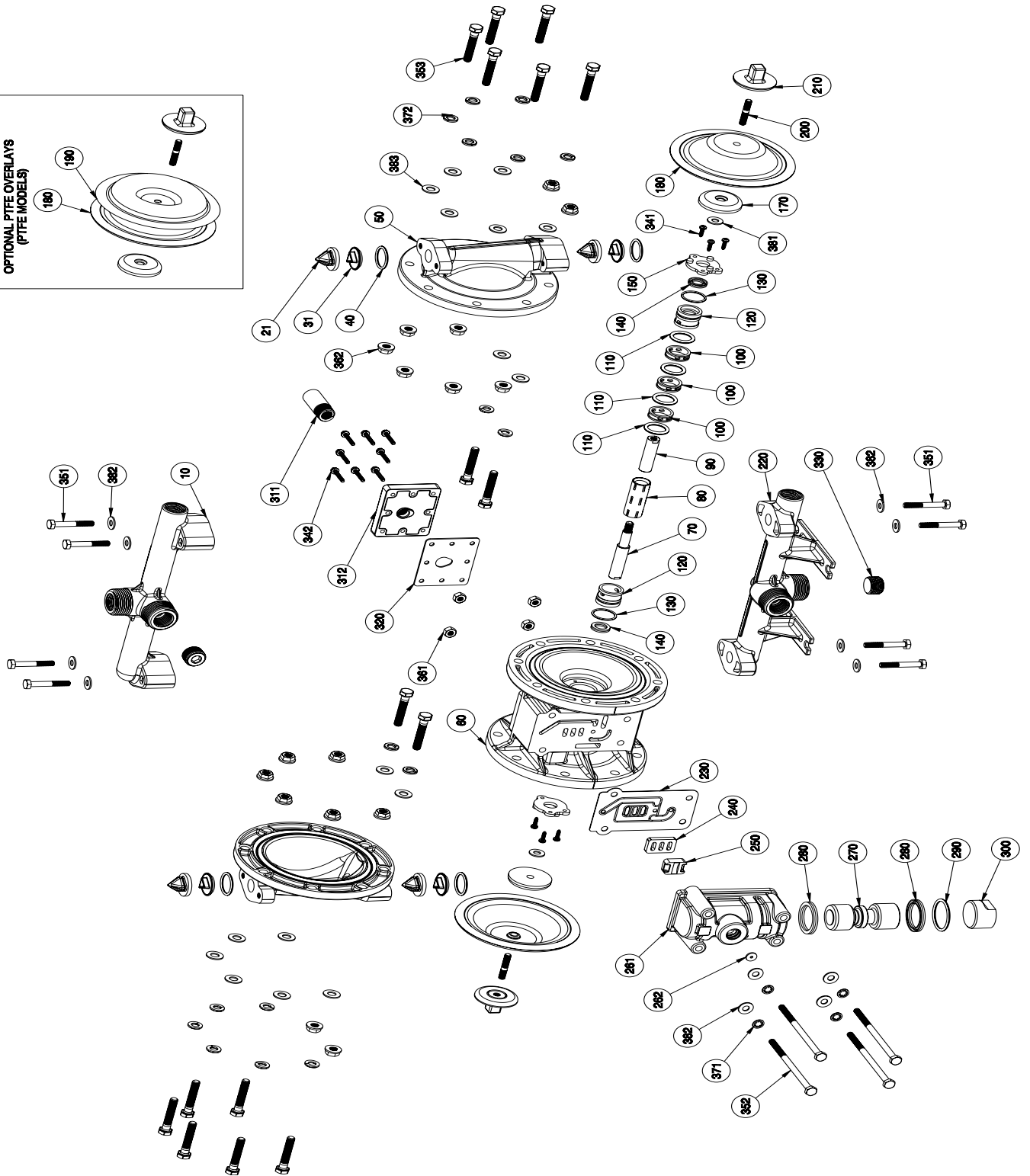
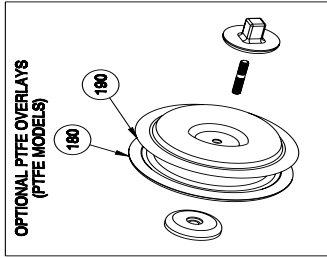
* Any Character

‡, Δ Only sold as part of assembly

| ASSEMBLY PART NUMBERS | PUMP MODEL | PART NO. | MATERIAL |
|--|-------------------|-----------|----------|
| ‡ AIR VALVE ASSEMBLY 230, 240, 250, 260, 270, 280, 290, 300 | S050-*A*-****-*** | SMK-050-A | Various |
| Δ PILOT SIEVE ASSEMBLY 80, 100, 110, 120, 130, 140 | S050-*A*-****-*** | SPK-050-A | Various |

EXPLODED VIEW & PARTS LIST

ALUMINUM AND STAINLESS STEEL PUMPS WITH PLASTIC CENTER SECTION (S050-*P*-*****-***)



PARTS LIST - ALUMINUM AND STAINLESS STEEL PUMPS WITH PLASTIC CENTER SECTION (S050-*P*-***-***)

| ITEM | DESCRIPTION | QTY | PUMP MODEL | PART NO. | MATERIAL |
|-----------|-----------------------------|-----|-------------------|------------------|-----------------|
| 10 | DISCHARGE MANIFOLD | 1 | S050-N*A-****-0** | 11329-20-MP-NPT | Aluminum |
| | | | S050-B*A-****-0** | 11329-20-MP-BSPT | Aluminum |
| | | | S050-N*3-****-0** | 11329-26-MP-NPT | Stainless Steel |
| | | | S050-B*3-****-0** | 11329-26-MP-BSPT | Stainless Steel |
| 21 | MAX-PASS™ VALVE | 4 | S050-***N*** | 10915-11 | Nitrile |
| | | | S050-***V*** | 10915-13 | Viton®/FKM |
| | | | S050-***E*** | 10915-15 | EPDM |
| 31 | MAX-PASS™ BACKUP | 4 | S050-***A*** | 10923-20 | Aluminum |
| | | | S050-***3*** | 10923-26 | Stainless Steel |
| 40 | O-RING (VALVE SEAT) | 4 | S050-***N*** | 11904-11 | Nitrile |
| | | | S050-***V*** | 11904-13 | Viton®/FKM |
| | | | S050-***E*** | 11904-15 | EPDM |
| | | | S050-***T*** | 11904-17 | PTFE |
| 50 | OUTER CHAMBER | 2 | S050-**A**** | 10720-20-MP | Aluminum |
| | | | S050-**3**** | 10720-26-MP | Stainless Steel |
| 60 | INTERMEDIATE | 1 | S050-*P*-****-*** | 11521-60 | Polypropylene |
| 70 & 90 | DIAPHRAGM ROD ASSEMBLY | 1 | ALL MODELS | 33000-00 | Stainless Steel |
| 80 | PILOT SLEEVE | 1 | ALL MODELS | 10105-31 Δ | Acetel |
| 100 | INNER SPACER (PILOT SLEEVE) | 3 | ALL MODELS | 10203-40 Δ | Polypropylene |
| 110 | O-RING (PILOT SLEEVE) | 4 | ALL MODELS | 11920-16 Δ | Urethane |
| 120 | END SPACER (PILOT SLEEVE) | 2 | ALL MODELS | 10204-40 Δ | Polypropylene |
| 130 | O-RING (END SPACER) | 2 | ALL MODELS | 11923-11 Δ | Nitrile |
| 140 | LIP SEAL (DIAPHRAGM ROD) | 2 | ALL MODELS | 12000-76 Δ | Nitrile |
| 150 | RETAINING PLATE | 2 | ALL MODELS | 12708-54 | Nylon |
| 160 | N/A | | | | |
| 170 | INNER DIAPHRAGM PLATE | 2 | ALL MODELS | 11100-40 | Polypropylene |
| 180 | DIAPHRAGM | 2 | S050-***V*** | 10600-13 | Viton®/FKM |
| | | | S050-***G*** | 10600-19 | Geolast® |
| | | | S050-***N*** | 10600-21 | Nitrile |
| | | | S050-***S*** | 10600-23 | Santoprene® |
| | | | S050-***T*** | 10600-23 | Santoprene® |
| 190 | OVERLAY (OPTIONAL) | 2 | S050-***T*** | 11400-59 | PTFE |
| 200 & 210 | OUTER DIAPHRAGM PLATE | 2 | S050-**A**** | 11208-20 | Aluminum |
| | | | S050-**3**** | 11208-26 | Stainless Steel |
| 220 | SUCTION MANIFOLD | 1 | S050-N*A-****-0** | 11328-20-NPT | Aluminum |
| | | | S050-B*A-****-0** | 11328-20-BSPT | Aluminum |
| | | | S050-N*3-****-0** | 11328-26-NPT | Stainless Steel |
| | | | S050-B*3-****-0** | 11328-26-BSPT | Stainless Steel |
| 230 | AIR VALVE GASKET | 1 | ALL MODELS | 12116-19 ‡ | Nitrile |
| 240 | SHUTTLE PLATE | 1 | ALL MODELS | 10416-77 ‡ | Ceramic |
| 250 | SHUTTLE | 1 | ALL MODELS | 10415-00 ‡ | Special |
| 261 | AIR VALVE BODY | 1 | S050-*P*-****-*** | 11614-60 ‡ | Polypropylene |
| 270 | AIR VALVE SPOOL | 1 | ALL MODELS | 10480-31 ‡ | Acetel |
| 280 | LIP SEAL (AIR VALVE) | 2 | ALL MODELS | 12003-76 ‡ | Nitrile |
| 290 | O-RING (AIR VALVE END PLUG) | 1 | ALL MODELS | 11913-11 ‡ | Nitrile |
| 300 | AIR VALVE END PLUG | 1 | S050-*P*-****-*** | 11703-60 ‡ | Polypropylene |
| 311 | MUFFLER | 1 | ALL MODELS | 13008-00 | Standard |
| | MUFFLER (METAL) | | Optional | 13002-00 | Metal |
| 312 | MUFFLER PLATE | 1 | S050-*P*-****-*** | 13111-60 | Polypropylene |

PARTS LIST - ALUMINUM AND STAINLESS STEEL PUMPS WITH PLASTIC CENTER SECTION (S050-*P*-****-***)

| ITEM | DESCRIPTION | QTY | PUMP MODEL | PART NO. | MATERIAL |
|------|---------------------------------------|-----|-------------------|---------------|-----------------|
| 320 | MUFFLER PLATE GASKET | 1 | S050-*P*-****-*** | 12117-19 | Nitrile |
| 330 | PIPE PLUG | 2 | S050-N*A-****-*** | 12255-20-NPT | Aluminum |
| | | | S050-B*A-****-*** | 12255-20-BSPT | Aluminum |
| | | | S050-N*3-****-*** | 12255-26-NPT | Stainless Steel |
| | | | S050-B*3-****-*** | 12255-26-BSPT | Stainless Steel |
| 341 | SCREW, SELF-TAP (#6 X 1/2") | 6 | S050-*P*-****-*** | 12510-26 | Stainless Steel |
| 342 | SCREW, SLOTTED HEAD SELF-TAP (1") | 8 | S050-*P*-****-*** | 12525-26 | Stainless Steel |
| 351 | HEX HEAD CAP SCREW (1/4"-20 x 1-3/4") | 8 | S050-**A-****-*** | 12500-25 | Plated Steel |
| | | | S050-**3-****-*** | 12500-26 | Stainless Steel |
| 352 | HEX HEAD CAP SCREW (1/4"-20 x 4-1/2") | 4 | S050-*PA-****-*** | 12513-25 | Plated Steel |
| | | | S050-*P3-****-*** | 12513-26 | Stainless Steel |
| 353 | HEX HEAD CAP SCREW (5/16-18 x 1-3/4") | 16 | S050-**A-****-*** | 12503-25 | Plated Steel |
| | | | S050-**3-****-*** | 12503-26 | Stainless Steel |
| 361 | HEX NUT (1/4"-20) | 4 | S050-*PA-****-*** | 12600-25 | Plated Steel |
| | | | S050-*P3-****-*** | 12600-26 | Stainless Steel |
| 362 | HEX FLANGE NUT (5/16"-18) | 16 | S050-*PA-****-*** | 12608-25 | Plated Steel |
| | | | S050-*P3-****-*** | 12608-26 | Stainless Steel |
| 371 | LOCK WASHER (1/4") | 4 | S050-**A-****-*** | 12350-25 | Plated Steel |
| | | | S050-**3-****-*** | 12350-26 | Stainless Steel |
| 372 | WASHER, SPLIT LOCK (5/16") | 16 | S050-**A-****-*** | 12313-25 | Plated Steel |
| | | | S050-**3-****-*** | 12313-26 | Stainless Steel |
| 381 | WASHER (1/4") | 2 | ALL MODELS | 12300-26 | Stainless Steel |
| 382 | WASHER (1/4") | 12 | S050-**A-****-*** | 12300-25 | Plated Steel |
| | | | S050-**3-****-*** | 12300-26 | Stainless Steel |
| 383 | WASHER (5/16") | 16 | S050-**A-****-*** | 12310-25 | Plated Steel |
| | | | S050-**3-****-*** | 12310-26 | Stainless Steel |
| 390 | N/A | | | | |
| 400 | GROUNDING LUG (NOT SHOWN) | 1 | OPTIONAL | 13481-20 | Aluminum |
| | Magnalube® .75 oz. (As Required) | | ALL MODELS | 13404-00 | Grease |

* Any Character

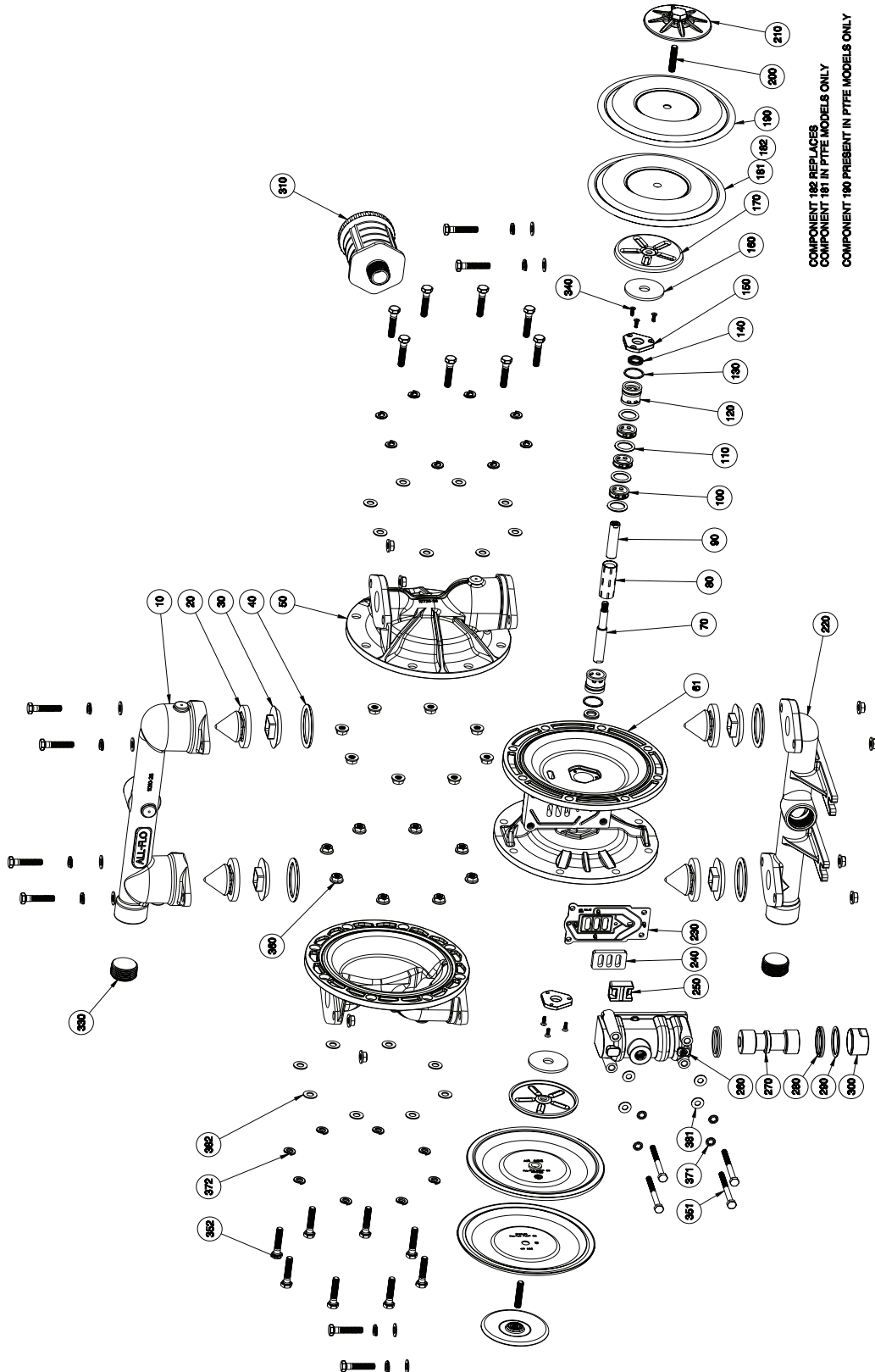
‡, Δ Only sold as part of assembly

| ASSEMBLY PART NUMBERS | PUMP MODEL | PART NO. | MATERIAL |
|--|-------------------|-----------|----------|
| ‡ AIR VALVE ASSEMBLY 230, 240, 250, 261, 270, 280, 290, 300 | S050-*P*-****-*** | SMK-050-P | Various |
| Δ PILOT SIEVE ASSEMBLY 80, 100, 110, 120, 130, 140 | S050-*P*-****-*** | SPK-050-P | Various |

EXPLODED VIEW & PARTS LIST

ALUMINUM & STAINLESS STEEL

S100-*A*-*-*-*-*



COMPONENT 182 REPLACES
COMPONENT 181 IN PTFE MODELS ONLY
COMPONENT 190 PRESENT IN PTFE MODELS ONLY



PARTS LIST - ALUMINUM & STAINLESS STEEL

S100-*A*-****-***

| ITEM | DESCRIPTION | QTY | PUMP MODEL | PART NO. | MATERIAL |
|---------|-------------------------------|-----|-------------------|------------------|-----------------|
| 10 | DISCHARGE MANIFOLD | 1 | S100-NAA-****-0** | 11310-20-NPT-MP | Aluminum |
| | | | S100-BAA-****-0** | 11310-20-BSPT-MP | Aluminum |
| | | | S100-NA3-****-0** | 11310-26-NPT-MP | Stainless Steel |
| | | | S100-BA3-****-0** | 11310-26-BSPT-MP | Stainless Steel |
| 20 | MAX-PASS™ VALVE | 4 | S100-BA3-*N**-* | 10911-11 | Nitrile |
| | | | S100-BA3-*E**-* | 10911-15 | EPDM |
| | | | S100-BA3-*V**-* | 10911-82 | Viton |
| 30 | MAX-PASS™ BACKUP | 4 | S100-BA3-*A**-* | 10912-20 | Aluminum |
| | | | S100-BA3-*S**-* | 10912-26 | Stainless Steel |
| 40 | O-RING (VALVE SEAT) | 4 | S100-*A*-***N-*** | 11947-11 | Nitrile |
| | | | S100-*A*-***V-*** | 11947-13 | Viton®/FKM |
| | | | S100-*A*-***E-*** | 11947-15 | EPDM |
| | | | S100-*A*-***T-*** | 11947-17 | PTFE |
| 50 | OUTER CHAMBER | 2 | S100-*AA-****-*** | 10726-20-MP | Aluminum |
| | | | S100-*A3-****-*** | 10726-26-MP | Stainless Steel |
| 61 | INTERMEDIATE | 1 | ALL MODELS | 11526-20 | Aluminum |
| 70 & 90 | DIAPHRAGM ROD ASSEMBLY | 1 | ALL MODELS | 35005-00 | Stainless Steel |
| 80 | PILOT SLEEVE | 1 | ALL MODELS | 10105-31 Δ | Acetel |
| 100 | INNER SPACER (PILOT SLEEVE) | 3 | ALL MODELS | 10203-40 Δ | Polypropylene |
| 110 | O-RING (PILOT SLEEVE) | 4 | ALL MODELS | 11920-16 Δ | Urethane |
| 120 | END SPACER (PILOT SLEEVE) | 2 | ALL MODELS | 10209-40 Δ | Polypropylene |
| 130 | O-RING (END SPACER) | 2 | ALL MODELS | 11923-16 Δ | Urethane |
| 140 | LIP SEAL (DIAPHRAGM ROD) | 2 | ALL MODELS | 12000-76 Δ | Nitrile |
| 150 | RETAINING PLATE | 2 | ALL MODELS | 12718-54 | Nylon |
| 160 | BUMPER | 2 | ALL MODELS | 12325-16 | Urethane |
| 170 | INNER DIAPHRAGM PLATE | 2 | ALL MODELS | 11104-25 | Plated Steel |
| 181 | DIAPHRAGM | 2 | S100-*A*-N***-*** | 10612-11 | Buna-N |
| | | | S100-*A*-V***-*** | 10612-13 | Viton®/FKM |
| | | | S100-*A*-E***-*** | 10612-15 | EPDM |
| | | | S100-*A*-G***-*** | 10612-19 | Geolast® |
| | | | S100-*A*-S***-*** | 10612-23 | Santoprene® |
| 182 | DIAPHRAGM, BACKUP (PTFE ONLY) | 2 | A100-*A*-T***-*** | 10613-23 | Santoprene® |
| 190 | PTFE OVERLAY (PTFE ONLY) | 2 | A100-*A*-T***-*** | 11409-59 | PTFE |
| 200&210 | OUTER DIAPHRAGM PLATE W/ STUD | 2 | S100-*AA-****-*** | 11220-20 | Aluminum |
| | | | S100-*A3-****-*** | 11220-26 | Stainless Steel |
| 220 | SUCTION MANIFOLD | 1 | S100-NAA-****-0** | 11311-20-NPT | Aluminum |
| | | | S100-BAA-****-0** | 11311-20-BSPT | Aluminum |
| | | | S100-NA3-****-0** | 11311-26-NPT | Stainless Steel |
| | | | S100-BA3-****-0** | 11311-26-BSPT | Stainless Steel |
| 230 | AIR VALVE GASKET | 1 | ALL MODELS | 12125-19 ‡ | Nitrile |
| 240 | SHUTTLE PLATE | 1 | ALL MODELS | 10451-77 ‡ | Ceramic |
| 250 | SHUTTLE | 1 | ALL MODELS | 10431-32 ‡ | Special |
| 260 | AIR VALVE BODY | 1 | ALL MODELS | 11619-20 ‡ | Aluminum |
| 270 | AIR VALVE SPOOL | 1 | ALL MODELS | 10482-31 ‡ | Acetel |
| 280 | LIP SEAL (AIR VALVE) | 2 | ALL MODELS | 12003-76 ‡ | Nitrile |
| 290 | O-RING (AIR VALVE END PLUG) | 1 | ALL MODELS | 11913-11 ‡ | Nitrile |



PARTS LIST - ALUMINUM & STAINLESS STEEL

S100-*A*-****-***

| ITEM | DESCRIPTION | QTY | PUMP MODEL | PART NO. | MATERIAL |
|------|---|-----|-------------------|---------------|-----------------|
| 300 | AIR VALVE END PLUG | 1 | ALL MODELS | 11706-20 ‡ | Aluminum |
| 310 | MUFFLER | 1 | ALL MODELS | 13001-00 | Standard |
| | MUFFLER (METAL) | | OPTIONAL | 13009-00 | Metal |
| 320 | N/A | | | | |
| 330 | PIPE PLUG | 2 | S100-NAA-****-0** | 12265-20-NPT | Aluminum |
| | | | S100-BAA-****-0** | 12265-20-BSPT | Aluminum |
| | | | S100-NA3-****-0** | 12265-26-NPT | Stainless Steel |
| | | | S100-BA3-****-0** | 12265-26-BSPT | Stainless Steel |
| 340 | SCREW, FLAT HEAD (#6-32 X 7/16") | 6 | ALL MODELS | 12578-26 | Stainless Steel |
| 351 | SCREW, HEX HEAD CAP (1/4"-20 X 3") | 4 | S100-*AA-****-*** | 12516-25 | Plated Steel |
| | | | S100-*A3-****-*** | 12516-26 | Stainless Steel |
| 352 | SCREW, HEX HEAD CAP (5/16"-18 X 1-1/2") | 24 | S100-*AA-****-*** | 12584-25 | Plated Steel |
| | | | S100-*A3-****-*** | 12584-26 | Stainless Steel |
| 360 | NUT, HEX FLANGE (5/16"-18) | 24 | S100-*AA-****-*** | 12608-25 | Plated Steel |
| | | | S100-*A3-****-*** | 12608-26 | Stainless Steel |
| 371 | WASHER, LOCK (1/4") | 4 | S100-*AA-****-*** | 12350-25 | Plated Steel |
| | | | S100-*A3-****-*** | 12350-26 | Stainless Steel |
| 372 | WASHER, SPLIT LOCK (5/16") | 24 | S100-*AA-****-*** | 12313-25 | Plated Steel |
| | | | S100-*A3-****-*** | 12313-26 | Stainless Steel |
| 381 | WASHER (1/4") | 4 | S100-*AA-****-*** | 12300-25 | Plated Steel |
| | | | S100-*A3-****-*** | 12300-26 | Stainless Steel |
| 382 | WASHER (5/16") | 24 | S100-*AA-****-*** | 12310-25 | Plated Steel |
| | | | S100-*A3-****-*** | 12310-26 | Stainless Steel |
| 400 | GROUNDING LUG (NOT SHOWN) | 1 | OPTIONAL | 13481-20 | Aluminum |
| | Magnalube® .75 oz. (As Required) | | ALL MODELS | 13404-00 | Grease |

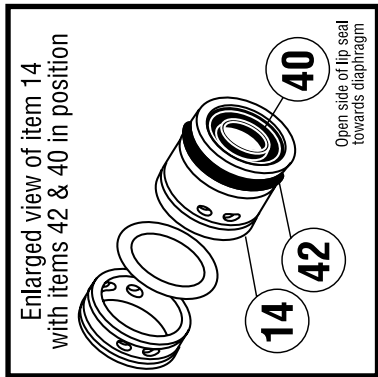
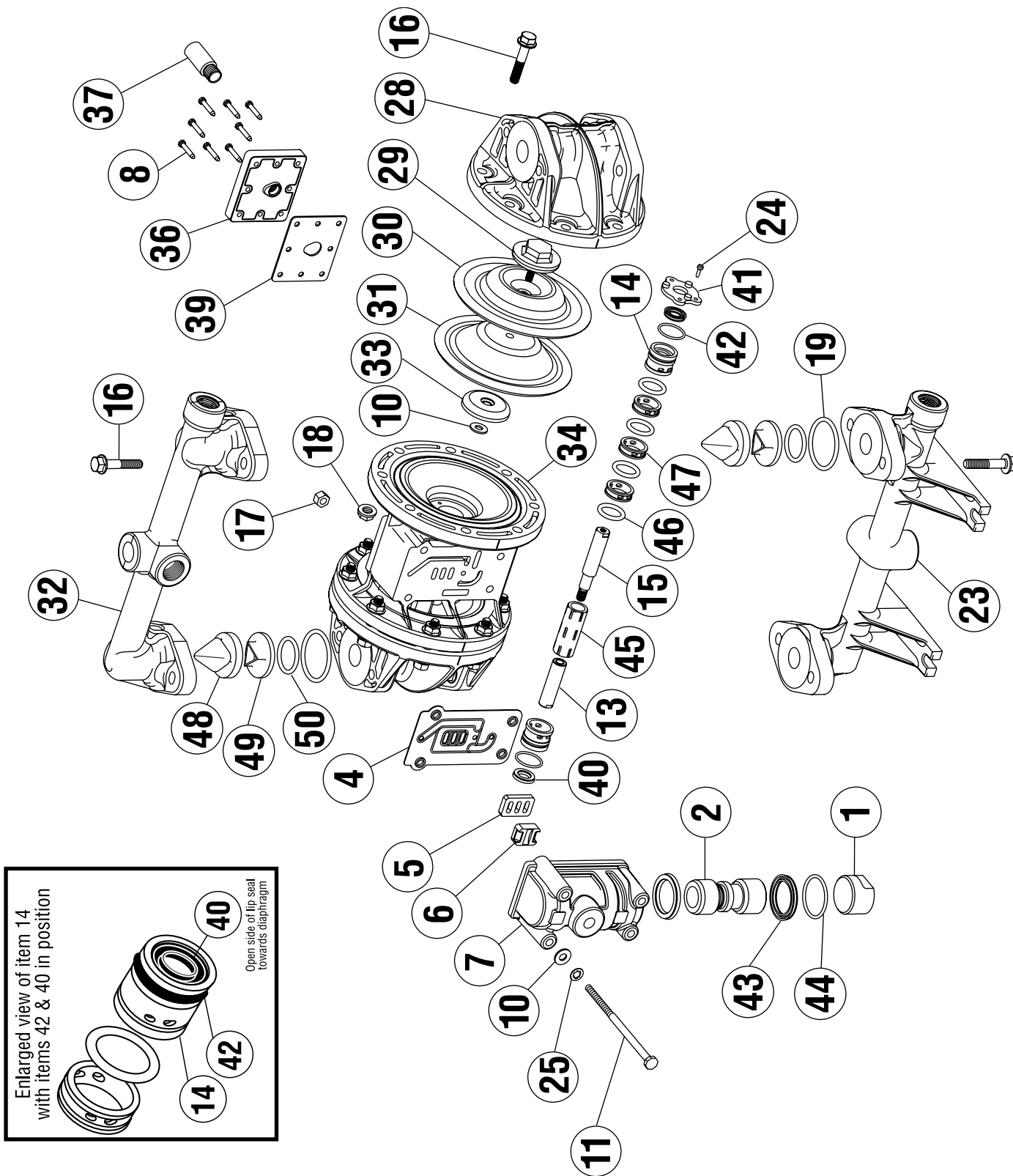
* Any Character

‡, Δ Only sold as part of assembly

| ASSEMBLY PART NUMBERS | PUMP MODEL | PART NO. | MATERIAL |
|--|------------|-----------|----------|
| ‡ AIR VALVE ASSEMBLY 230, 240, 250, 260, 270, 280, 290, 300 | ALL MODELS | SMK-100-A | Various |
| Δ PILOT SEEVE ASSEMBLY 80, 100, 110, 120, 130, 140 | ALL MODELS | SPK-100-A | Various |

EXPLODED VIEW & PARTS LIST

S050-SP*-****-*** PLASTIC SOLIDS



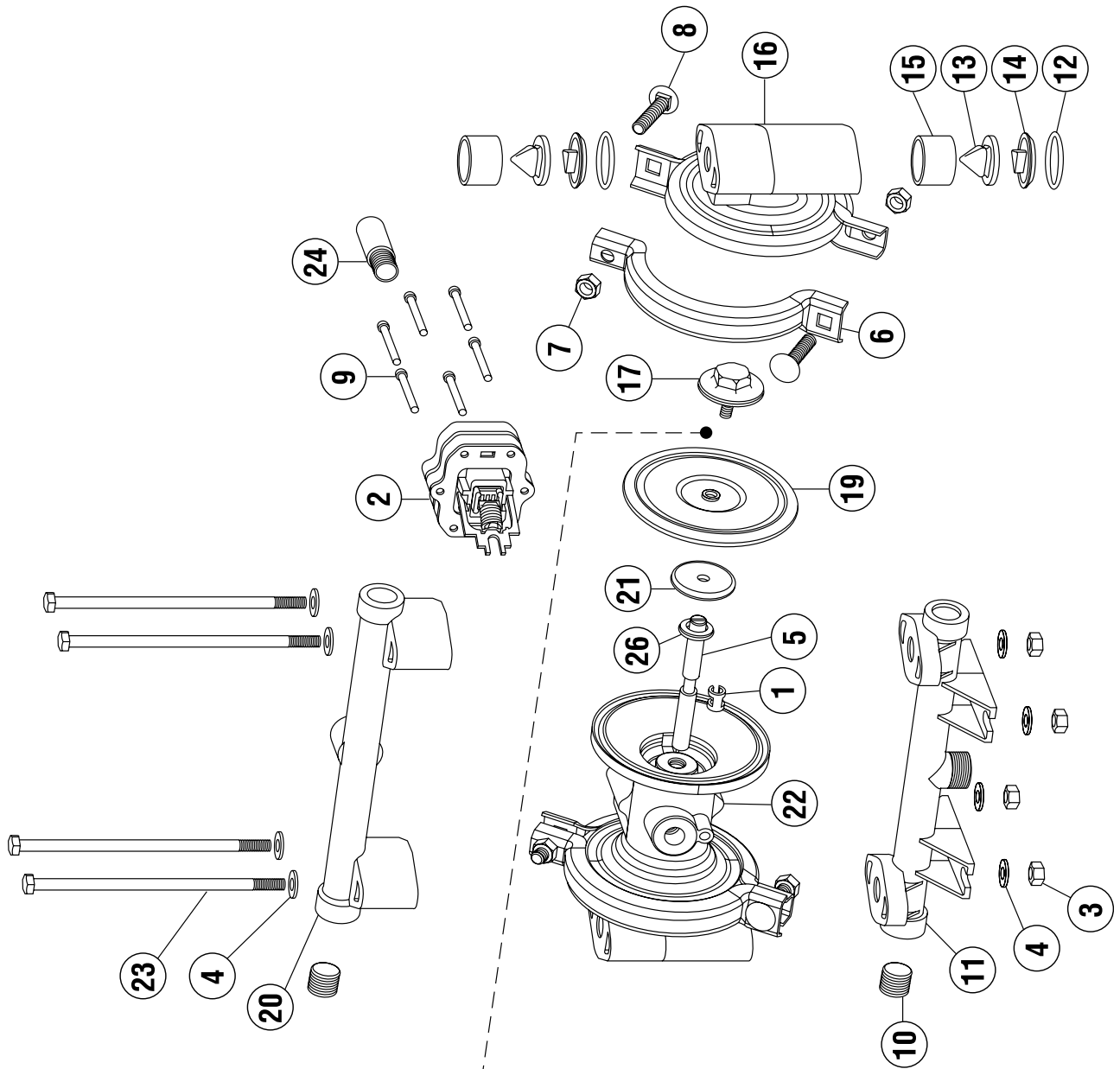
PARTS LIST - PLASTIC SOLIDS

S050-SP*-***-***

| ITEM | DESCRIPTION | QTY | PUMP MODEL | PART NO. | MATERIAL |
|------|----------------------------|-----|--|--|--|
| 1 | AIR VALVE END PLUG | 1 | ALL MODELS | 11703-60 | Polypropylene |
| 2 | AIR VALVE SPOOL | 1 | ALL MODELS | 10480-31 | Acetal |
| 4 | AIR VALVE GASKET | 1 | ALL MODELS | 12116-19 | Nitrile |
| 5 | SHUTTLE PLATE | 1 | ALL MODELS | 10416-77 | Ceramic |
| 6 | SHUTTLE | 1 | ALL MODELS | 10415-00 | Special |
| 7 | AIR VALVE BODY | 1 | ALL MODELS | 11614-60 | Polypropylene |
| 8 | SLT WSHD SCREW (#8 X 1") | 8 | ALL MODELS (NON-PTFE COATED) | 12525-26 | Stainless Steel |
| 10 | FLAT WASHER (1/4") | 6 | ALL MODELS (NON-PTFE COATED) | 12300-26 | Stainless Steel |
| 11 | CAP SCREW (1/4" X 4-1/2") | 4 | ALL MODELS (NON-PTFE COATED) | 12513-26 | Stainless Steel |
| 13 | DIAPHRAGM ROD (Short) | 1 | ALL MODELS | *SEE NOTE | Stainless Steel |
| 14 | END SPACER (Pilot Sleeve) | 2 | ALL MODELS | 10204-40 | Polypropylene |
| 15 | DIAPHRAGM ROD (Long) | 1 | ALL MODELS | *SEE NOTE | Stainless Steel |
| 16 | FLNG BOLT (5/16" X 1-5/8") | 24 | ALL MODELS (NON-PTFE COATED) | 12539-26 | Stainless Steel |
| 17 | HEX NUT (1/4" - 20) | 4 | ALL MODELS (NON-PTFE COATED) | 12600-26 | Stainless Steel |
| 18 | FLNG HEX NUT (5/16" - 18) | 24 | ALL MODELS (NON-PTFE COATED) | 12608-26 | Stainless Steel |
| 19 | O-RING (Manifolds) | 4 | S050-SP*-***N-*** S050-SP*-***V-*** S050-SP*-***E-*** S050-SP*-***T-*** | 11936-11 11936-13 11936-15 11936-17 | Nitrile Viton®/FKM EPDM PTFE |
| 23 | SUCTION MANIFOLD | 1 | S050-SPP-***-*** S050-SPY-***-*** S050-SPK-***-*** | 10553-40 10553-46 10553-56 | Polypropylene Conductive Nylon PVDF |
| 24 | SELF TAP SCREW (#6 X 1/2") | 6 | ALL MODELS | 12510-26 | Stainless Steel |
| 25 | LOCK WASHER (1/4") | 4 | ALL MODELS (NON-PTFE COATED) | 12350-26 | Stainless Steel |
| 28 | OUTER CHAMBER | 2 | S050-SPP-***-*** S050-SPY-***-*** S050-SPK-***-*** | 10722-40 10722-46 10722-56 | Polypropylene Conductive Nylon PVDF |
| 29 | OUTER DIAPHRAGM PLATE | 2 | S050-SPP-***-*** S050-SPY-***-*** S050-SPK-***-*** | 11200-40 11200-46 11200-56 | Polypropylene Conductive Nylon PVDF |
| 30 | OVERLAY (PTFE ONLY) | 2 | S050-SP*-T***-*** | 11400-59 | PTFE |
| 31 | DIAPHRAGM | 2 | S050-SP*-V***-*** S050-SP*-G***-*** S050-SP*-S***-*** S050-SP*-T***-*** | 10600-13 10600-19 10600-23 10600-23 | Viton®/FKM Geolast® Santoprene® Santoprene® |
| 32 | DISCHARGE MANIFOLD | 1 | S050-SPP-***-*** S050-SPY-***-*** S050-SPK-***-*** | 10557-AF-40 10557-AF-46 10557-AF-56 | Polypropylene Conductive Nylon PVDF |
| 33 | INNER DIAPHRAGM PLATE | 2 | S050-SPP-***-*** S050-SPY-***-*** S050-SPK-***-*** | 11100-40 11100-46 11100-56 | Polypropylene Conductive Nylon PVDF |

EXPLODED VIEW & PARTS LIST

S038-SQ*-****-*** PLASTIC SOLIDS



Diaphragm configuration for PTFE pumps.

PTFE Diaphragm requires O-ring.



PARTS LIST - PLASTIC SOLIDS

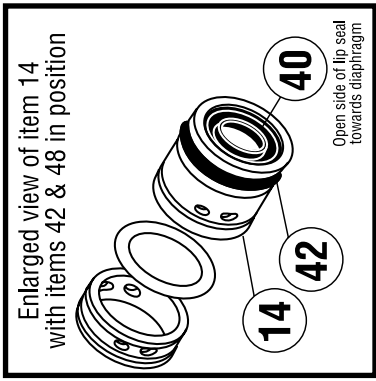
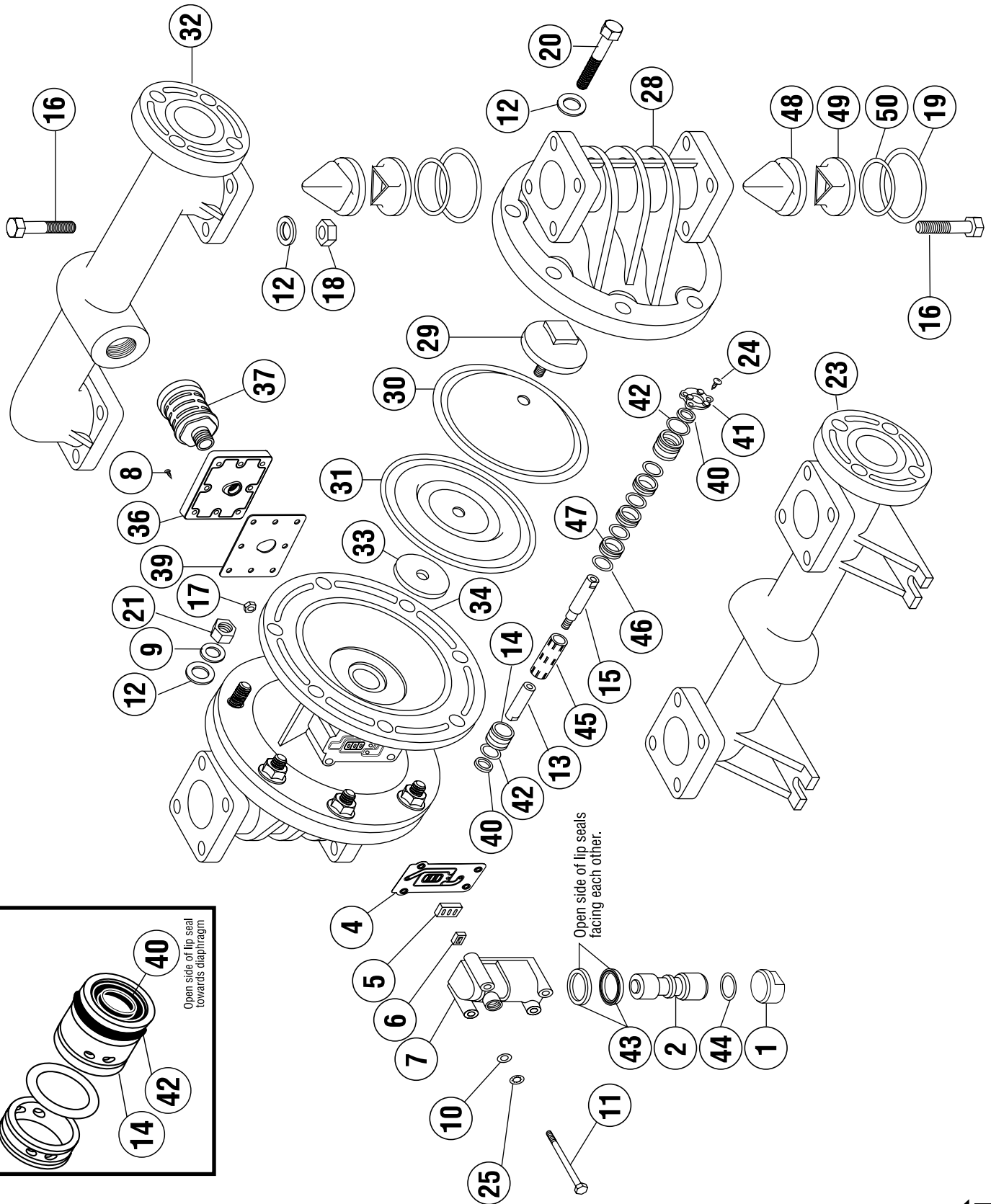
S038-SQ*-****-***

| ITEM | DESCRIPTION | QTY | PUMP MODEL | PART NO. | MATERIAL |
|------|---------------------------------|-----|--|--|---|
| 1 | ROD GUIDE | 1 | ALL MODELS | 12807-31 | Acetal |
| 2 | AIR VALVE ASSEMBLY | 1 | ALL MODELS | 40380-54 | Various |
| 3 | HEX NUT (1/4" - 20) | 4 | ALL MODELS (NON-PTFE COATED) | 12600-26 | Stainless Steel |
| 4 | FLAT WASHER | 8 | ALL MODELS (NON-PTFE COATED) | 12300-26 | Stainless Steel |
| 5 | DIAPHRAGM ROD | 1 | ALL MODELS | 10316-26 | Stainless Steel |
| 6 | CLAMP (Complete with fasteners) | 2 | ALL MODELS (NON-PTFE COATED) | 12913-26 | Stainless Steel |
| 7 | HEX HUT (5/16" - 18) | 4 | ALL MODELS (NON-PTFE COATED) | 12601-26 | Stainless Steel |
| 8 | CARRIAGE BOLT (5/16" x 1-1/2") | 4 | ALL MODELS (NON-PTFE COATED) | 12509-26 | Stainless Steel |
| 9 | SCREW (#8 x 1-3/4") | 6 | ALL MODELS (NON-PTFE COATED) | 12548-26 | Stainless Steel |
| 10 | PIPE PLUG, 3/8" NPT | 2 | S038-SPP-****-*** S038-SPY-****-*** S038-SPK-****-*** | 12206-40 12206-42 12206-56 | Polypropylene Nylon PVDF |
| 11 | SUCTION MANIFOLD | 1 | S038-SPP-****-*** S038-SPY-****-*** S038-SPK-****-*** | 10570-40 10570-46 10570-56 | Polypropylene Conductive Nylon PVDF |
| 12 | O-RING (Valve Seat) | 4 | S038-SP*-***N-*** S038-SP*-***E-*** S038-SP*-***T-*** S038-SP*-***V-*** | 11938-11 11938-15 11938-17 11938-82 | Nitrile EPDM PTFE Viton®/FKM |
| 13 | MAX-PASS™ VALVE | 4 | S038-SP*-*N**_*** S038-SP*-*V**_*** S038-SP*-*E**_*** | 10915-11 10915-13 10915-15 | Nitrile Viton®/FKM EPDM |
| 14 | MAX-PASS™ BACKUP | 4 | S038-SPP-****-*** S038-SPY-****-*** S038-SPK-****-*** | 10916-40 10916-46 10916-56 | Polypropylene Conductive Nylon PVDF |
| 15 | MAX-PASS™ SLEEVE | 4 | S038-SPP-****-*** S038-SPY-****-*** S038-SPK-****-*** | 10917-40 10917-42 10917-56 | Polypropylene Nylon PVDF |
| 16 | OUTER CHAMBER | 2 | S038-SPP-****-*** S038-SPY-****-*** S038-SPK-****-*** | 10701-40 10701-46 10701-56 | Polypropylene Conductive Nylon PVDF |
| 17 | OUTER DIAPHRAGM PLATE | 2 | S038-SPP-****-*** S038-SPY-****-*** S038-SPK-****-*** | 11201-40 11201-46 11201-56 | Polypropylene Conductive Nylon PVDF |
| 18 | DIAPHRAGM (PTFE ONLY) | 2 | S038-SP*-T***-*** | 11401-59 | PTFE |
| 19 | DIAPHRAGM | 2 | S038-SP*-G***-*** S038-SP*-S***-*** | 10601-19 10601-23 | Geolast® Santoprene® |
| 20 | DISCHARGE MANIFOLD | 1 | S038-SPP-****-*** S038-SPY-****-*** S038-SPK-****-*** | 10571-AF-40 10571-AF-46 10571-AF-56 | Polypropylene Conductive Nylon PVDF |
| 21 | INNER DIAPHRAGM PLATE | 2 | ALL MODELS | 11101-25 | Plated Steel |
| 22 | INTERMEDIATE | 1 | ALL MODELS | 11503-60 | Polypropylene |
| 23 | CAP SCREW | 4 | ALL MODELS (NON-PTFE COATED) | 12515-26 | Stainless Steel |
| 24 | MUFFLER | 1 | ALL MODELS | 13008-00 | Polypropylene |
| 25 | O-RING (Diaphragm, PTFE ONLY) | 2 | S038-SP*-T***-*** | 11942-11 | Nitrile |
| 26 | LIP SEAL | 2 | ALL MODELS | 12005-76 | Nitrile |

* Any Character

EXPLODED VIEW & PARTS LIST

S100-**P**-******-***** PLASTIC SOLIDS



PARTS LIST - PLASTIC SOLIDS

S100-*P*-****-***

| ITEM | DESCRIPTION | QTY | PUMP MODEL | PART NO. | MATERIAL |
|------|----------------------------|-----|--|--|--|
| 1 | AIR VALVE END PLUG | 1 | ALL MODELS | 11703-60 | Polypropylene |
| 2 | AIR VALVE SPOOL | 1 | ALL MODELS | 10480-31 | Acetal |
| 4 | AIR VALVE GASKET | 1 | ALL MODELS | 12116-19 | Nitrile |
| 5 | SHUTTLE PLATE | 1 | ALL MODELS | 10416-77 | Ceramic |
| 6 | SHUTTLE | 1 | ALL MODELS | 10415-00 | Special |
| 7 | AIR VALVE BODY | 1 | ALL MODELS | 11614-60 | Polypropylene |
| 8 | SLT WSHR (#8 X 1") SCREW | 8 | ALL MODELS (NON-PTFE COATED) | 12525-26 | Stainless Steel |
| 9 | SPLIT LOCKWASHER (3/8") | 16 | ALL MODELS (NON-PTFE COATED) | 12316-26 | Stainless Steel |
| 10 | FLAT WASHER (1/4") | 4 | ALL MODELS (NON-PTFE COATED) | 12300-26 | Stainless Steel |
| 11 | CAP SCREW (1/4" X 5") | 4 | ALL MODELS (NON-PTFE COATED) | 12512-26 | Stainless Steel |
| 12 | FLAT WASHER (3/8") | 64 | ALL MODELS (NON-PTFE COATED) | 12303-26 | Stainless Steel |
| 13 | DIAPHRAGM ROD (Short) | 1 | ALL MODELS | * | Stainless Steel |
| 14 | END SPACER (Pilot Sleeve) | 2 | ALL MODELS | 10204-40 | Polypropylene |
| 15 | DIAPHRAGM ROD (Long) | 1 | ALL MODELS | * | Stainless Steel |
| 16 | BOLT (5/16" X 2-1/4") | 16 | ALL MODELS (NON-PTFE COATED) | 12547-26 | Stainless Steel |
| 17 | HEX NUT (1/4" - 20) | 4 | ALL MODELS (NON-PTFE COATED) | 12600-26 | Stainless Steel |
| 18 | HEX NUT (5/16" - 18) | 16 | ALL MODELS (NON-PTFE COATED) | 12601-26 | Stainless Steel |
| 19 | O-RING (Manifolds) | 4 | S100-*P*-***N-*** S100-*P*-***E-*** S100-*P*-***T-*** S100-*P*-***V-*** | 11940-11 11940-15 11940-17 11940-82 | Nitrile EPDM PTFE Viton®/FKM |
| 20 | BOLT (3/8" X 2-1/4") | 16 | ALL MODELS (NON-PTFE COATED) | 12544-26 | Stainless Steel |
| 21 | HEX NUT (3/8" - 16) | 16 | ALL MODELS (NON-PTFE COATED) | 12602-26 | Stainless Steel |
| 23 | SUCTION MANIFOLD | 1 | S100-*PP*-****-*** S100-*PK*-****-*** | 10555-40 10555-56 | Polypropylene PVDF |
| 24 | SELF TAP SCREW (#6 X 1/2") | 6 | ALL MODELS | 12510-26 | Stainless Steel |
| 25 | LOCK WASHER | 4 | ALL MODELS | 12350-26 | Stainless Steel |
| 28 | OUTER CHAMBER | 2 | S100-*PP*-****-*** S100-*PK*-****-*** | 10723-40 10723-56 | Polypropylene PVDF |
| 29 | OUTER DIAPHRAGM PLATE | 2 | S100-*PP*-****-*** S100-*PK*-****-*** | 11204-40 11204-56 | Polypropylene PVDF |
| 30 | OVERLAY (PTFE ONLY) | 2 | S100-*P*-T***-*** | 11406-59 | PTFE |
| 31 | DIAPHRAGM | 2 | S100-*P*-V***-*** S100-*P*-G***-*** S100-*P*-S***-*** S100-*P*-T***-*** | 10605-13 10605-19 10605-23 10605-23 | Viton®/FKM Geolast® Santoprene® Santoprene® |
| 32 | DISCHARGE MANIFOLD | 1 | S100-*PP*-****-*** S100-*PK*-****-*** | 10567-40 10567-56 | Polypropylene PVDF |
| 33 | INNER DIAPHRAGM PLATE | 2 | ALL MODELS | 11104-25 | Plated Steel |
| 34 | INTERMEDIATE | 1 | ALL MODELS | 11522-60 | Polypropylene |
| 36 | MUFFLER PLATE | 1 | ALL MODELS | 13111-60 | Polypropylene |

PARTS LIST - BOLTED PLASTIC

S100-*P*-****-****

| ITEM | DESCRIPTION | QTY | PUMP MODEL | PART NO. | MATERIAL |
|------|-----------------------------|-----|---|----------------------------------|-------------------------------|
| 37 | MUFFLER | 1 | ALL MODELS | 13000-00 | Polypropylene |
| 39 | GASKET (Muffler Plate) | 1 | ALL MODELS | 12117-19 | Nitrile |
| 40 | LIP SEAL (Diaphragm Rod) | 2 | ALL MODELS | 12000-76 | Nitrile |
| 41 | RETAINING PLATE | 2 | ALL MODELS | 12708-54 | Polypropylene |
| 42 | O-RING (End Spacer) | 2 | ALL MODELS | 11923-11 | Nitrile |
| 43 | LIP SEAL (Air Valve) | 2 | ALL MODELS | 12003-76 | Nitrile |
| 44 | O-RING (Air Valve End Plug) | 1 | ALL MODELS | 11913-11 | Nitrile |
| 45 | PILOT SLEEVE | 1 | ALL MODELS | 10105-31 | Acetal |
| 46 | O-RING (Pilot Sleeve) | 4 | ALL MODELS | 11920-16 | Urethane |
| 47 | INNER SPACER (Pilot Sleeve) | 3 | ALL MODELS | 10203-40 | Polypropylene |
| 48 | MAX-PASS™ VALVE | 4 | S100-*P*-*N**-* S100-*P*-*E**-* S100-*P*-*V**-* | 10911-11 10911-15 10911-82 | Nitrile EPDM Viton®/FKM |
| 49 | MAX-PASS™ BACK-UP | 4 | S100-*PP-*P*-* S100-*PK-*K*-* | 10912-40 10912-56 | Polypropylene PVDF |
| 50 | O-RING (Max-Pass™ Valve) | 4 | S100-*P*-*N**-* S100-*P*-*E**-* S100-*P*-*V**-* | 11936-11 11936-15 11936-82 | Nitrile EPDM Viton®/FKM |

* Any Character

* NOTE: DIAPHRAGM ROD CAN ONLY BE PURCHASED AS AN ASSEMBLY.

| | | | | |
|---|---|------------|----------|-----------------|
| DIAPHRAGM ROD ASSEMBLY Items 13 & 15 | 1 | ALL MODELS | 32000-00 | Stainless Steel |
|---|---|------------|----------|-----------------|

OPTIONAL ASSEMBLIES AVAILABLE

| | | | | |
|--|---|------------|-----------|---------|
| AIR VALVE ASSEMBLY Items 1, 2, 4, 5, 6, 7, 43, 44 | 1 | ALL MODELS | SMK-100-P | Various |
|--|---|------------|-----------|---------|

| | | | | |
|--|---|------------|-----------|---------|
| PILOT VALVE ASSEMBLY Items 14, 40, 42, 45, 46, 47 | 1 | ALL MODELS | SPK-100-P | Various |
|--|---|------------|-----------|---------|